



US00D865221S

(12) **United States Design Patent**  
**Deen et al.**

(10) **Patent No.:** **US D865,221 S**  
(45) **Date of Patent:** **\*\* Oct. 29, 2019**

(54) **BARRICADE**

- (71) Applicant: **CENTRAL PARK CONSERVANCY, INC.**, New York, NY (US)
- (72) Inventors: **Anthony Deen**, Brooklyn, NY (US);  
**Douglas Blonsky**, New York, NY (US)
- (73) Assignee: **Central Park Conservancy, Inc.**, New York, NY (US)

(\*\*) Term: **15 Years**

(21) Appl. No.: **29/554,546**

(22) Filed: **Feb. 12, 2016**

(51) **LOC (12) Cl.** ..... **25-02**

(52) **U.S. Cl.**  
USPC ..... **D25/38.1**

(58) **Field of Classification Search**  
USPC ..... D25/38.1, 39, 42, 43; 49/9, 34, 49;  
119/510; 256/26, 59, 73, DIG. 6  
CPC ..... E01F 13/022; E01F 9/70; E04H 17/18  
See application file for complete search history.

(56) **References Cited**

**U.S. PATENT DOCUMENTS**

5,213,312 A *	5/1993	MacDonald	.....	E01F 13/022	160/351
D385,967 S *	11/1997	Junell	.....	D25/38.1	
D620,608 S *	7/2010	Deneyer	.....	D25/38.1	
D646,399 S *	10/2011	Deneyer	.....	D25/38.1	
D665,920 S *	8/2012	Glaser	.....	D25/48.5	
2012/0261632 A1 *	10/2012	Bertucat	.....	E01F 13/022	256/26

**OTHER PUBLICATIONS**

<http://www.landscapeforms.com/en-us/product/pages/Central-Park-Conservancy-Recycling-System.aspx> Available Feb. 6, 2016.\*

\* cited by examiner

*Primary Examiner* — Leanne Was-Englehart

(74) *Attorney, Agent, or Firm* — Ohlandt, Greeley, Ruggiero & Perle, L.L.P.

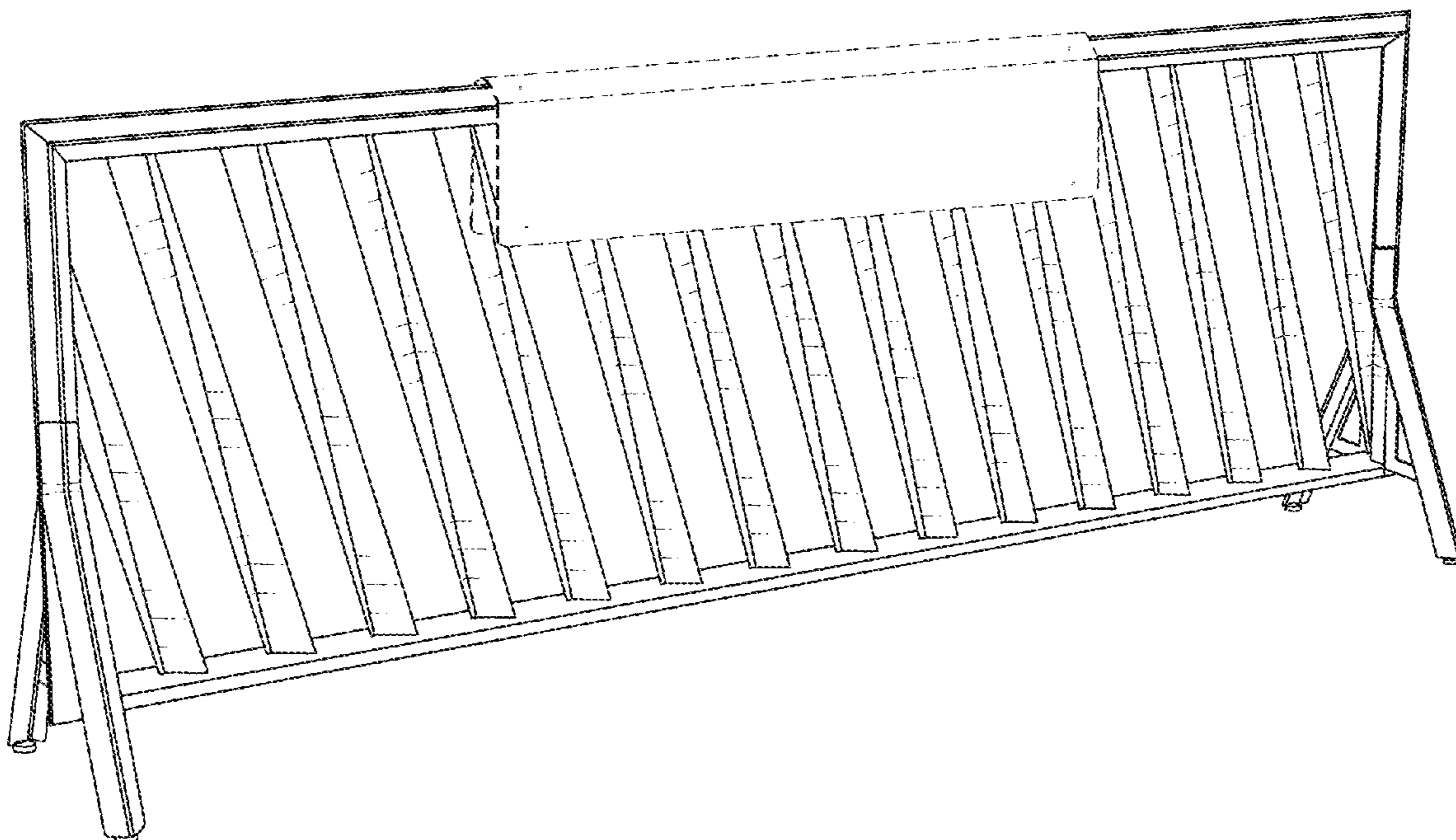
(57) **CLAIM**

The ornamental design for a barricade, as shown and described.

**DESCRIPTION**

FIG. 1 is a front view of a barricade according to the present design;  
 FIG. 2 is a rear view of the barricade of FIG. 1;  
 FIG. 3 is a bottom view of the barricade of FIG. 1;  
 FIG. 4 is a top view of the barricade of FIG. 1;  
 FIG. 5 is a right side view of the barricade of FIG. 1;  
 FIG. 6 is a left side view of the barricade of FIG. 1;  
 FIG. 7 is a top, right perspective view of the barricade of FIG. 1; and,  
 FIG. 8 is a front perspective view of the barricade of FIG. 1.  
 The broken line showing of FIGS. 1-8 is for the purpose of illustrating environmental structure and forms no part of the claimed design.

**1 Claim, 6 Drawing Sheets**



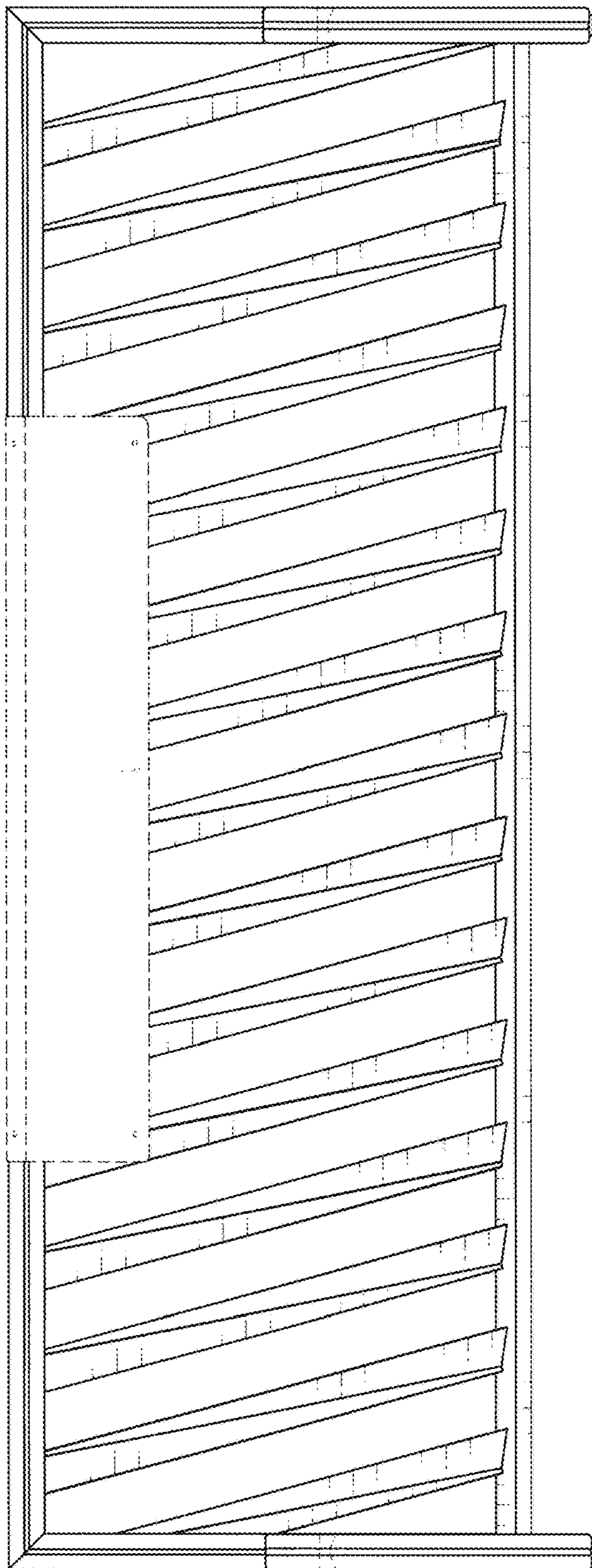


FIG. 1

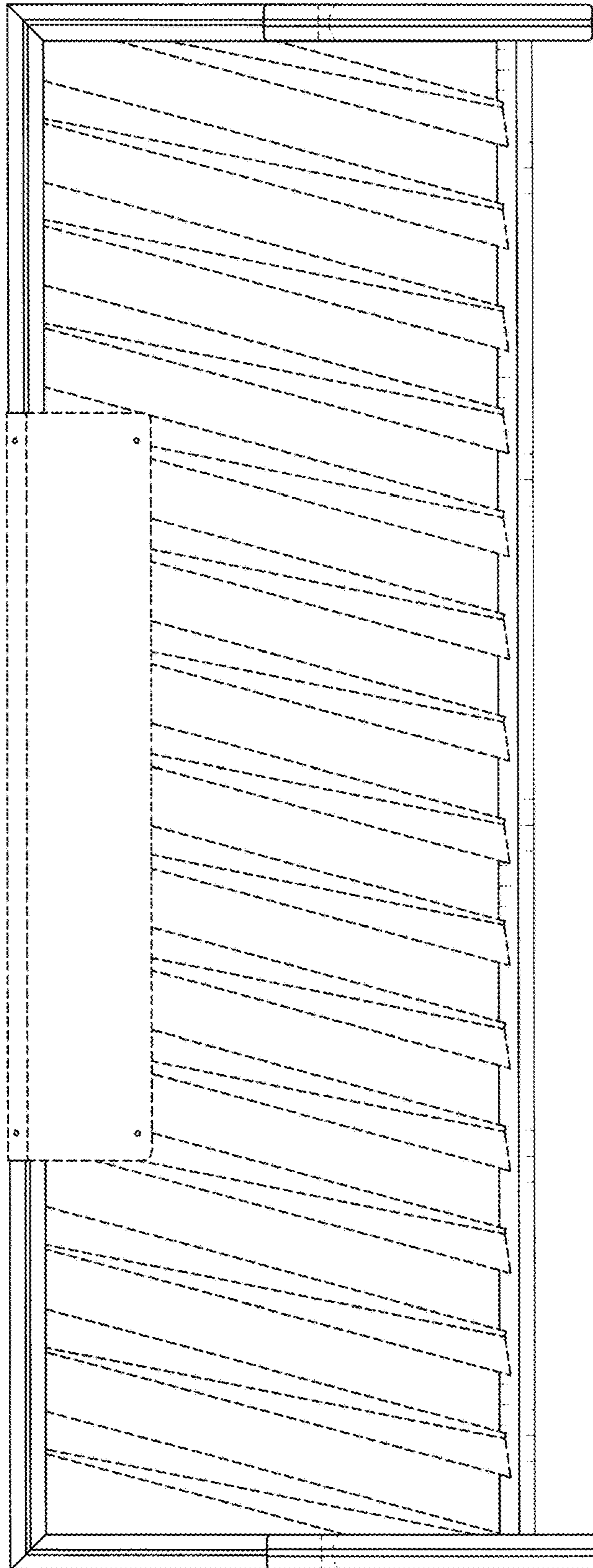


FIG. 2

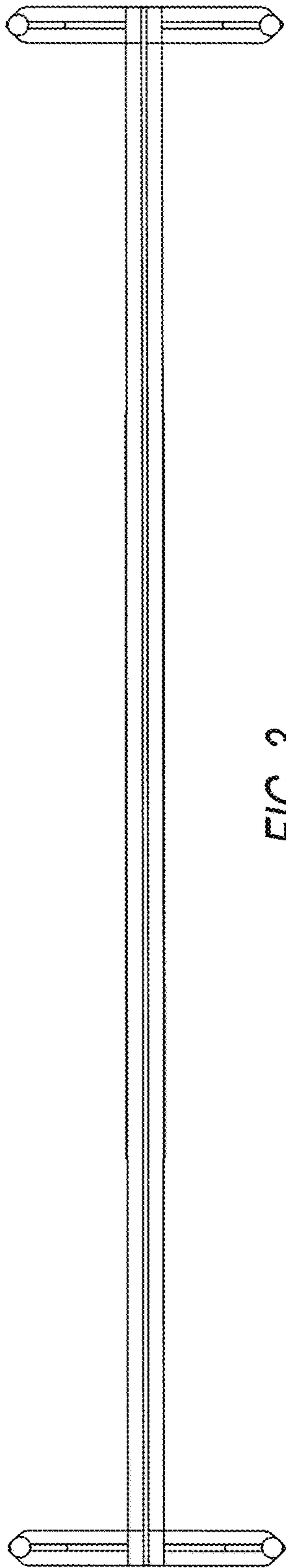


FIG. 3

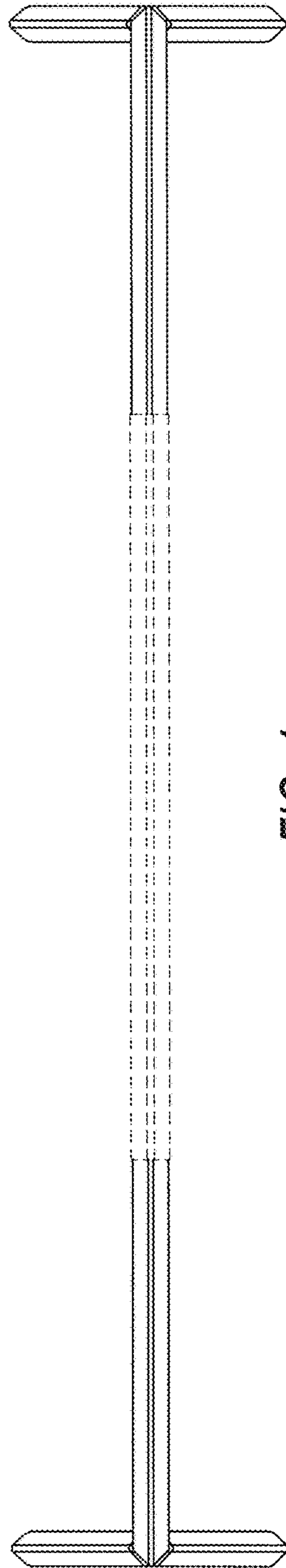


FIG. 4

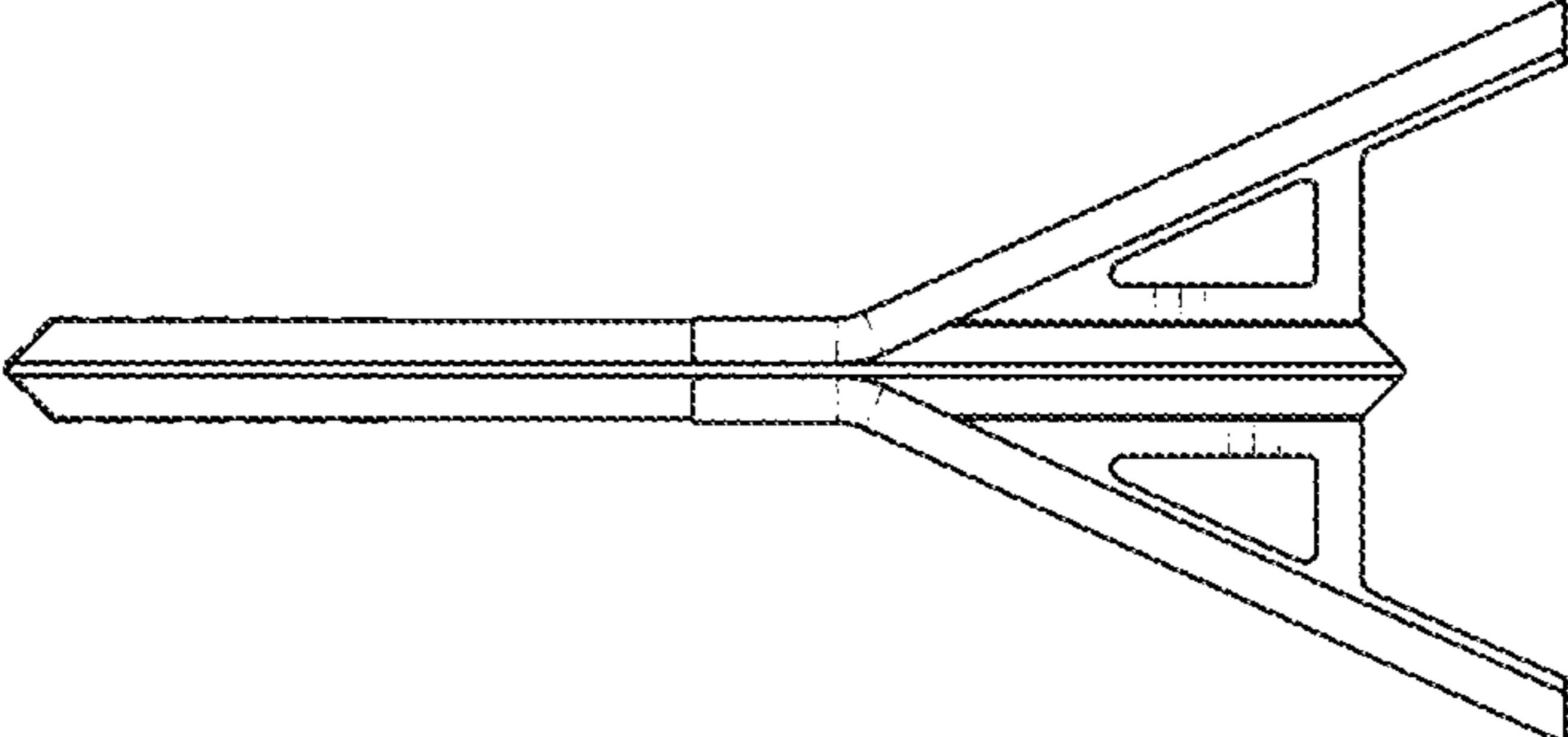


FIG. 6

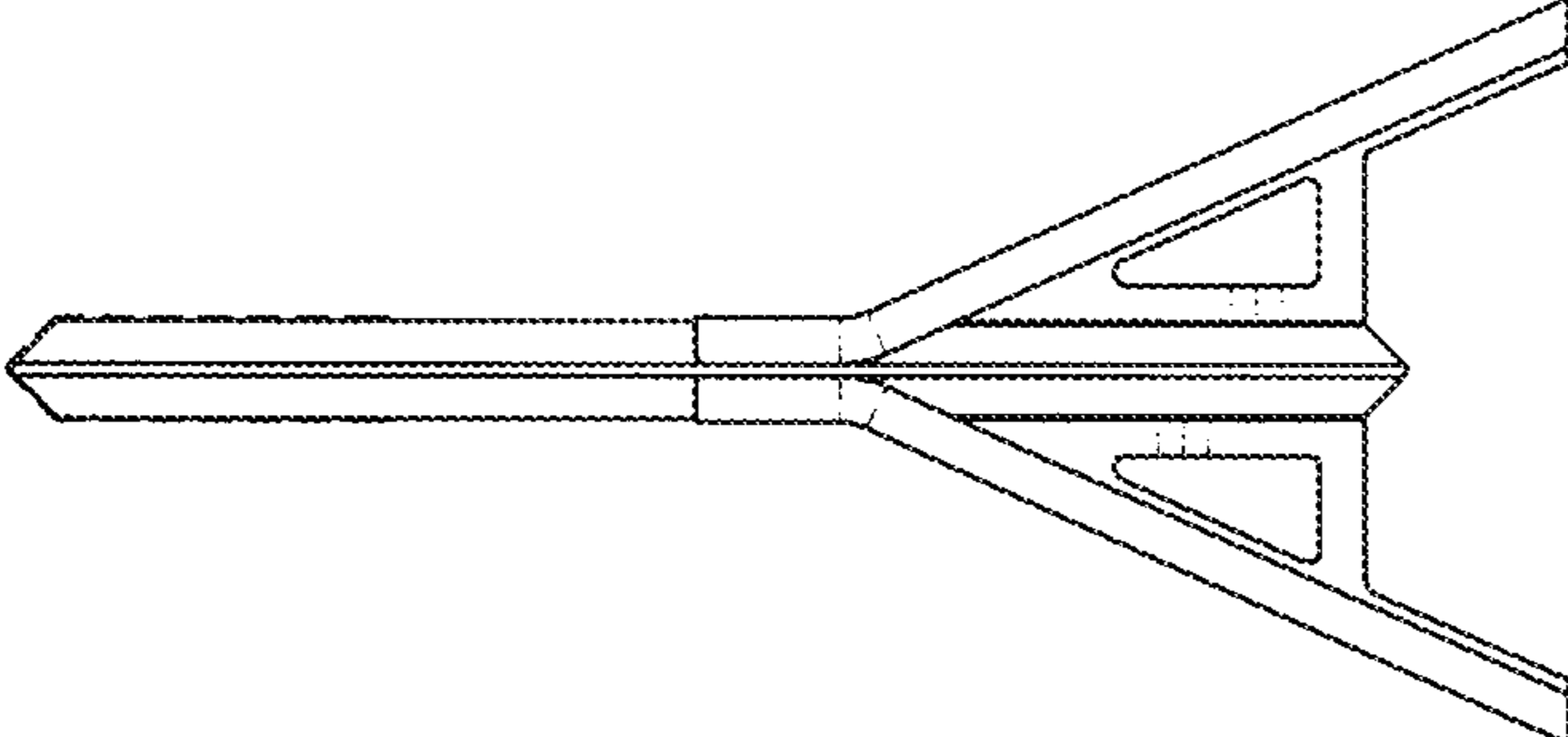


FIG. 5

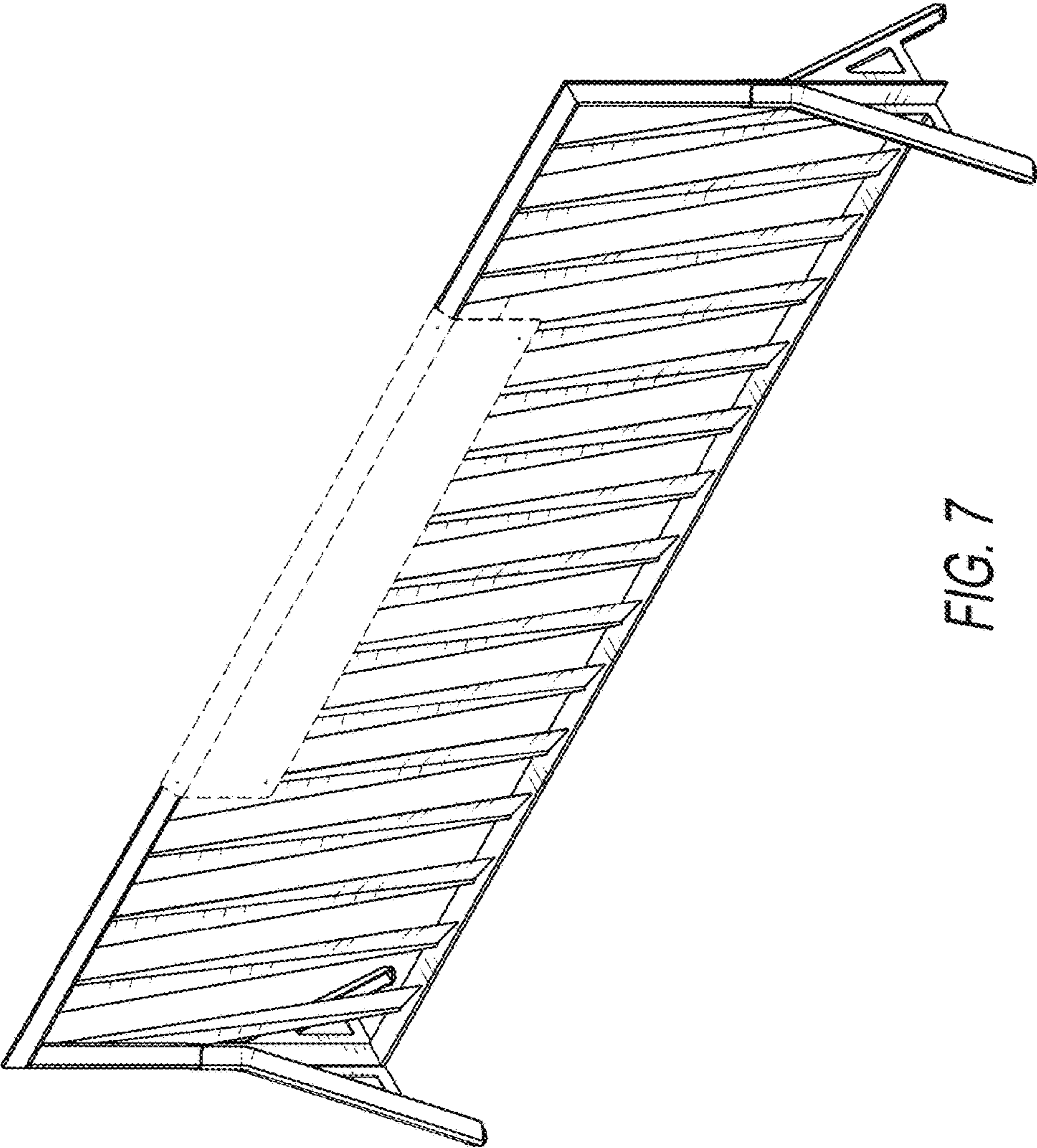


FIG. 7

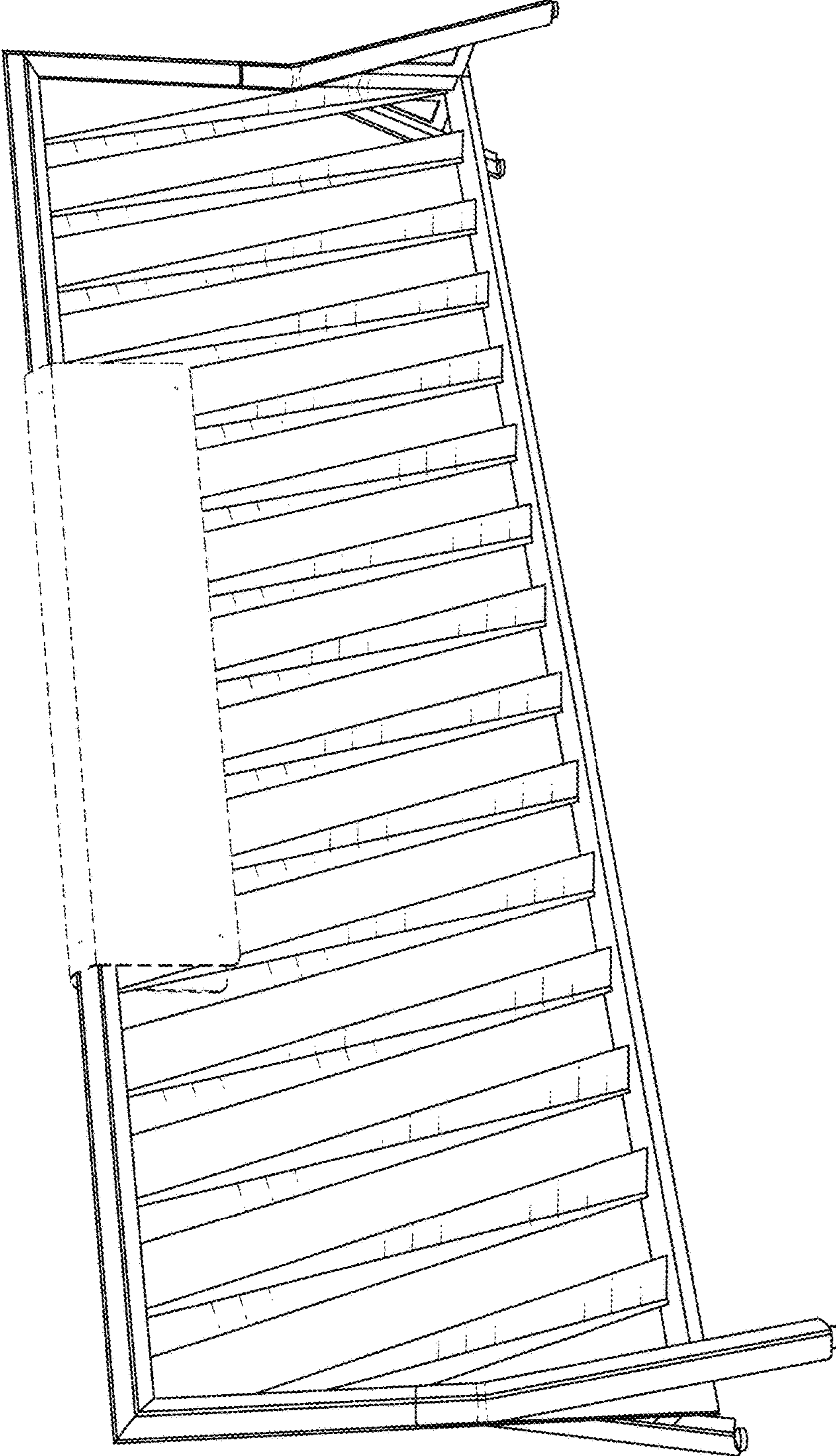


FIG. 8