



US00D865220S

(12) **United States Design Patent** (10) **Patent No.:** **US D865,220 S**
Davidson et al. (45) **Date of Patent:** **** Oct. 29, 2019**

(54) **ANALYTICAL EQUIPMENT**

(71) Applicant: **LIFE TECHNOLOGIES CORPORATION**, Carlsbad, CA (US)

(72) Inventors: **Oliver Davidson**, Burlingame, CA (US); **Sandro Klein**, Irvine, CA (US); **Patrick Leung**, San Bruno, CA (US); **Mark T. Reed**, Menlo Park, CA (US); **David Marran**, Durham, CT (US)

(73) Assignee: **LIFE TECHNOLOGIES CORPORATION**, Carlsbad, CA (US)

(**) Term: **15 Years**

(21) Appl. No.: **29/660,062**

(22) Filed: **Aug. 16, 2018**

(51) **LOC (12) Cl.** **24-01**

(52) **U.S. Cl.**
USPC **D24/232**

(58) **Field of Classification Search**
USPC D24/107, 185, 186, 216, 231-234;
D10/81

CPC G01N 2035/00306; G01N 2035/00326;
G01N 2030/027; G01N 35/1085; G01N
2021/6432; C12Q 1/6869; C12Q 1/6806

See application file for complete search history.

(56) **References Cited**

U.S. PATENT DOCUMENTS

6,086,737 A * 7/2000 Patonay C07D 209/12
204/452
D621,523 S * 8/2010 Onuma D24/234

D702,852 S * 4/2014 Podhasky D24/216
D729,405 S * 5/2015 Ramstad D24/233
D737,702 S * 9/2015 Selberg D10/81
D775,365 S * 12/2016 Mathers D24/232
D828,575 S * 9/2018 Ohno D24/216
D834,724 S * 11/2018 Mathers D24/232
D843,005 S * 3/2019 Kobeli D24/216

* cited by examiner

Primary Examiner — Anhdao Doan

(57) **CLAIM**

The ornamental design for an analytical equipment, as shown and described.

DESCRIPTION

FIG. 1 is a perspective view of analytical equipment showing the new design;

FIG. 2 is a front view thereof;

FIG. 3 is a back view thereof;

FIG. 4 is a side view thereof;

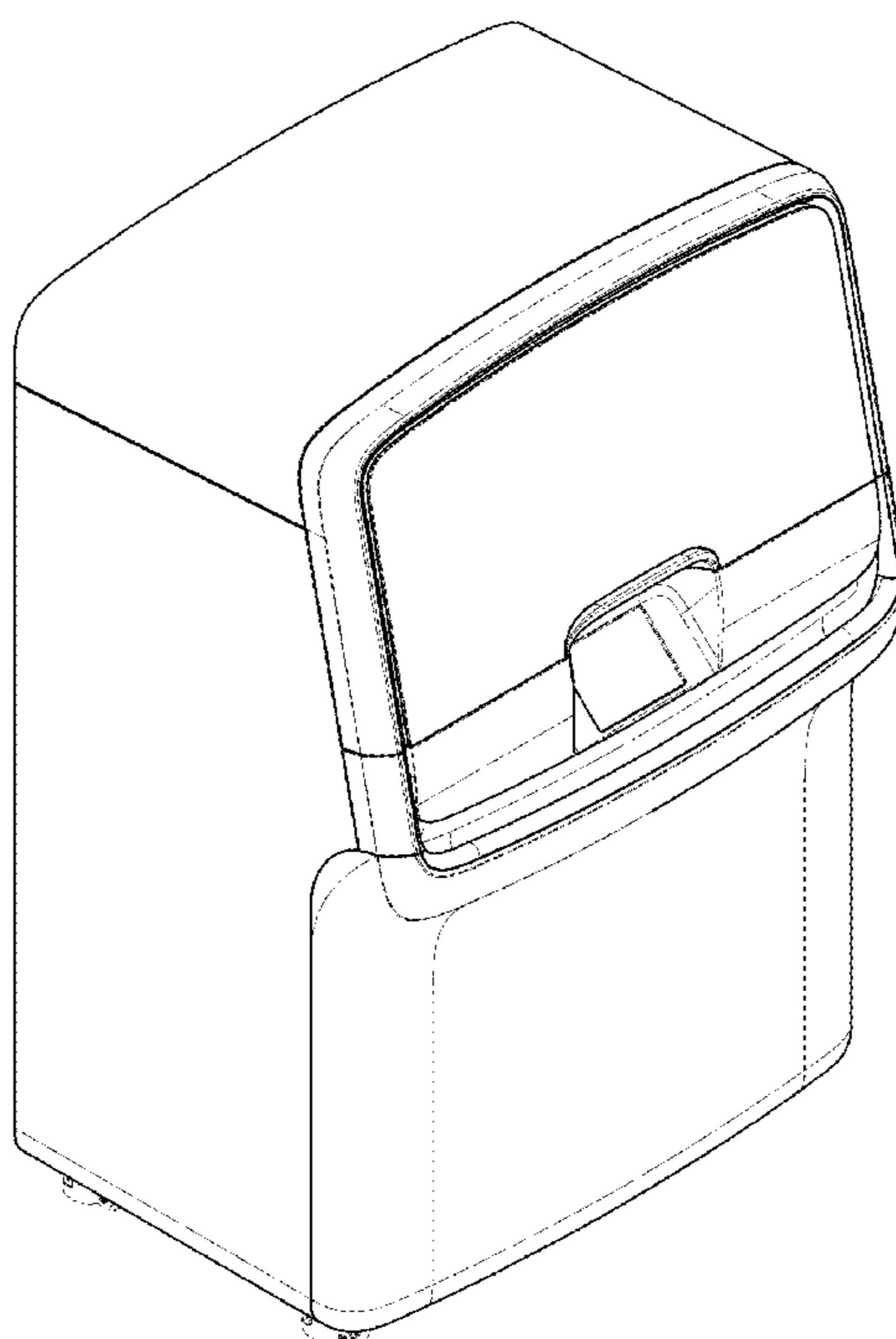
FIG. 5 is another side view thereof;

FIG. 6 is a top view thereof; and,

FIG. 7 is a bottom view thereof.

The broken lines show vents or wheels for the purposes of illustrating environment and form no part of the claimed design.

1 Claim, 6 Drawing Sheets



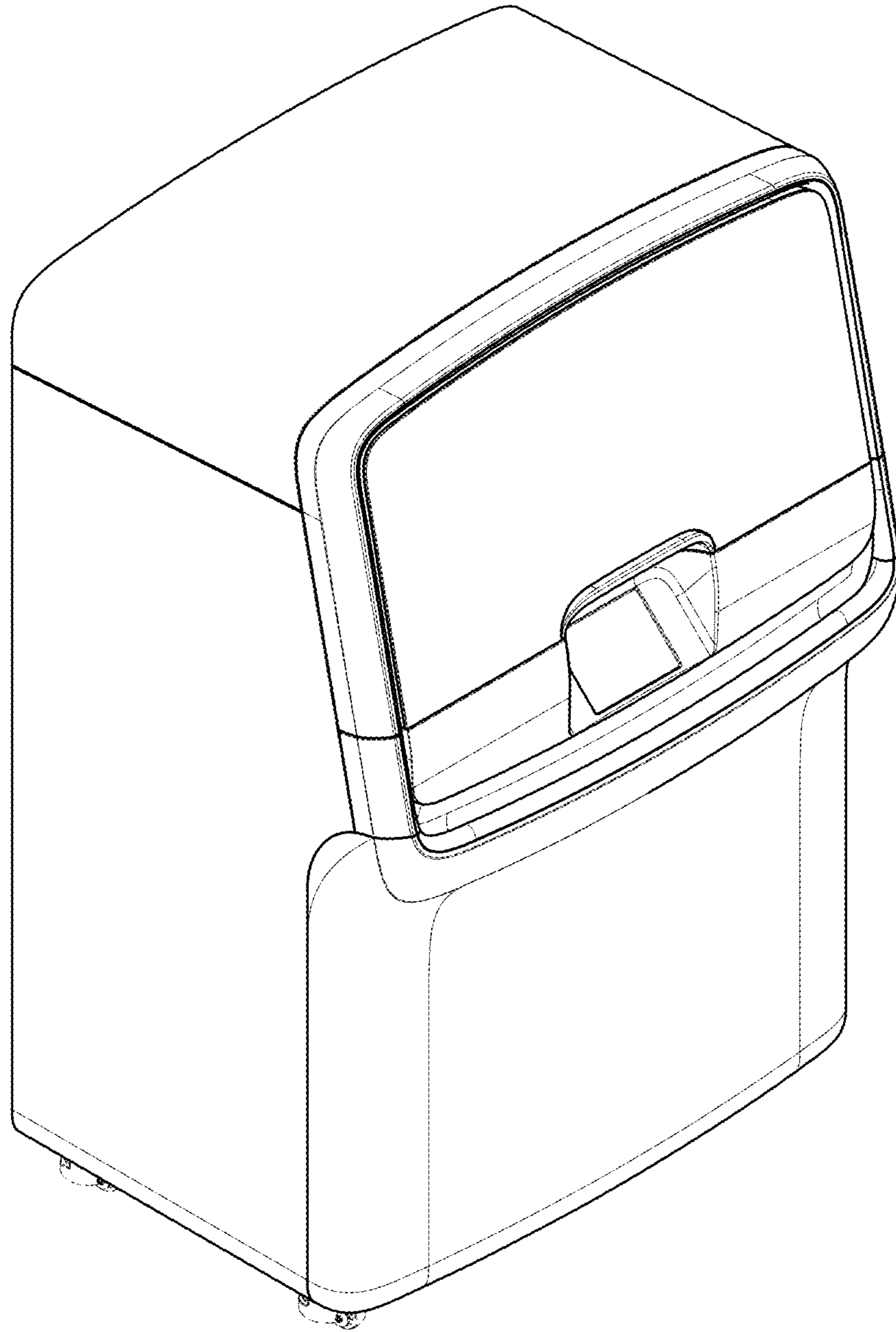


FIG. 1

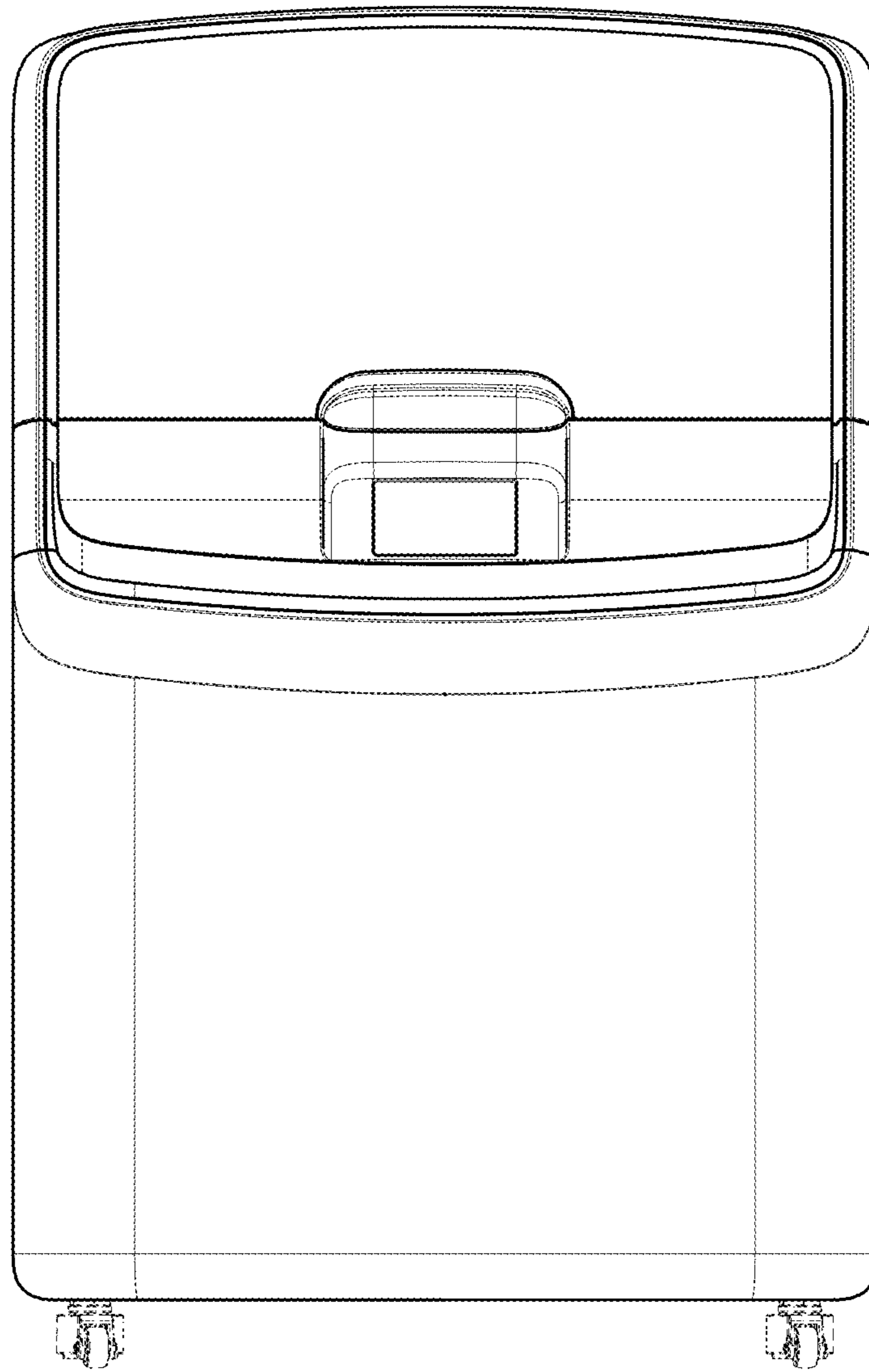


FIG. 2

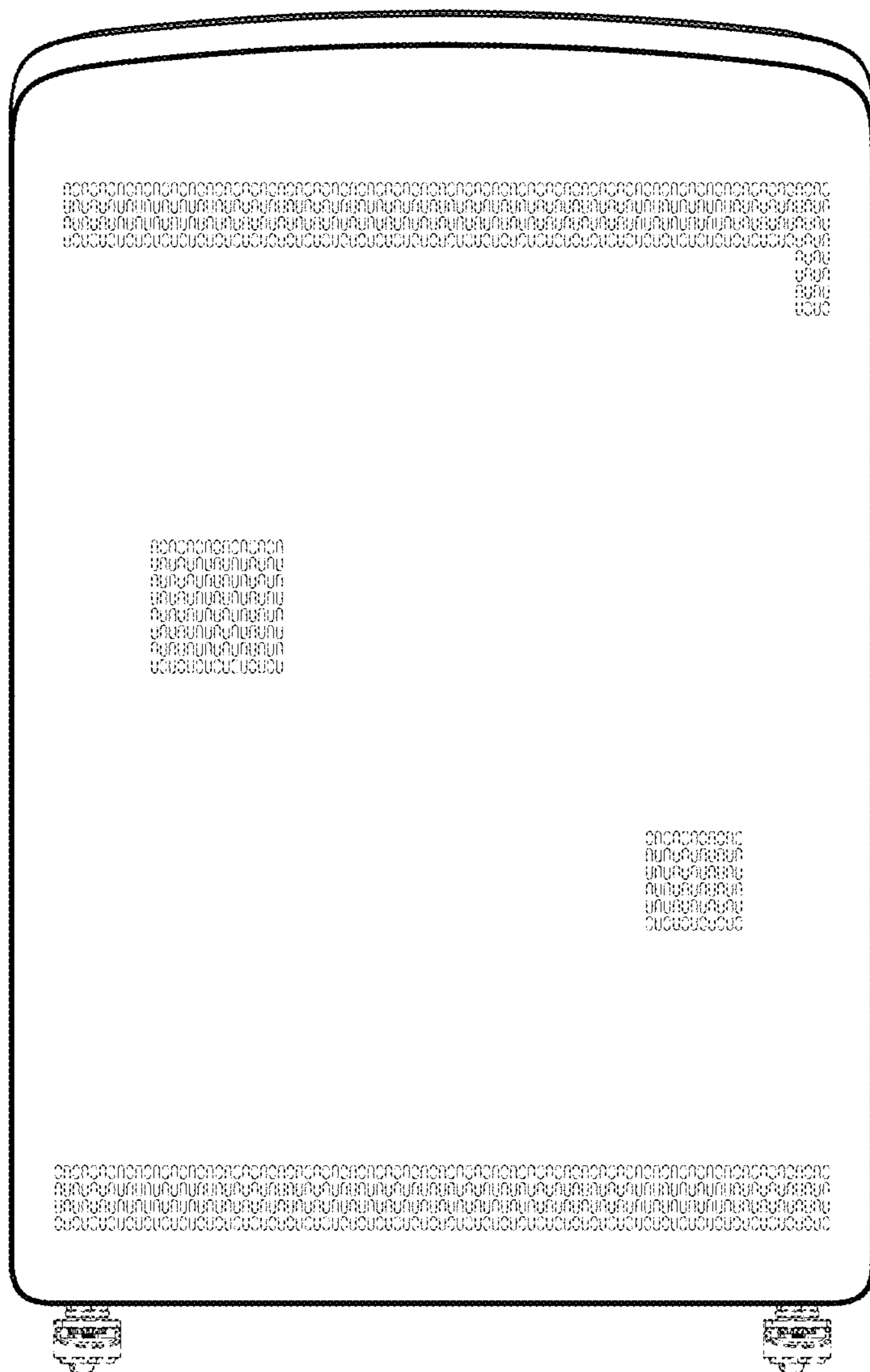


FIG. 3

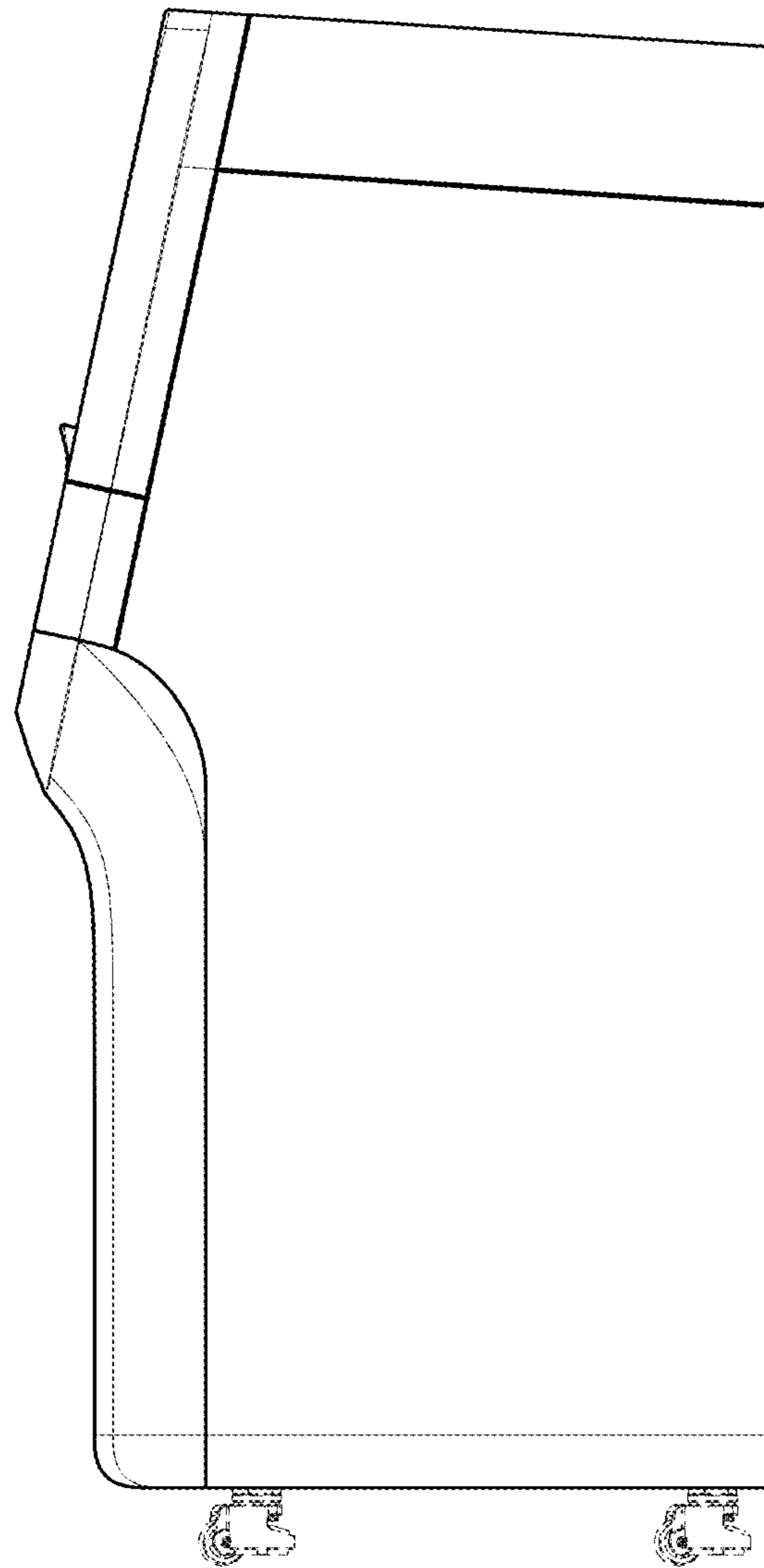


FIG. 4

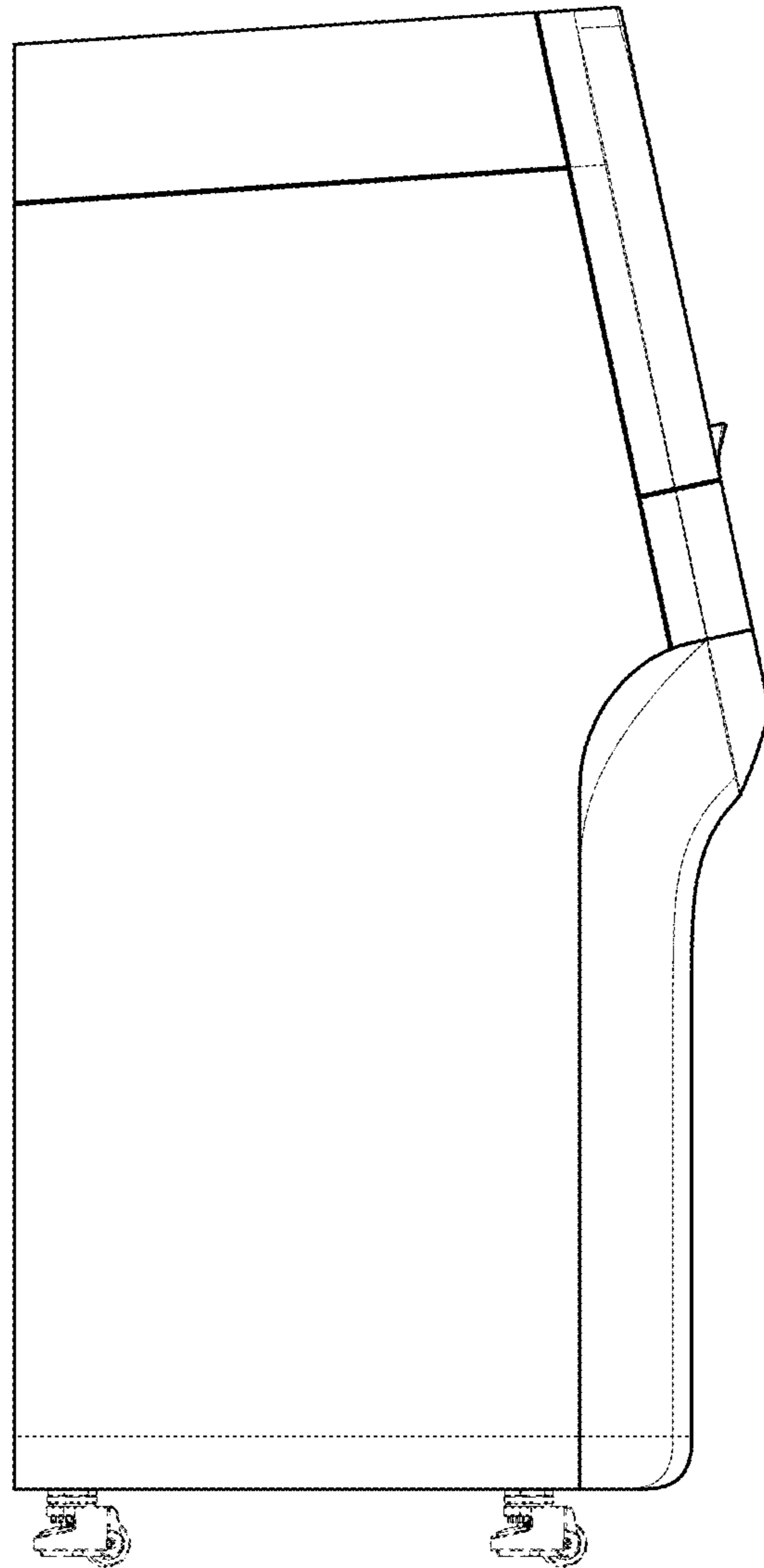


FIG. 5

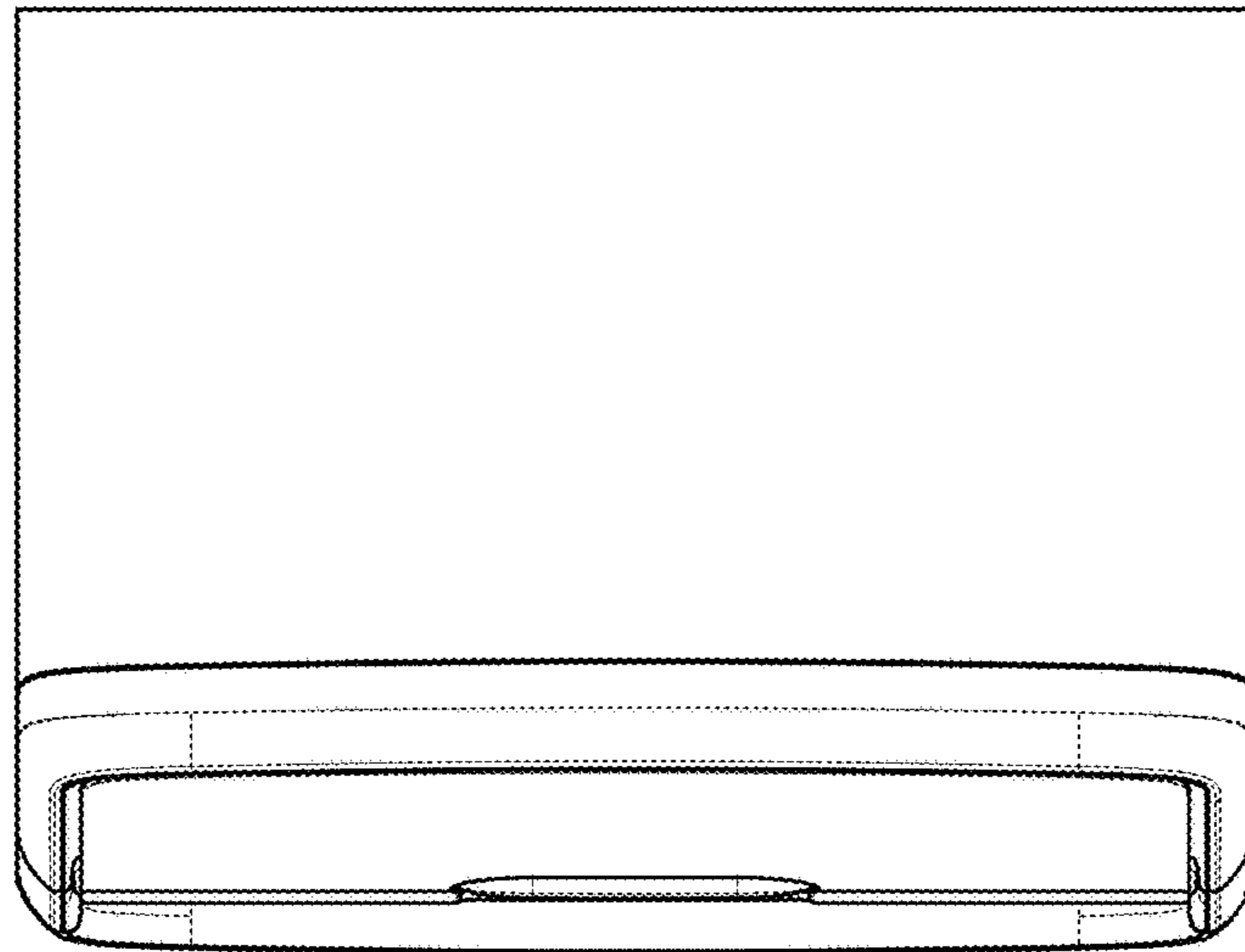


FIG. 6

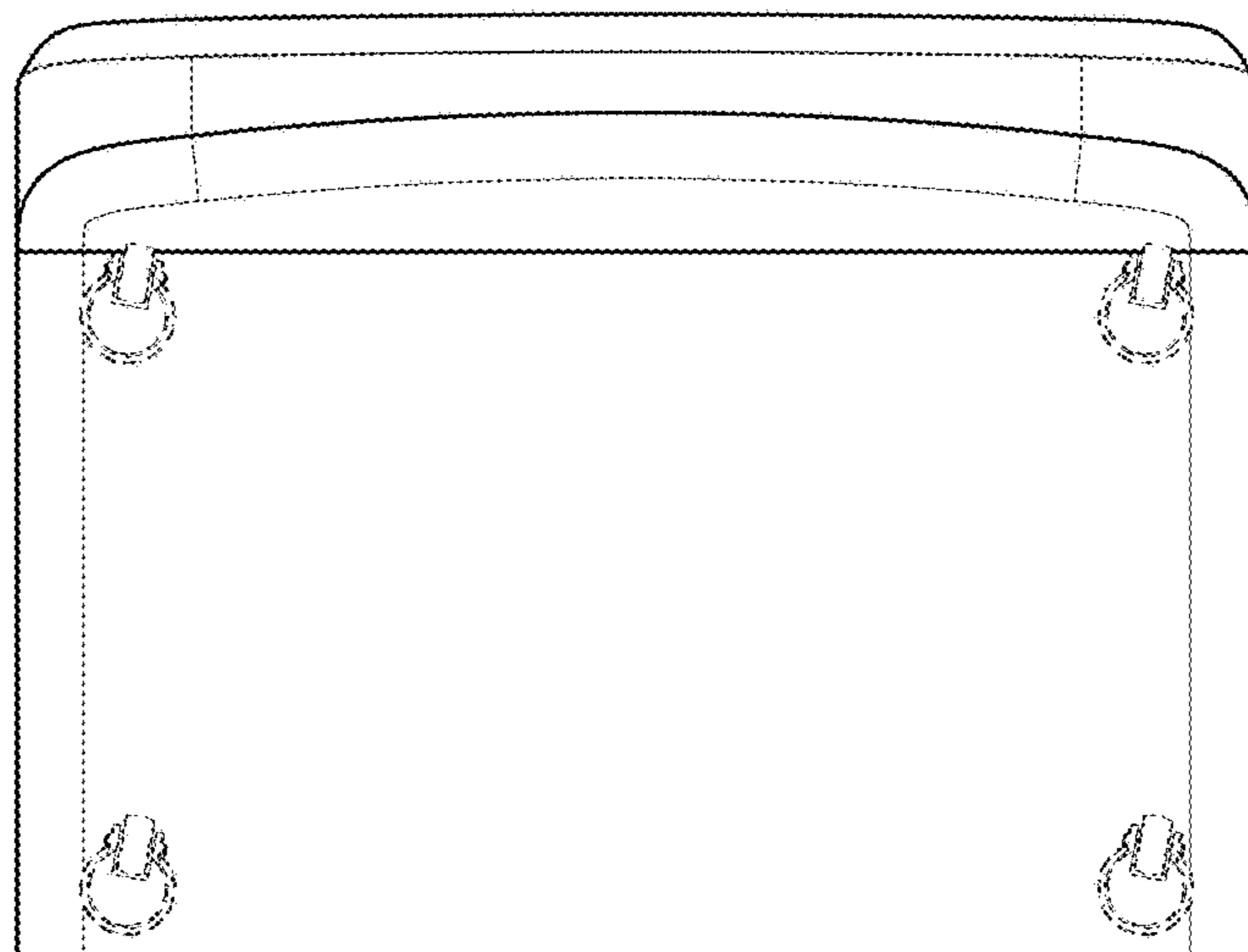


FIG. 7