



US00D865219S

(12) **United States Design Patent** (10) **Patent No.:** **US D865,219 S**  
**Mathers et al.** (45) **Date of Patent:** **\*\* Oct. 29, 2019**

(54) **ELECTROPHORESIS AND IMAGING SYSTEM**

(71) Applicants: **LIFE TECHNOLOGIES CORPORATION**, Carlsbad, CA (US); **LIFE TECHNOLOGIES HOLDINGS PTE LIMITED**, Singapore (SG)

(72) Inventors: **Xin Mathers**, Poway, CA (US); **Sandro Klein**, Irvine, CA (US); **Zeqi Tan**, Singapore (SG); **Wuh Ken Loh**, Singapore (SG); **JingMing Peng**, Singapore (SG); **Soo Fan Phua**, Singapore (SG); **Oliver Davidson**, Burlingame, CA (US)

(73) Assignees: **Life Technologies Corporation**, Carlsbad, CA (US); **Life Technologies Holdings PTE Limited**, Singapore (SG)

(\*\*) Term: **15 Years**

(21) Appl. No.: **29/648,055**

(22) Filed: **May 17, 2018**

**Related U.S. Application Data**

(62) Division of application No. 29/606,327, filed on Jun. 2, 2017, now Pat. No. Des. 827,859.

(51) **LOC (12) Cl.** ..... **24-01**

(52) **U.S. Cl.**  
USPC ..... **D24/232**

(58) **Field of Classification Search**  
USPC ..... D24/107, 185, 186, 216, 231-234;  
D10/81

CPC ..... G01N 2035/00306; G01N 2035/00326;  
G01N 2035/00336; G01N 2035/00366;  
G01N 21/6428; G01N 21/645; G01N  
2201/068; C12Q 1/686; B01L 7/52

See application file for complete search history.

(56) **References Cited**

U.S. PATENT DOCUMENTS

D556,914 S	12/2007	Okamoto et al.	
D688,804 S	8/2013	Kim et al.	
D693,469 S	11/2013	Chung et al.	
D717,968 S	11/2014	Klein et al.	
D730,216 S *	5/2015	McLaughlin .....	D24/216
D731,673 S	6/2015	Klein et al.	
D733,917 S	7/2015	Klein et al.	
D757,295 S *	5/2016	Benarieh .....	D24/233
D774,206 S *	12/2016	Boo .....	D24/232
D775,365 S	12/2016	Mathers et al.	

(Continued)

*Primary Examiner* — Anhdao Doan

(57) **CLAIM**

The ornamental design for an electrophoresis and imaging system, as shown and described.

**DESCRIPTION**

FIG. 1 is a front perspective view of an electrophoresis and imaging system of our new design.

FIG. 2 is a front view of the electrophoresis and imaging system of our new design.

FIG. 3 is a rear view of the electrophoresis and imaging system of our new design.

FIG. 4 is a left side view of the electrophoresis and imaging system of our new design.

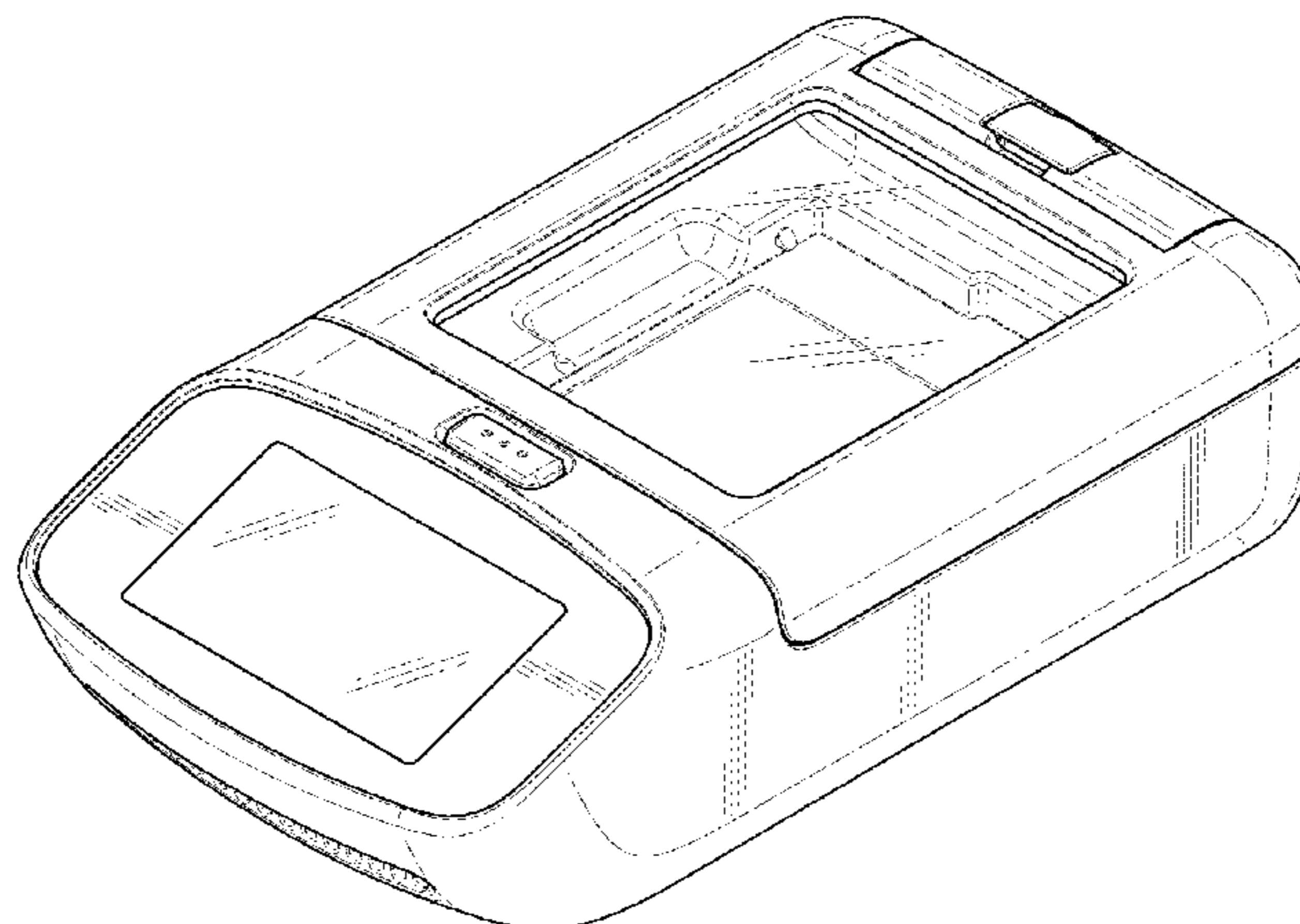
FIG. 5 is a right side view of the electrophoresis and imaging system of our new design.

FIG. 6 is a top view of the electrophoresis and imaging system of our new design; and,

FIG. 7 is a bottom view of the electrophoresis and imaging system of our new design.

The broken lines illustrate portions of the electrophoresis and imaging system that form no part of the claimed design.

**1 Claim, 7 Drawing Sheets**



(56)

**References Cited**

U.S. PATENT DOCUMENTS

D783,178 S *	4/2017	Mead .....	D24/232
D825,078 S *	8/2018	Osmus .....	D24/232
2015/0253345 A1	9/2015	Lee	
2016/0228876 A1	8/2016	Chu et al.	
2017/0072398 A1	3/2017	Boo et al.	

\* cited by examiner

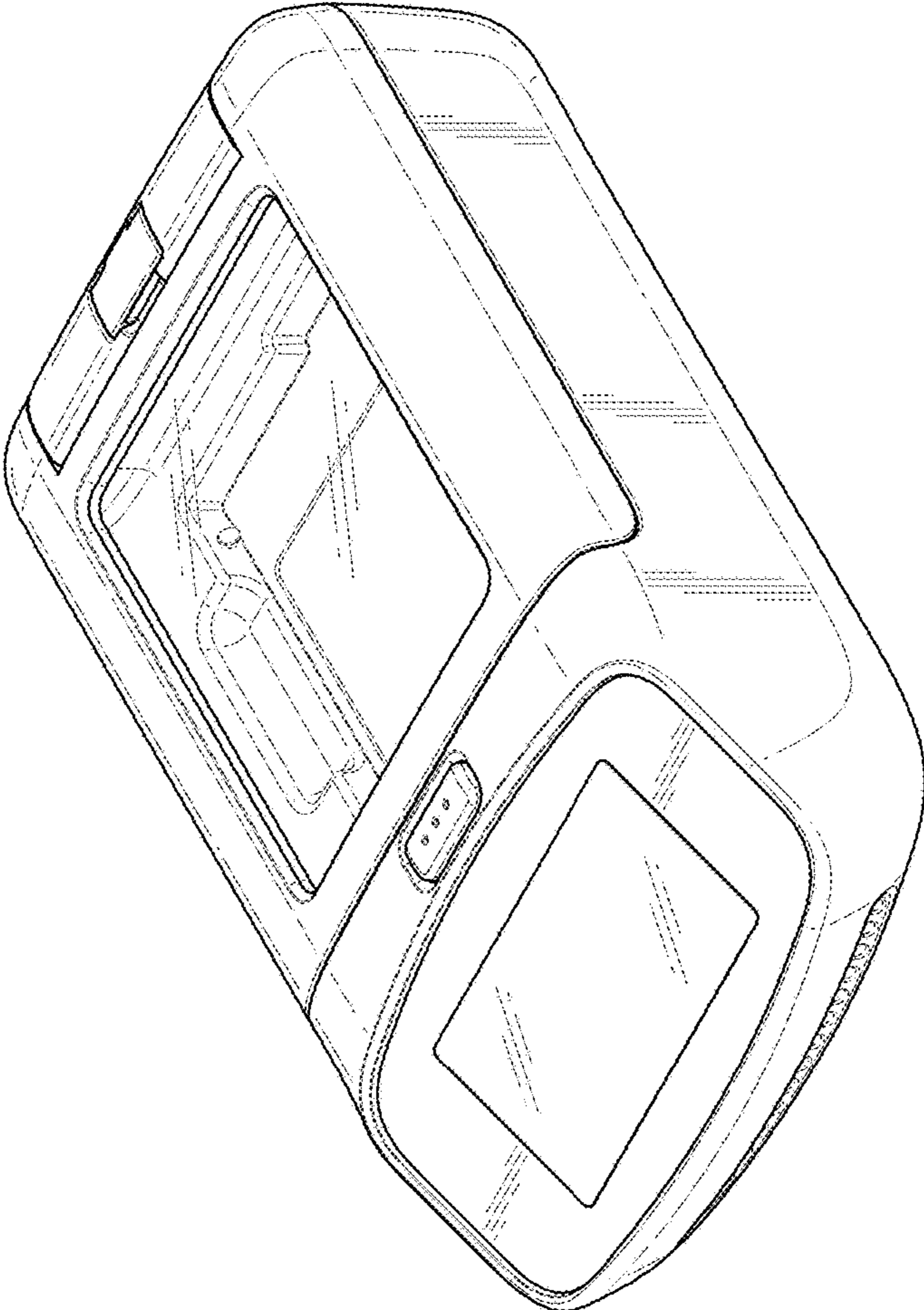


FIG. 1

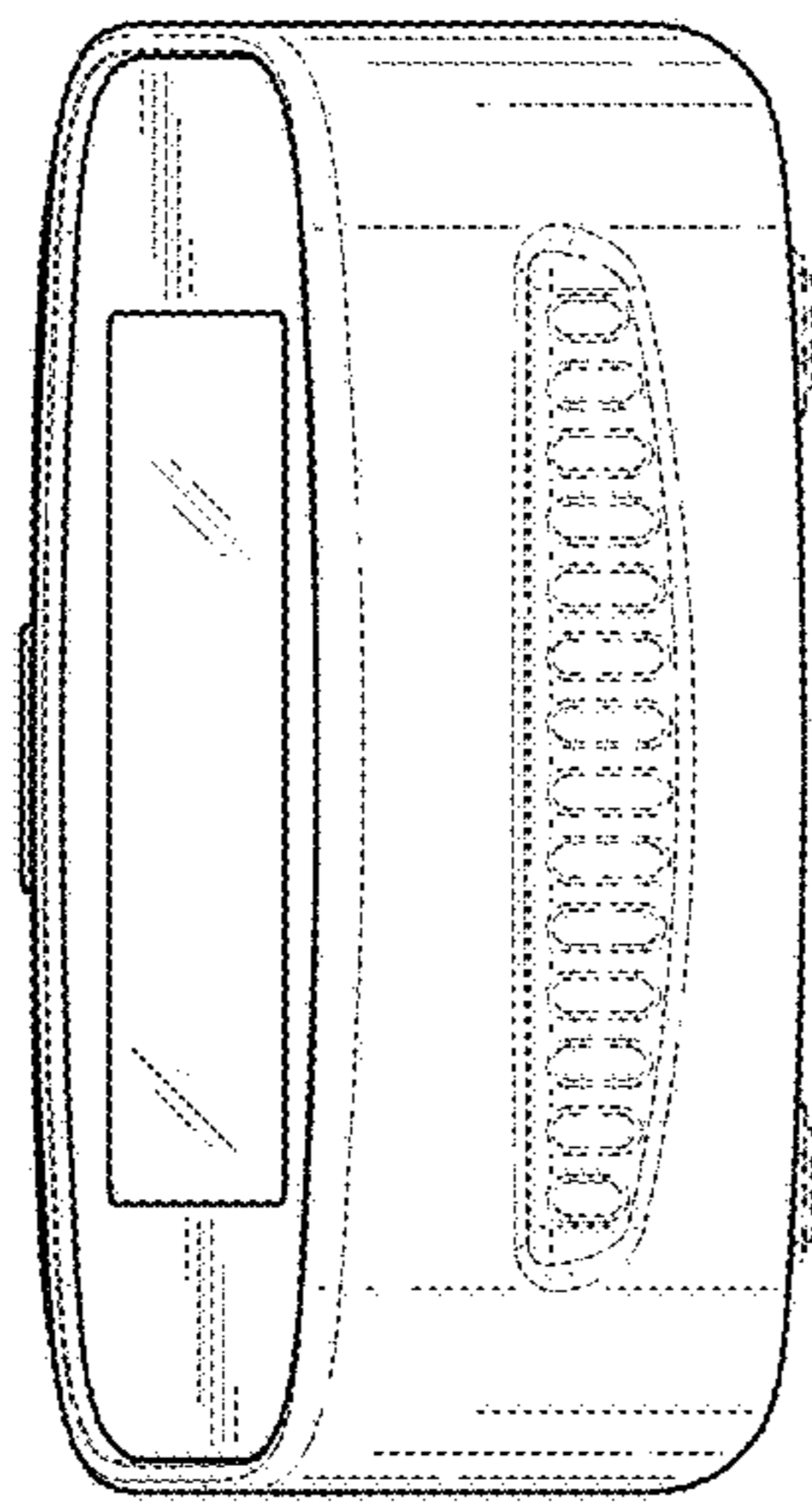


FIG. 2

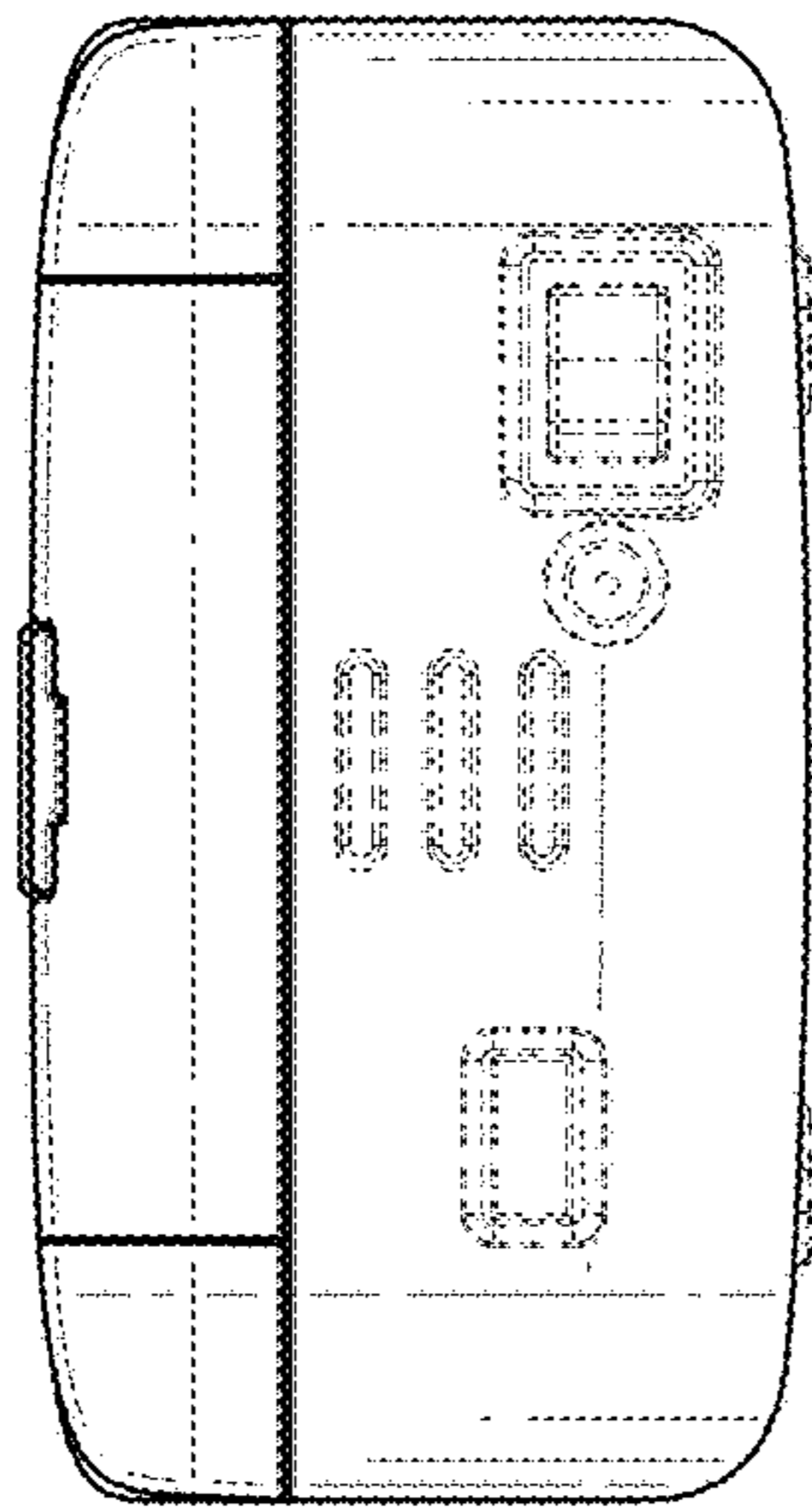


FIG. 3

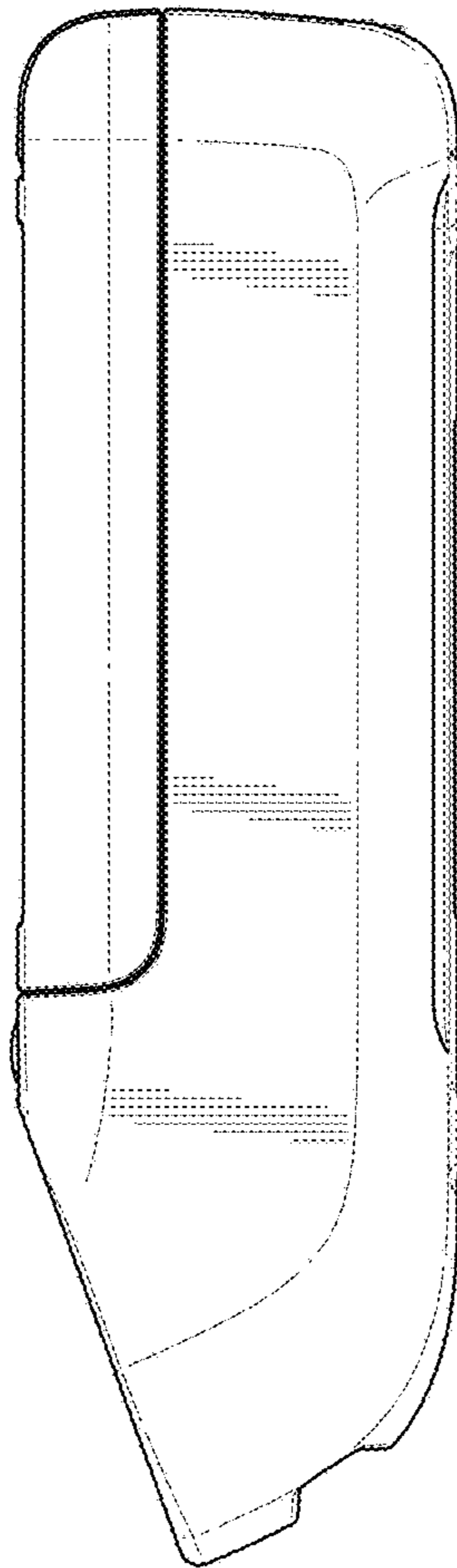


FIG. 4

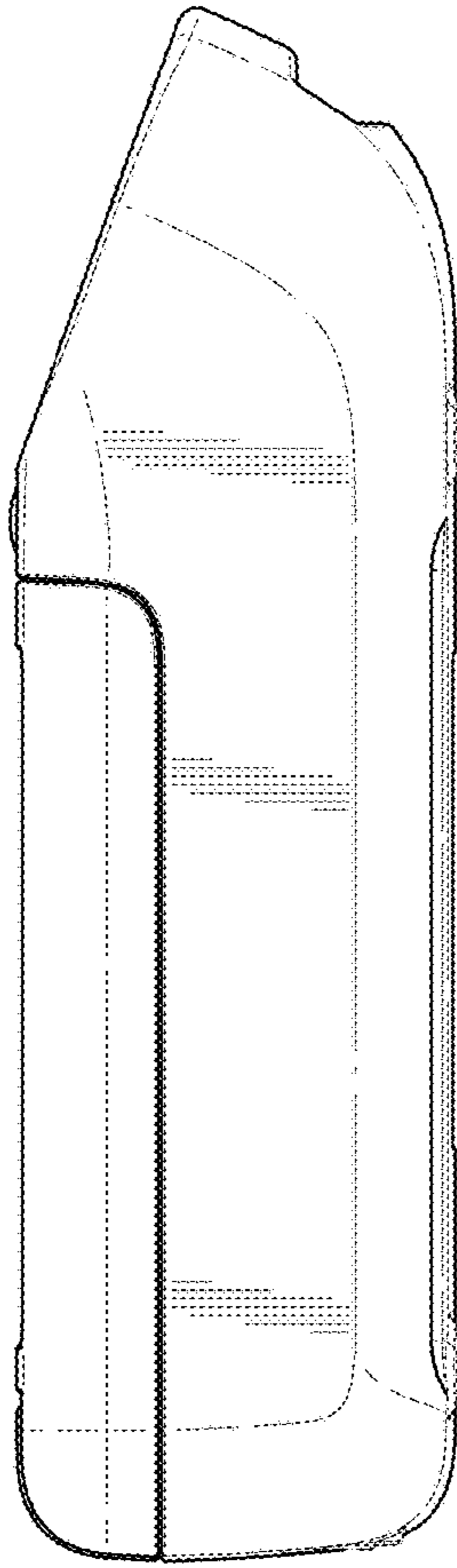


FIG. 5

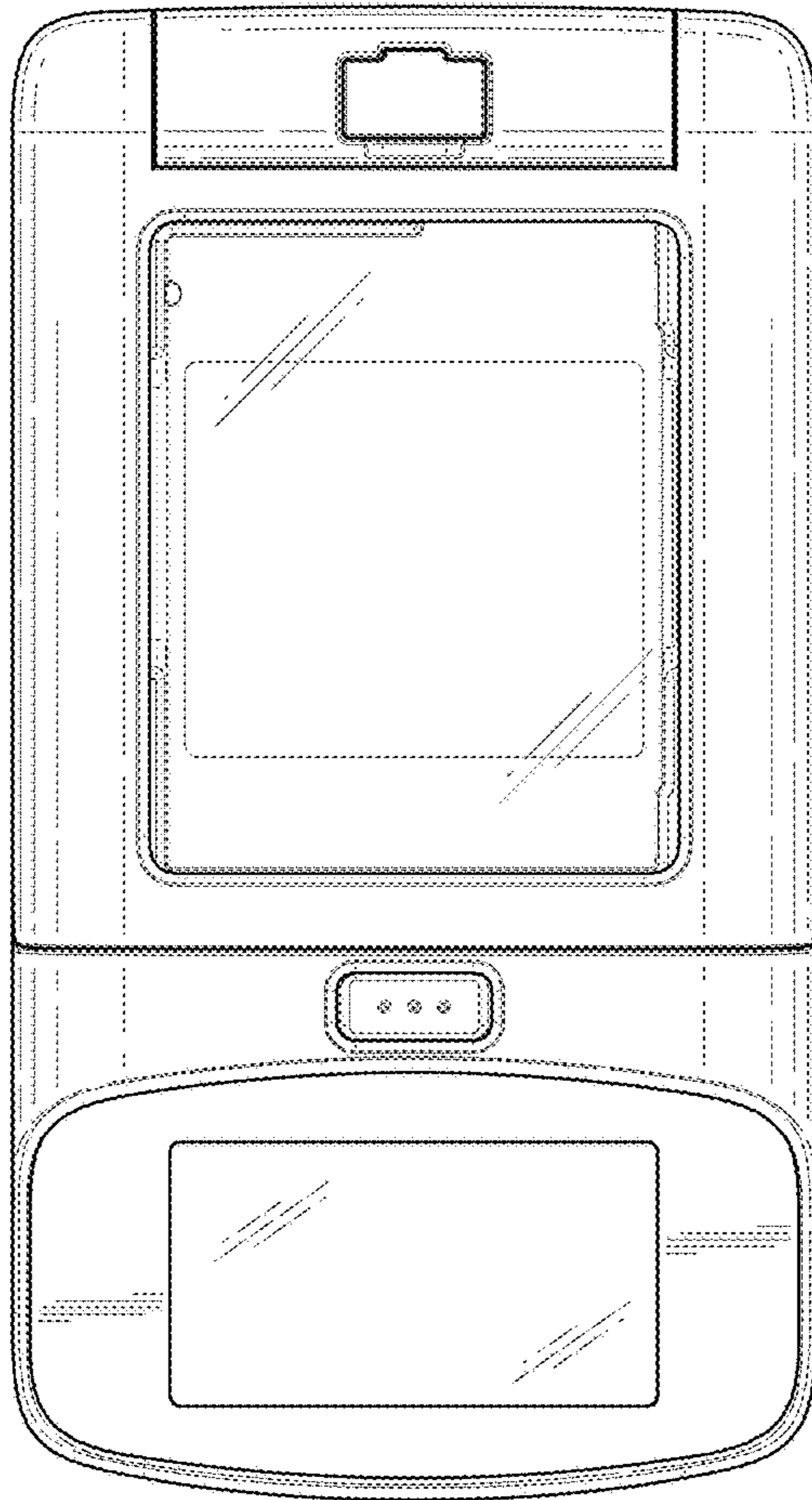


FIG. 6



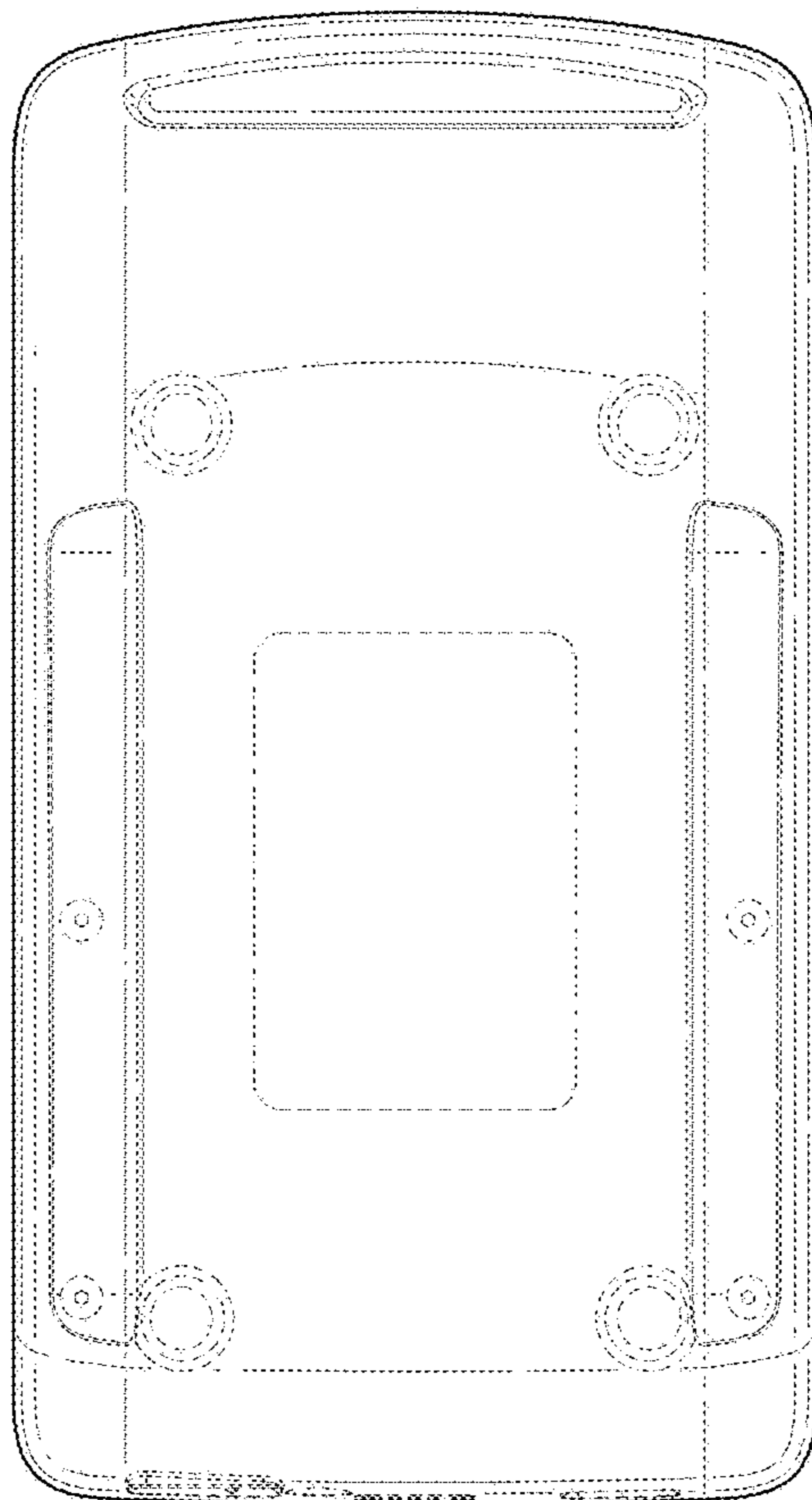


FIG. 7