

US00D865217S

(12) **United States Design Patent** (10) **Patent No.:** **US D865,217 S**
McAnaw (45) **Date of Patent:** **** Oct. 29, 2019**

(54) **SURFACE ORNAMENTATION FOR LABORATORY EQUIPMENT**

(71) Applicant: **Thermo Shandon Limited**, Runcorn (GB)

(72) Inventor: **James R. McAnaw**, Kalamazoo, MI (US)

(73) Assignee: **Thermo Shandon Limited**, Runcorn (GB)

(**) Term: **15 Years**

(21) Appl. No.: **29/623,296**

(22) Filed: **Oct. 24, 2017**

(51) **LOC (12) Cl.** **24-99**

(52) **U.S. Cl.**
USPC **D24/231**

(58) **Field of Classification Search**
USPC D24/231, 216; D14/230, 492, 489; D32/6
CPC A61F 11/08; A61M 21/00
See application file for complete search history.

(56) **References Cited**

U.S. PATENT DOCUMENTS

D668,639 S	*	10/2012	Matsumoto	D14/230
D702,717 S	*	4/2014	Abratowski	D14/489
D704,682 S	*	5/2014	Forster	D14/230
D706,930 S	*	6/2014	Lin	D24/216
D719,937 S	*	12/2014	Forster	D14/230
D775,109 S	*	12/2016	Forster	D14/230
D780,722 S	*	3/2017	Forster	D14/230
D786,222 S	*	5/2017	Forster	D14/230

D788,744 S	*	6/2017	Forster	D14/230
D791,744 S	*	7/2017	Forster	D14/230
D798,279 S	*	9/2017	Raffaelli	D14/230
D799,455 S	*	10/2017	Forster	D14/230
D800,976 S	*	10/2017	Im	D32/6
D801,319 S	*	10/2017	Forster	D14/230
D801,602 S	*	10/2017	Im	D32/6
D809,488 S	*	2/2018	Forster	D14/230
D812,597 S	*	3/2018	Forster	D14/230
D819,694 S	*	6/2018	Kim	D14/492
D821,366 S	*	6/2018	Forster	D14/230
D822,649 S	*	7/2018	He	D14/230
D828,340 S	*	9/2018	Forster	D14/230
D828,341 S	*	9/2018	Chang	D14/230
D840,379 S	*	2/2019	Howard	D14/230
D840,983 S	*	2/2019	Forster	D14/230
D840,985 S	*	2/2019	Forster	D14/230

* cited by examiner

Primary Examiner — Rhea Shields

(74) *Attorney, Agent, or Firm* — Wood Herron & Evans LLP

(57) **CLAIM**

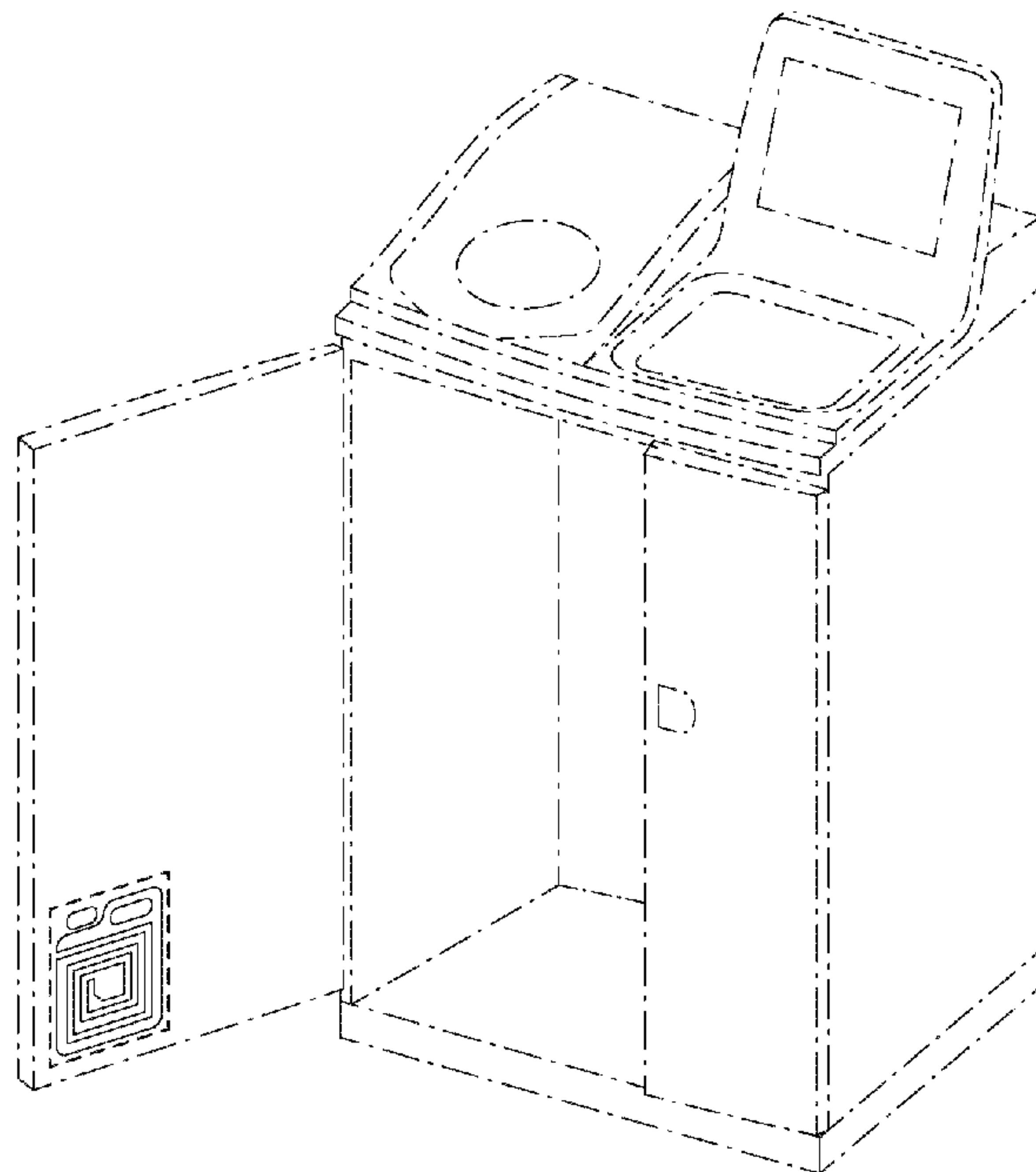
The ornamental design for a surface ornamentation for laboratory equipment, as shown and described.

DESCRIPTION

FIG. 1 is a perspective view of the surface ornamentation for laboratory equipment showing my new design; and, FIG. 2 is a front view of the surface ornamentation for laboratory equipment thereof.

In the drawings, the broken lines are for the purpose of illustrating environment only and form no part of the claimed design.

1 Claim, 1 Drawing Sheet



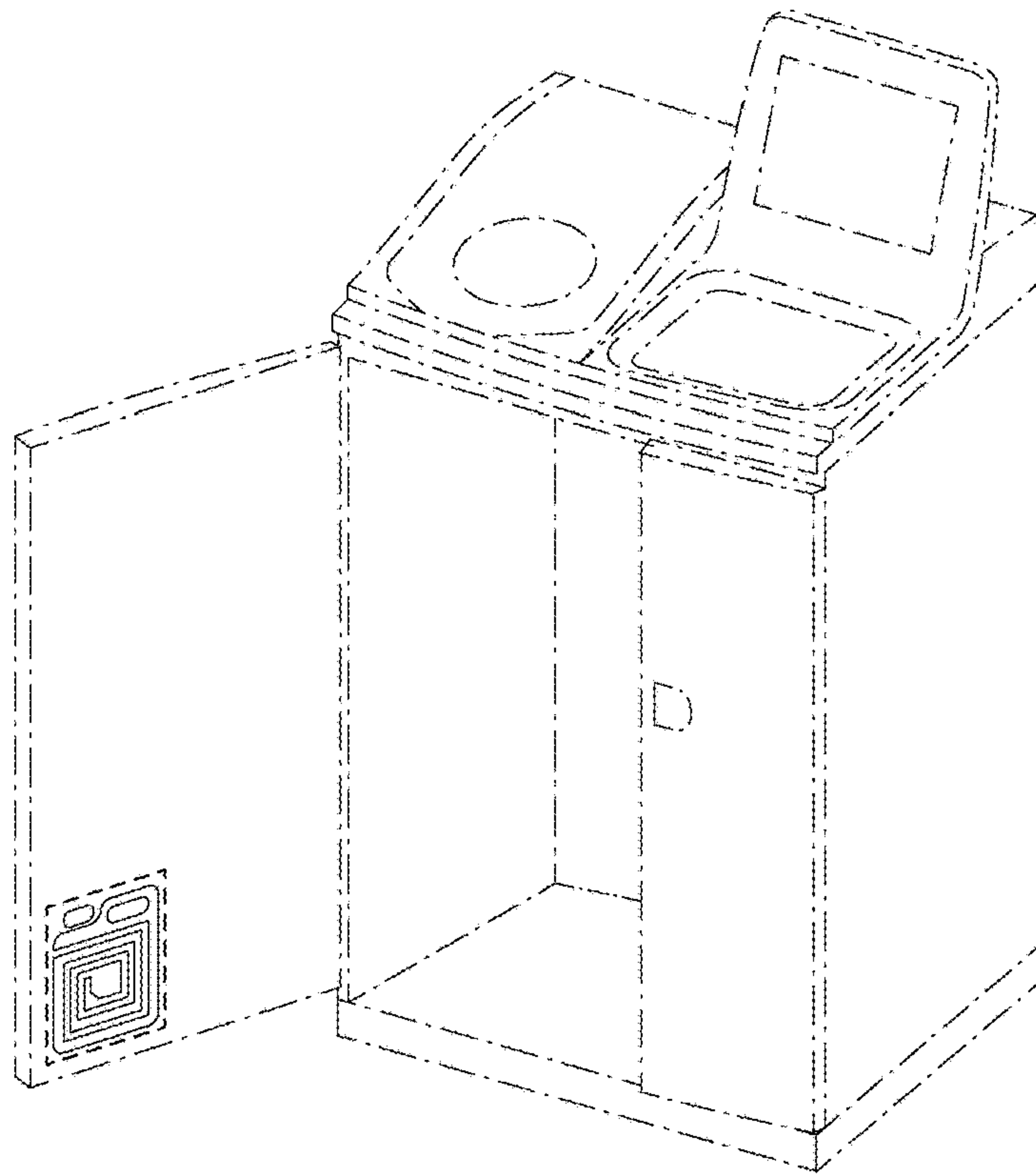


FIG. 1

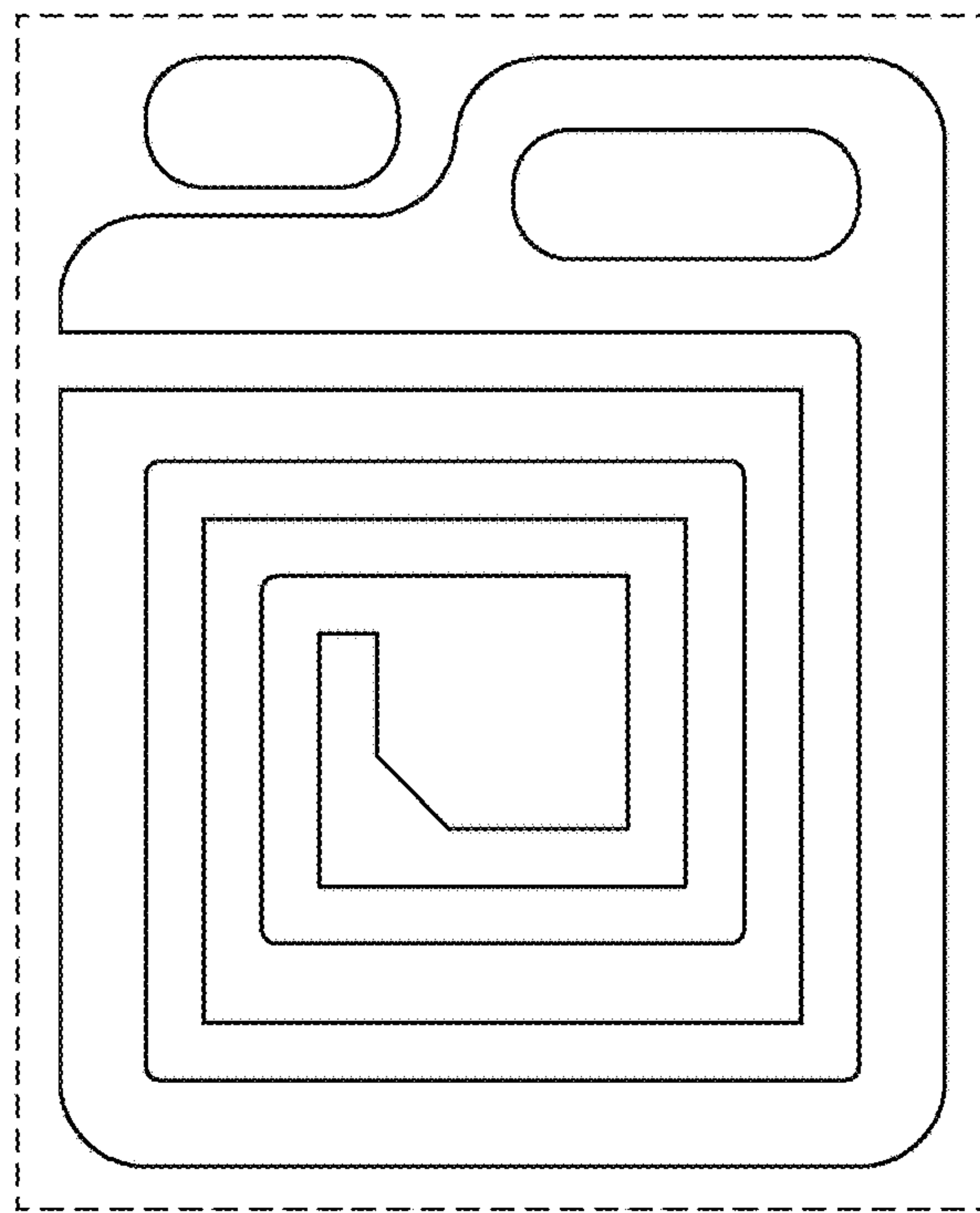


FIG. 2