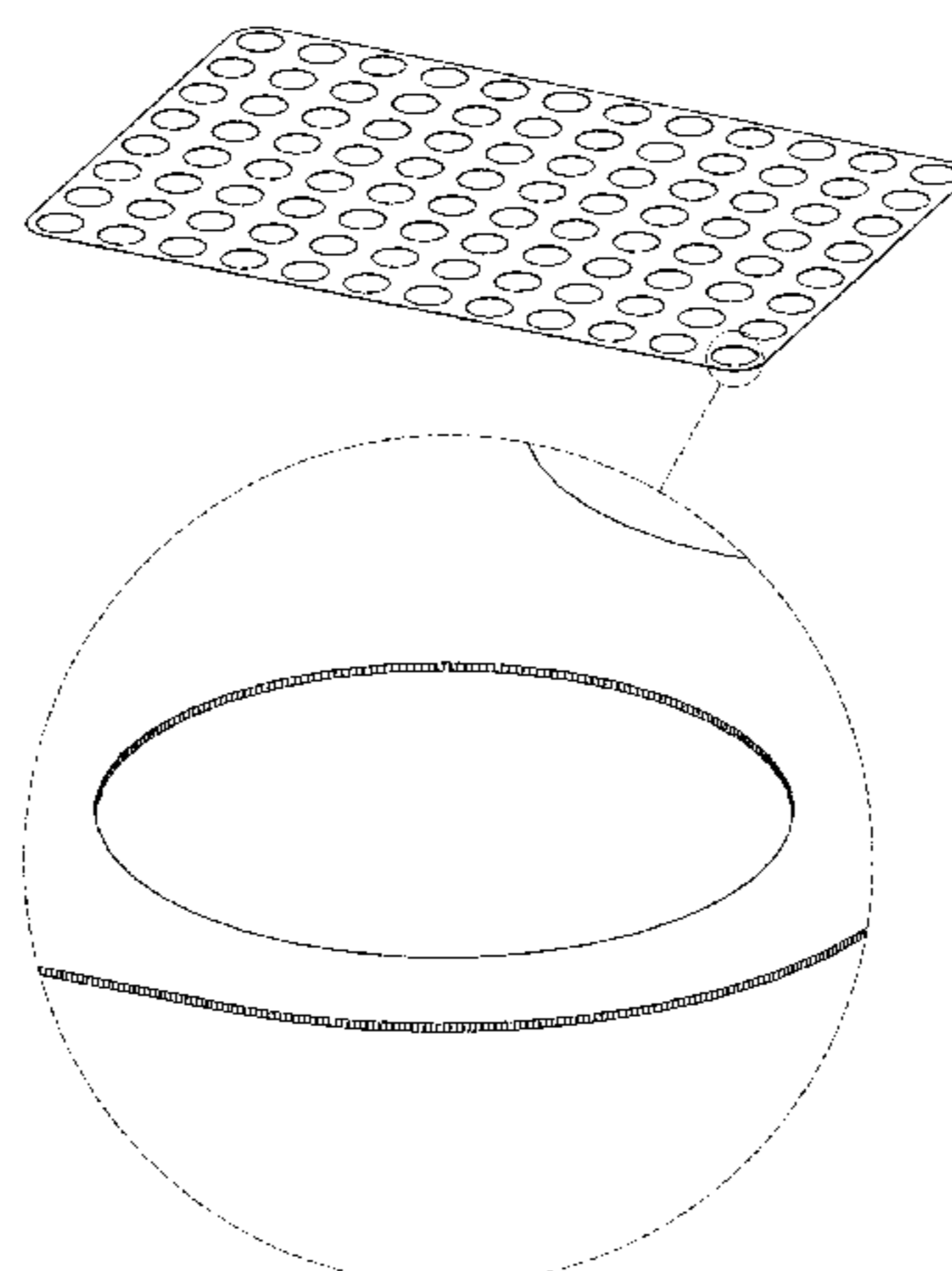




US00D865216S

(12) **United States Design Patent** (10) **Patent No.:** **US D865,216 S**
Curry et al. (45) **Date of Patent:** **** Oct. 29, 2019**

| | | | |
|--|----------------|---------|---|
| (54) PIPETTE TIP SHEET | 4,130,978 A | 12/1978 | Cohen |
| | D264,810 S | 6/1982 | Voltmann |
| (71) Applicant: BIOTIX, INC. , San Diego, CA (US) | 4,349,109 A | 9/1982 | Scordato et al. |
| | D271,239 S | 11/1983 | Lemieux et al. |
| (72) Inventors: Scott Edward Curry , Carlsbad, CA (US); Arta Motadel , San Diego, CA (US); Peter Paul Blaszcak , San Diego, CA (US) | 4,511,534 A * | 4/1985 | Bennett, Jr. B01L 3/021 141/238 |
| | D282,208 S | 1/1986 | Lowry |
| | D283,162 S | 3/1986 | Godsey |
| | 4,577,760 A | 3/1986 | Ranin et al. |
| | 4,676,377 A | 6/1987 | Ranin et al. |
| (73) Assignee: BIOTIX, INC. , San Diego, CA (US) | 5,000,921 A * | 3/1991 | Hanaway B01L 3/021 422/520 |
| (**) Term: 15 Years | 5,156,811 A | 10/1992 | White |
| | D332,145 S | 12/1992 | Wada et al. |
| | D337,165 S | 7/1993 | Malinoff |
| (21) Appl. No.: 29/592,989 | 5,255,979 A | 10/1993 | Ferrari |
| | 5,324,482 A | 6/1994 | Scaramella |
| (22) Filed: Feb. 3, 2017 | 5,366,088 A | 11/1994 | Hill et al. |
| | 5,392,914 A | 2/1995 | Lemieux et al. |
| | 5,441,702 A | 8/1995 | Lemieux |
| | 5,487,872 A | 1/1996 | Hafeman et al. |
| | 5,487,997 A | 1/1996 | Stolp |
| | D369,415 S * | 4/1996 | Boulton D24/224 |
| | 5,612,000 A | 3/1997 | Lemieux |
| | 5,779,984 A | 7/1998 | Kelly |
| | 5,882,603 A | 3/1999 | Taggart |
| | D411,308 S | 6/1999 | Pandey et al. |
| | D414,271 S | 9/1999 | Mendoza |
| | 6,007,779 A | 12/1999 | Lemieux et al. |
| | D420,142 S | 2/2000 | Ballin et al. |
| | D420,743 S | 2/2000 | Monks |
| | 6,019,225 A | 2/2000 | Kalmakis et al. |
| | 6,164,449 A | 12/2000 | Lahti |
| (51) LOC (12) Cl. 24-02 | D439,673 S | 3/2001 | Brophy et al. |
| (52) U.S. Cl. | D441,091 S | 4/2001 | Day |
| USPC D24/227 | 6,238,626 B1 | 5/2001 | Higuchi |
| (58) Field of Classification Search | 6,286,678 B1 | 9/2001 | Petrek |
| USPC D24/107, 121, 133, 216, 222-230, 233; | D448,854 S | 10/2001 | Kuiper et al. |
| D9/523, 547, 549, 550, 724, 732 | D452,740 S | 1/2002 | Brennan et al. |
| CPC B01F 13/0025; B01J 2219/00292; B01J | 6,426,047 B1 | 7/2002 | Hamel et al. |
| 2220/64; B01L 3/14; B01L 3/021-0237; | D461,554 S | 8/2002 | Lafond et al. |
| B01L 3/508-50825; B01L 3/52-523; | D464,734 S | 10/2002 | Berna et al. |
| G01F 11/02 | D466,219 S | 11/2002 | Wynschenk et al. |
| See application file for complete search history. | 6,517,782 B1 | 2/2003 | Horner et al. |
| | 6,534,015 B1 | 3/2003 | Viot et al. |
| | 6,706,244 B1 * | 3/2004 | Holden B01J 19/0046 422/129 |
| (56) References Cited | 6,875,405 B1 | 4/2005 | Mathus et al. |
| | 7,060,226 B1 | 6/2006 | Jessop et al. |
| U.S. PATENT DOCUMENTS | D529,622 S | 10/2006 | Hadjis et al. |
| | D533,948 S | 12/2006 | Schaub et al. |
| D246,466 S 11/1977 Attree et al. | D534,658 S | 1/2007 | Bargh |
| 4,087,248 A 5/1978 Miles | 7,169,361 B2 | 1/2007 | Arnold et al. |



Office Action dated Oct. 28, 2016 in U.S. Appl. No. 14/746,711, filed Jun. 22, 2015 and published as US 2015-0283548 on Oct. 8, 2015.

Office Action dated Nov. 3, 2016 in U.S. Appl. No. 14/712,451, filed May 14, 2015 and published as US 2016-0167041 on Jun. 16, 2016.

Office Action dated Apr. 19, 2017 in U.S. Appl. No. 14/746,711, filed Jun. 22, 2015 and published as US 2015-0283548 on Oct. 8, 2015.

Office Action dated May 26, 2017 in U.S. Appl. No. 14/712,451, filed May 14, 2015 and published as US 2016-0167041 on Jun. 16, 2016.

International Preliminary Report on Patentability dated Jun. 22, 2017 for International Application No. PCT/US2015/064784, filed on Dec. 9, 2015 and published as WO 2016/094553 on Jun. 16, 2016.

Office Action dated Jul. 31, 2017 in U.S. Appl. No. 29/527,027, filed May 14, 2015.

Office Action dated Oct. 5, 2017 in U.S. Appl. No. 15/637,148, filed Jun. 29, 2017 and published as US 2017-0297030 on Oct. 19, 2017.

Office Action dated Nov. 8, 2017 in U.S. Appl. No. 14/712,451, filed May 14, 2015 and published as US 2016-0167041 on Jun. 16, 2016.

Office Action dated Dec. 13, 2017 in U.S. Appl. No. 29/601,729, filed Apr. 25, 2017.

Office Action dated Dec. 13, 2017 in U.S. Appl. No. 29/601,730, filed Apr. 25, 2017.

Office Action dated Dec. 18, 2017 in U.S. Appl. No. 29/527,027, filed May 14, 2015.

Office Action dated Jan. 25, 2018 in U.S. Appl. No. 29/527,027, filed May 14, 2015.

Office Action dated Mar. 26, 2018 in U.S. Appl. No. 29/601,729, filed Apr. 25, 2017.

Office Action dated May 17, 2018 in U.S. Appl. No. 29/601,730, filed Apr. 25, 2017.

Office Action dated Jun. 22, 2018 in U.S. Appl. No. 15/277,923, filed Sep. 27, 2016 and published as US 2017-0080432 on Mar. 23, 2017.

Office Action dated Jul. 27, 2018 in U.S. Appl. No. 14/712,451, filed May 14, 2015 and published as US 2016-0167041 on Jun. 16, 2016.

Office Action dated Aug. 27, 2018 in U.S. Appl. No. 15/852,620, filed Dec. 22, 2017.

Office Action dated Aug. 27, 2018 in U.S. Appl. No. 29/548,015, filed Dec. 9, 2015.

Office Action dated Nov. 26, 2018 in U.S. Appl. No. 15/277,923, filed Sep. 27, 2016 and published as US 2017-0080432 on Mar. 23, 2017.

Office Action dated Nov. 28, 2018 in U.S. Appl. No. 15/543,224, filed Jul. 12, 2017 and published as US 2018-0117595 on May 3, 2018.

Office Action dated Jan. 2, 2019 in U.S. Appl. No. 29/548,015, filed Dec. 9, 2015.

Office Action dated Jan. 9, 2019 in U.S. Appl. No. 15/852,620, filed Dec. 22, 2017 and published as US 2018-0304269 on Oct. 25, 2018.

Office Action dated Apr. 11, 2019 in U.S. Appl. No. 15/543,224, filed Jul. 12, 2017 and published as US 2018-0117595 on May 3, 2018.

Office Action dated Aug. 7, 2019 in U.S. Design Appl. No. 29/654,517, filed Jun. 25, 2018.

* cited by examiner

Primary Examiner — Vy N Koenig
(74) *Attorney, Agent, or Firm* — Grant IP, Inc.

(57)

CLAIM

The ornamental design for a pipette tip sheet, as shown and described.

DESCRIPTION

FIG. 1 is a top perspective view of a pipette tip sheet comprising 96 holes that can be associated with an array of pipette tips;

FIG. 2 is a bottom perspective view of the sheet shown in FIG. 1;

FIG. 3 is a top view of the sheet shown in FIG. 1, which has the same appearance as the bottom view of the sheet shown in FIG. 1;

FIG. 4 is a longer side view of the sheet shown in FIG. 1;

FIG. 5 is a shorter side view of the sheet shown in FIG. 1; and,

FIG. 6 is an enlarged view of the region defined by the broken line circle shown in FIG. 1.

1 Claim, 2 Drawing Sheets

Fig. 1

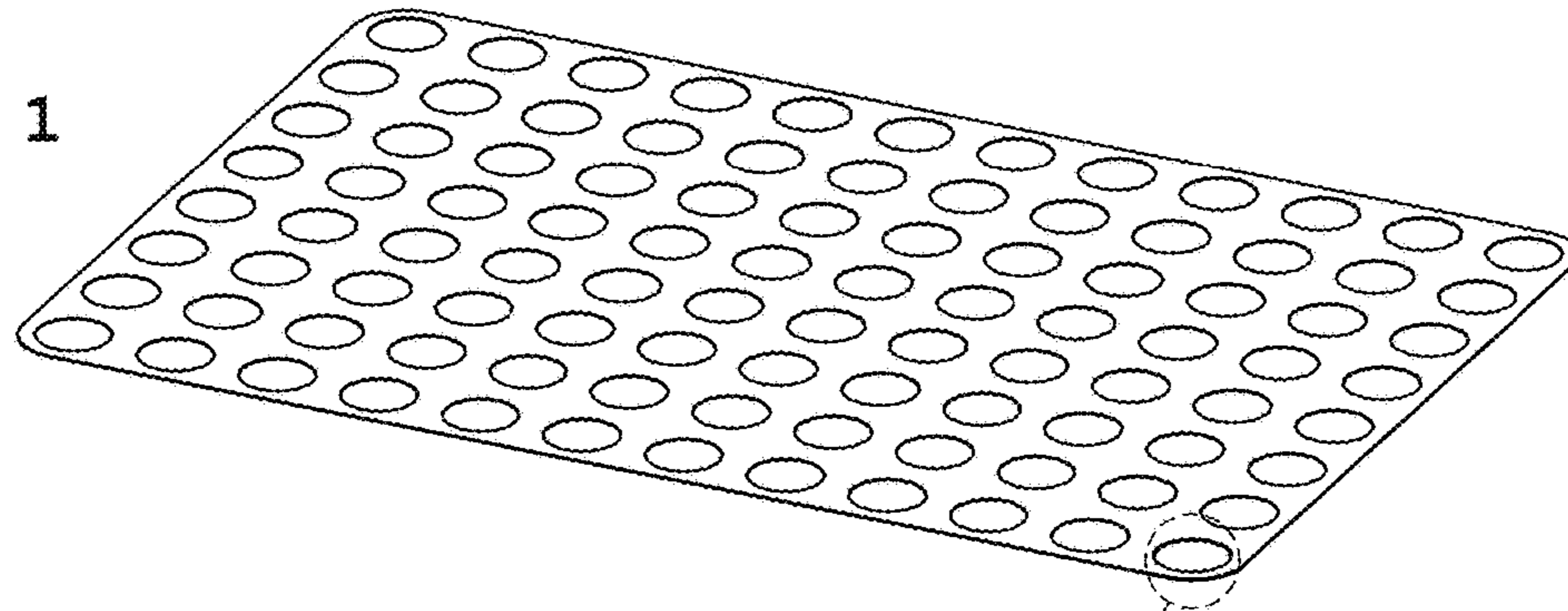


Fig. 6

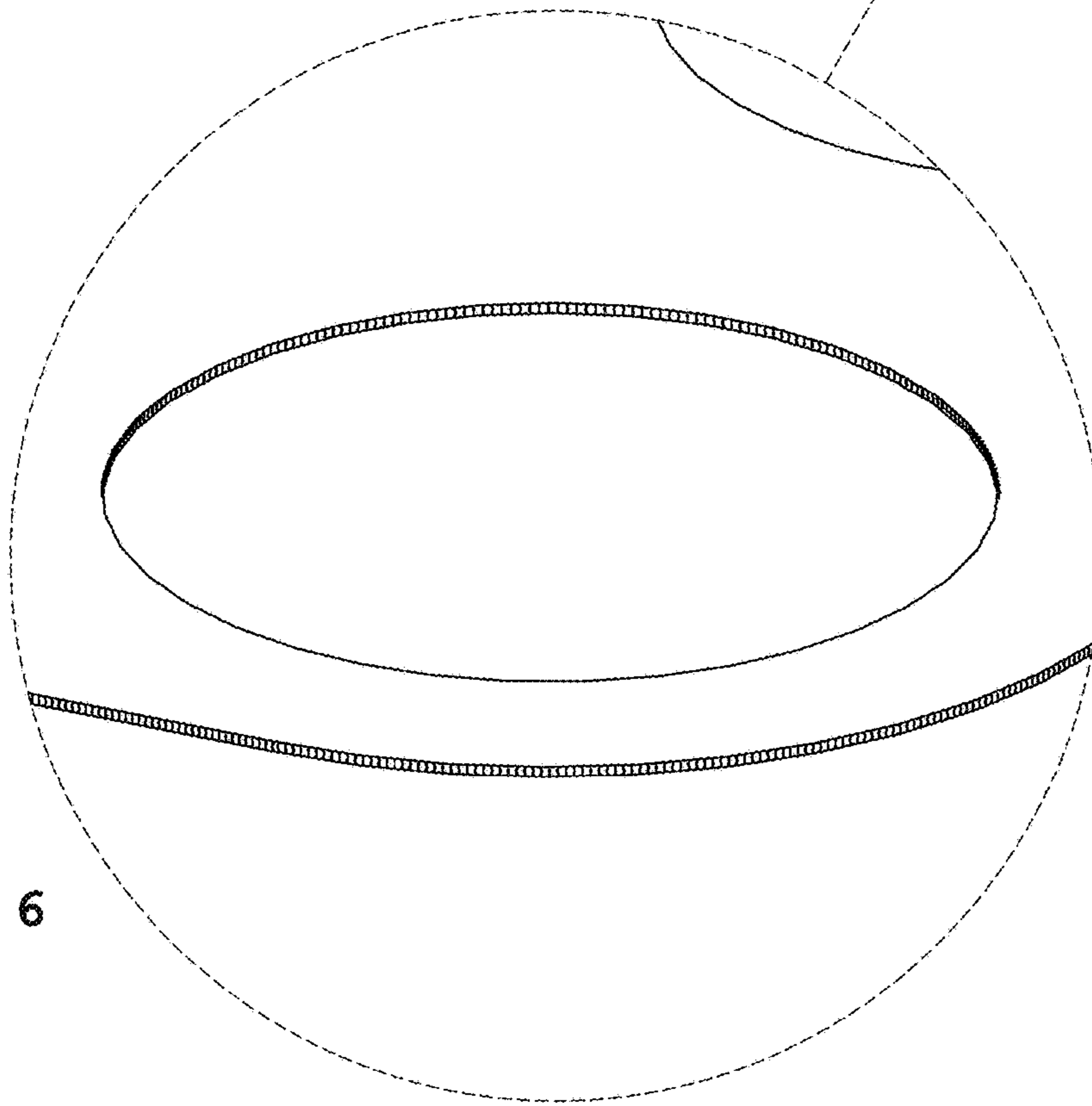


Fig. 2

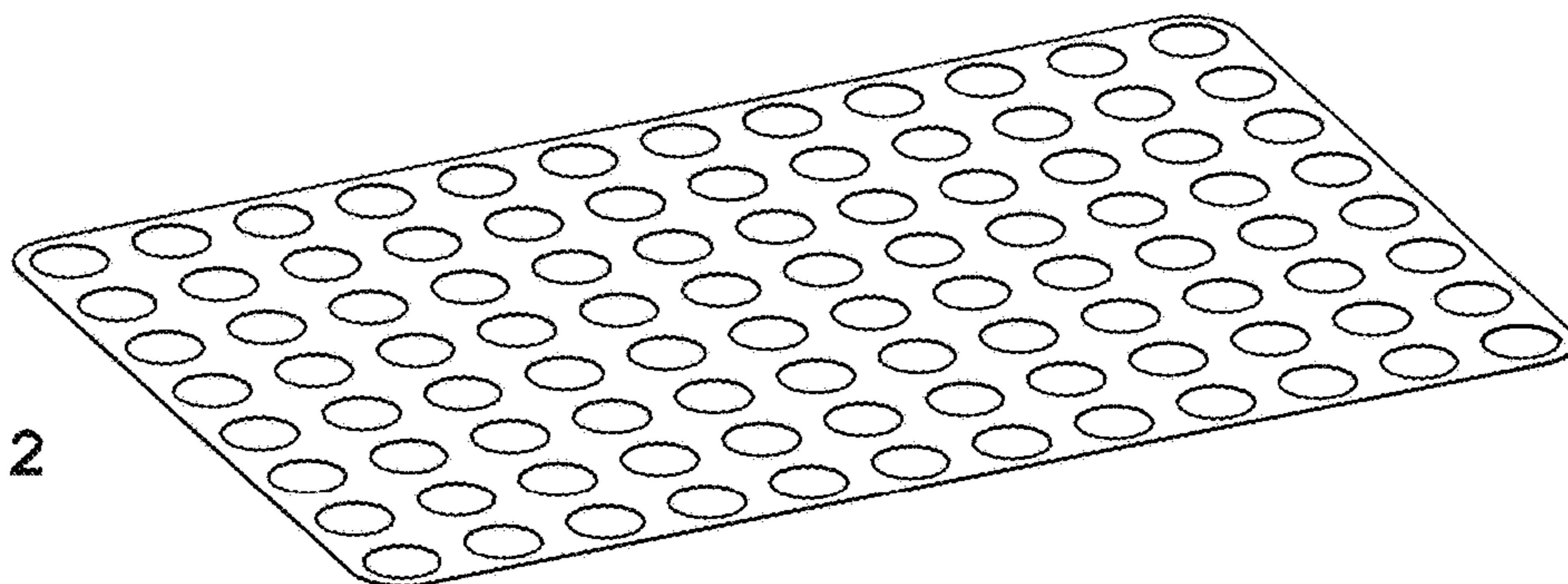


Fig. 3

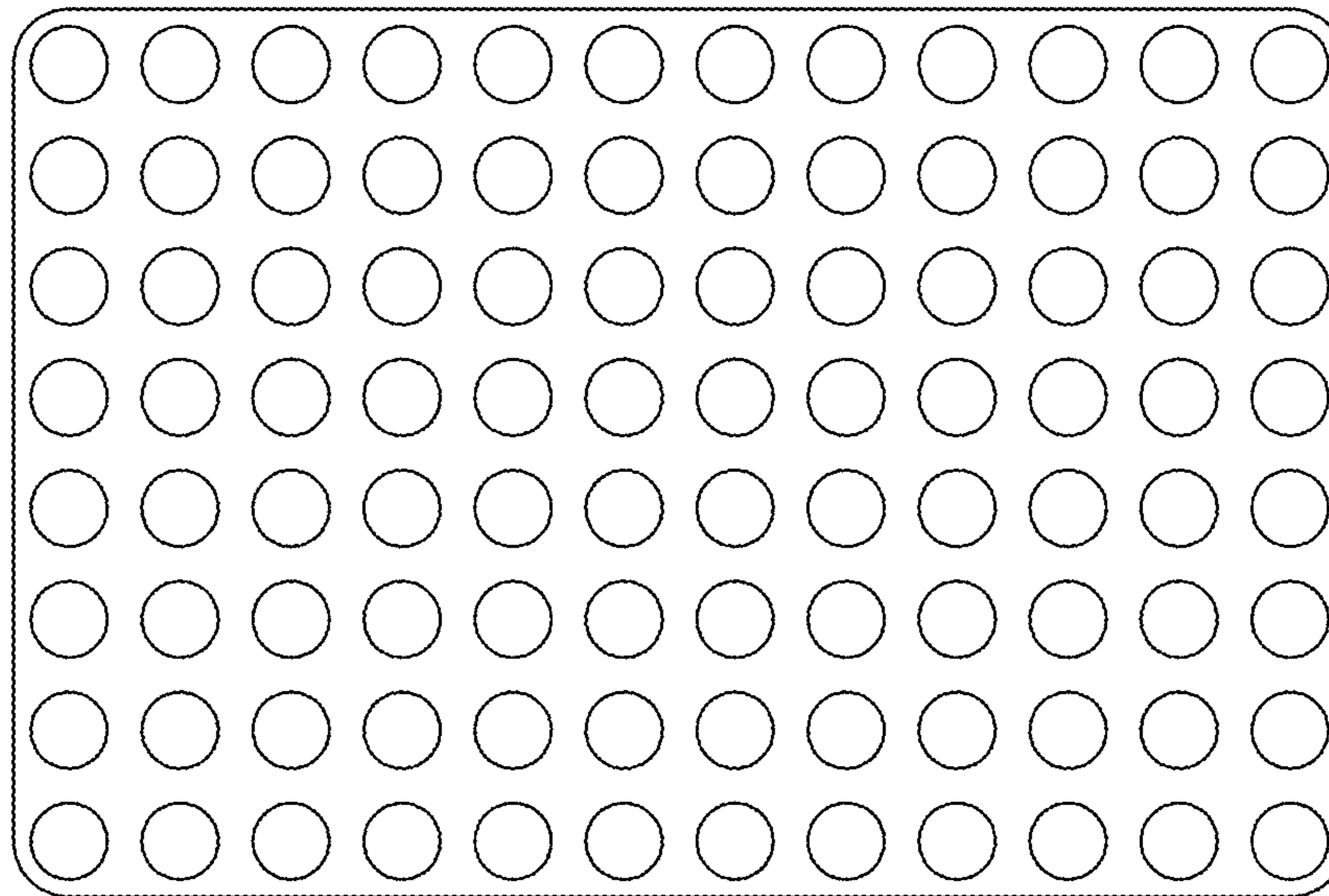


Fig. 4



Fig. 5

