



US00D865214S

(12) **United States Design Patent** (10) **Patent No.:** **US D865,214 S**
Dangelo et al. (45) **Date of Patent:** **** Oct. 29, 2019**

(54) **WASH CARTRIDGE**

OTHER PUBLICATIONS

(71) Applicants: **Illumina, Inc.**, San Diego, CA (US);
Illumina Singapore Pte Ltd, Singapore (SG)

U.S. Appl. No. 29/589,638, filed Jan. 3, 2017, Dangelo, et al.
(Continued)

(72) Inventors: **Michael Thomas Dangelo**, San Diego, CA (US); **James Michael Osmus**, San Diego, CA (US); **Bashkaran Subramanian**, Singapore (SG); **Lea Sandra Kobeli**, San Francisco, CA (US); **Edward Wilson Licitra**, San Francisco, CA (US)

Primary Examiner — Vy N Koenig
(74) *Attorney, Agent, or Firm* — Weaver Austin Villeneuve & Sampson LLP

(57) **CLAIM**

We claim the ornamental design for a wash cartridge, as shown and described.

DESCRIPTION

(73) Assignees: **Illumina, Singapore Pte. Ltd.**, Singapore (SG); **Illumina, Inc.**, San Diego, CA (US)

FIG. 1 is an isometric view of a wash cartridge.
FIG. 2 is a right side view of the wash cartridge of FIG. 1.
FIG. 3 is a left side view of the wash cartridge of FIG. 1.
FIG. 4 is a top view of the wash cartridge of FIG. 1.
FIG. 5 is a bottom view of the wash cartridge of FIG. 1.
FIG. 6 is a rear view of the wash cartridge of FIG. 1.
FIG. 7 is a front view of the wash cartridge of FIG. 1.
FIG. 8 is an off-angle view of the underside of the wash cartridge of FIG. 1.
FIG. 9 is another off-angle view of the underside of the wash cartridge of FIG. 1; and,
FIG. 10 is yet another off-angle view of the underside of the wash cartridge of FIG. 1.

(**) Term: **15 Years**

Stipple shading is used in the accompanying FIGS. 1-10 to convey surface contouring and is not indicative of any particular texture or coloring.

(21) Appl. No.: **29/589,640**

Dash-dot-dash boundary lines are used herein to indicate a transition from claimed subject matter to unclaimed environmental structure, as evidenced by the absence of shading within the boundary shape and the presence of shading outside of the boundary shape. See, for example, the dash-dot-dash boundaries around the “illumina” logo, “Insert” text, “Manual Wash Well” text, and “Open & Fill” text, which form no part of the claimed design in FIGS. 1 and 4, and the “>PC<” and “SI” text, which are form no part of the claimed design in FIG. 5.

(22) Filed: **Jan. 3, 2017**

(51) **LOC (12) Cl.** **24-02**

(52) **U.S. Cl.**
USPC **D24/224**

(58) **Field of Classification Search**
USPC D24/216, 217, 219, 220, 223, 224, 225, D24/226, 227, 232, 233; D9/424, 425,
(Continued)

(56) **References Cited**

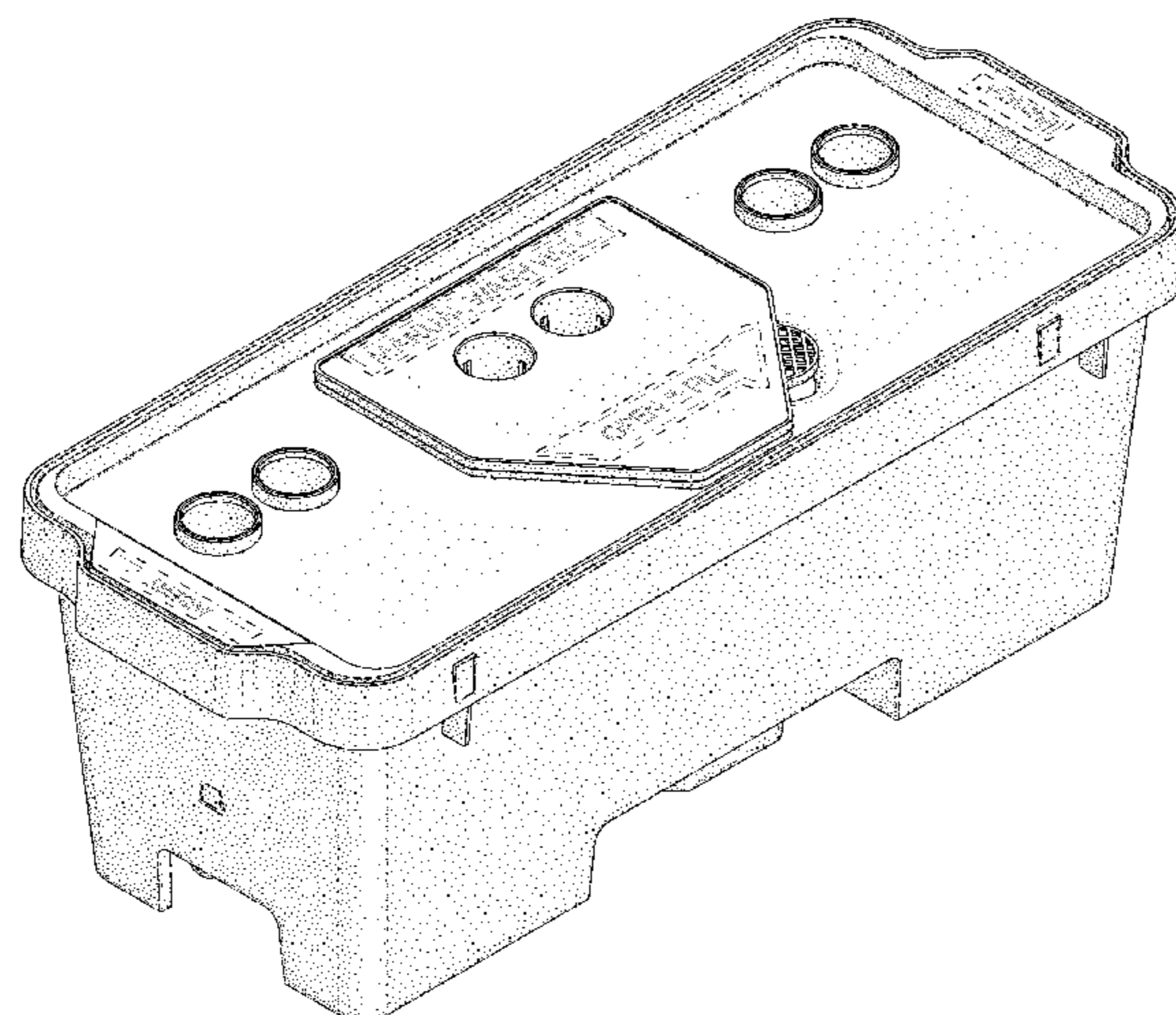
U.S. PATENT DOCUMENTS

4,798,292 A * 1/1989 Hauze A61L 2/26
206/439
D332,664 S * 1/1993 Sincock D24/130
(Continued)

FOREIGN PATENT DOCUMENTS

TW D182357 S 4/2017

1 Claim, 10 Drawing Sheets



US D865,214 S

Page 2

(58) **Field of Classification Search**

USPC D9/432, 732, 735, 749, 755, 758, 760;
D7/550.1, 553.1–553.5, 554.3, 554.4;
D18/43, 44; D3/294–295
CPC A47G 23/06; A61B 50/20; A61B 50/30;
A61J 1/00; C07K 1/26; C12Q 1/00; B01L
3/50; B01L 3/52; B01L 7/00; B01L 7/02
See application file for complete search history.

(56) **References Cited**

U.S. PATENT DOCUMENTS

D339,869 S * 9/1993 Schea, III D24/224
D438,632 S * 3/2001 Miller D24/216
D451,278 S * 12/2001 Cooper D3/294
D510,802 S * 10/2005 Sagol D3/273
7,036,667 B2 * 5/2006 Greenstein B01L 9/527
206/205
D565,742 S * 4/2008 Parunak D24/224
D566,291 S * 4/2008 Parunak D24/224
D578,758 S * 10/2008 Stevens D3/272
D604,604 S * 11/2009 Strange D9/424
D624,194 S * 9/2010 Pack D24/224
D632,803 S * 2/2011 Motadel D24/229

D657,473 S * 4/2012 Miyashita D24/224
D674,112 S * 1/2013 Demas D24/226
D691,733 S * 10/2013 Demas D24/226
D699,370 S * 2/2014 Motadel D24/229
D717,470 S * 11/2014 Demas D24/226
D724,236 S * 3/2015 Motadel D24/227
D732,186 S * 6/2015 Burroughs D24/226
9,198,811 B2 * 12/2015 Pizzato A61F 17/00
9,610,126 B2 * 4/2017 Griffin A61B 50/30
D825,774 S * 8/2018 Self D24/224
D827,149 S * 8/2018 Self D24/224
10,071,381 B2 * 9/2018 Welch A61B 5/15
2010/0221151 A1 * 9/2010 Motadel B01L 9/543
422/526
2011/0236278 A1 * 9/2011 Motadel B01L 9/543
422/560
2014/0234182 A1 * 8/2014 Motadel B01L 9/543
422/526

OTHER PUBLICATIONS

U.S. Appl. No. 29/589,641, filed Jan. 3, 2017, Dangelo, et al.
U.S. Appl. No. 29/589,642, filed Jan. 3, 2017, Dangelo, et al.
U.S. Appl. No. 29/589,643, filed Jan. 3, 2017, Dangelo, et al.

* cited by examiner

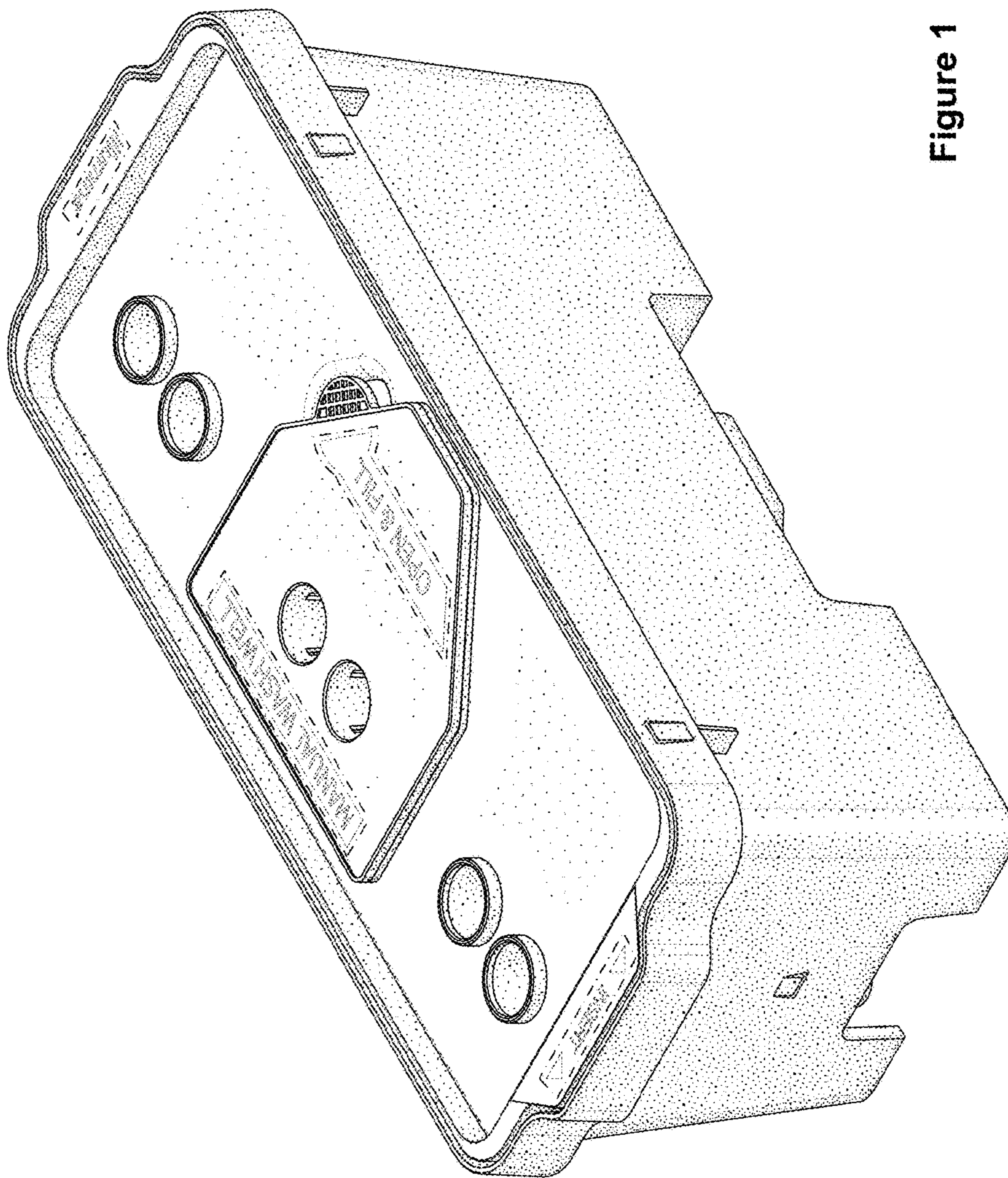


Figure 1

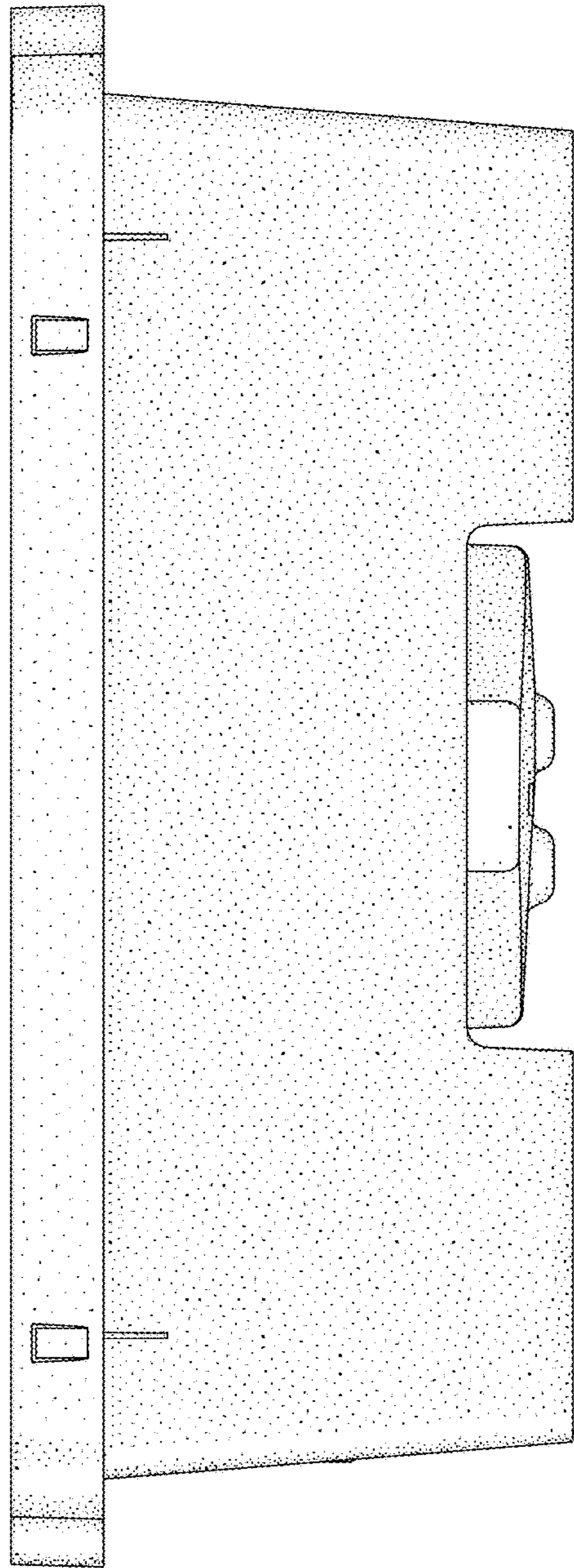


Figure 2

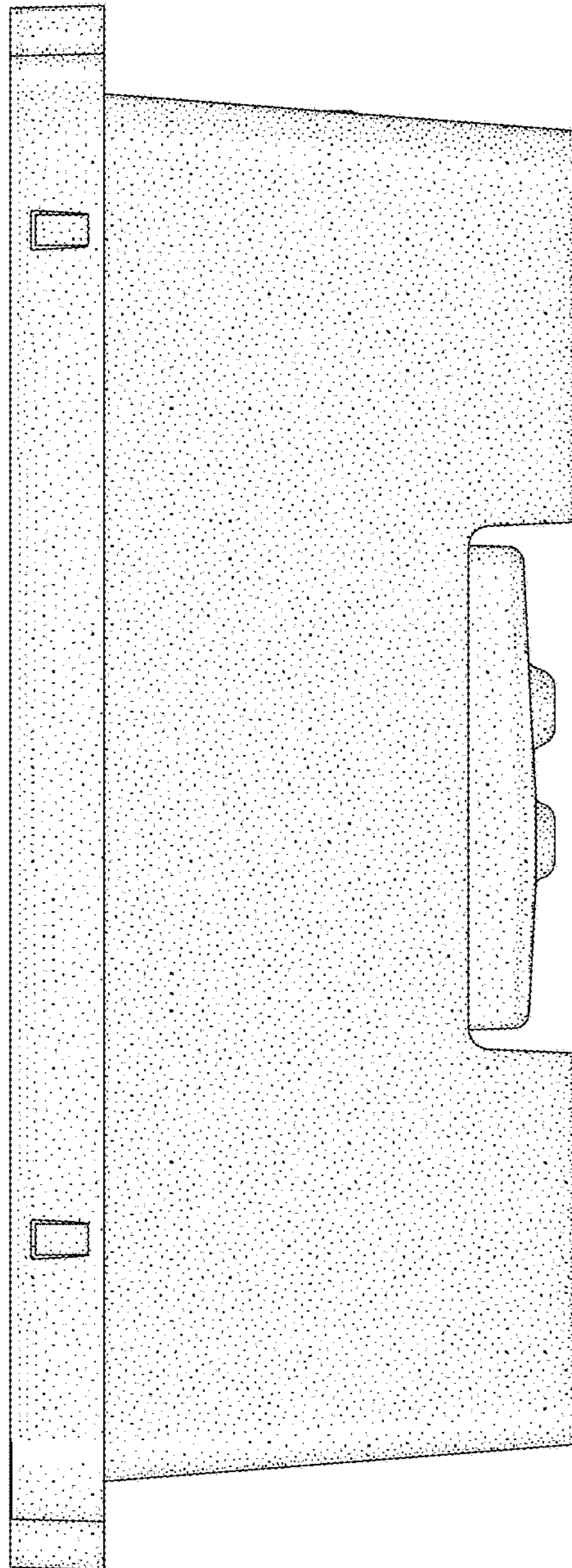


Figure 3

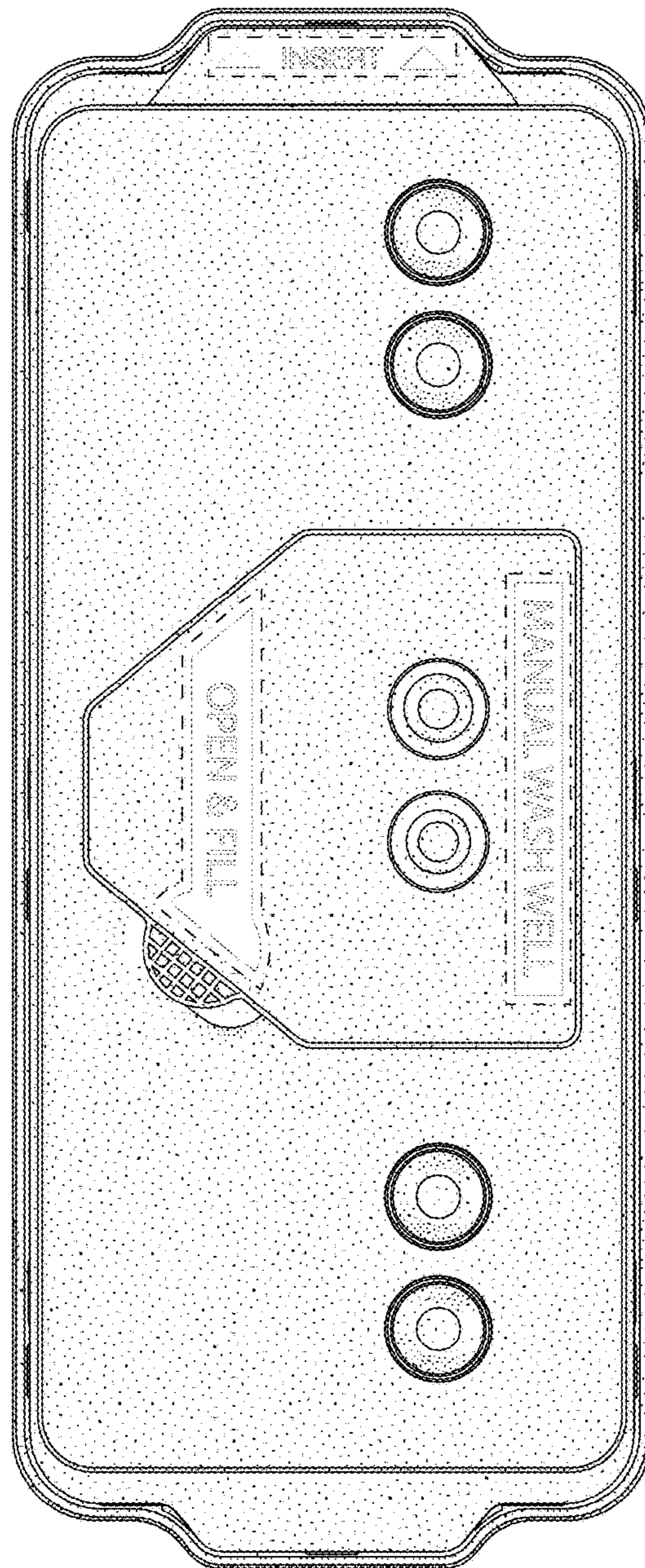


Figure 4

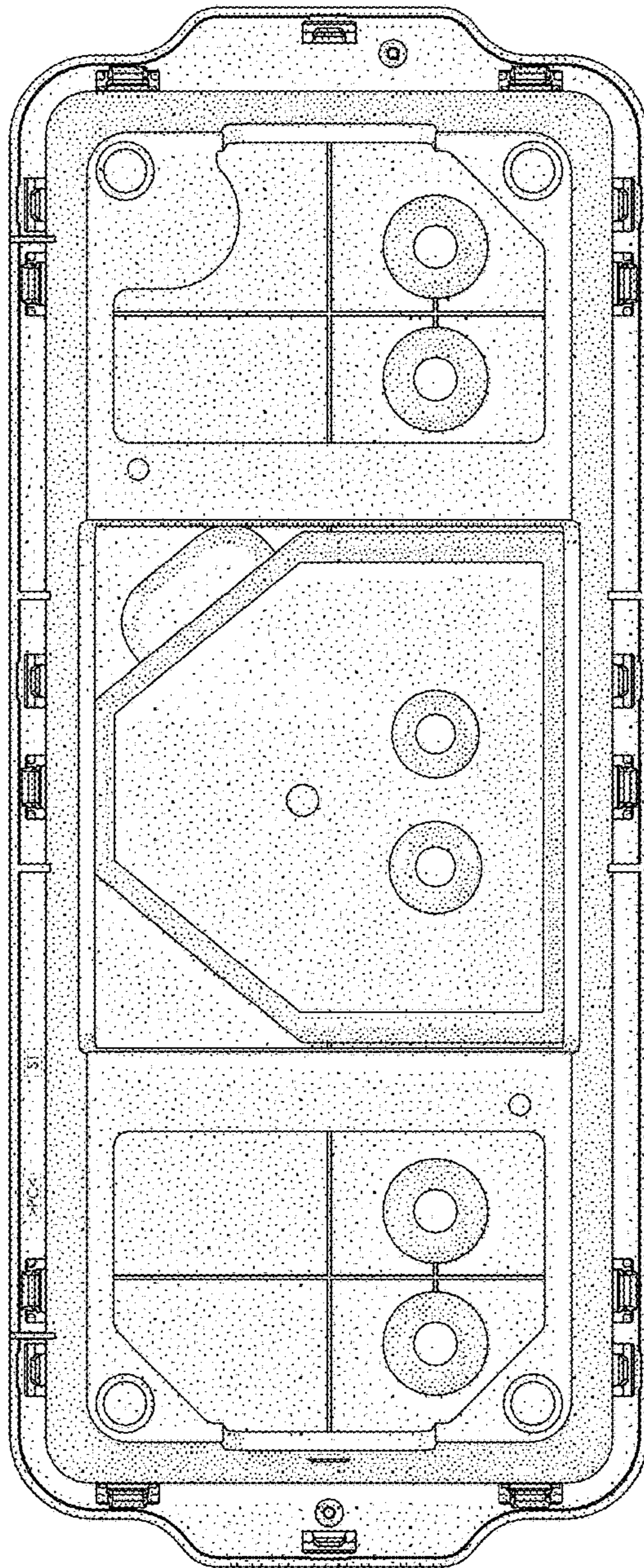


Figure 5

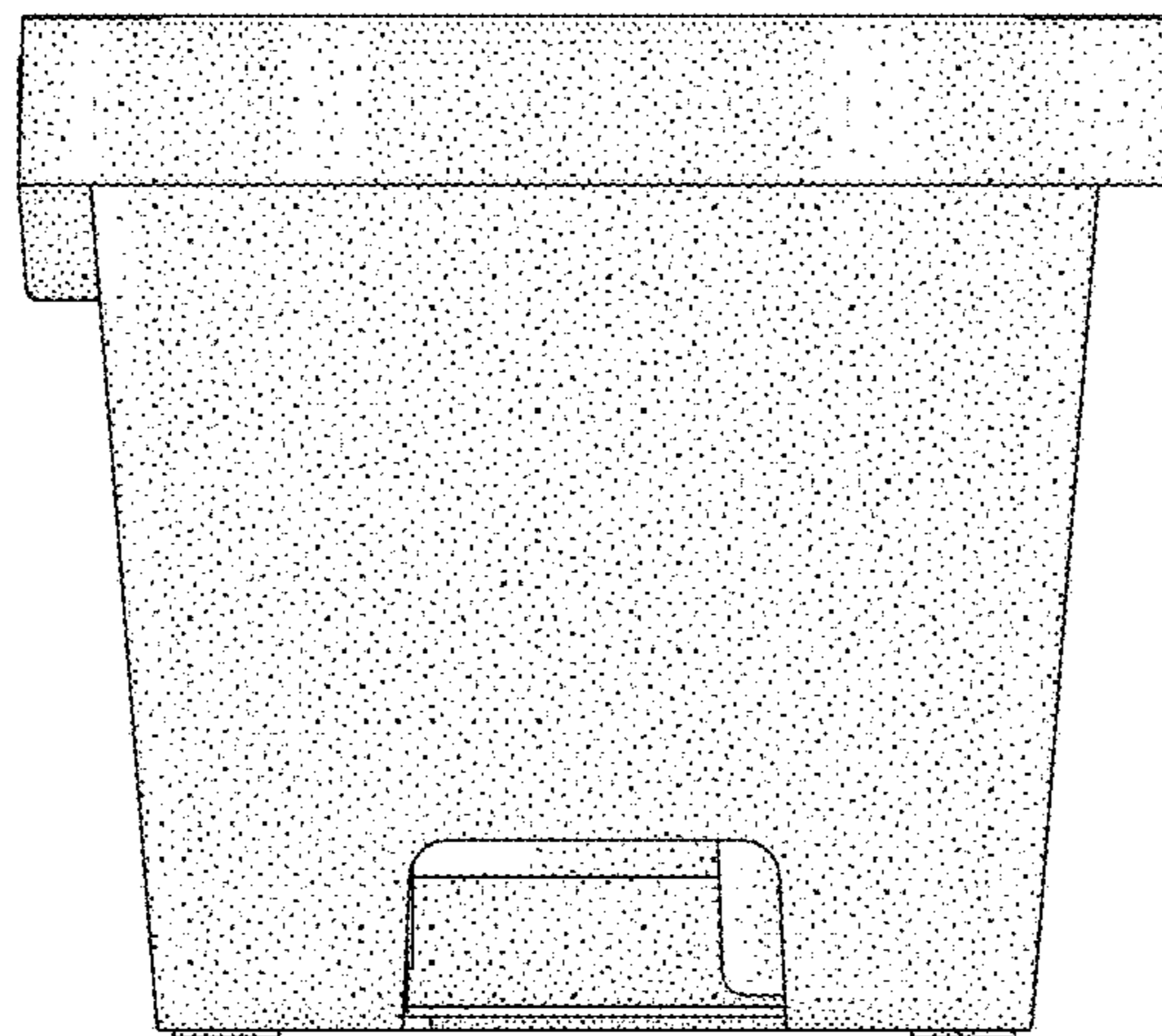


Figure 6

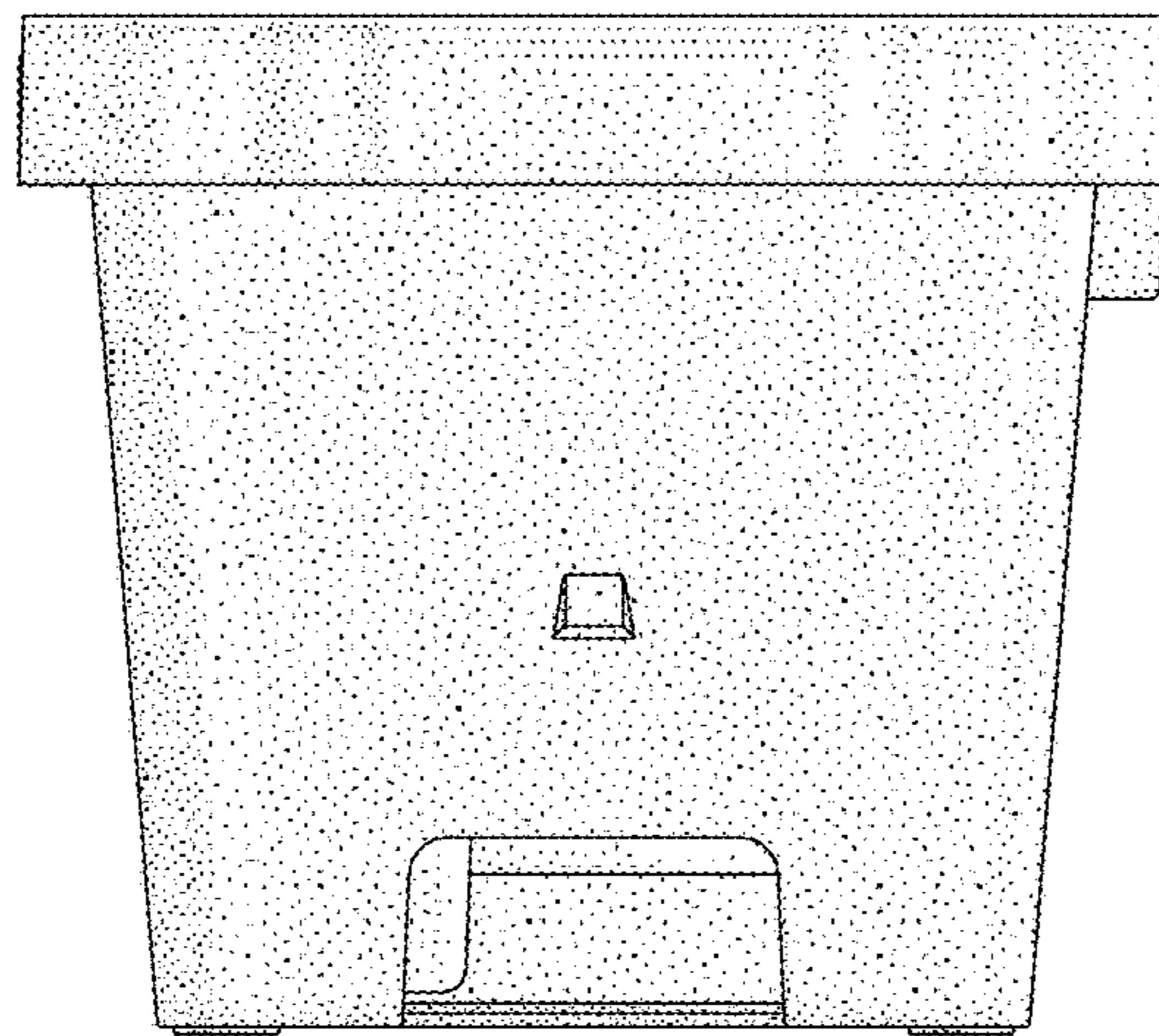


Figure 7

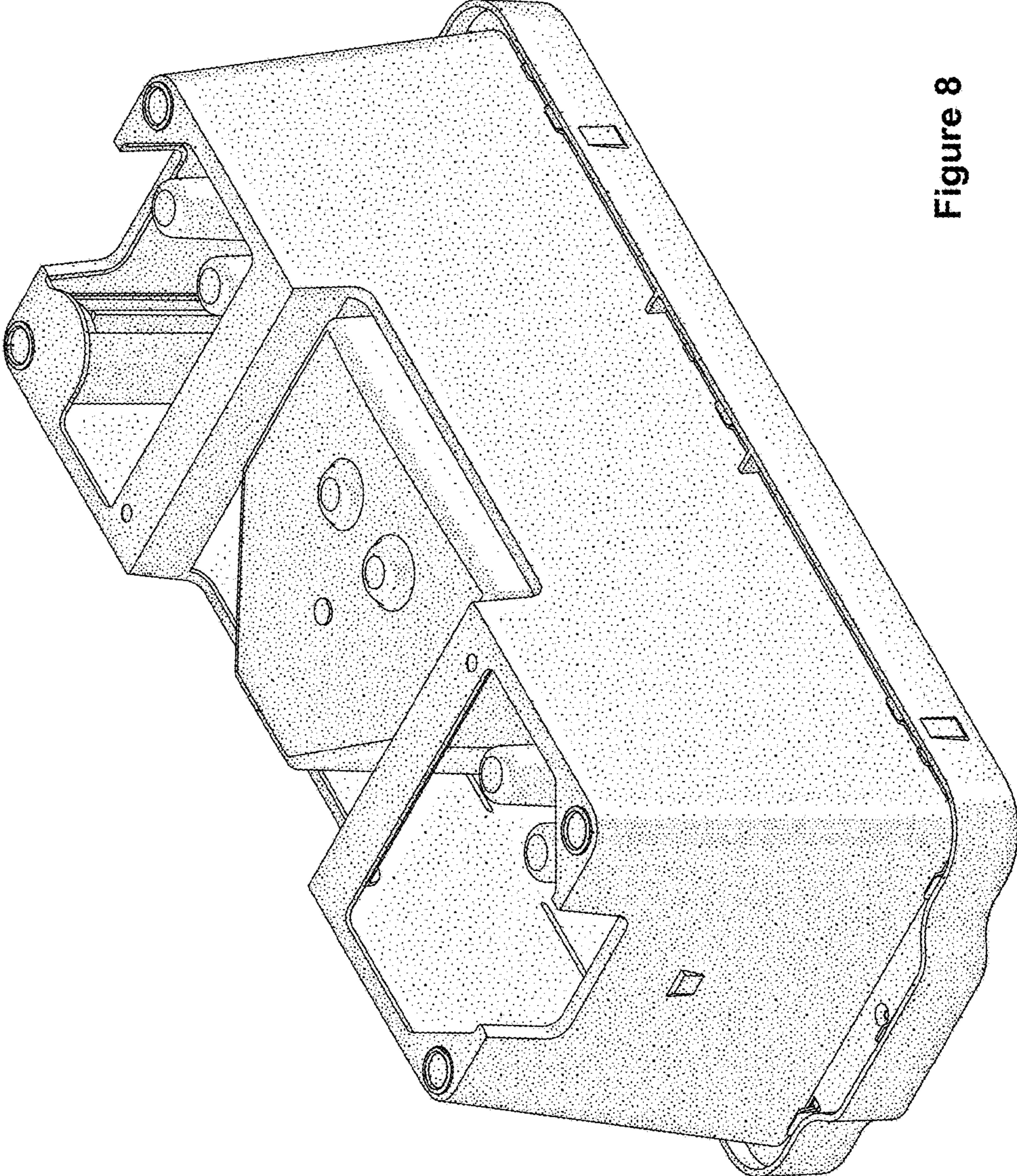


Figure 8

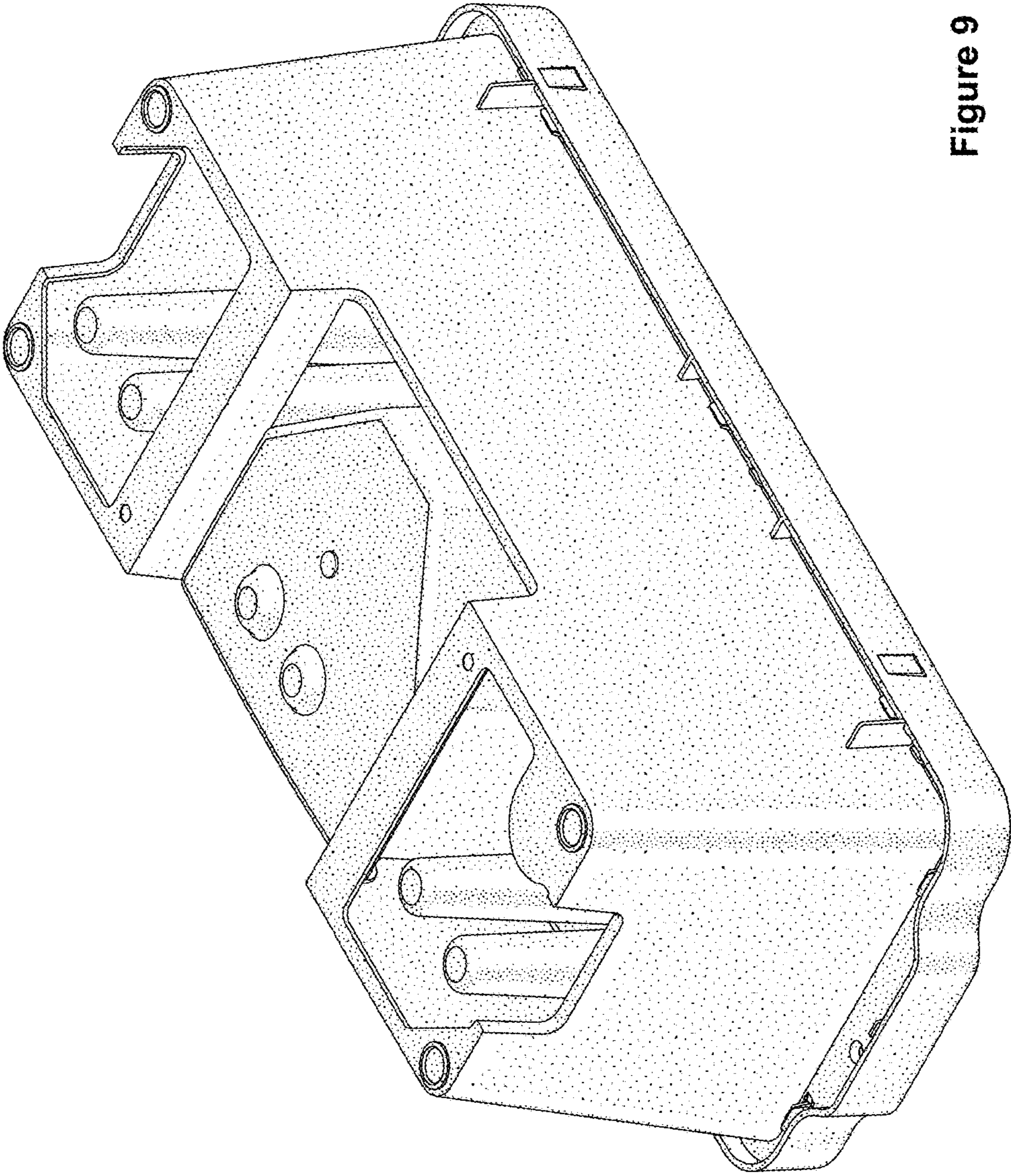


Figure 9

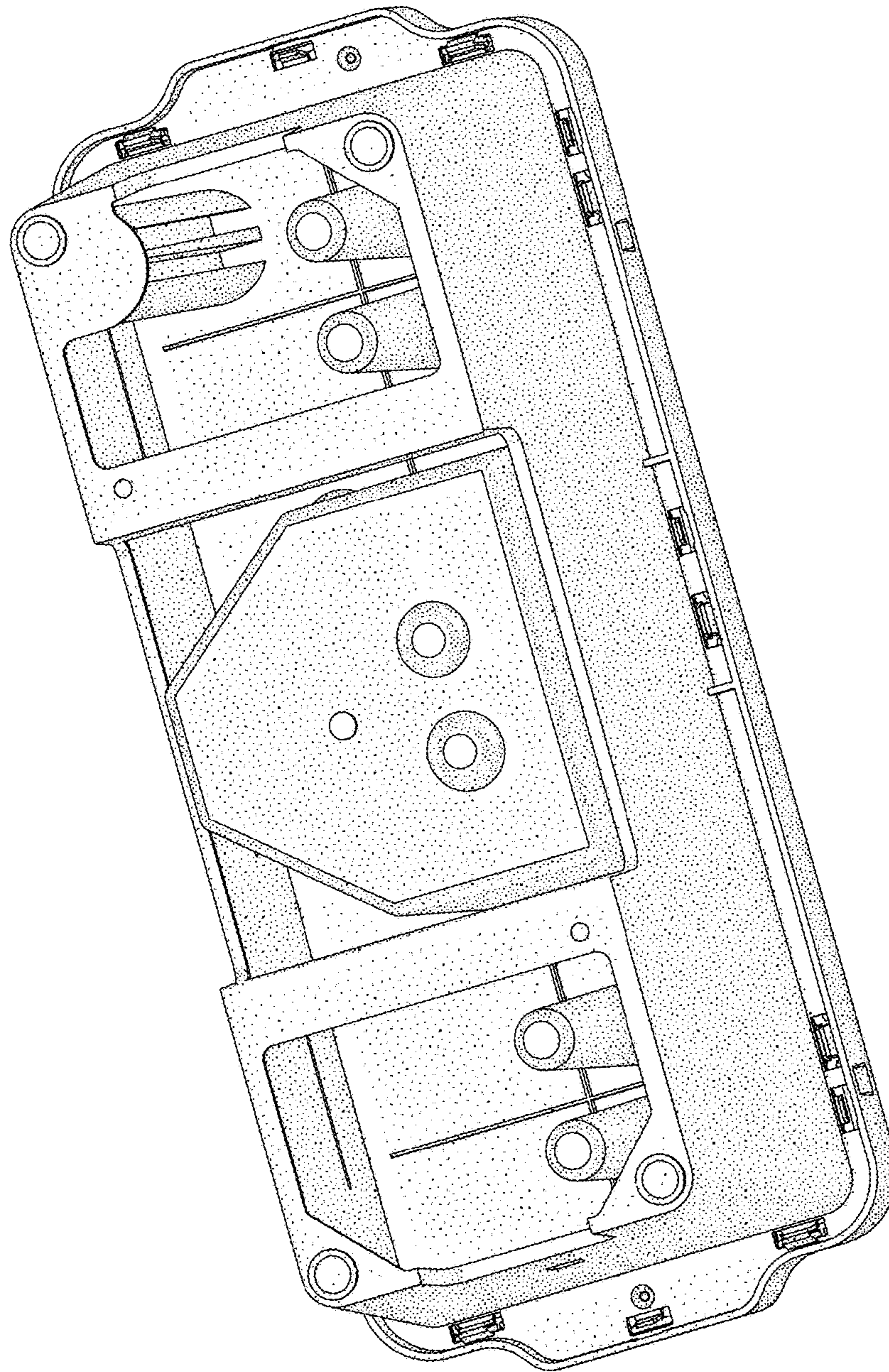


Figure 10

UNITED STATES PATENT AND TRADEMARK OFFICE
CERTIFICATE OF CORRECTION

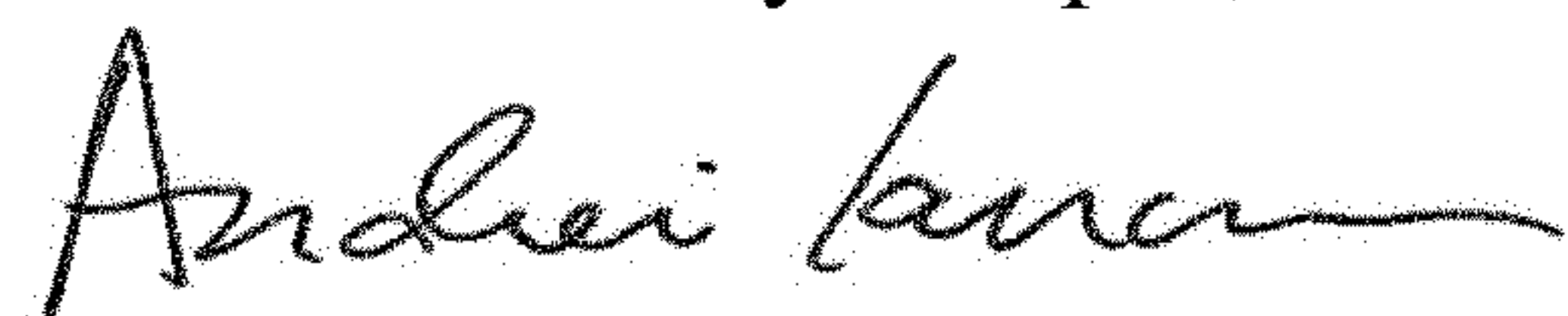
PATENT NO. : D865,214 S
APPLICATION NO. : 29/589640
DATED : October 29, 2019
INVENTOR(S) : Dangelo et al.

Page 1 of 13

It is certified that error appears in the above-identified patent and that said Letters Patent is hereby corrected as shown below:

Please replace Patent No. D865,214 S in its entirety with Patent No. D865,214 S in its entirety as shown on the attached pages.

Signed and Sealed this
Fourteenth Day of April, 2020



Andrei Iancu
Director of the United States Patent and Trademark Office

(12) **United States Design Patent** (10) **Patent No.:** **US D865,214 S**
Dangelo et al. (45) **Date of Patent:** **** Oct. 29, 2019**

(54) **WASH CARTRIDGE**

OTHER PUBLICATIONS

(71) Applicants: **Illumina, Inc.**, San Diego, CA (US);
Illumina Singapore Pte Ltd, Singapore (SG)

U.S. Appl. No. 29/589,638, filed Jan. 3, 2017, Dangelo, et al.
 (Continued)

(72) Inventors: **Michael Thomas Dangelo**, San Diego, CA (US); **James Michael Osmus**, San Diego, CA (US); **Bashkaran Subramanian**, Singapore (SG); **Lea Sandra Kobeli**, San Francisco, CA (US); **Edward Wilson Licitra**, San Francisco, CA (US)

Primary Examiner — Vy N Koenig
 (74) *Attorney, Agent, or Firm* — Weaver Austin Villeneuve & Sampson LLP

(57) **CLAIM**

We claim the ornamental design for a wash cartridge, as shown and described.

DESCRIPTION

(73) Assignees: **Illumina, Singapore Pte. Ltd.**, Singapore (SG); **Illumina, Inc.**, San Diego, CA (US)

FIG. 1 is an isometric view of a wash cartridge.
 FIG. 2 is a right side view of the wash cartridge of FIG. 1.
 FIG. 3 is a left side view of the wash cartridge of FIG. 1.
 FIG. 4 is a top view of the wash cartridge of FIG. 1.
 FIG. 5 is a bottom view of the wash cartridge of FIG. 1.
 FIG. 6 is a rear view of the wash cartridge of FIG. 1.
 FIG. 7 is a front view of the wash cartridge of FIG. 1.
 FIG. 8 is an off-angle view of the underside of the wash cartridge of FIG. 1.

(**) **Term:** **15 Years**

(21) Appl. No.: **29/589,640**

(22) Filed: **Jan. 3, 2017**

(51) **LOC (12) Cl.** **24-02**

(52) **U.S. Cl.** **D24/224**
 USPC

(58) **Field of Classification Search**
 USPC D24/216, 217, 219, 220, 223, 224, 225, D24/226, 227, 232, 233; D9/424, 425,
 (Continued)

FIG. 9 is another off-angle view of the underside of the wash cartridge of FIG. 1; and,
 FIG. 10 is yet another off-angle view of the underside of the wash cartridge of FIG. 1.

(56) **References Cited**

U.S. PATENT DOCUMENTS

4,798,292 A * 1/1989 Hauze A61L 2/26
 206/439
 D332,664 S * 1/1993 Sincock D24/130
 (Continued)

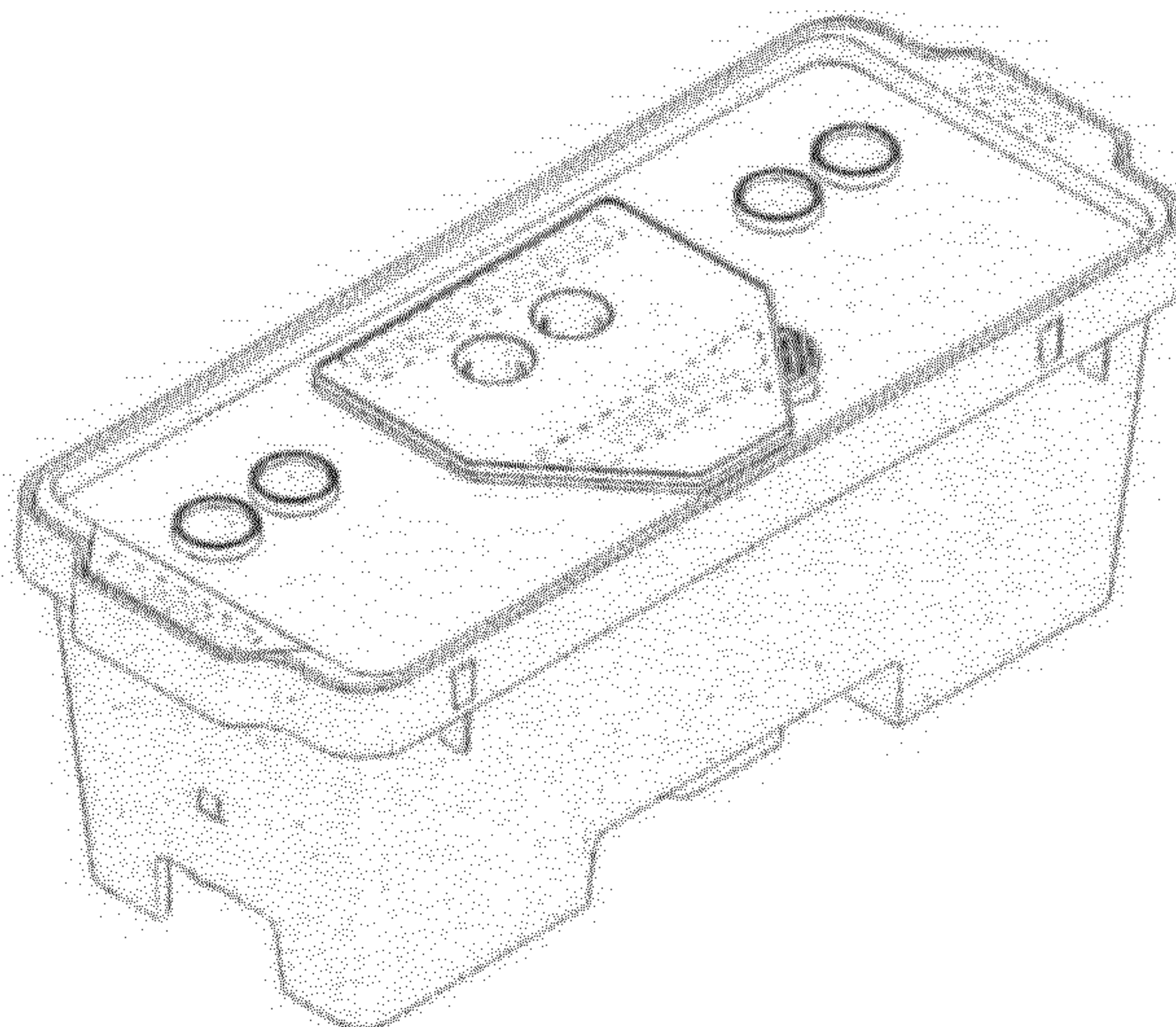
Stipple shading is used in the accompanying FIGS. 1-10 to convey surface contouring and is not indicative of any particular texture or coloring.

Dash-dot-dash boundary lines are used herein to indicate a transition from claimed subject matter to unclaimed environmental structure, as evidenced by the absence of shading within the boundary shape and the presence of shading outside of the boundary shape. See, for example, the dash-dot-dash boundaries around the "illumina" logo, "Insert" text, "Manual Wash Well" text, and "Open & Fill" text, which form no part of the claimed design in FIGS. 1 and 4, and the ">PC<" and "SI" text, which are form no part of the claimed design in FIG. 5.

FOREIGN PATENT DOCUMENTS

TW D182357 S 4/2017

1 Claim, 10 Drawing Sheets



US D865,214 S

Page 2

(58) Field of Classification Search

USPC D9/432, 732, 735, 749, 755, 758, 760;
 D7/550.1, 553.1-553.5, 554.3, 554.4;
 D18/43, 44; D3/294-295
 CPC A47G 23/06; A61B 50/20; A61B 50/30;
 A61J 1/00; C07K 1/26; C12Q 1/00; B01L
 3/50; B01L 3/52; B01L 7/00; B01L 7/02
 See application file for complete search history.

(56) References Cited

U.S. PATENT DOCUMENTS

D339,869 S * 9/1993 Schea, III D24/224
 D438,632 S * 3/2001 Miller D24/216
 D451,278 S * 12/2001 Cooper D3/294
 D510,802 S * 10/2005 Sagol D3/273
 7,036,667 B2 * 5/2006 Greenstein B01L 9/527
 206/205
 D565,742 S * 4/2008 Parunak D24/224
 D566,291 S * 4/2008 Parunak D24/224
 D578,758 S * 10/2008 Stevens D3/272
 D604,604 S * 11/2009 Strange D9/424
 D624,194 S * 9/2010 Pack D24/224
 D632,803 S * 2/2011 Motadel D24/229

D657,473 S * 4/2012 Miyashita D24/224
 D674,112 S * 1/2013 Demas D24/226
 D691,733 S * 10/2013 Demas D24/226
 D699,370 S * 2/2014 Motadel D24/229
 D717,470 S * 11/2014 Demas D24/226
 D724,236 S * 3/2015 Motadel D24/227
 D732,186 S * 6/2015 Burroughs D24/226
 9,198,811 B2 * 12/2015 Pizzato A61F 17/00
 9,610,126 B2 * 4/2017 Griffin A61B 50/30
 D825,774 S * 8/2018 Self D24/224
 D827,149 S * 8/2018 Self D24/224
 10,071,381 B2 * 9/2018 Welch A61B 5/15
 2010/0221151 A1 * 9/2010 Motadel B01L 9/543
 422/526
 2011/0236278 A1 * 9/2011 Motadel B01L 9/543
 422/560
 2014/0234182 A1 * 8/2014 Motadel B01L 9/543
 422/526

OTHER PUBLICATIONS

U.S. Appl. No. 29/589,641, filed Jan. 3, 2017, Dangelo, et al.
 U.S. Appl. No. 29/589,642, filed Jan. 3, 2017, Dangelo, et al.
 U.S. Appl. No. 29/589,643, filed Jan. 3, 2017, Dangelo, et al.

* cited by examiner

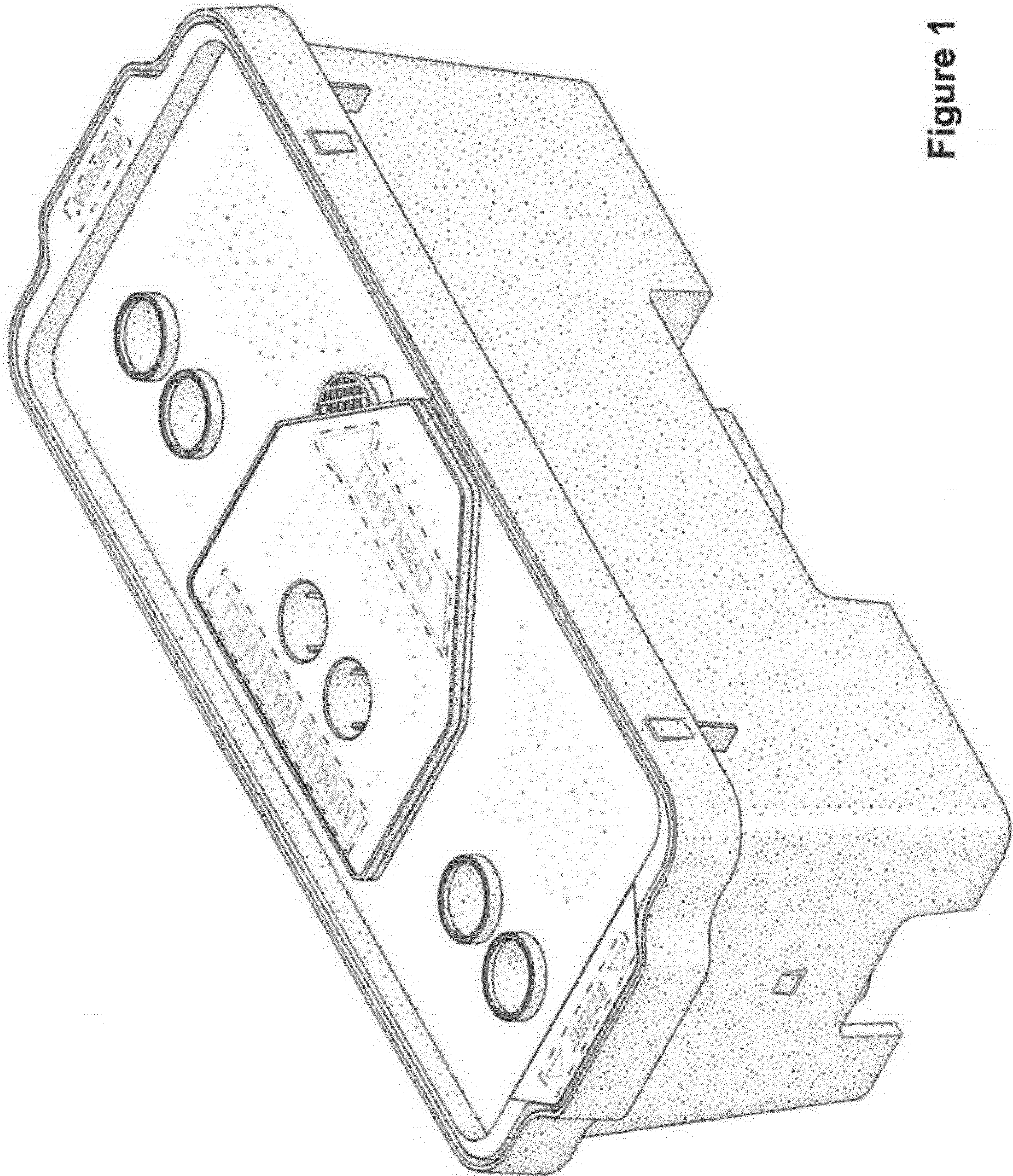


Figure 1

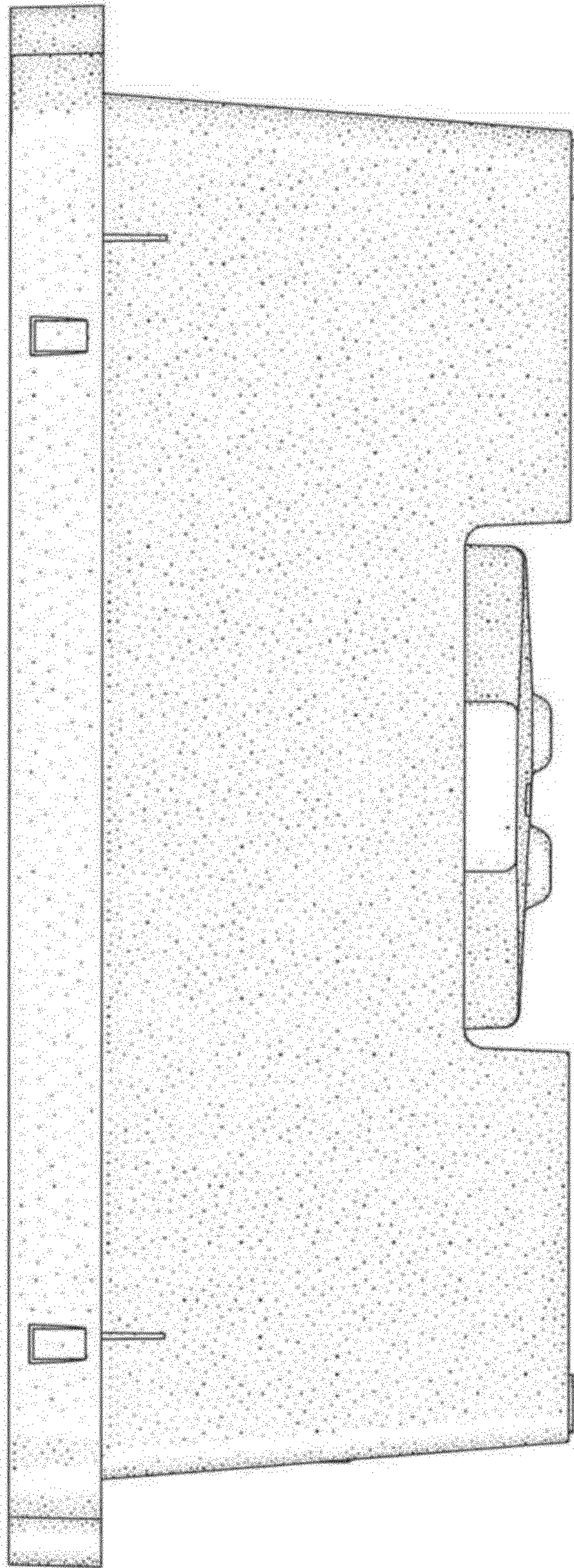


Figure 2

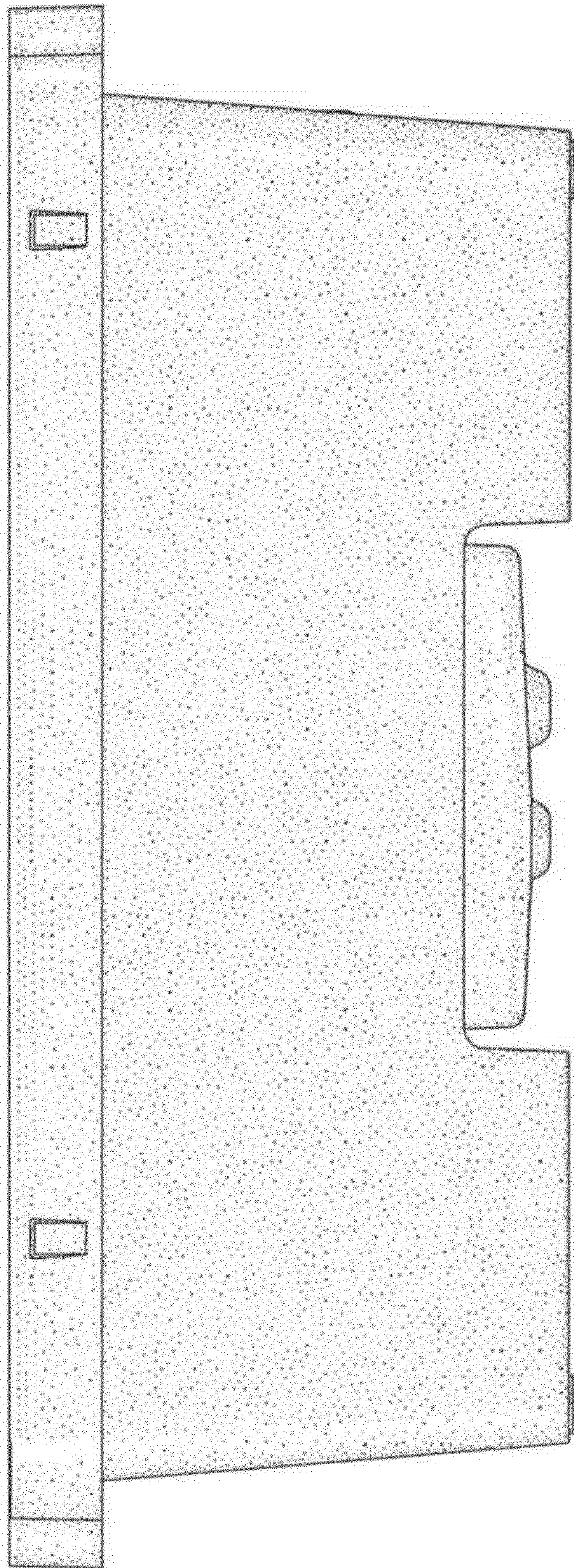


Figure 3

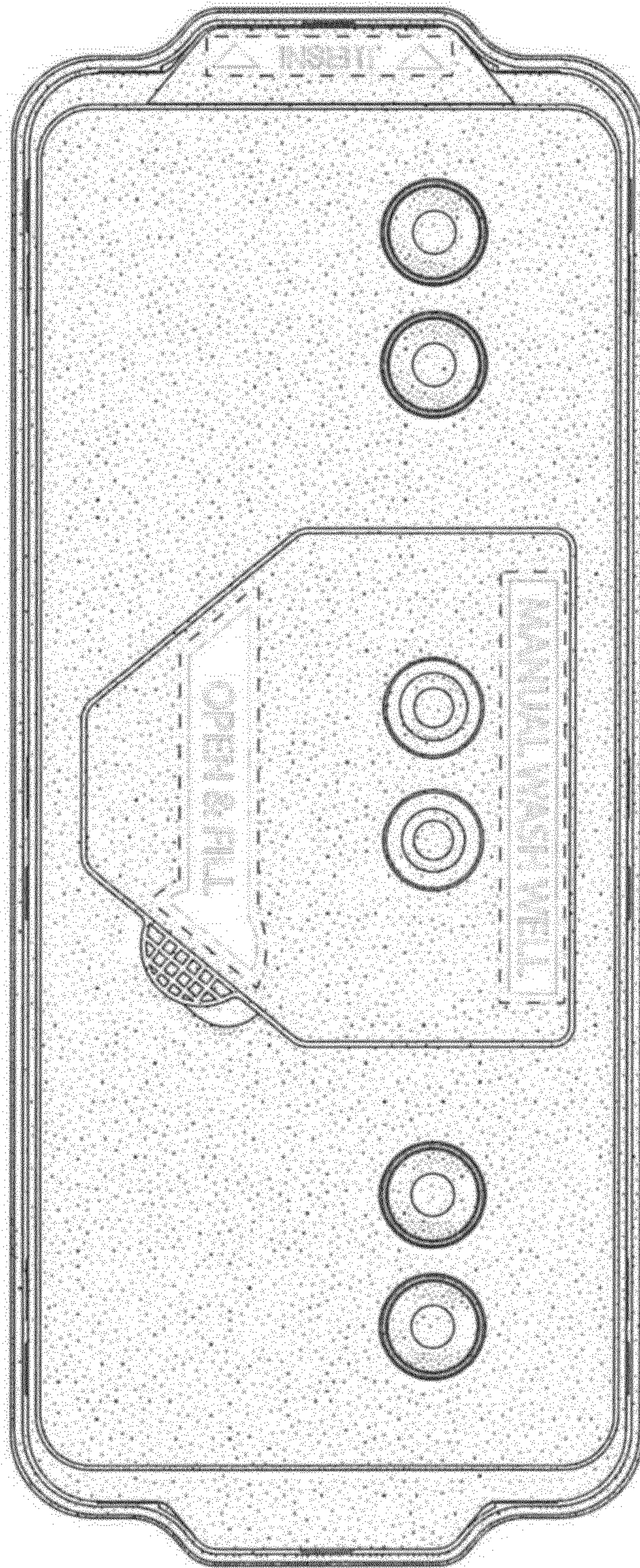


Figure 4

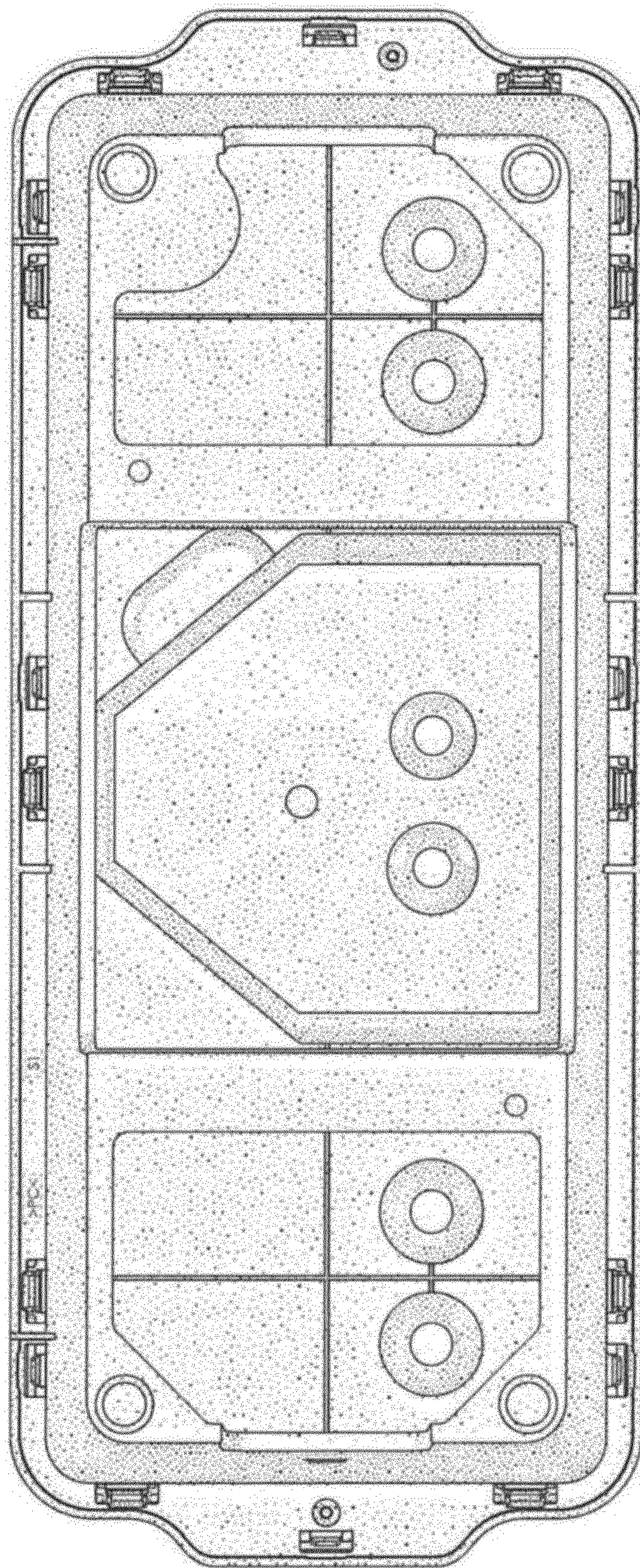


Figure 5

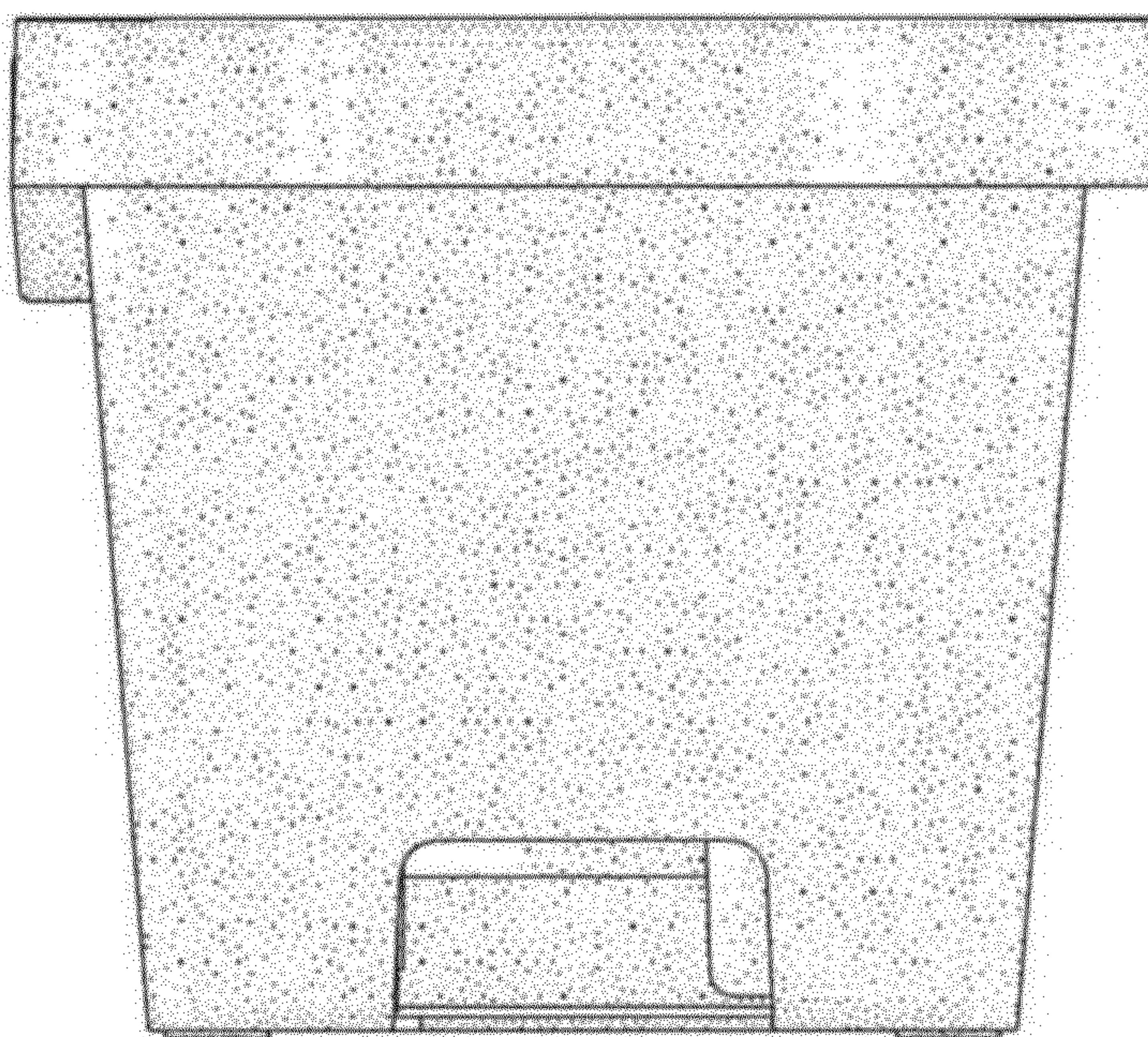


Figure 6

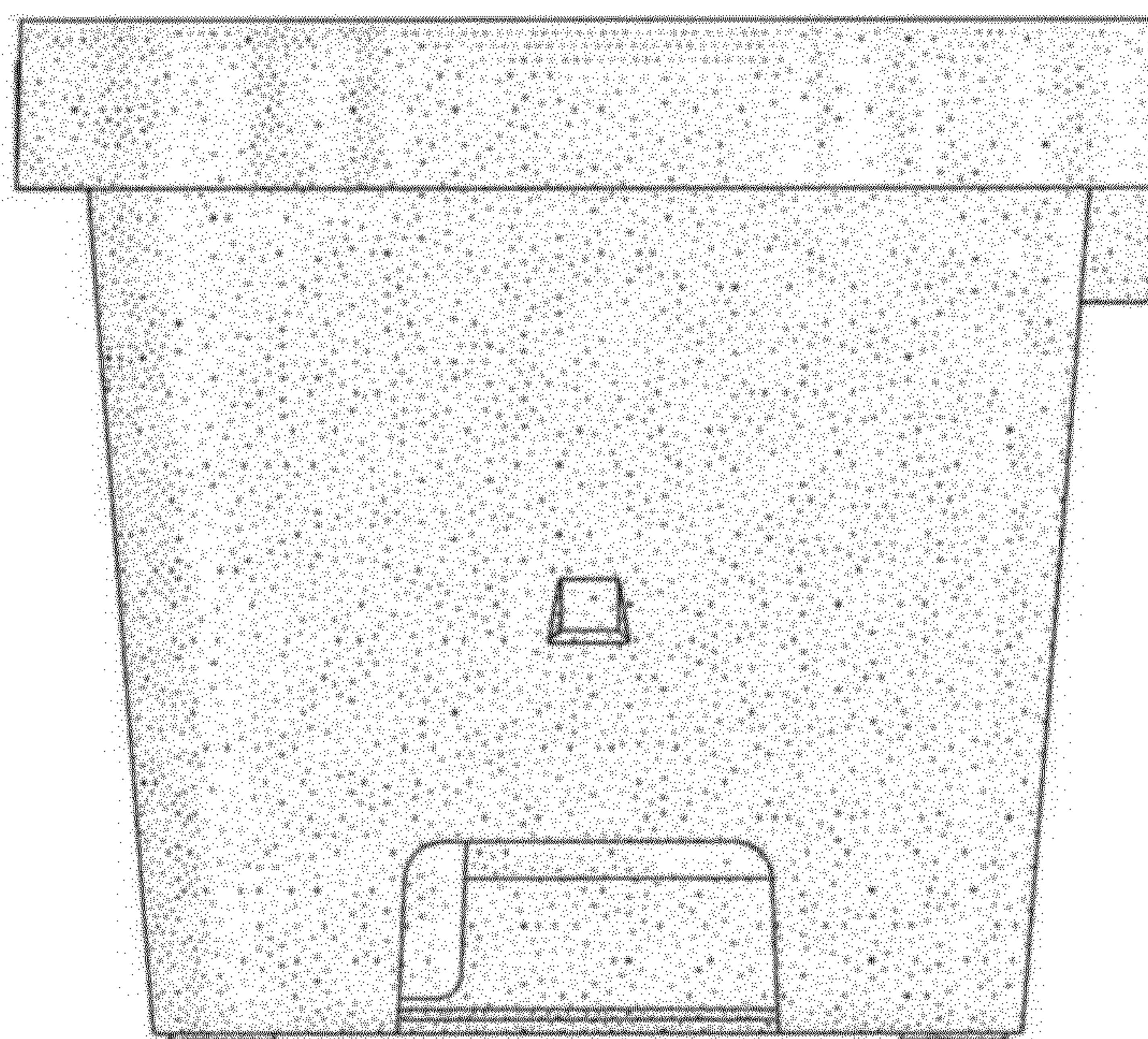


Figure 7

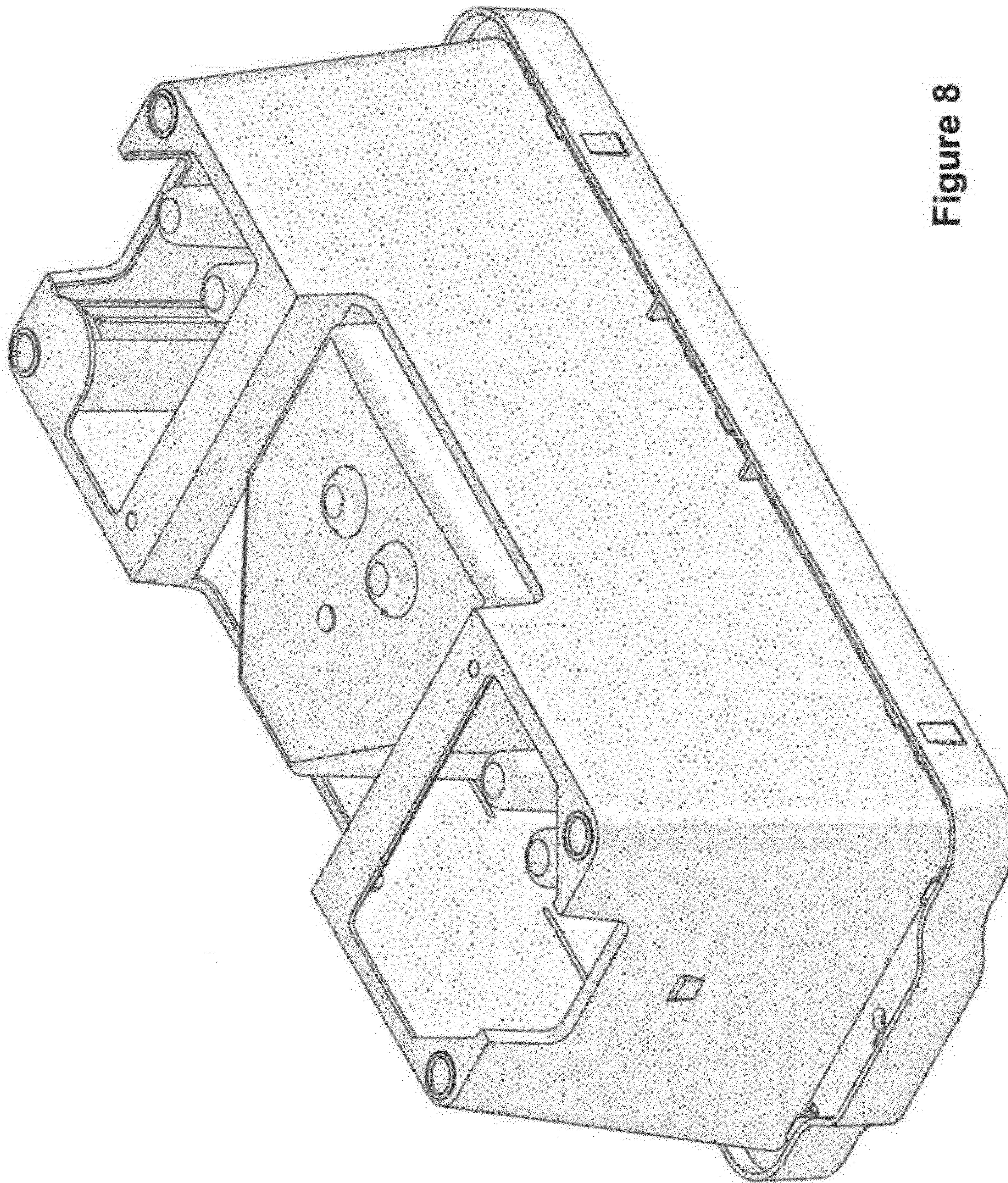


Figure 8

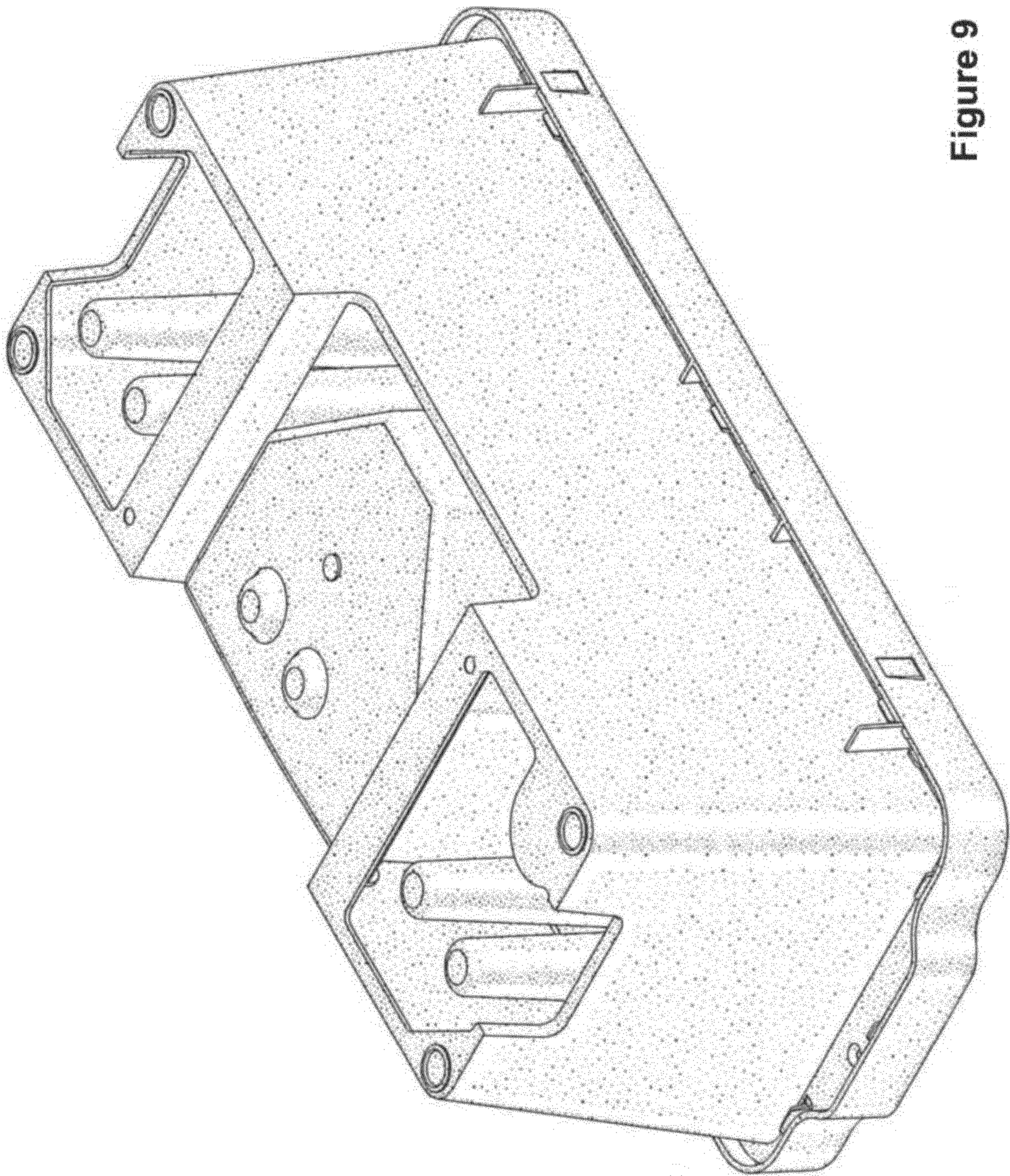


Figure 9

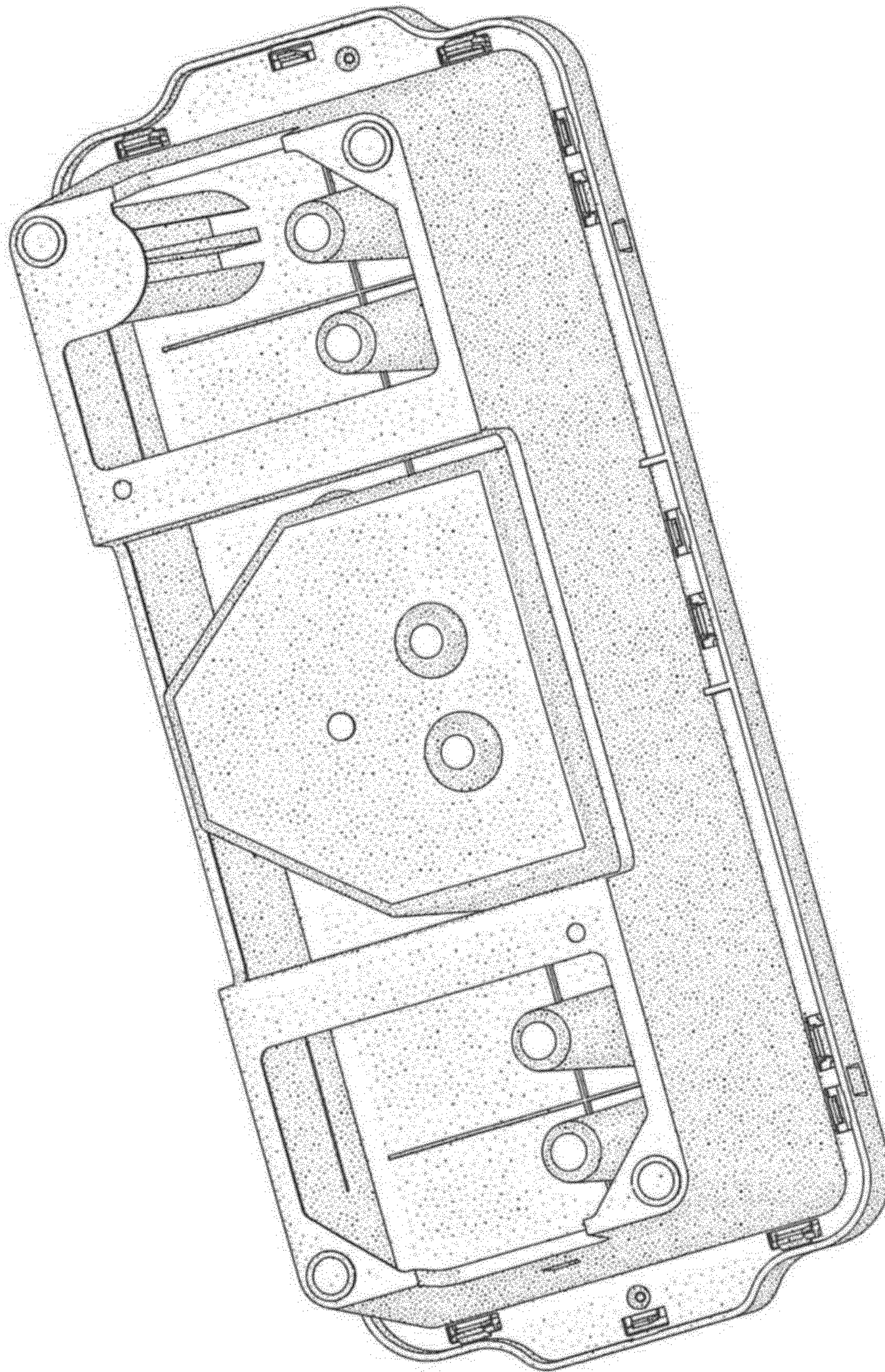


Figure 10