



US00D865213S

(12) **United States Design Patent** (10) **Patent No.:** **US D865,213 S**
Dangelo et al. (45) **Date of Patent:** **** Oct. 29, 2019**

(54) **CARTRIDGE**

FOREIGN PATENT DOCUMENTS

(71) Applicant: **Illumina, Inc.**, San Diego, CA (US)

TW D182357 S 4/2017

(72) Inventors: **Michael Thomas Dangelo**, San Diego, CA (US); **James Michael Osmus**, San Diego, CA (US); **Lea Sandra Kobeli**, San Francisco, CA (US); **Edward Wilson Licitra**, San Francisco, CA (US)

OTHER PUBLICATIONS

U.S. Appl. No. 29/589,640, filed Jan. 3, 2017, Dangelo, et al.
(Continued)

(73) Assignee: **Illumina, Inc.**, San Diego, CA (US)

Primary Examiner — Vy N Koenig
(74) *Attorney, Agent, or Firm* — Weaver Austin Villeneuve & Sampson LLP

(**) Term: **15 Years**

(57) **CLAIM**

(21) Appl. No.: **29/589,638**

We claim the ornamental design for a cartridge, as shown and described.

(22) Filed: **Jan. 3, 2017**

DESCRIPTION

(51) **LOC (12) Cl.** **24-02**

(52) **U.S. Cl.**

USPC **D24/224**

(58) **Field of Classification Search**

USPC D9/414-432, 433, 434, 456, 457, 500,
D9/520, 549, 558, 711, 713, 721-722,
D9/772; D3/290, 304, 305, 315;
D24/216-224

CPC ... B65D 5/00; B65D 5/02; B65D 5/18; B65D
5/20

See application file for complete search history.

FIG. 1 is an isometric view of a cartridge.
FIG. 2 is a right side view of the cartridge of FIG. 1.
FIG. 3 is a left side view of the cartridge of FIG. 1.
FIG. 4 is a top view of the cartridge of FIG. 1.
FIG. 5 is a bottom view of the cartridge of FIG. 1.
FIG. 6 is a rear view of the cartridge of FIG. 1.
FIG. 7 is a front view of the cartridge of FIG. 1.
FIG. 8 is an off-angle view of the underside of the cartridge of FIG. 1; and,
FIG. 9 is another off-angle view of the underside of the cartridge of FIG. 1.

Stipple shading is used in the accompanying FIGS. 1-9 to convey surface contouring and is not indicative of any particular texture, coloring, or opacity/transparency.

Dash-dot-dash boundary lines are used herein to indicate a transition from claimed subject matter to unclaimed environmental structure, as evidenced by the absence of shading within the boundary shape and the presence of shading outside of the boundary shape. See, for example, the dash-dot-dash boundaries around the “illumina®”, “INSERT” and “1” text, which are disclaimed in FIGS. 1 and 4.

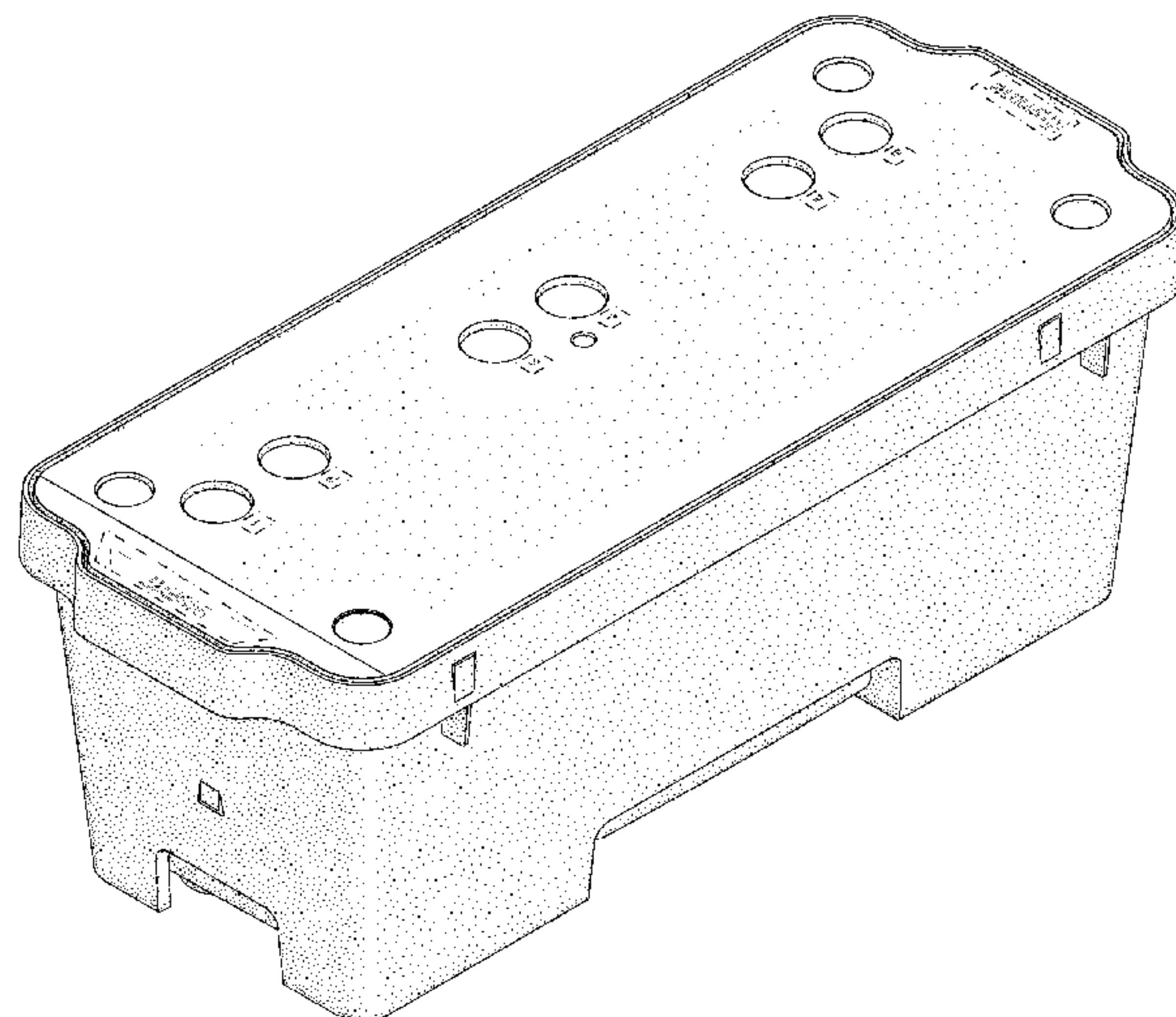
(56) **References Cited**

U.S. PATENT DOCUMENTS

4,798,292	A *	1/1989	Hauze	A61L 2/26 206/439
D332,664	S *	1/1993	Sincock	D24/130
D339,869	S *	9/1993	Schea, III	D24/224
D438,632	S *	3/2001	Miller	D24/216
D451,278	S *	12/2001	Cooper	D3/294
D510,802	S *	10/2005	Sagol	D3/273
7,036,667	B2 *	5/2006	Greenstein	B01L 9/527 206/205

(Continued)

1 Claim, 9 Drawing Sheets



(56)

References Cited

U.S. PATENT DOCUMENTS

D565,742	S	*	4/2008	Parunak	D24/224
D566,291	S	*	4/2008	Parunak	D24/224
D578,758	S	*	10/2008	Stevens	D3/272
D604,604	S	*	11/2009	Strange	D9/424
D624,194	S	*	9/2010	Pack	D24/224
D632,803	S	*	2/2011	Motadel	D24/229
D657,473	S	*	4/2012	Miyashita	D24/224
D674,112	S	*	1/2013	Demas	D24/226
D691,733	S	*	10/2013	Demas	D24/226
D699,370	S	*	2/2014	Motadel	D24/229
D717,470	S	*	11/2014	Demas	D24/226
D724,236	S	*	3/2015	Motadel	D24/227
D732,186	S	*	6/2015	Burroughs	D24/226
9,198,811	B2	*	12/2015	Pizzato	A61F 17/00
9,610,126	B2	*	4/2017	Griffin	A61B 50/30
D825,774	S	*	8/2018	Self	D24/224
D827,149	S	*	8/2018	Self	D24/224
10,071,381	B2	*	9/2018	Welch	A61B 5/15

OTHER PUBLICATIONS

U.S. Appl. No. 29/589,641, filed Jan. 3, 2017, Dangelo, et al.

U.S. Appl. No. 29/589,642, filed Jan. 3, 2017, Dangelo, et al.

U.S. Appl. No. 29/589,643, filed Jan. 3, 2017, Dangelo, et al.

* cited by examiner

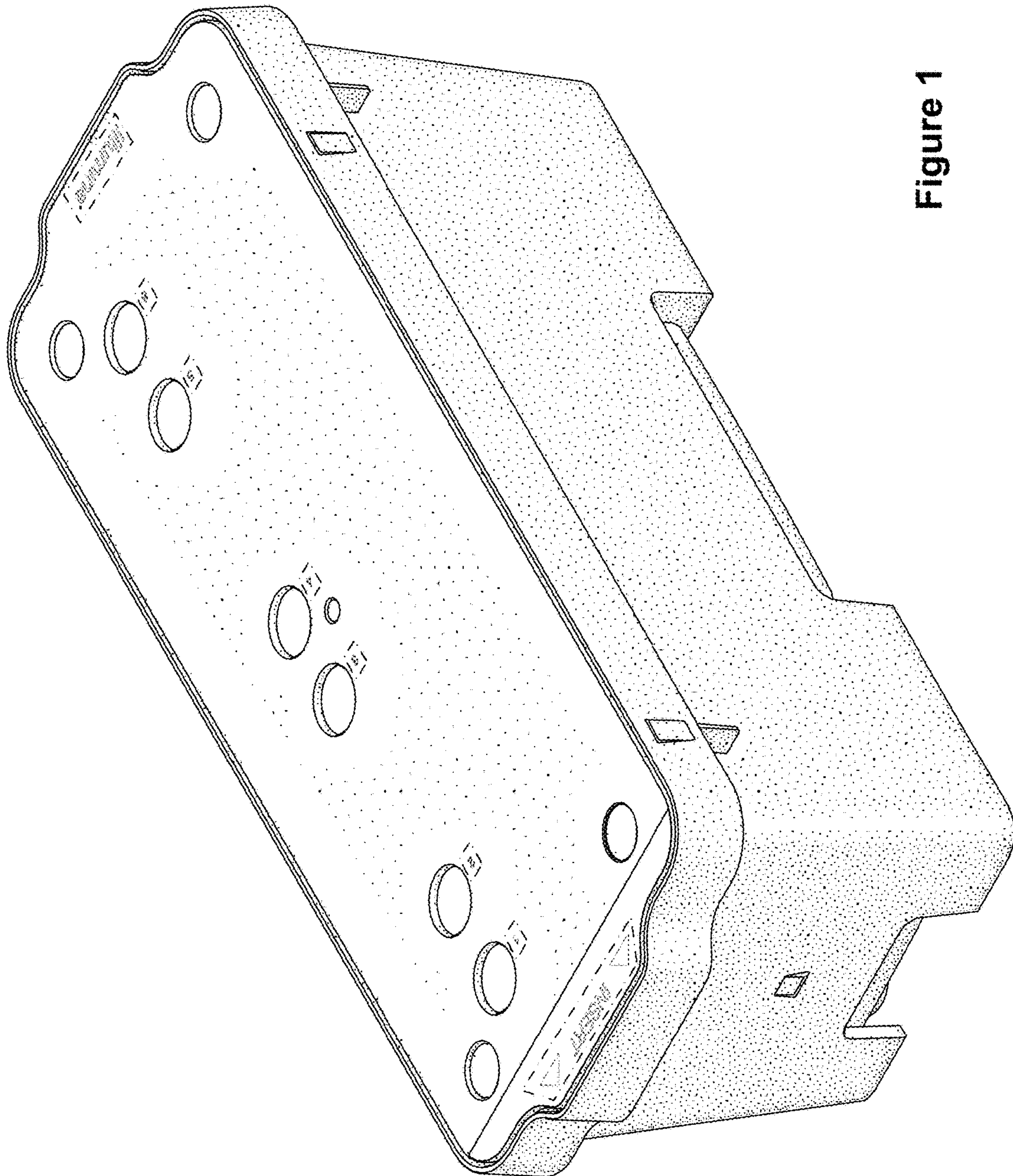


Figure 1

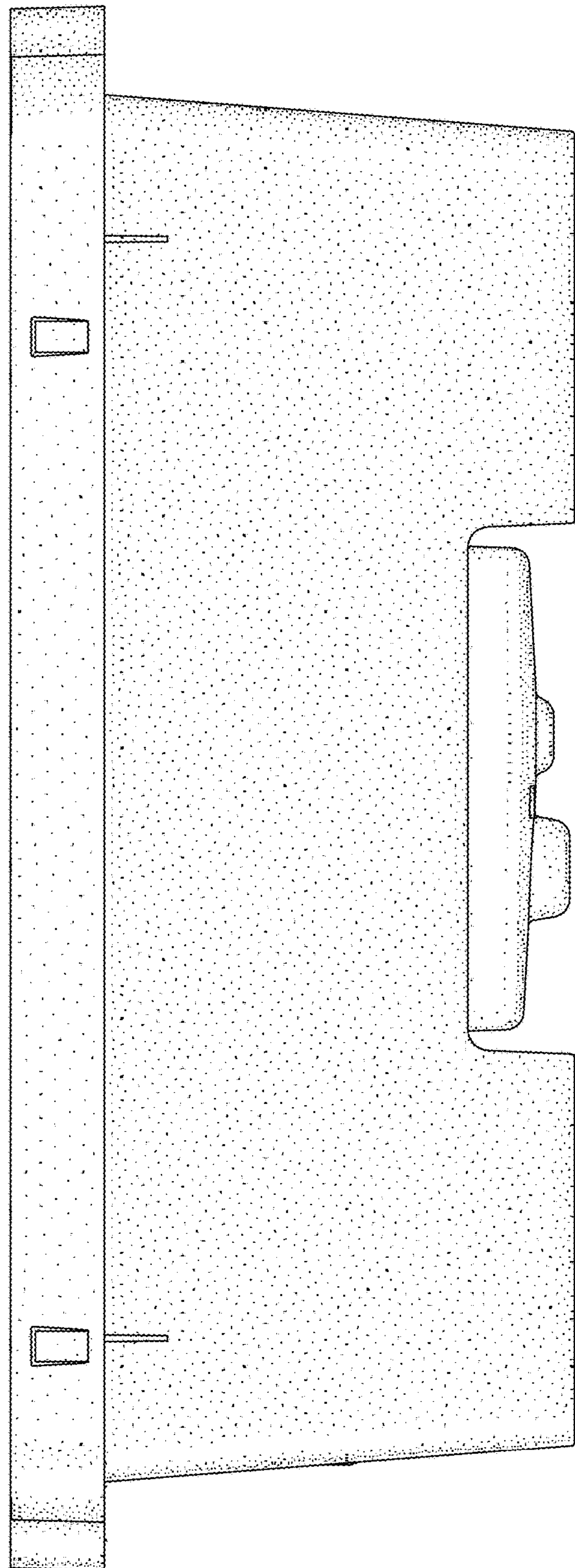


Figure 2

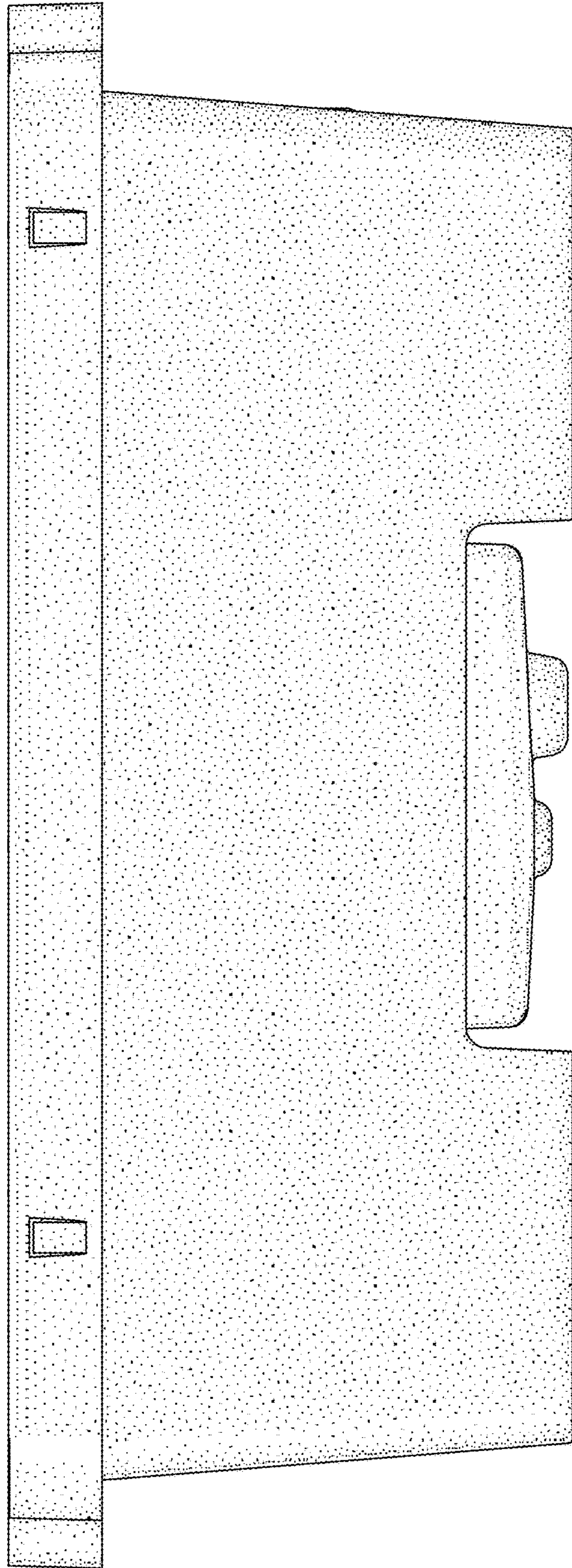


Figure 3

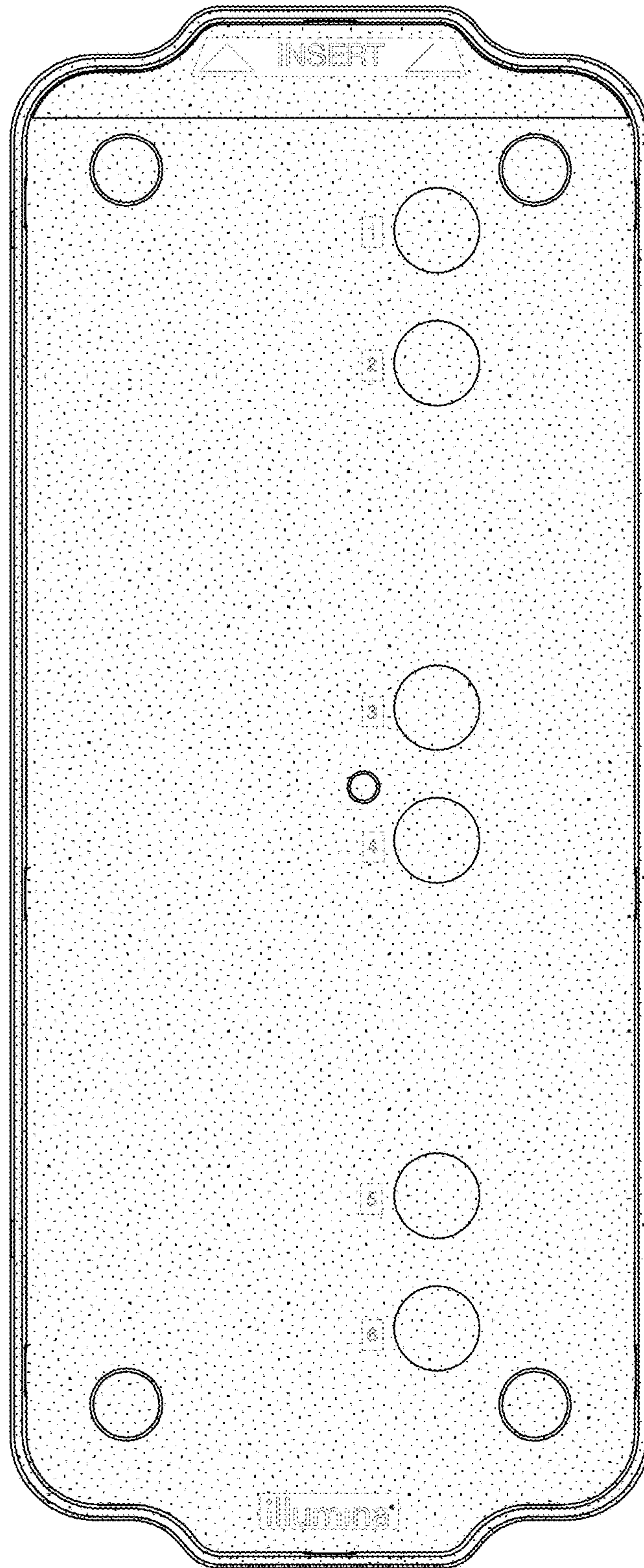


Figure 4

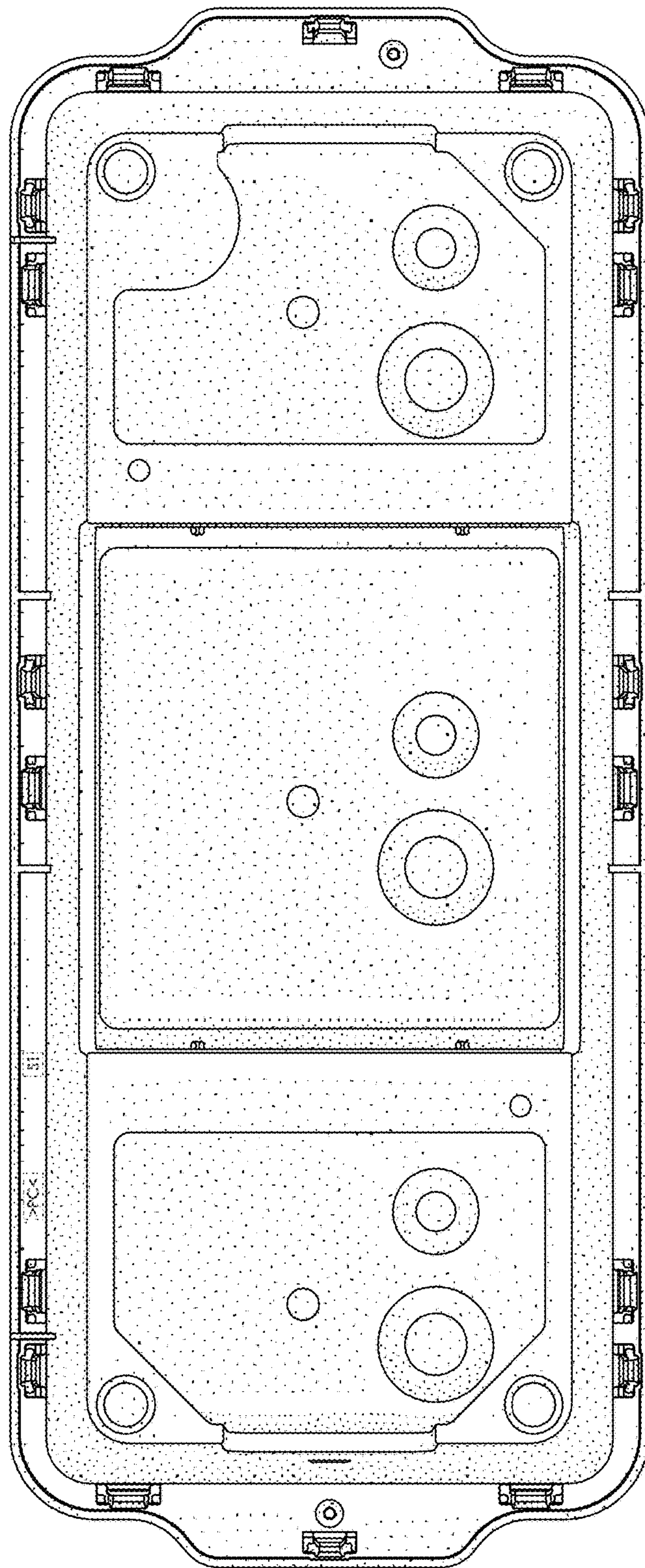


Figure 5

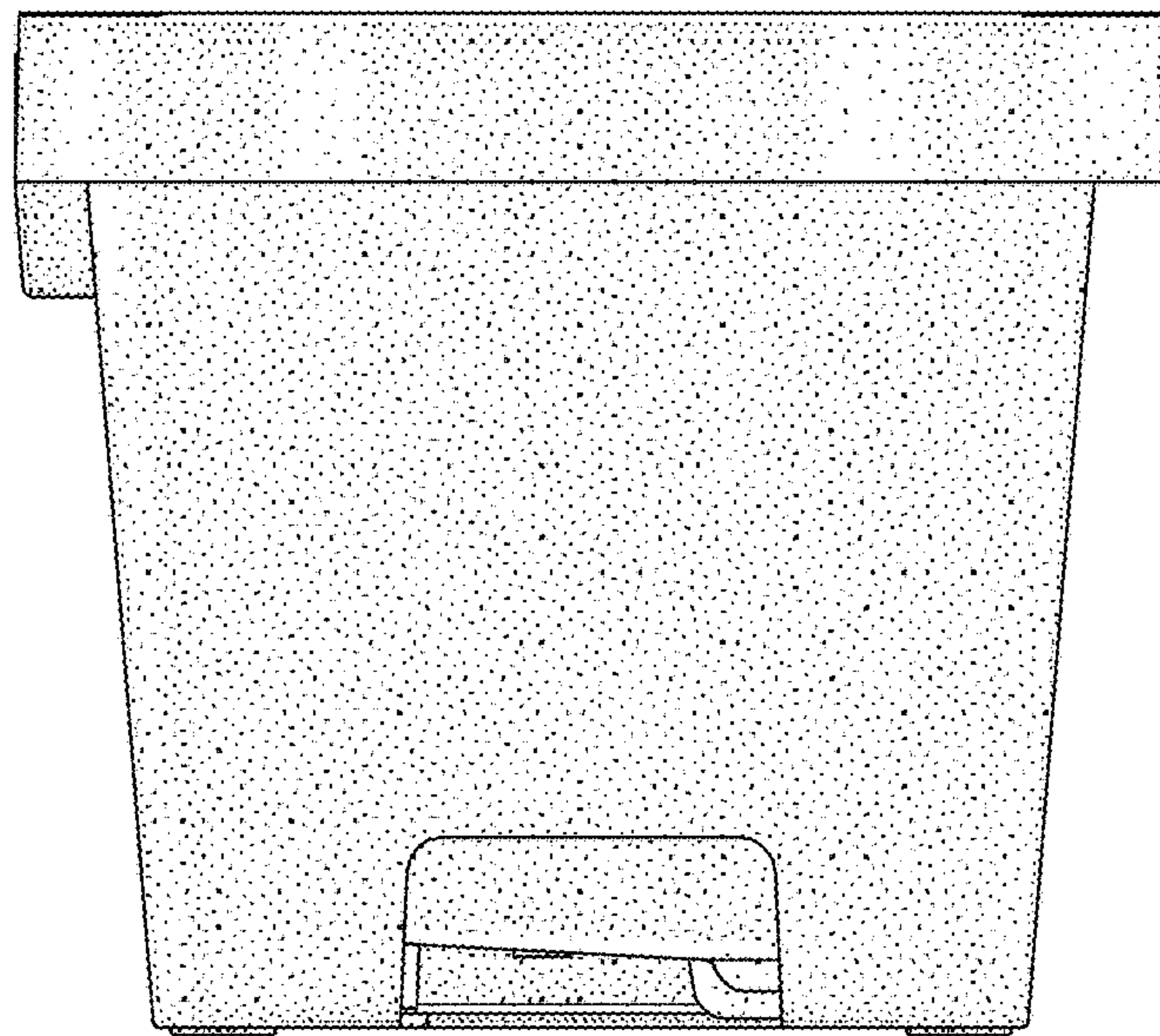


Figure 6

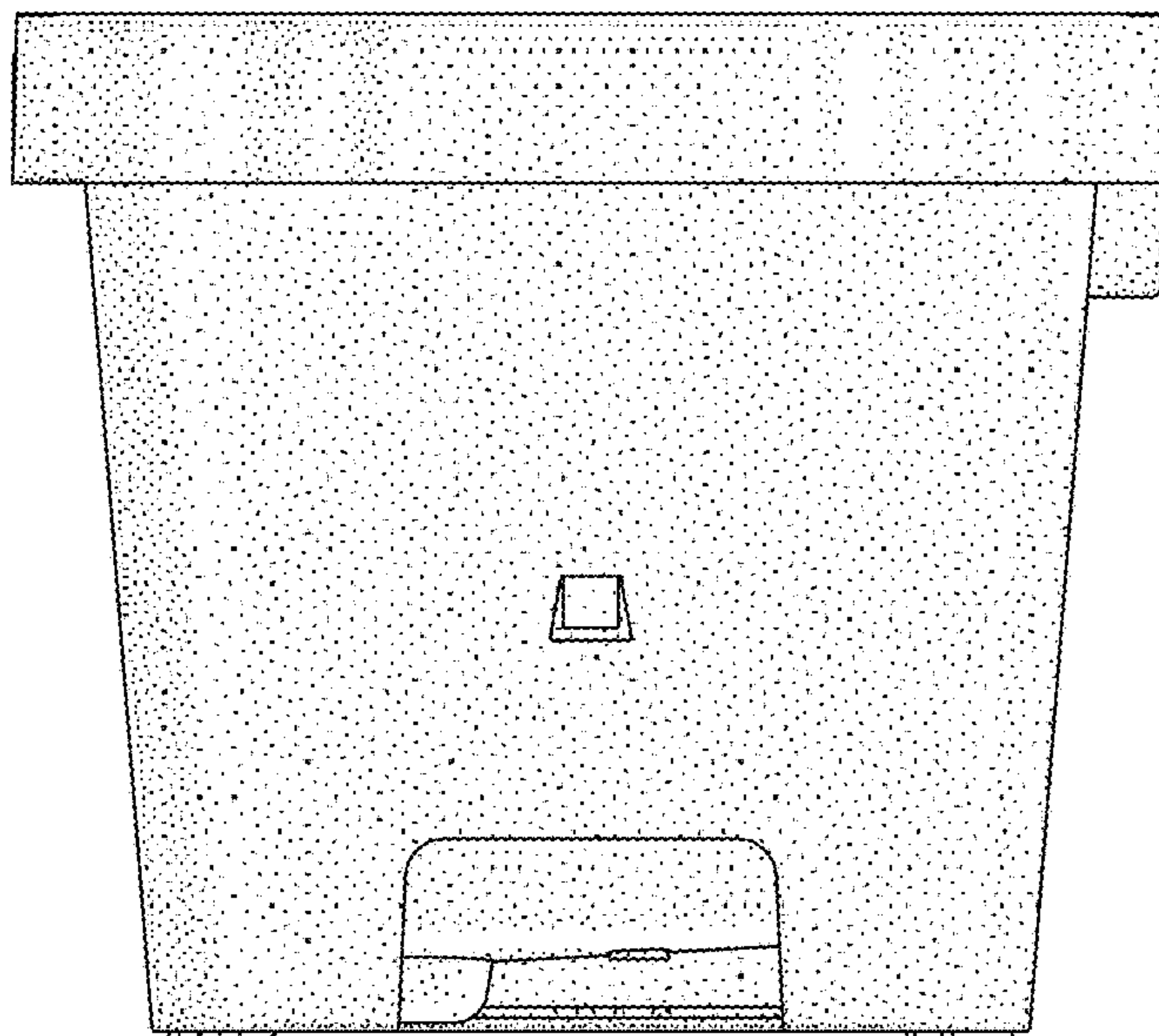


Figure 7

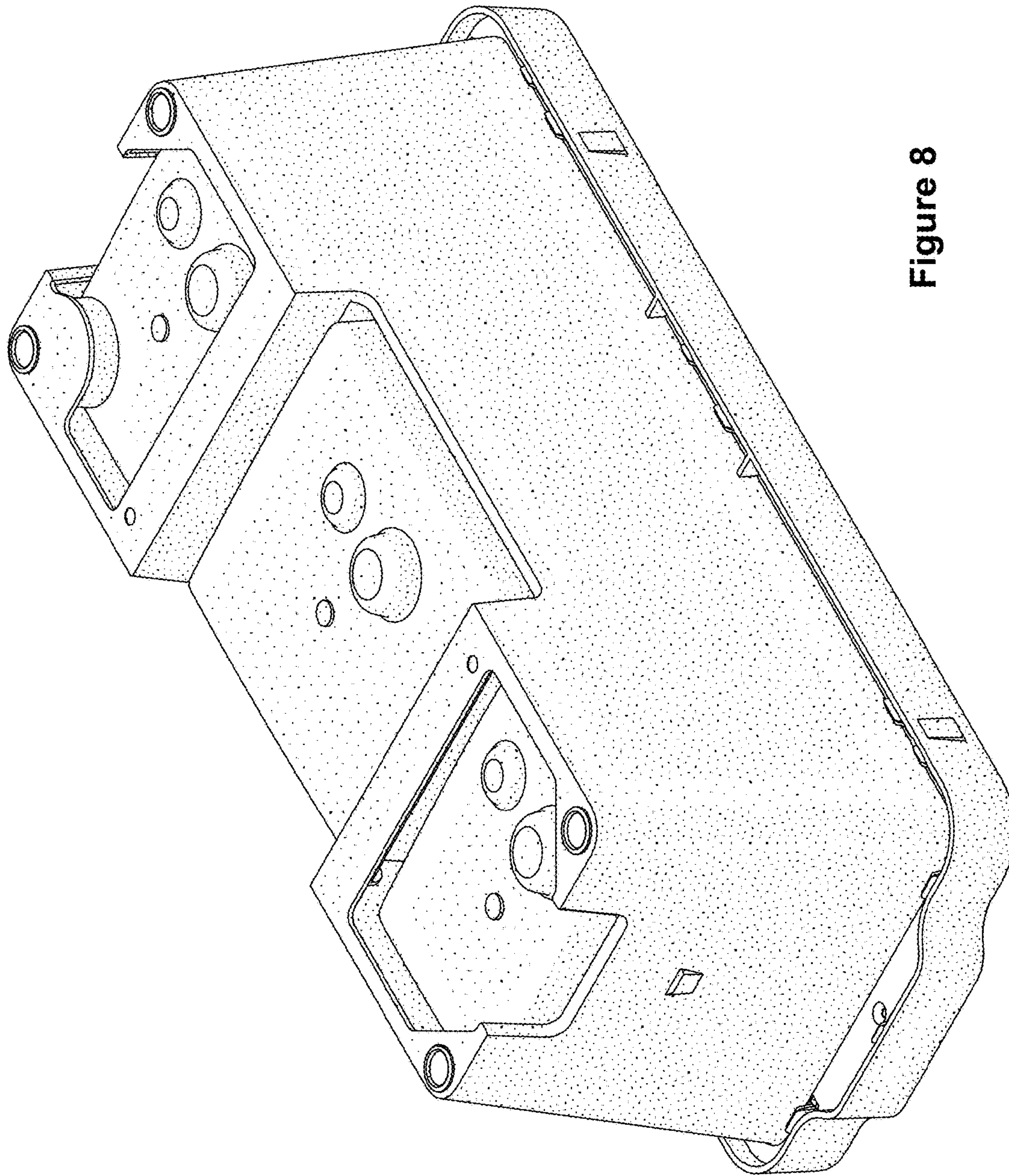


Figure 8

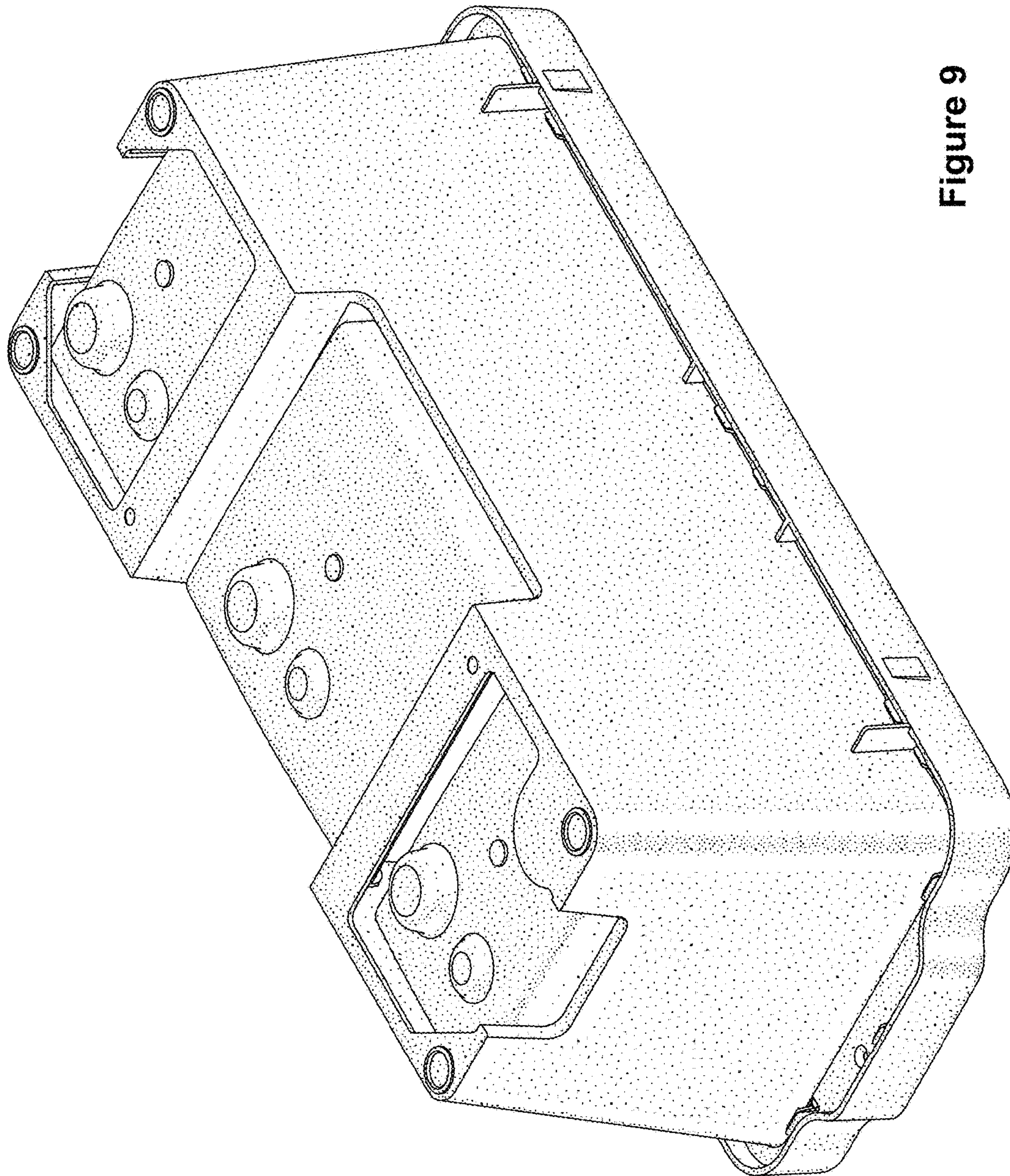


Figure 9

UNITED STATES PATENT AND TRADEMARK OFFICE
CERTIFICATE OF CORRECTION

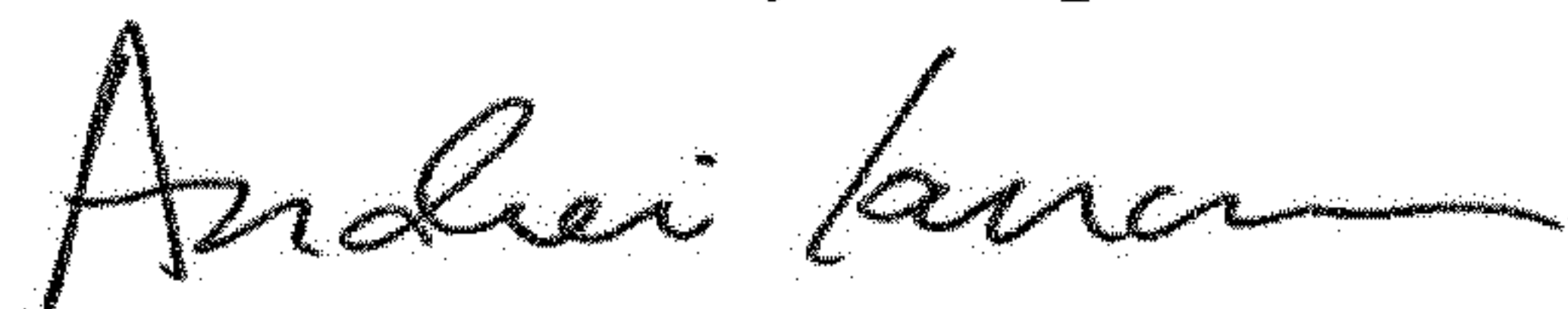
PATENT NO. : D865,213 S
APPLICATION NO. : 29/589638
DATED : October 29, 2019
INVENTOR(S) : Dangelo et al.

Page 1 of 12

It is certified that error appears in the above-identified patent and that said Letters Patent is hereby corrected as shown below:

Please delete Patent No. D865,213 S in its entirety and insert Patent No. D865,213 S in its entirety as shown on the attached pages.

Signed and Sealed this
Fourteenth Day of April, 2020



Andrei Iancu
Director of the United States Patent and Trademark Office

(12) **United States Design Patent** (10) Patent No.: **US D865,213 S**
Dangelo et al. (45) Date of Patent: **** Oct. 29, 2019**

(54) **CARTRIDGE**

FOREIGN PATENT DOCUMENTS

(71) Applicant: **Illumina, Inc.**, San Diego, CA (US)

TW D182357 S 4/2017

(72) Inventors: **Michael Thomas Dangelo**, San Diego, CA (US); **James Michael Osmus**, San Diego, CA (US); **Lea Sandra Kobeli**, San Francisco, CA (US); **Edward Wilson Licitra**, San Francisco, CA (US)

OTHER PUBLICATIONS

U.S. Appl. No. 29/589,640, filed Jan. 3, 2017, Dangelo, et al.
 (Continued)

(73) Assignee: **Illumina, Inc.**, San Diego, CA (US)

Primary Examiner — Vy N Koenig
 (74) *Attorney, Agent, or Firm* — Weaver Austin Villeneuve & Sampson LLP

(**) Term: **15 Years**

(57) **CLAIM**

(21) Appl. No.: **29/589,638**

We claim the ornamental design for a cartridge, as shown and described.

(22) Filed: **Jan. 3, 2017**

DESCRIPTION

(51) **LOC (12) CI.** **24-02**

(52) **U.S. CI.**
 USPC **D24/224**

(58) **Field of Classification Search**
 USPC D9/414-432, 433, 434, 456, 457, 500,
 D9/520, 549, 558, 711, 713, 721-722,
 D9/772; D3/290, 304, 305, 315;
 D24/216-224
 CPC ... B65D 5/00; B65D 5/02; B65D 5/18; B65D
 5/20

See application file for complete search history.

FIG. 1 is an isometric view of a cartridge.
 FIG. 2 is a right side view of the cartridge of FIG. 1.
 FIG. 3 is a left side view of the cartridge of FIG. 1.
 FIG. 4 is a top view of the cartridge of FIG. 1.
 FIG. 5 is a bottom view of the cartridge of FIG. 1.
 FIG. 6 is a rear view of the cartridge of FIG. 1.
 FIG. 7 is a front view of the cartridge of FIG. 1.
 FIG. 8 is an off-angle view of the underside of the cartridge of FIG. 1; and,
 FIG. 9 is another off-angle view of the underside of the cartridge of FIG. 1.
 Stipple shading is used in the accompanying FIGS. 1-9 to convey surface contouring and is not indicative of any particular texture, coloring, or opacity/transparency.
 Dash-dot-dash boundary lines are used herein to indicate a transition from claimed subject matter to unclaimed environmental structure, as evidenced by the absence of shading within the boundary shape and the presence of shading outside of the boundary shape. See, for example, the dash-dot-dash boundaries around the “illumina®”, “INSERT” and “1” text, which are disclaimed in FIGS. 1 and 4.

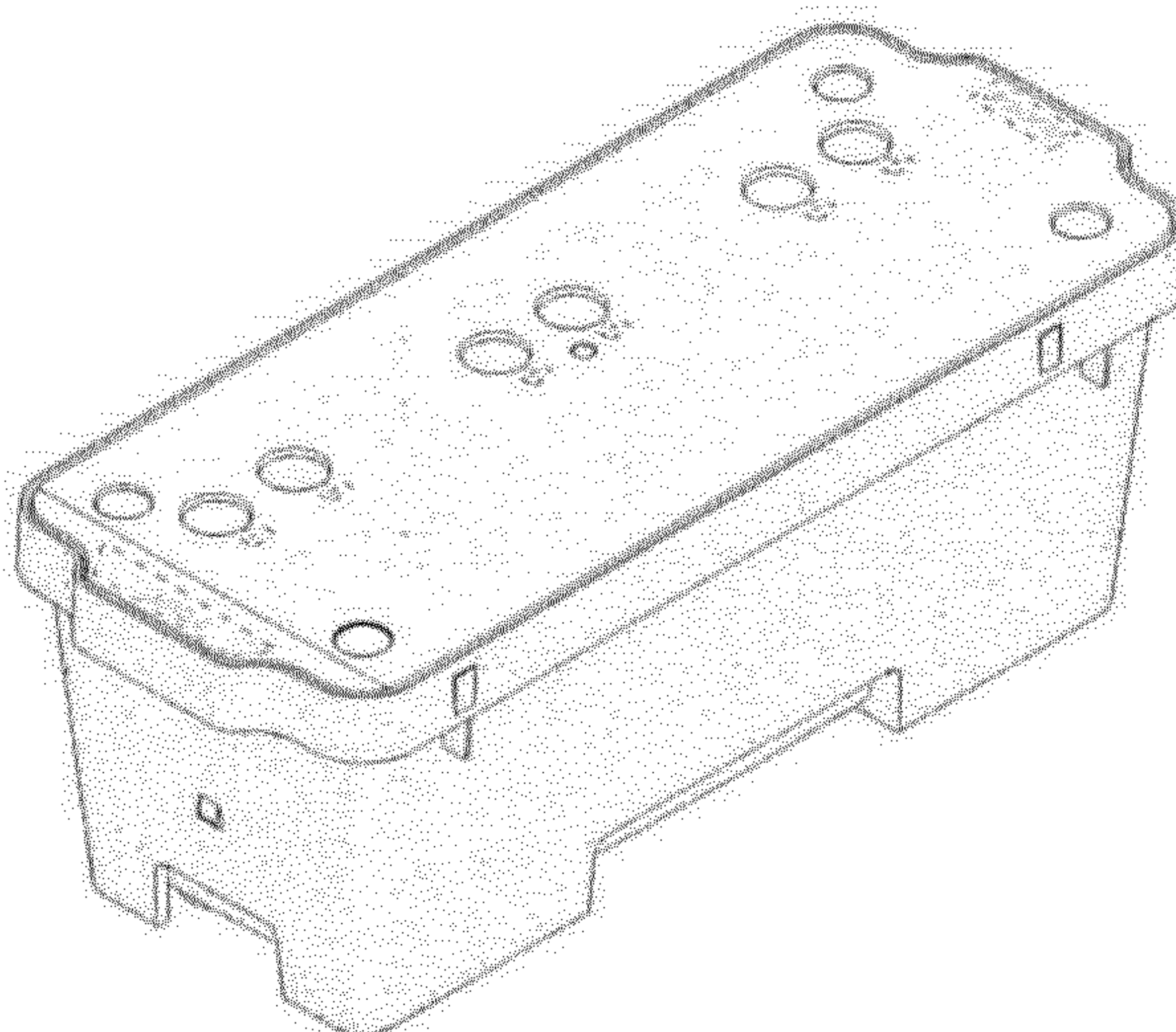
(56) **References Cited**

U.S. PATENT DOCUMENTS

4,798,292 A * 1/1989 Hauze A61L 2/26
 206/439
 D332,664 S * 1/1993 Sincock D24/130
 D339,869 S * 9/1993 Schea, III D24/224
 D438,632 S * 3/2001 Miller D24/216
 D451,278 S * 12/2001 Cooper D3/294
 D510,802 S * 10/2005 Sagol D3/273
 7,036,667 B2 * 5/2006 Greenstein B01L 9/527
 206/205

(Continued)

1 Claim, 9 Drawing Sheets



US D865,213 S

Page 2

(56)

References Cited

U.S. PATENT DOCUMENTS

D565,742 S *	4/2008	Parunak	D24/224
D566,291 S *	4/2008	Parunak	D24/224
D578,758 S *	10/2008	Stevens	D3/272
D604,604 S *	11/2009	Strange	D9/424
D624,194 S *	9/2010	Pack	D24/224
D632,803 S *	2/2011	Motadel	D24/229
D657,473 S *	4/2012	Miyashita	D24/224
D674,112 S *	1/2013	Demas	D24/226
D691,733 S *	10/2013	Demas	D24/226
D699,370 S *	2/2014	Motadel	D24/229
D717,470 S *	11/2014	Demas	D24/226
D724,236 S *	3/2015	Motadel	D24/227
D732,186 S *	6/2015	Burroughs	D24/226
9,198,811 B2 *	12/2015	Pizzato	A61F 17/00
9,610,126 B2 *	4/2017	Griffin	A61B 50/30
D825,774 S *	8/2018	Self	D24/224
D827,149 S *	8/2018	Self	D24/224
10,071,381 B2 *	9/2018	Welch	A61B 5/15

OTHER PUBLICATIONS

- U.S. Appl. No. 29/589,641, filed Jan. 3, 2017, Dangelo, et al.
- U.S. Appl. No. 29/589,642, filed Jan. 3, 2017, Dangelo, et al.
- U.S. Appl. No. 29/589,643, filed Jan. 3, 2017, Dangelo, et al.

* cited by examiner

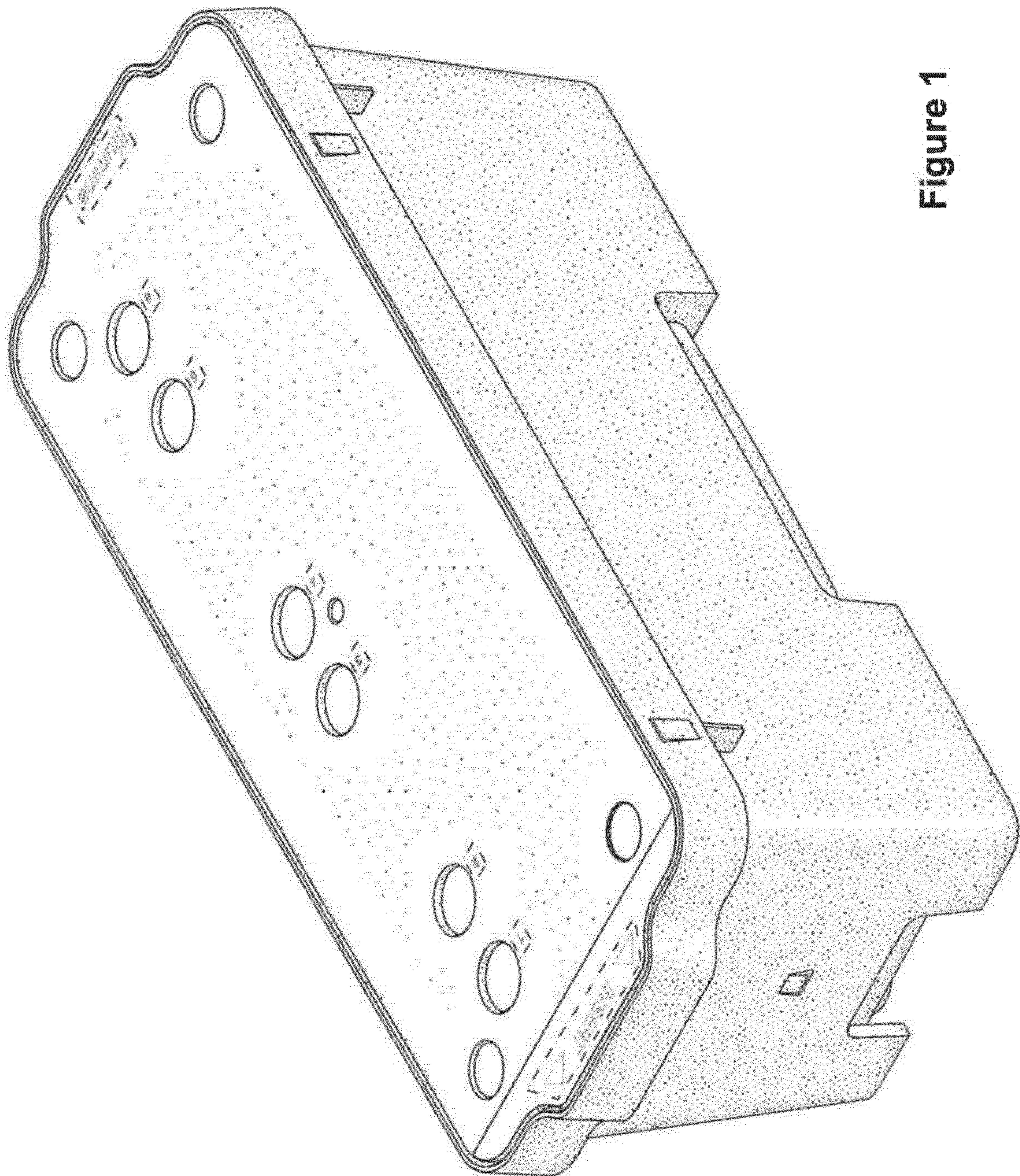


Figure 1

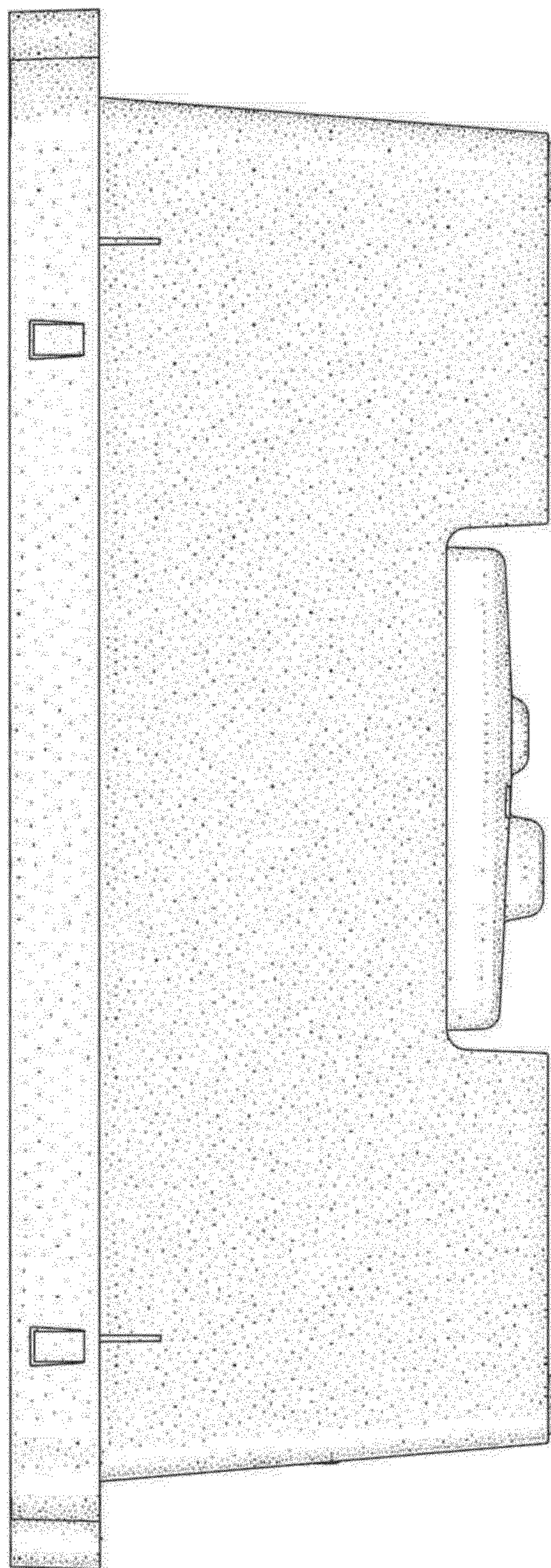


Figure 2

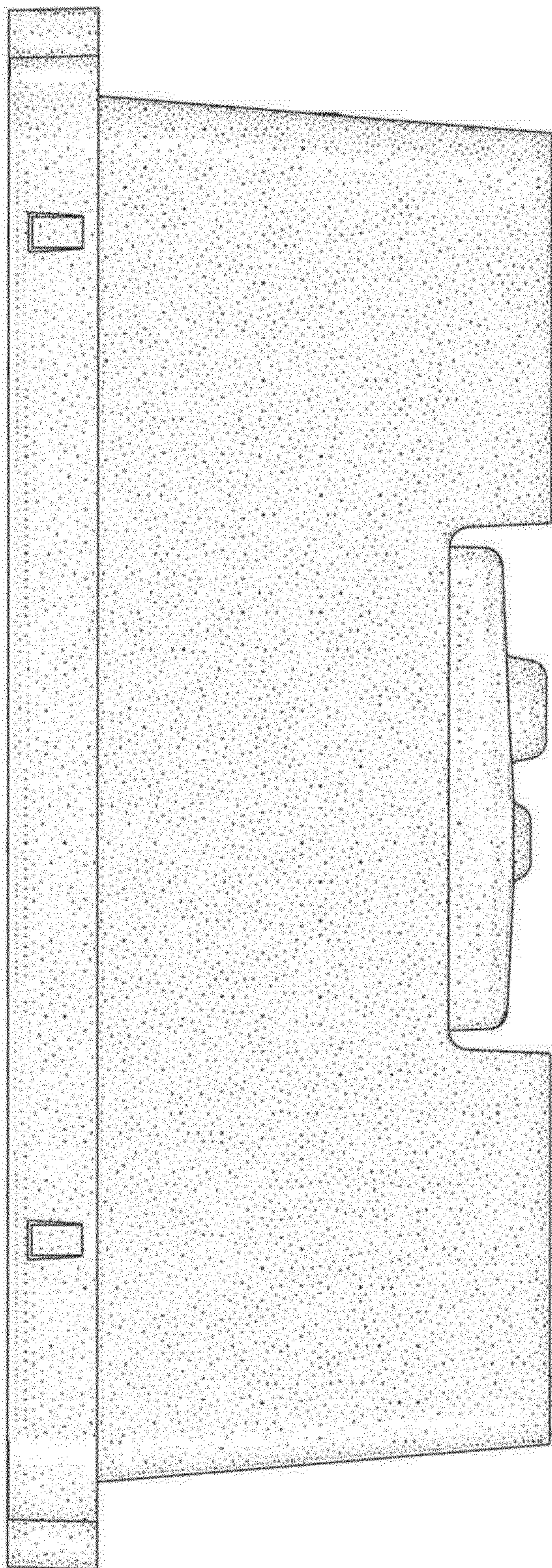


Figure 3

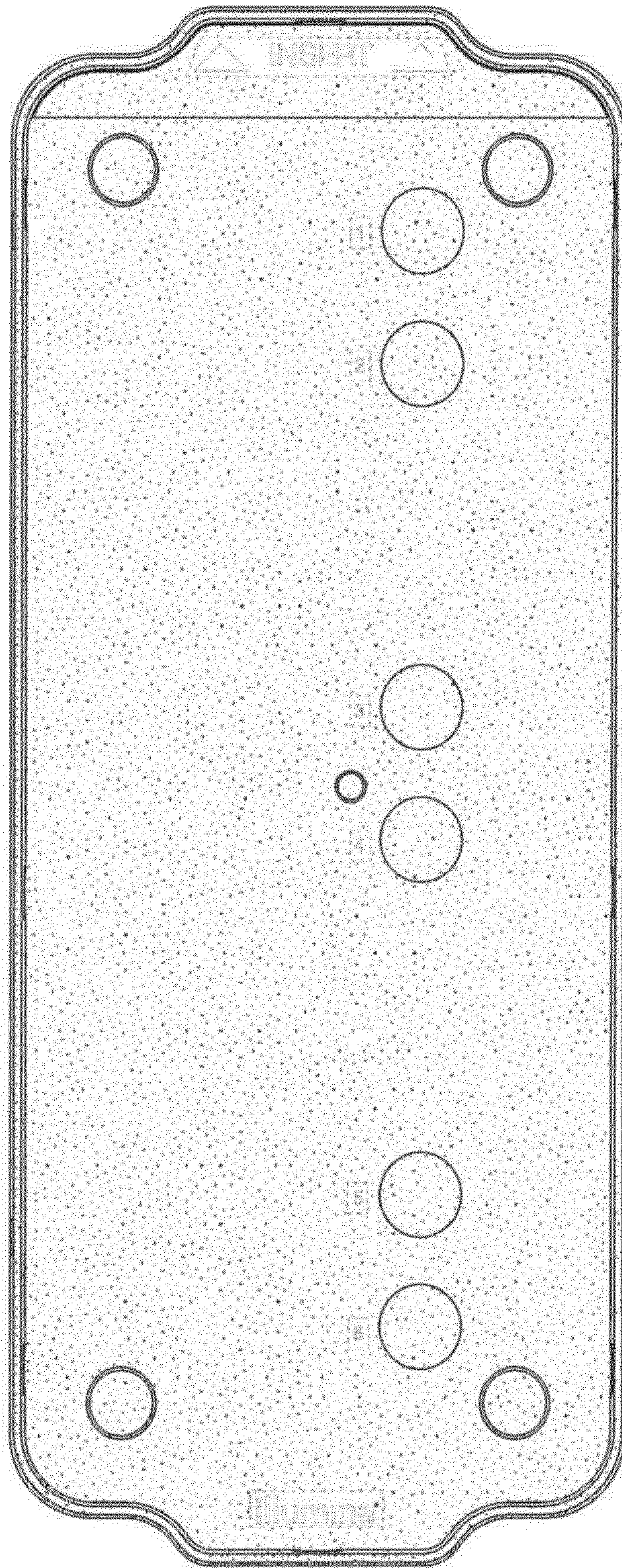


Figure 4

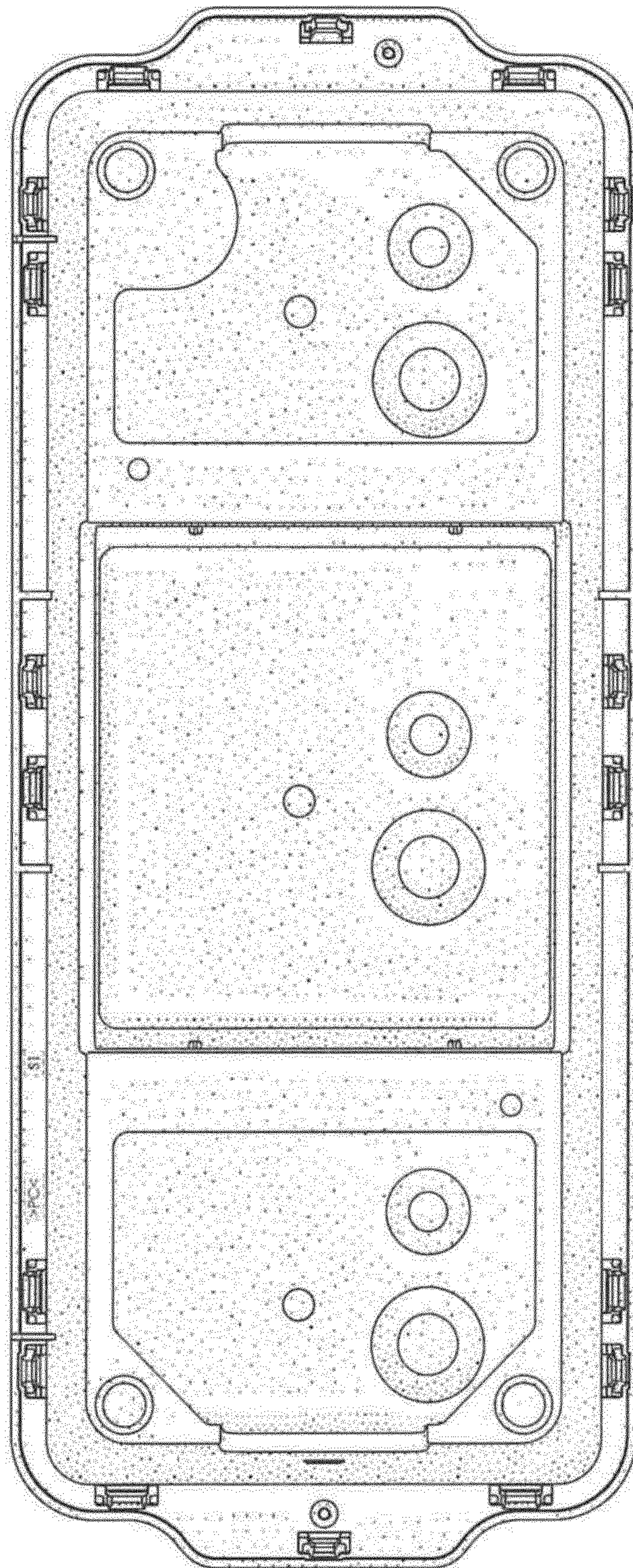


Figure 5

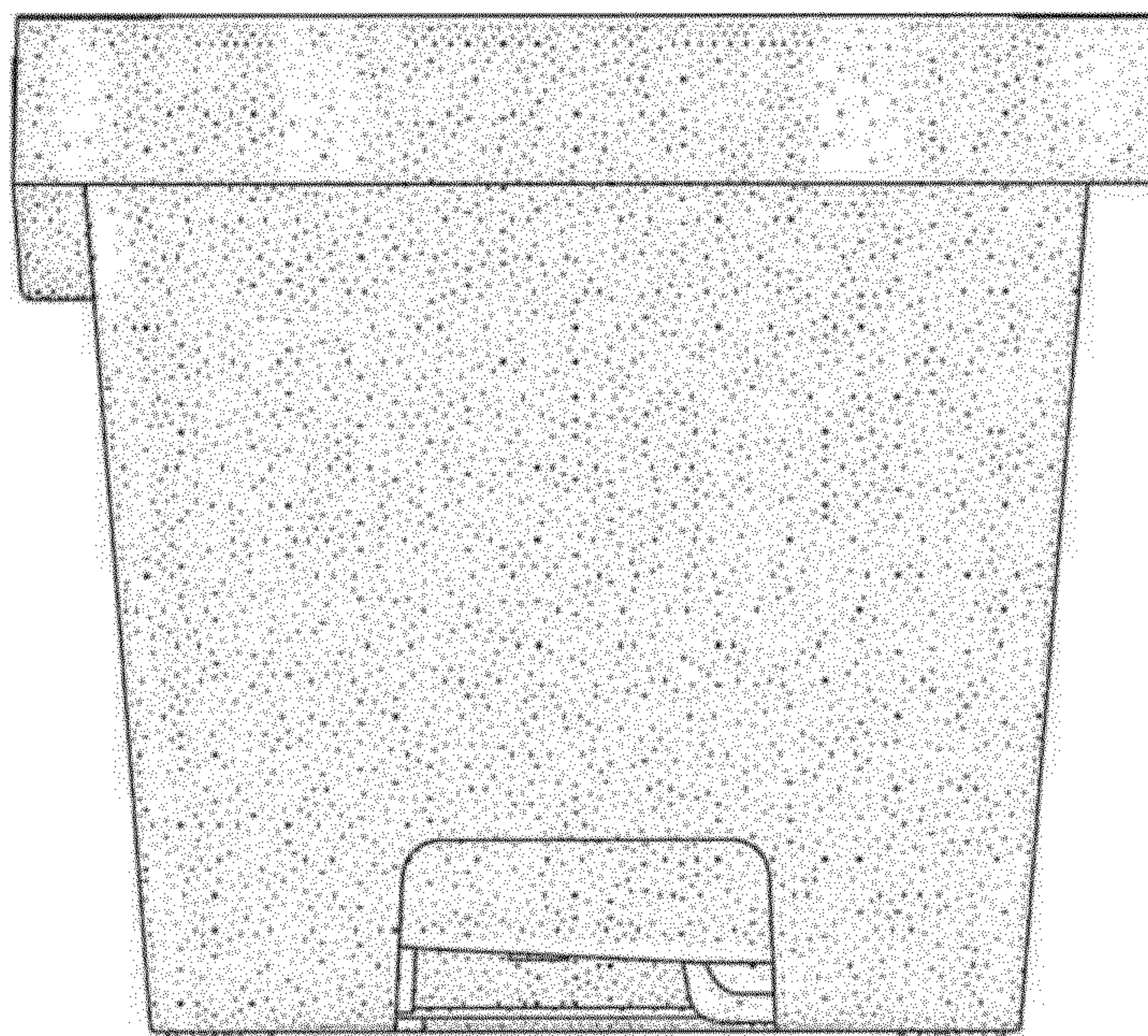


Figure 6

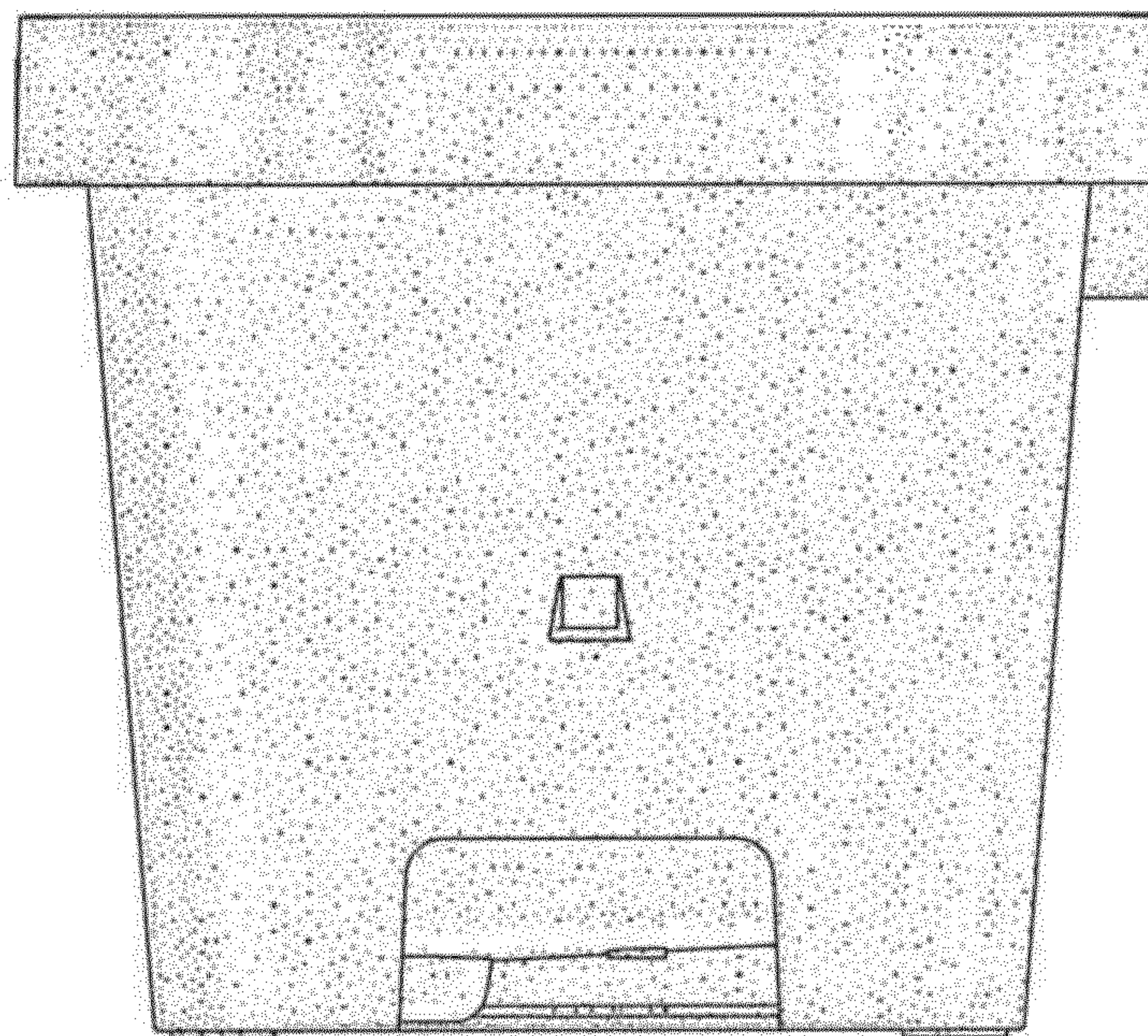


Figure 7

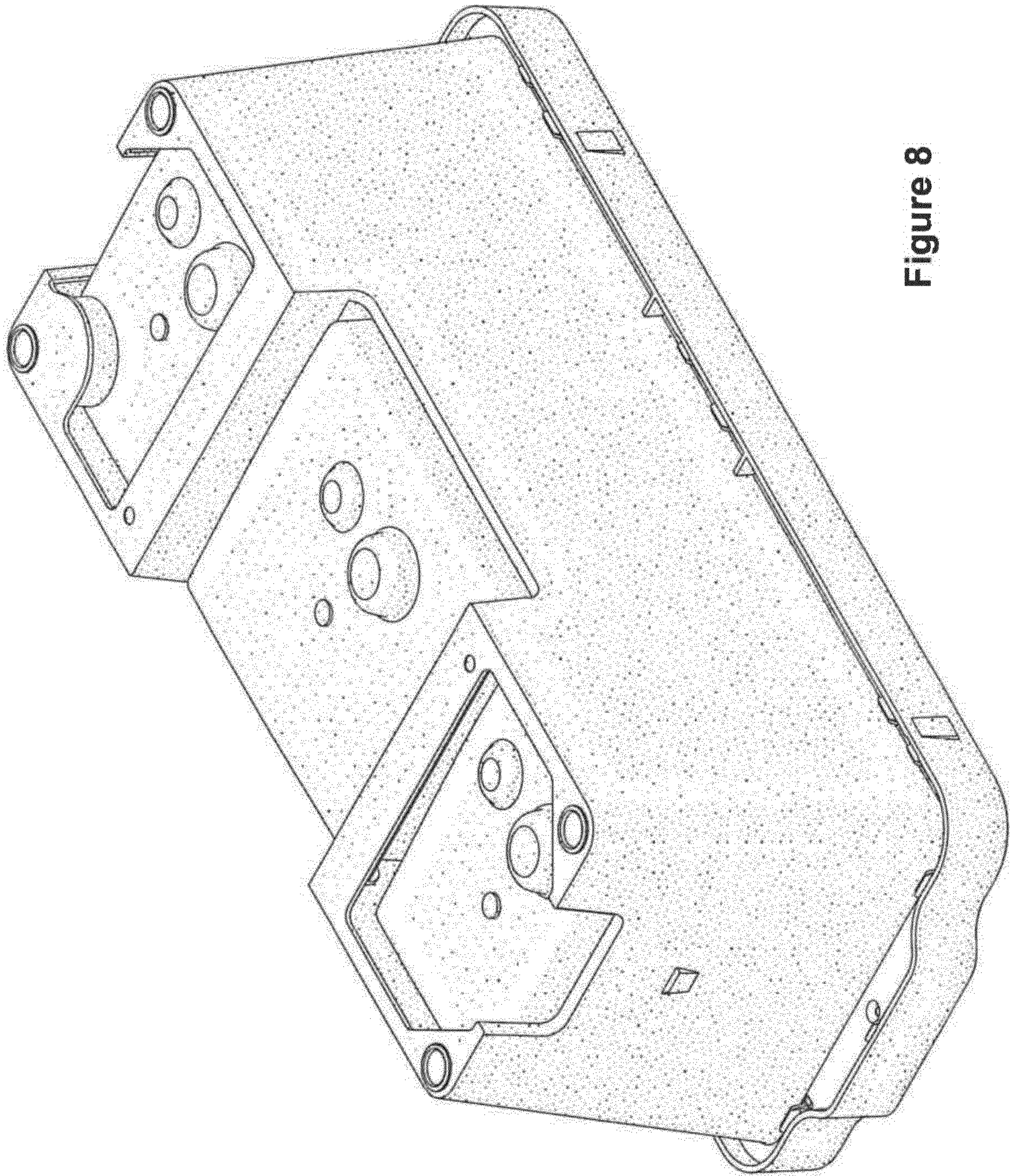


Figure 8

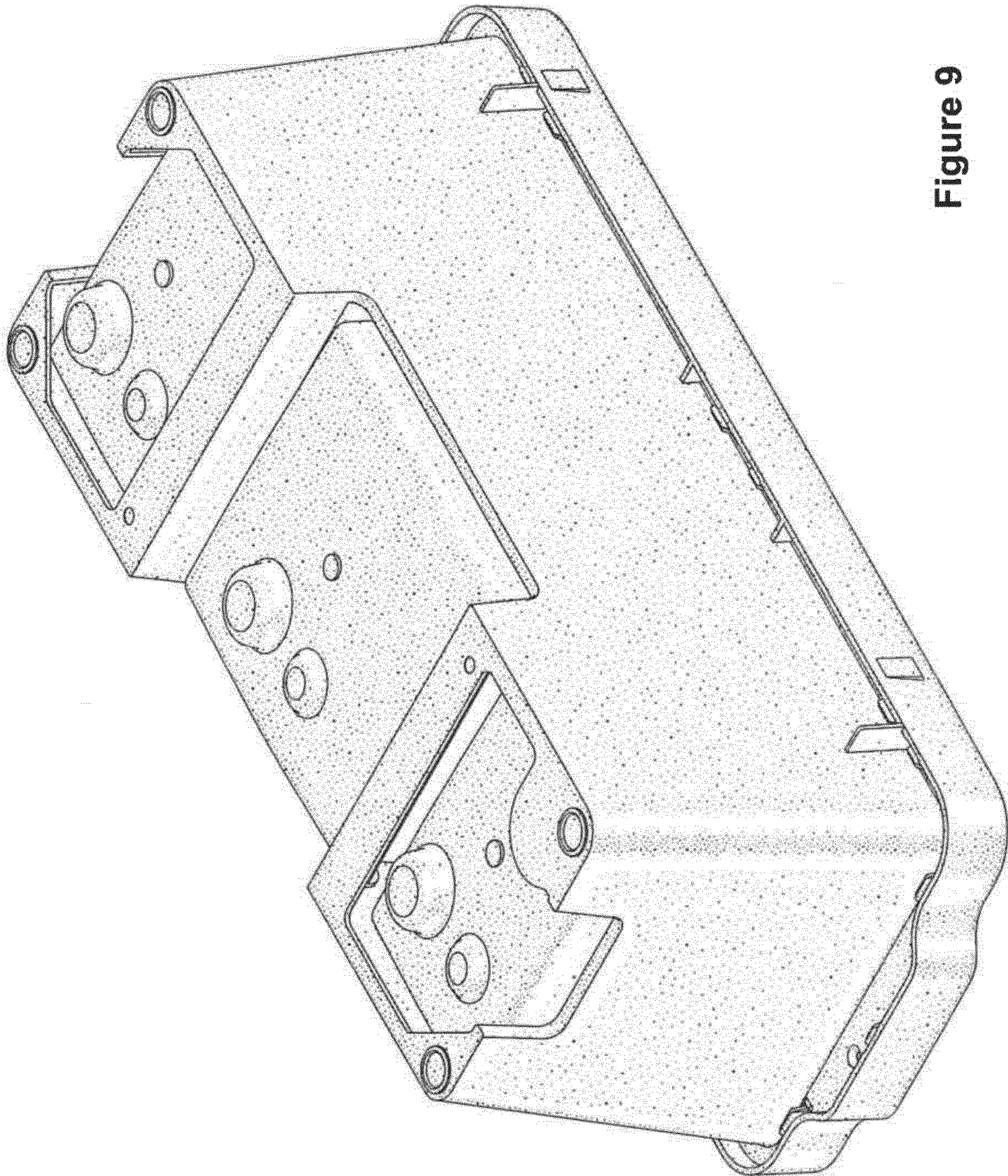


Figure 9