



US00D865212S

(12) **United States Design Patent**
Kakuda et al.

(10) **Patent No.:** **US D865,212 S**

(45) **Date of Patent:** **** Oct. 29, 2019**

(54) **SAMPLE STORAGE**

(71) Applicant: **KOBE BIO ROBOTIX CO., LTD,**
Katou-shi, Hyogo (JP)

(72) Inventors: **Shinichiro Kakuda,** Kobe (JP); **Yoko Nakahana,** Nishinomiya (JP)

(73) Assignee: **KOBE BIO ROBOTIX CO., LTD,**
Hyogo (JP)

(**) Term: **15 Years**

(21) Appl. No.: **29/574,381**

(22) Filed: **Aug. 15, 2016**

(51) **LOC (12) Cl.** **24-02**

(52) **U.S. Cl.**
USPC **D24/224**

(58) **Field of Classification Search**
USPC D24/112, 219, 224, 216; D9/516, 539,
D9/549, 550, 558, 500, 521
CPC ... A61J 1/2089; A61J 1/18; A61J 1/22; A61B
10/0096; A61B 5/150755
See application file for complete search history.

(56) **References Cited**

U.S. PATENT DOCUMENTS

D244,555 S * 5/1977 Wiedmann D24/224
D278,653 S * 4/1985 Savitz D24/219
D311,260 S * 10/1990 Hasert D28/85

(Continued)

FOREIGN PATENT DOCUMENTS

JP 1372511 11/2009
JP 1402837 11/2010
JP 1402836 12/2010

OTHER PUBLICATIONS

Prior art photo data collected by the Japanese Patent Office, https://j-platpat.inpit.go.jp/web/ishou/dpdj/DPDJ_GM301_Detailed.action, Nov. 16, 2016 (1 page).

Primary Examiner — Ian Simmons

Assistant Examiner — Keith Frank

(74) *Attorney, Agent, or Firm* — Hamre, Schumann,
Mueller & Larson, P.C.

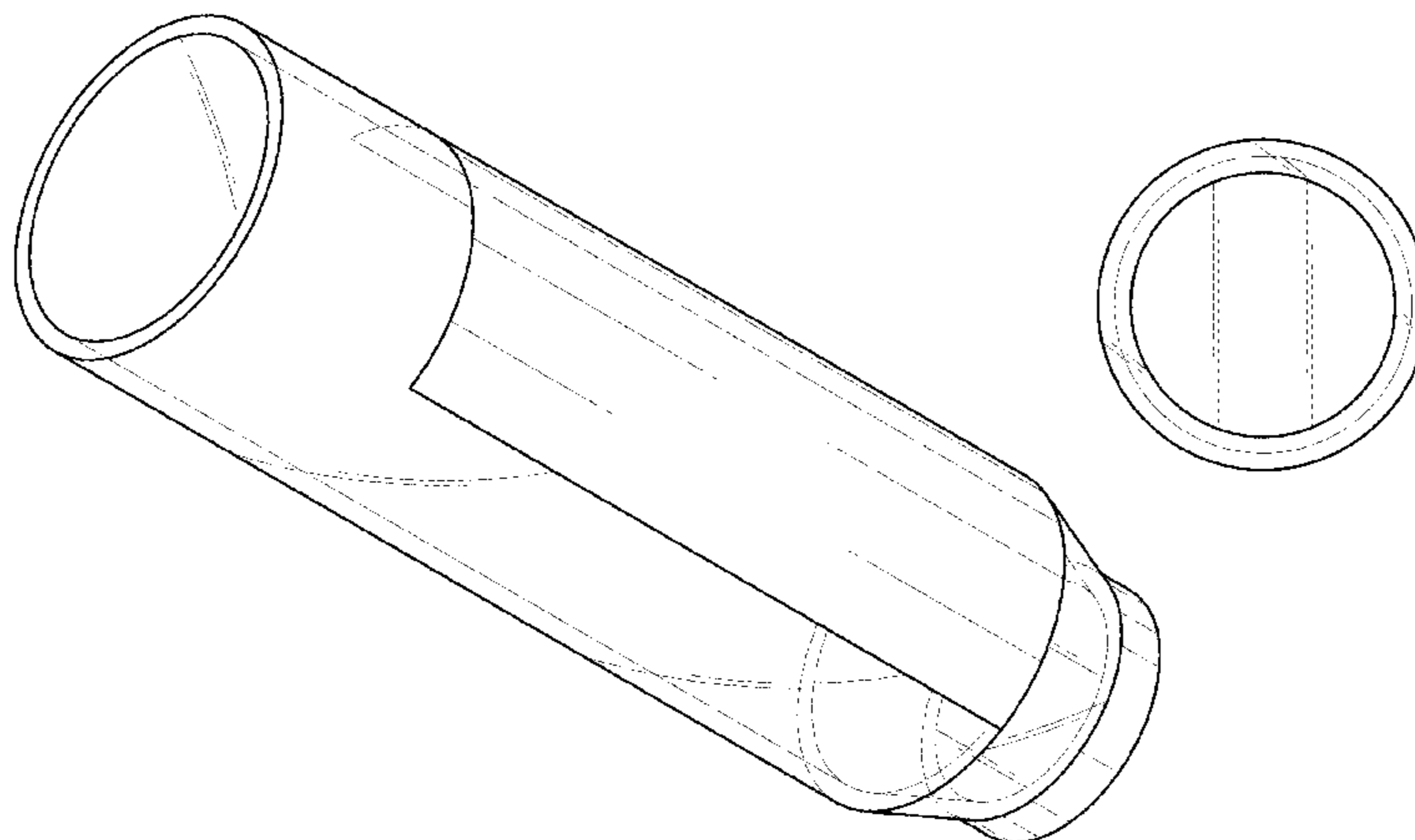
(57) **CLAIM**

The ornamental design for a sample storage, as shown and described.

DESCRIPTION

FIG. 1 is a perspective view of a sample storage showing our new design;
FIG. 2 is a front elevation view thereof;
FIG. 3 is a rear elevation view thereof;
FIG. 4 is a left side elevation view thereof;
FIG. 5 is a top plan view thereof;
FIG. 6 is a bottom plan view thereof;
FIG. 7 is a perspective view of a second embodiment of a sample storage showing our new design;
FIG. 8 is a front elevation view thereof;
FIG. 9 is a rear elevation view thereof;
FIG. 10 is a left side elevation view thereof;
FIG. 11 is a top plan view thereof;
FIG. 12 is a bottom plan view thereof;
FIG. 13 is a perspective view of a third embodiment of a sample storage showing our new design;
FIG. 14 is a front elevation view thereof;
FIG. 15 is a rear elevation view thereof;
FIG. 16 is a left side elevation view thereof;
FIG. 17 is a top plan view thereof;
FIG. 18 is a bottom plan view thereof;
FIG. 19 is a perspective view of a fourth embodiment of a sample storage showing our new design;
FIG. 20 is a front elevation view thereof;
FIG. 21 is a rear elevation view thereof;
FIG. 22 is a left side elevation view thereof;
FIG. 23 is a top plan view thereof; and,
FIG. 24 is a bottom plan view thereof.

1 Claim, 12 Drawing Sheets



(56)

References Cited

U.S. PATENT DOCUMENTS

5,422,273 A * 6/1995 Garrison A61B 10/0291
 422/547
 D425,625 S * 5/2000 Niermann D24/122
 D447,060 S * 8/2001 Leboeuf D9/549
 D453,838 S * 2/2002 Harrop D24/122
 D454,201 S * 3/2002 Harrop D24/122
 D555,801 S * 11/2007 Coulling D24/224
 D570,687 S * 6/2008 Kelders D9/500
 D632,802 S * 2/2011 Salinas D24/224
 D637,492 S * 5/2011 Baird D24/224
 D644,536 S * 9/2011 Witz D9/499
 D649,405 S * 11/2011 Lingo D24/224
 D650,088 S * 12/2011 Motadel D24/224
 D651,322 S * 12/2011 Svard D24/224
 D659,007 S * 5/2012 Pape D9/443
 D668,778 S * 10/2012 Motadel D24/224
 D687,304 S * 8/2013 Tanner D24/121
 D690,416 S * 9/2013 Cappello D24/112
 D716,965 S * 11/2014 Fruscella D24/224

D725,470 S * 3/2015 Wilcox D9/448
 D730,735 S * 6/2015 Sommer D9/500
 D740,741 S * 10/2015 Wheeler D12/400
 D743,269 S * 11/2015 Pape D9/550
 D749,419 S * 2/2016 Grossman D9/500
 D755,957 S * 5/2016 Larson D24/121
 D757,256 S * 5/2016 Sarver D24/119
 D762,418 S * 8/2016 Sorensen D7/511
 D790,726 S * 6/2017 Plante D24/121
 D800,072 S * 10/2017 Moore D13/156
 D801,545 S * 10/2017 Wiesli D24/224
 D801,814 S * 11/2017 Liu D9/502
 D804,652 S * 12/2017 Sarver D24/119
 D810,281 S * 2/2018 Holmqvist D24/112
 D814,103 S * 3/2018 Levinson D27/101
 D817,173 S * 5/2018 Suga D9/500
 D818,118 S * 5/2018 Kelly D24/112
 D827,152 S * 8/2018 Ou D24/224
 2005/0229724 A1 * 10/2005 O'Brien G01N 1/16
 73/864.91
 2015/0289856 A1 * 10/2015 Saqi B01L 3/502
 422/534

* cited by examiner

Fig. 1

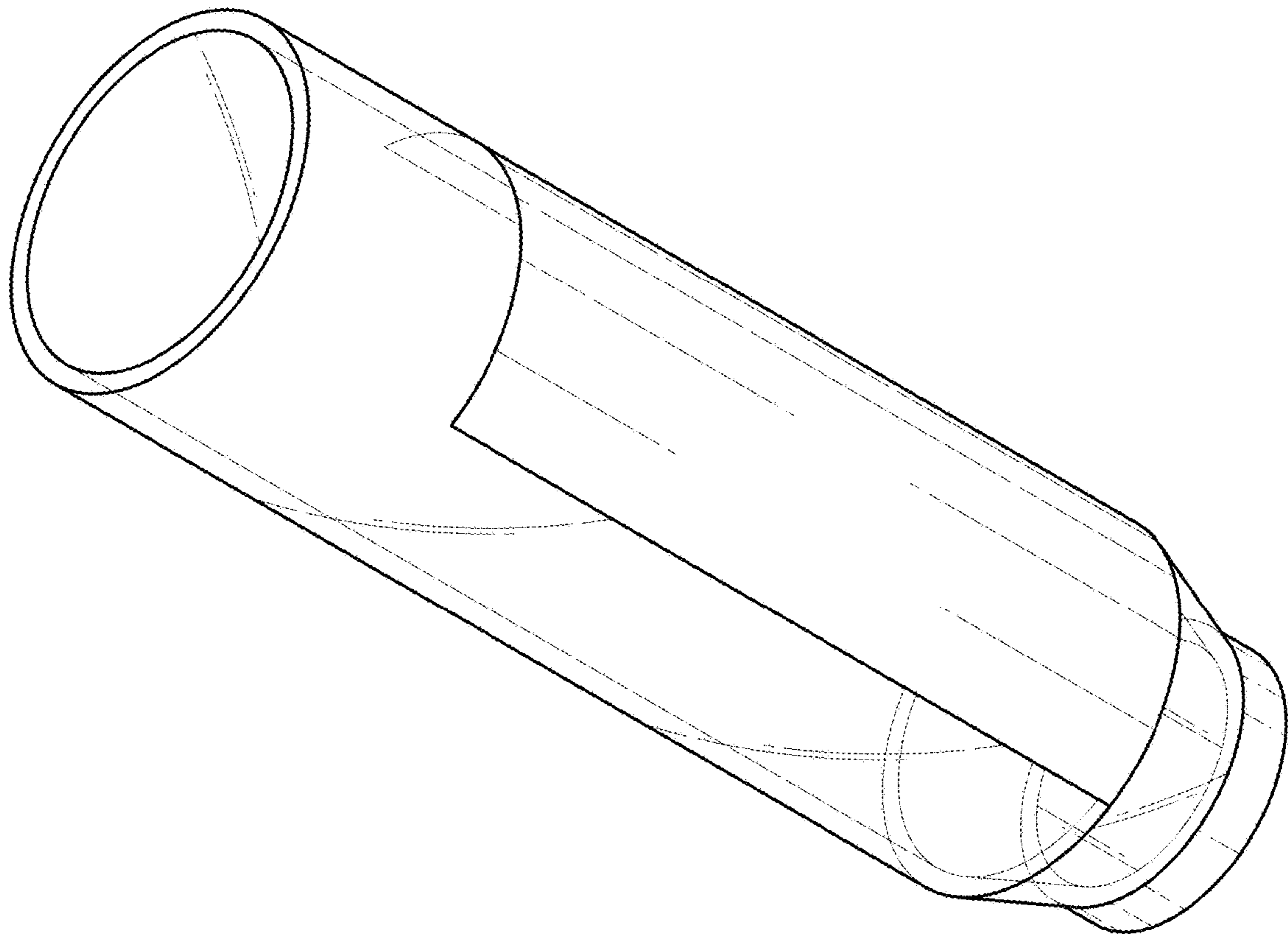


Fig. 2

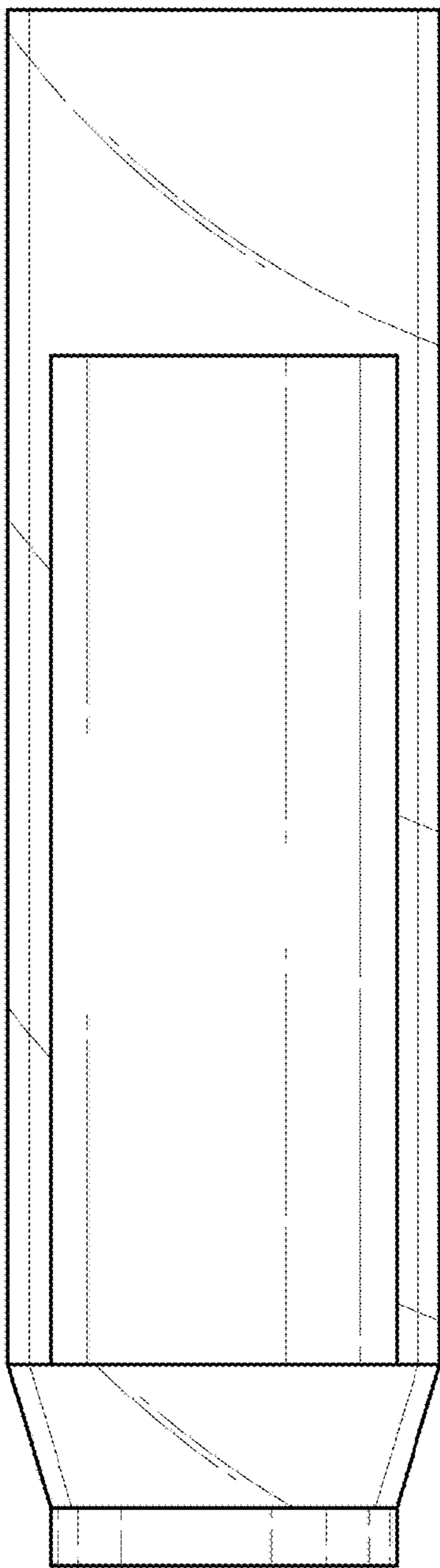


Fig. 3

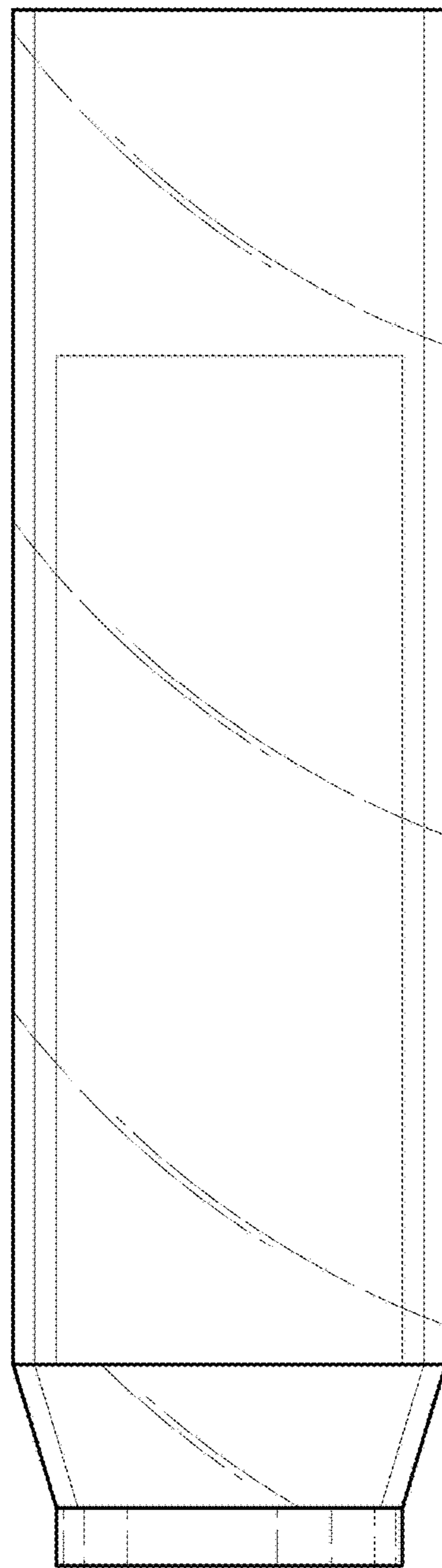


Fig. 4

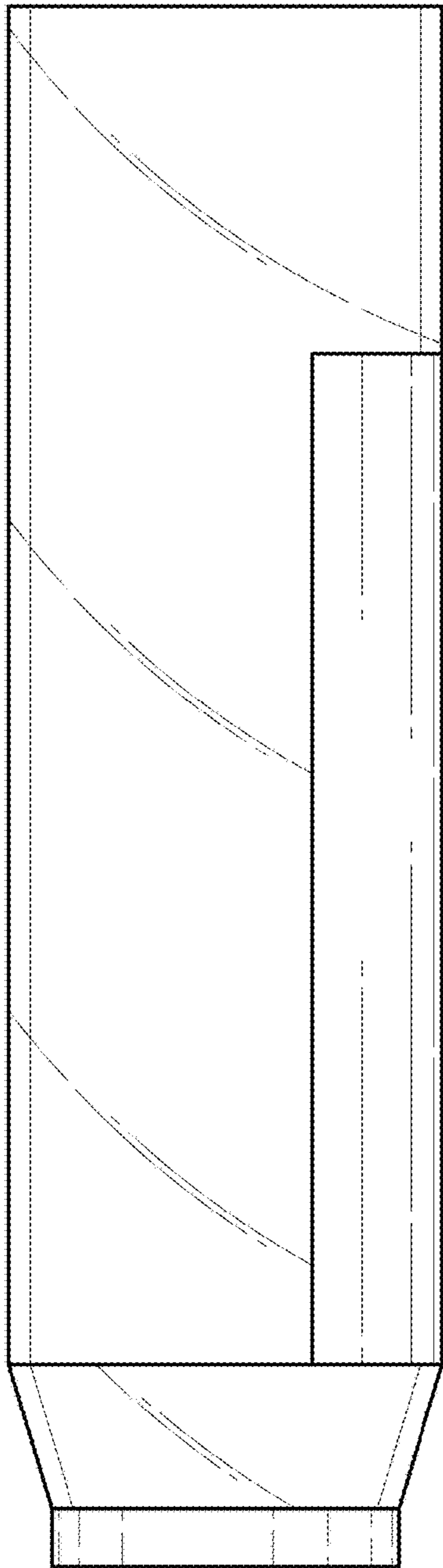


Fig. 5

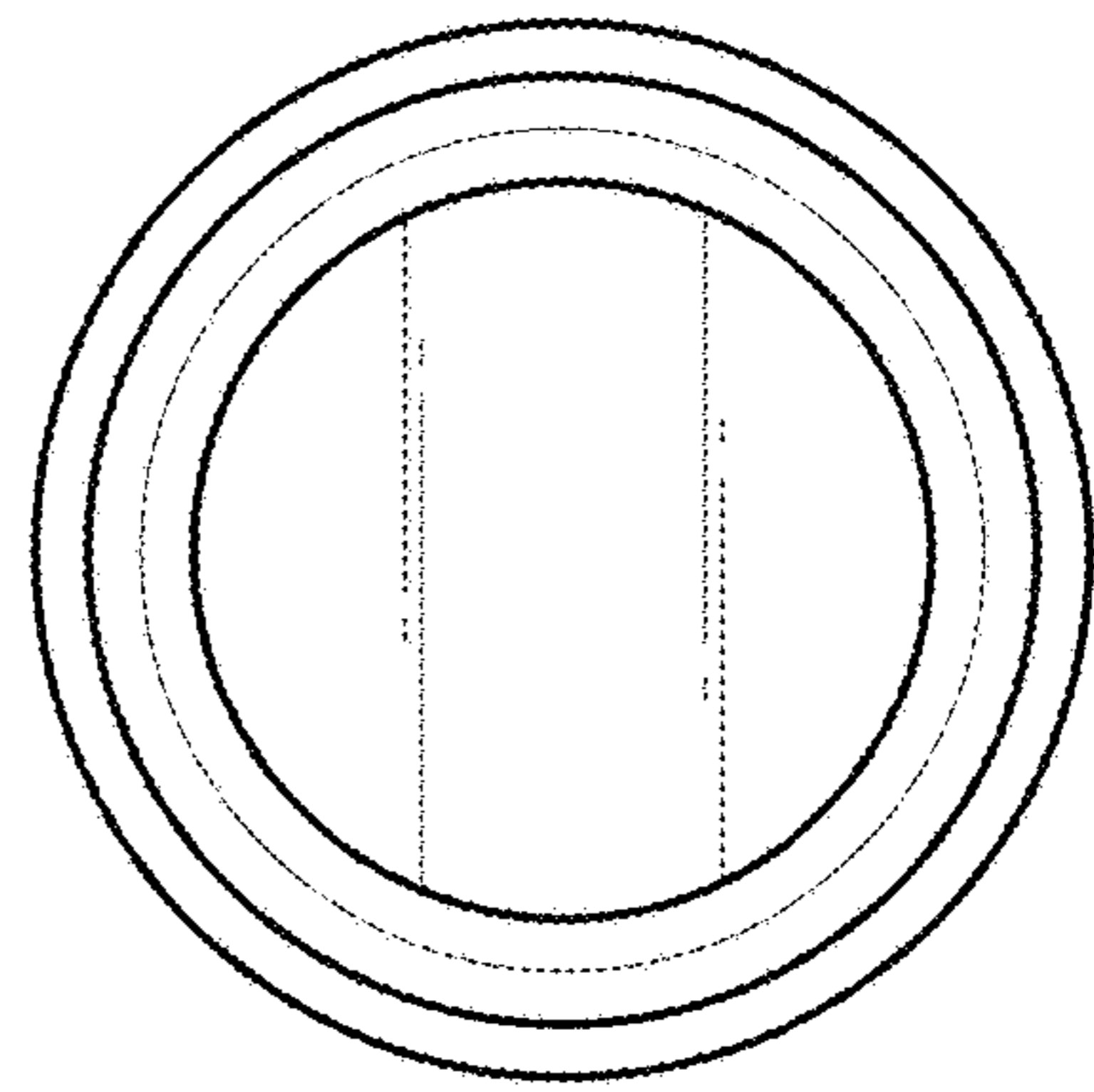


Fig. 6

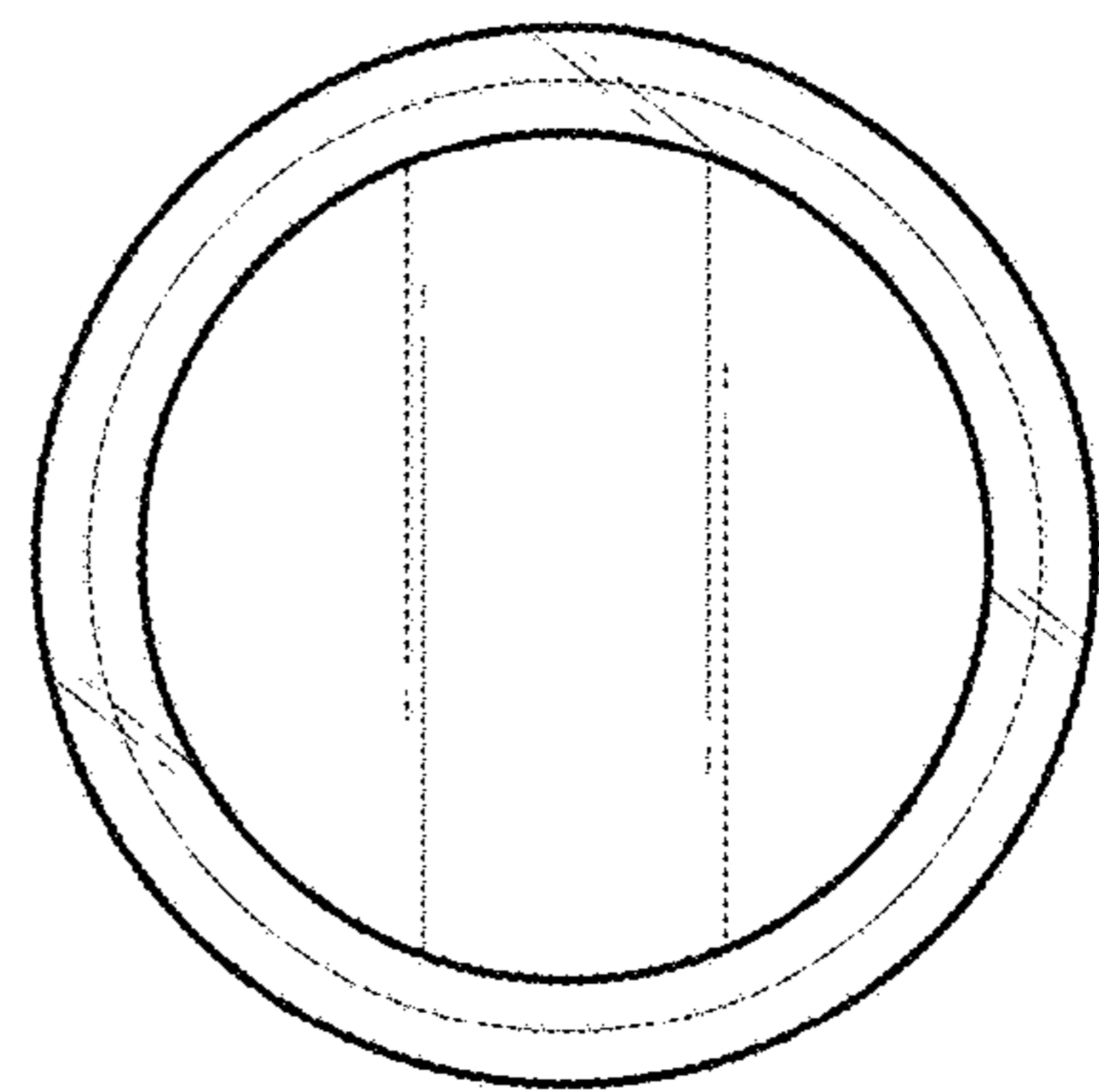


Fig. 7

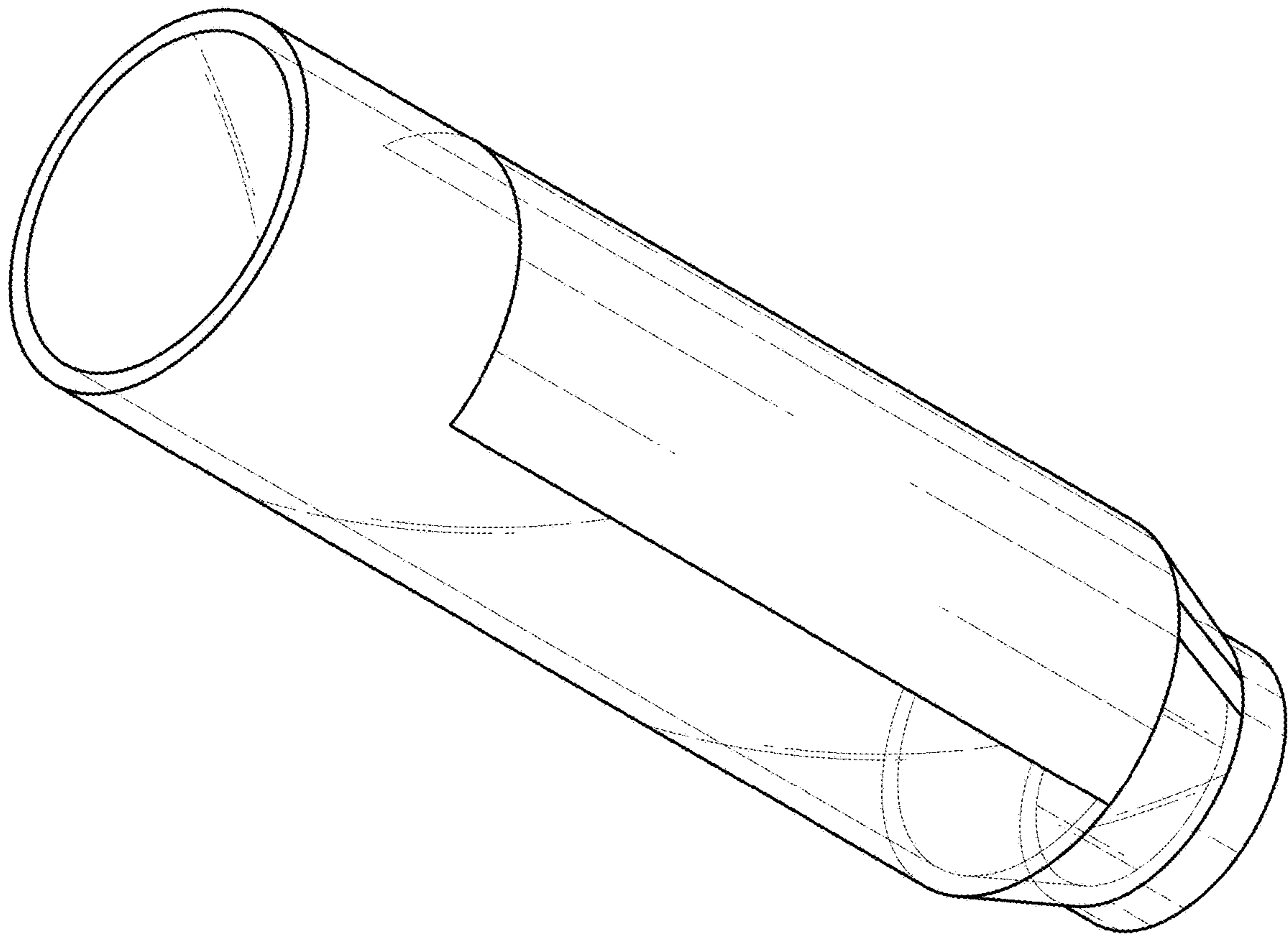


Fig. 8

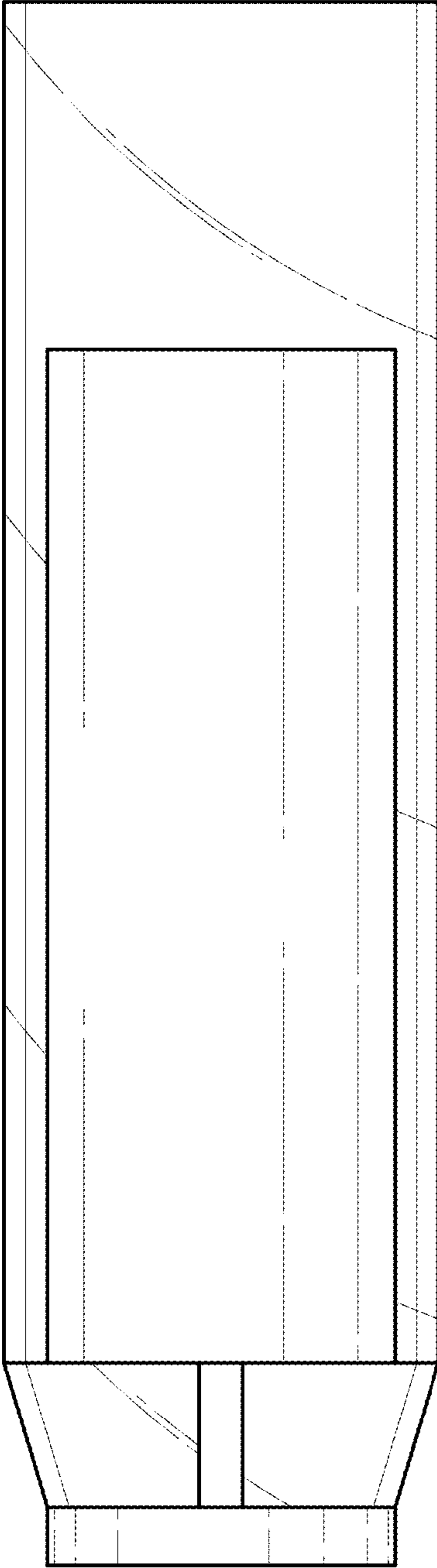


Fig. 9

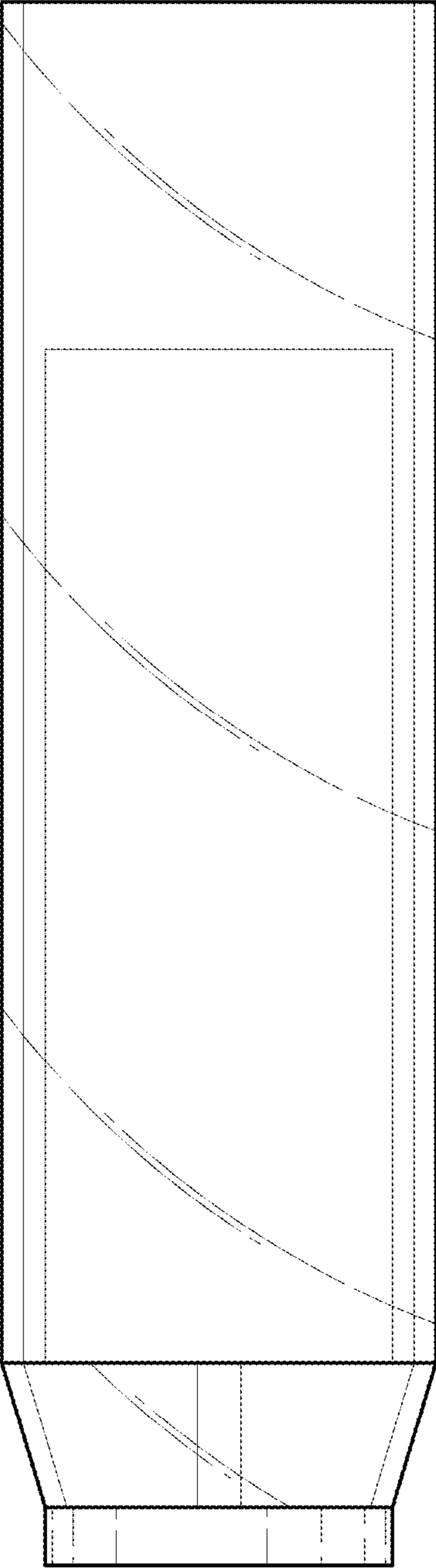


Fig. 10

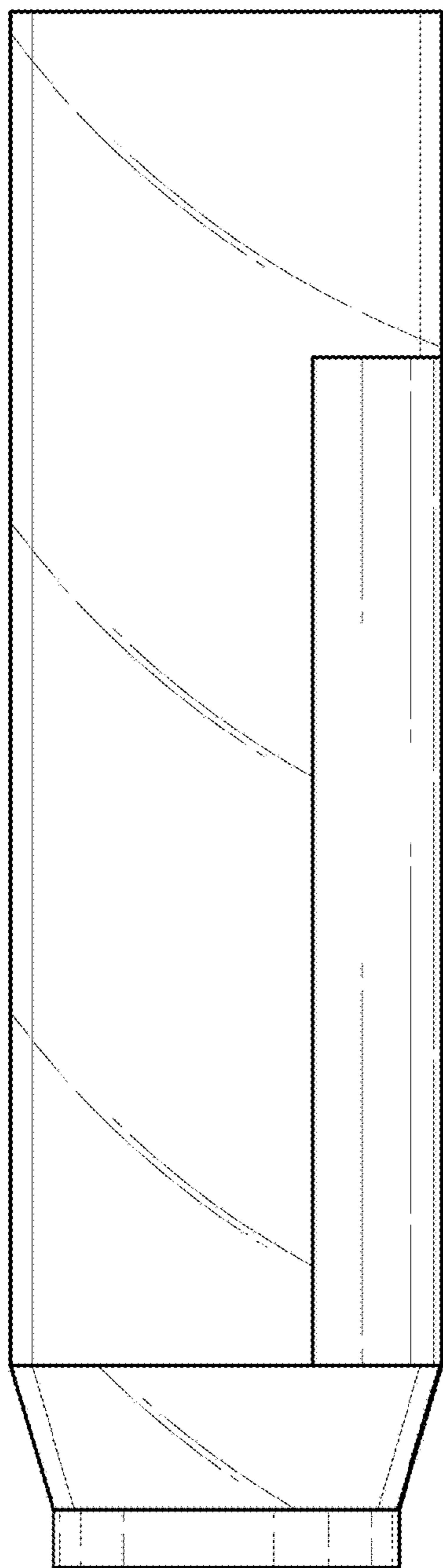


Fig. 11

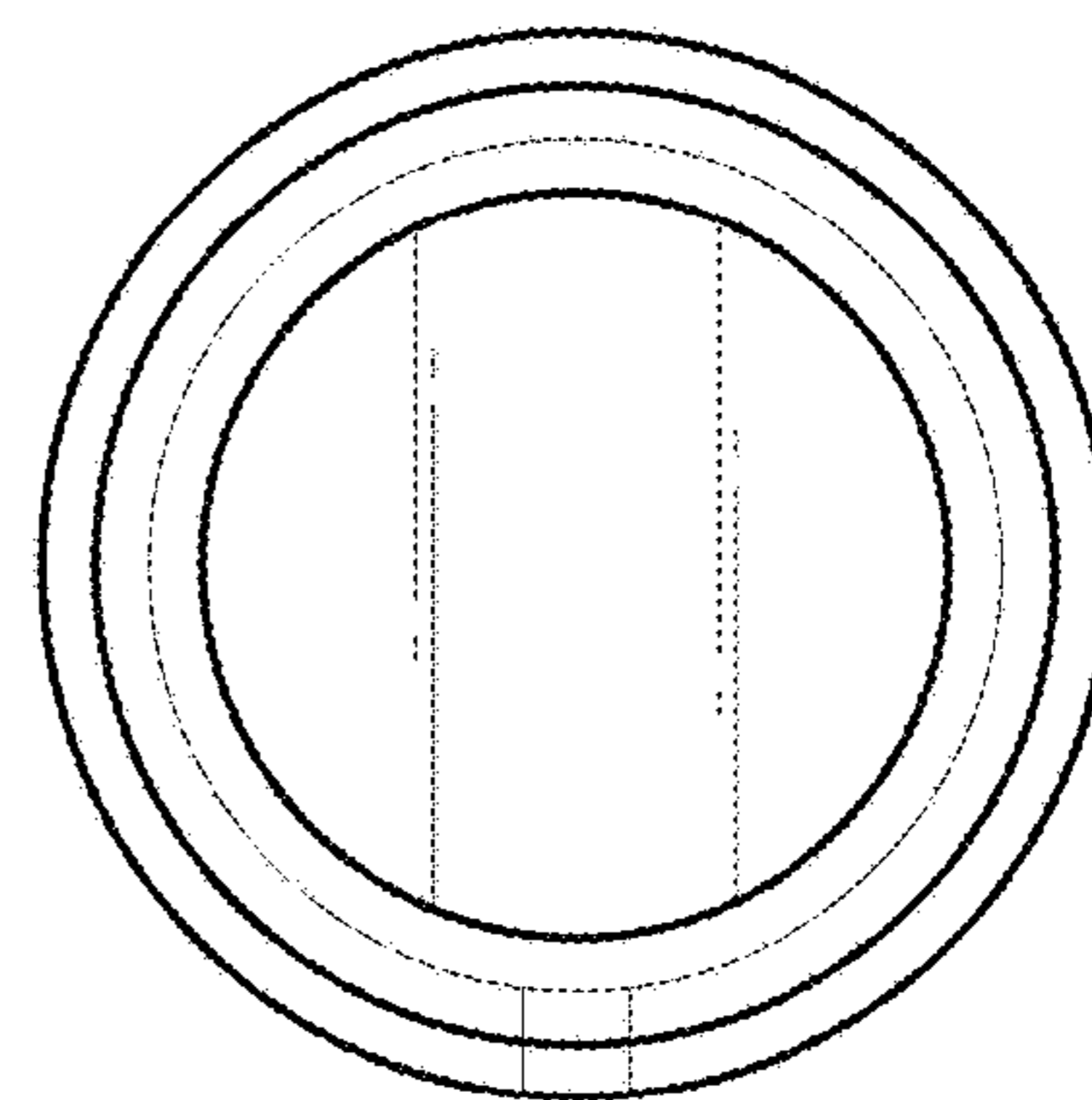


Fig. 12

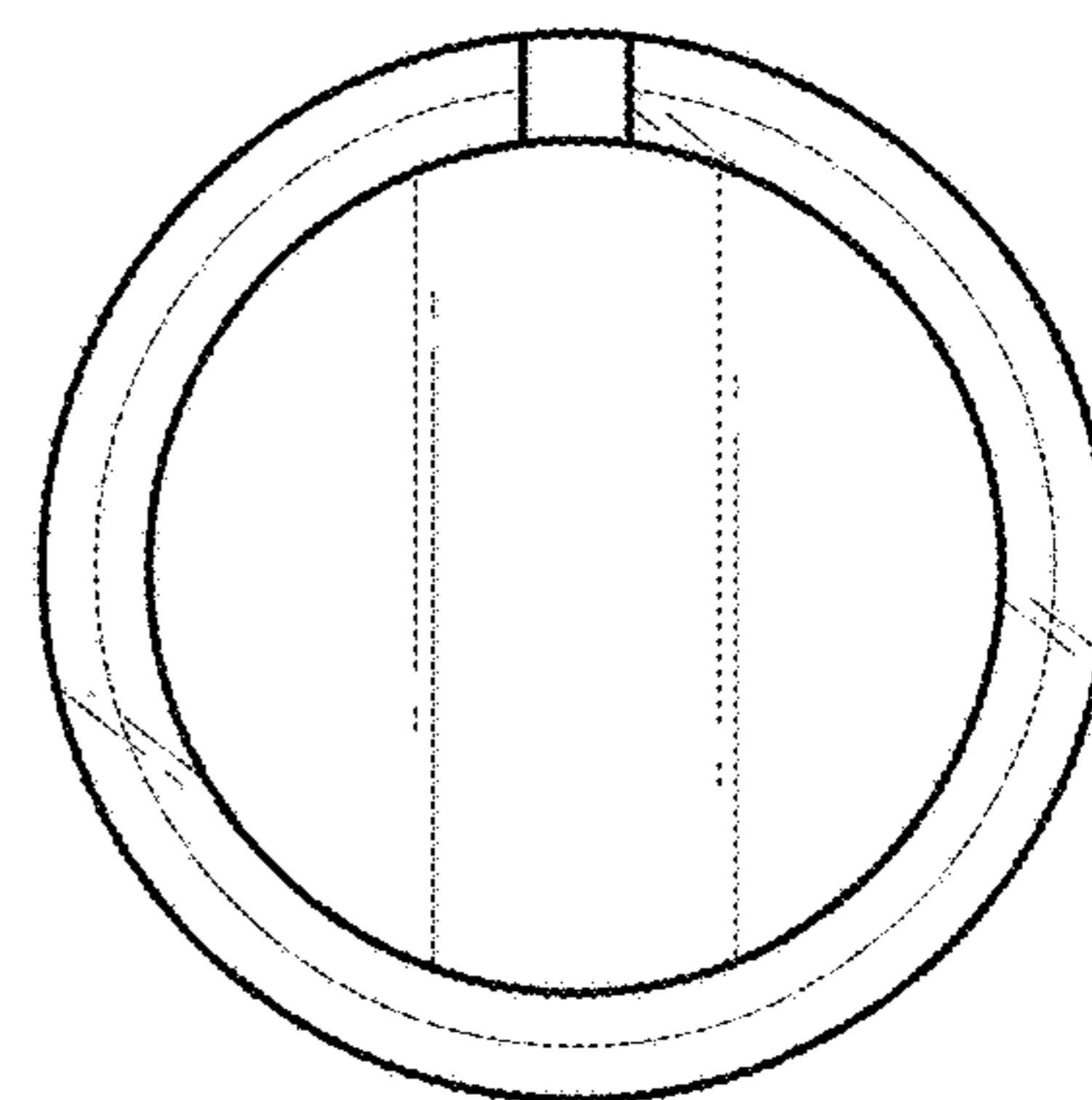


Fig. 13

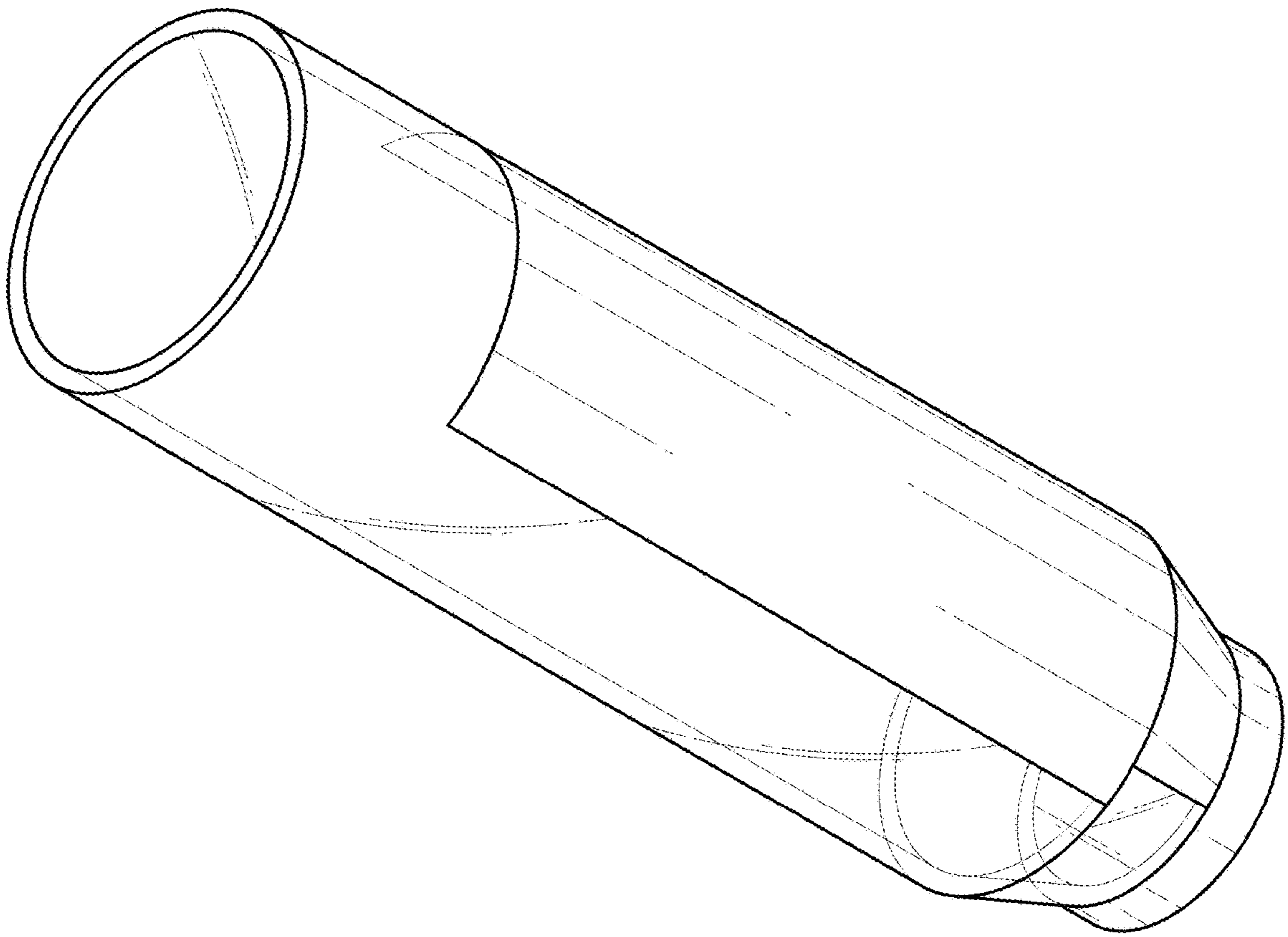


Fig. 14

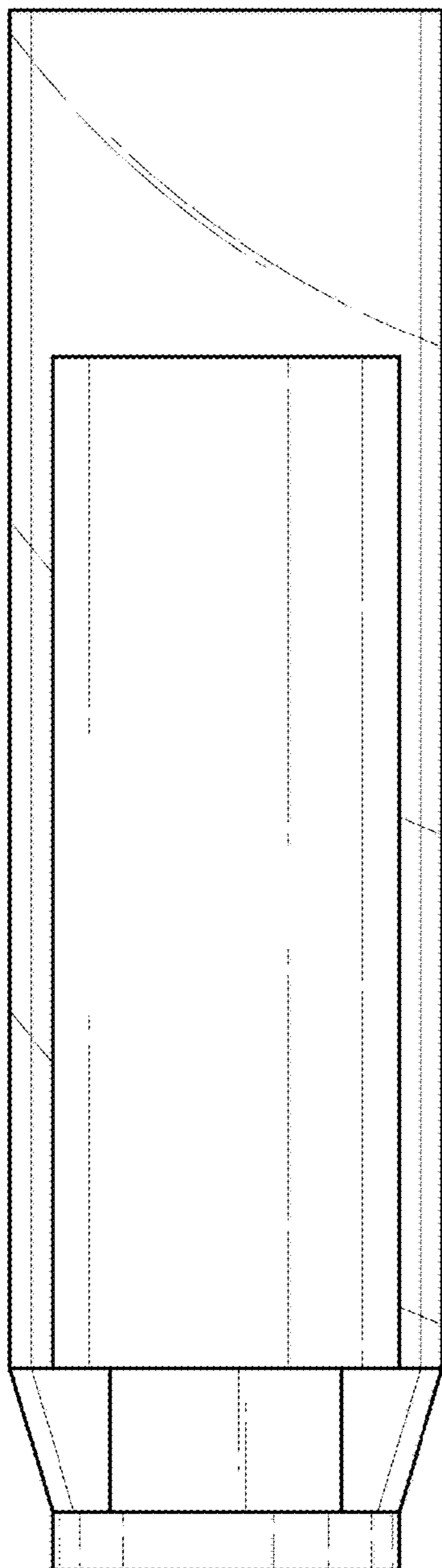


Fig. 15

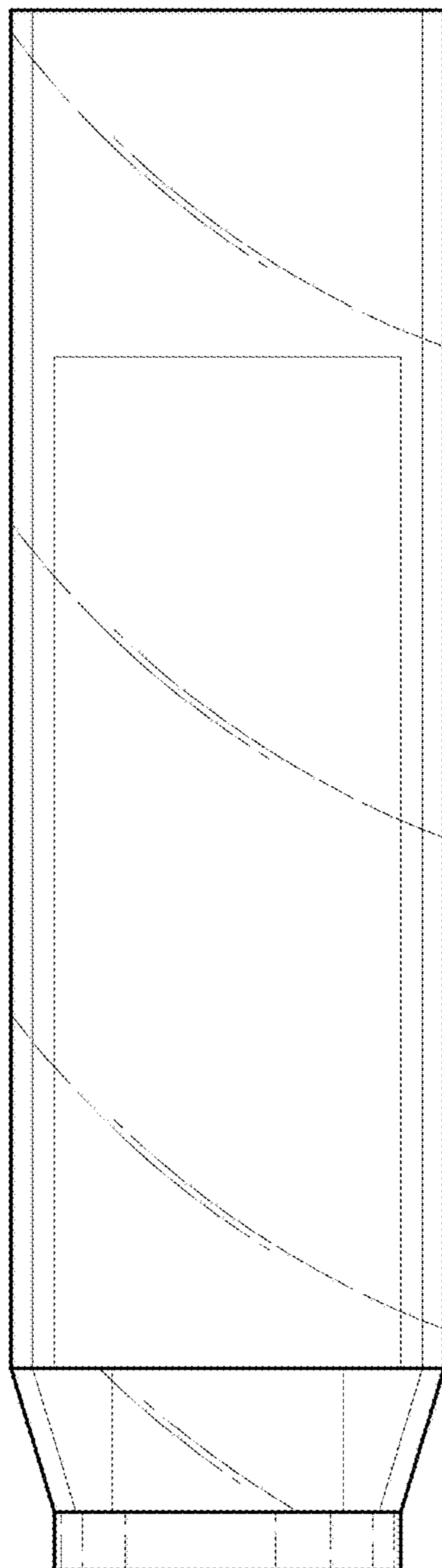


Fig. 16

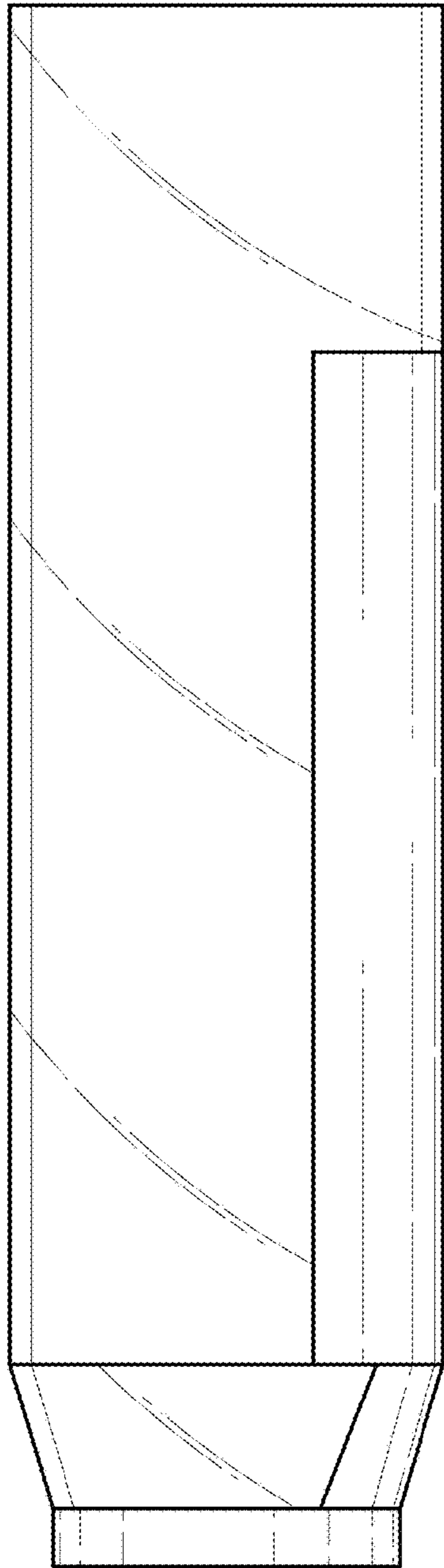


Fig. 17

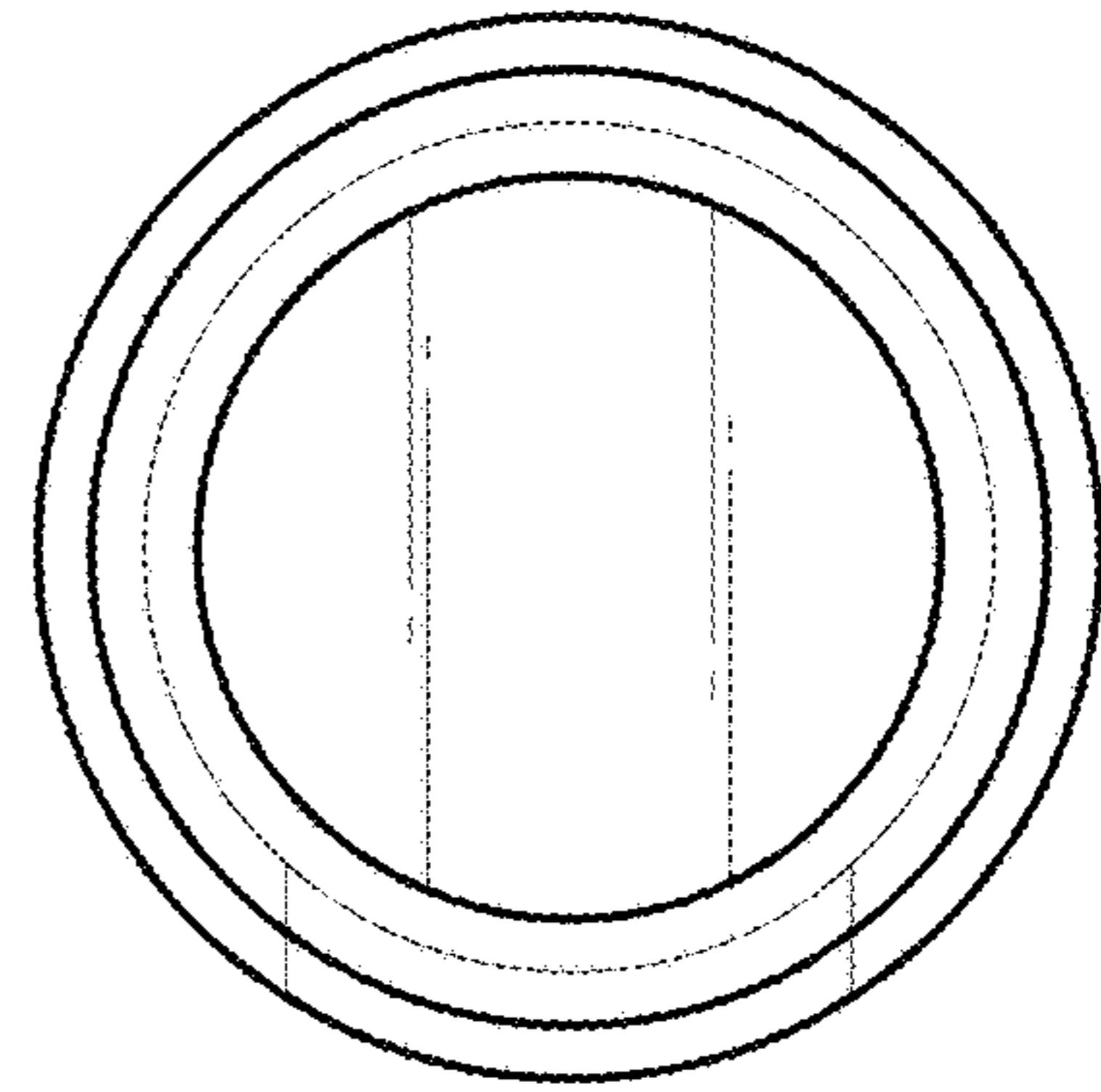


Fig. 18

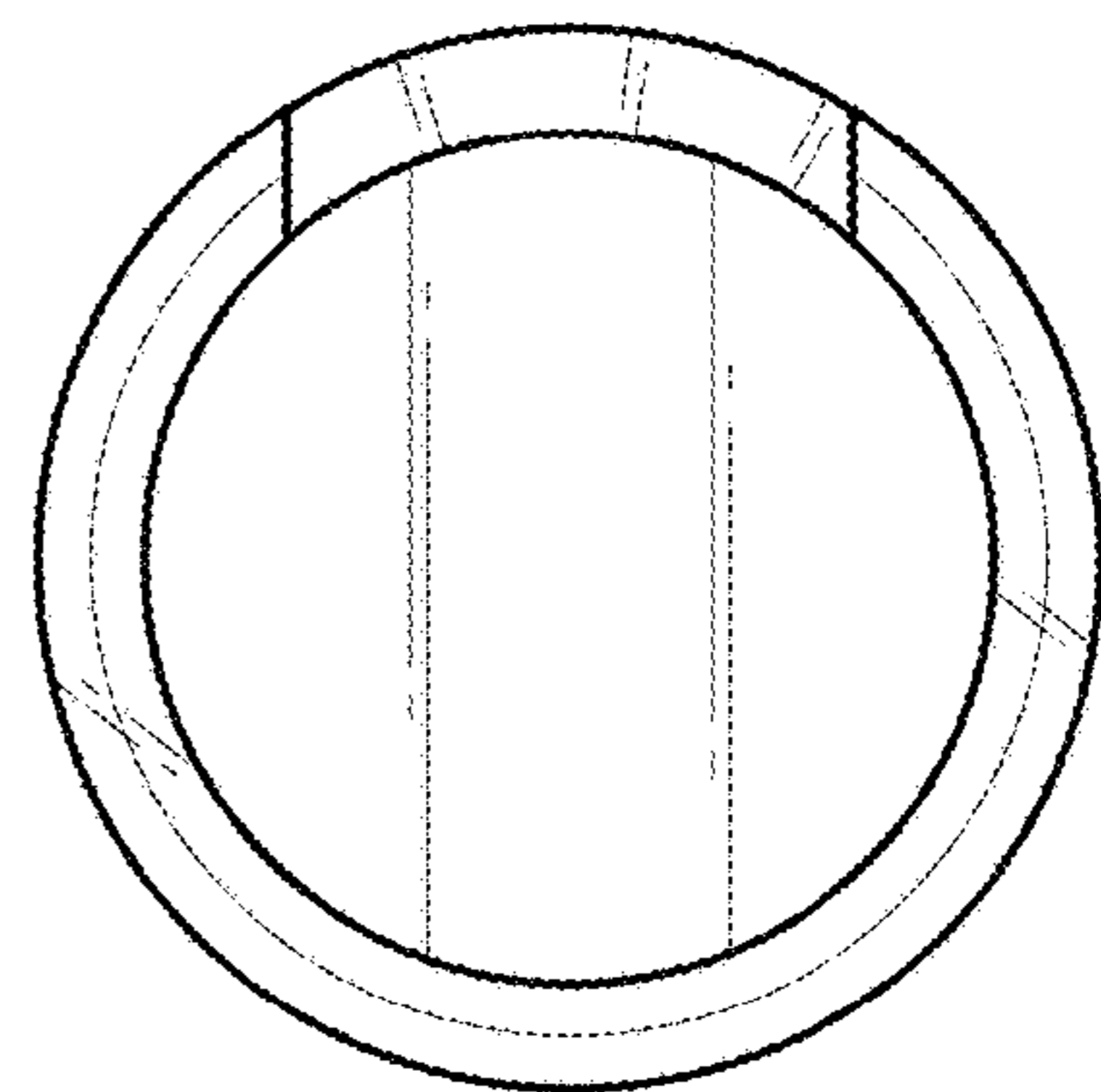


Fig. 19

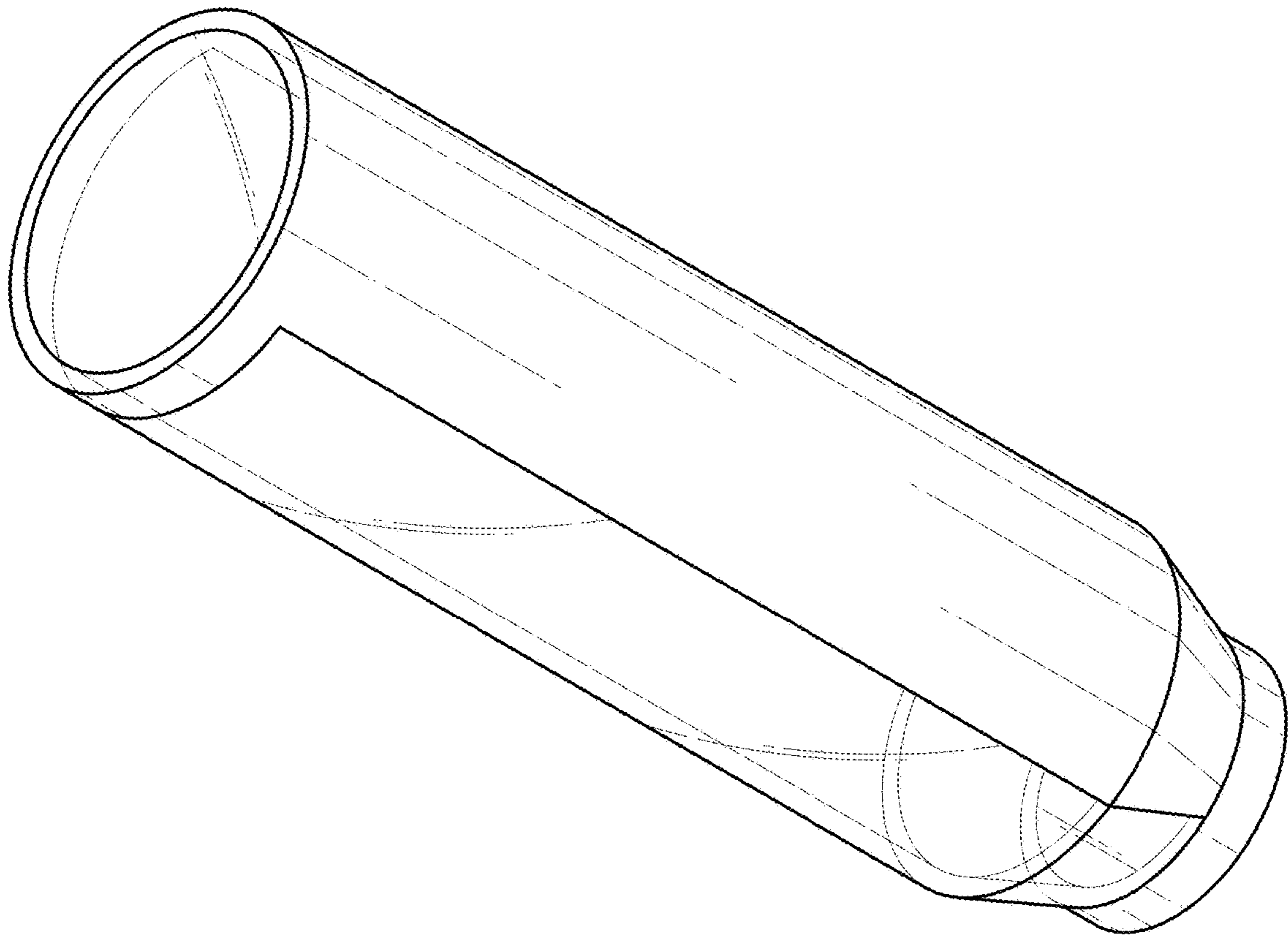


Fig. 20

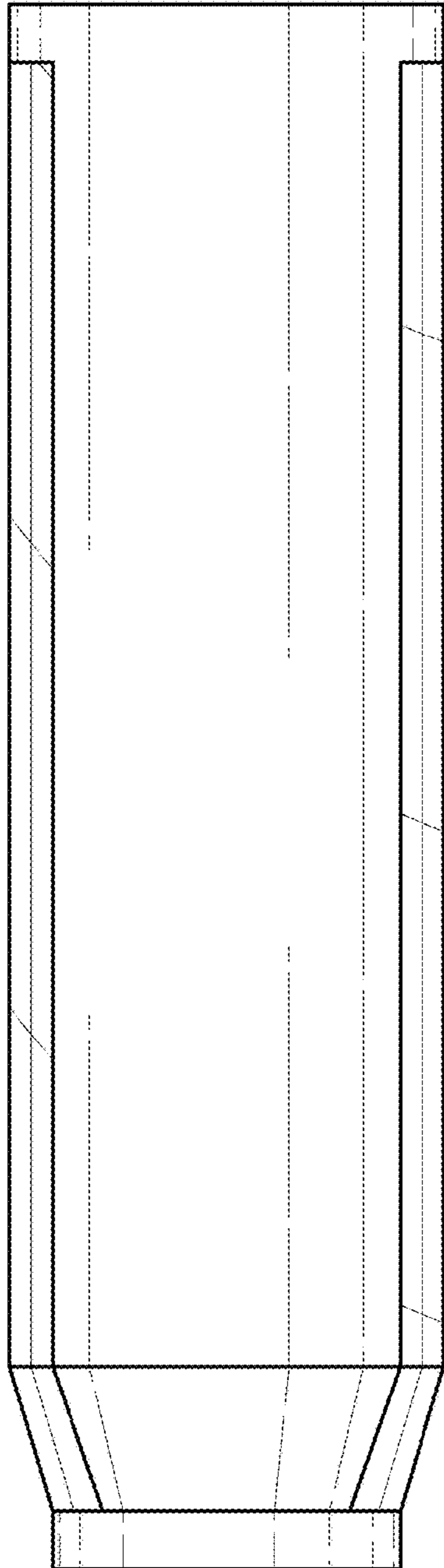


Fig. 21

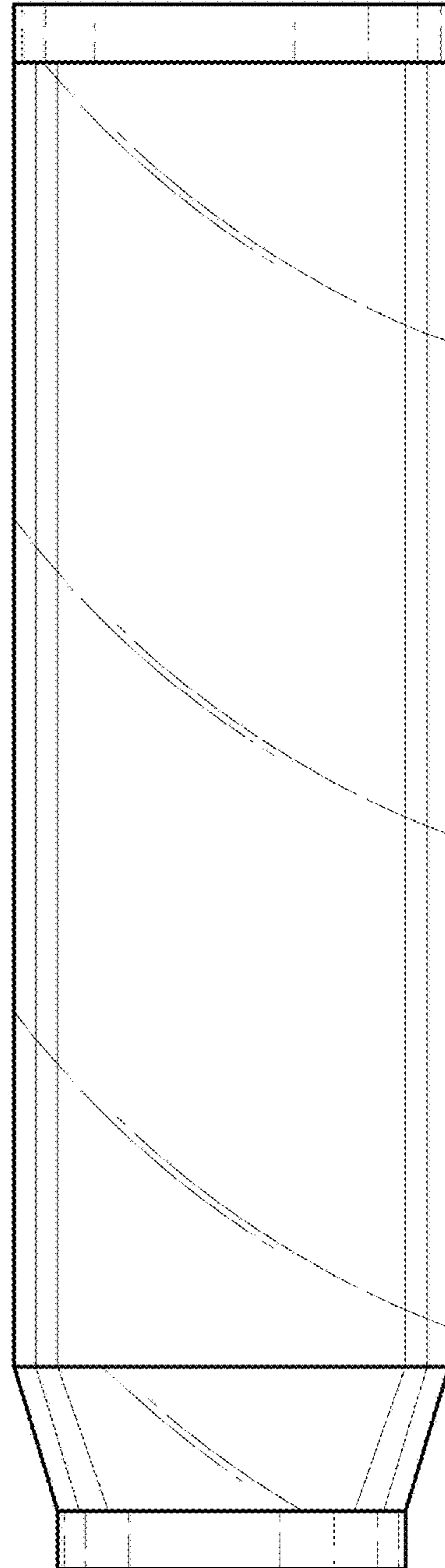


Fig. 22

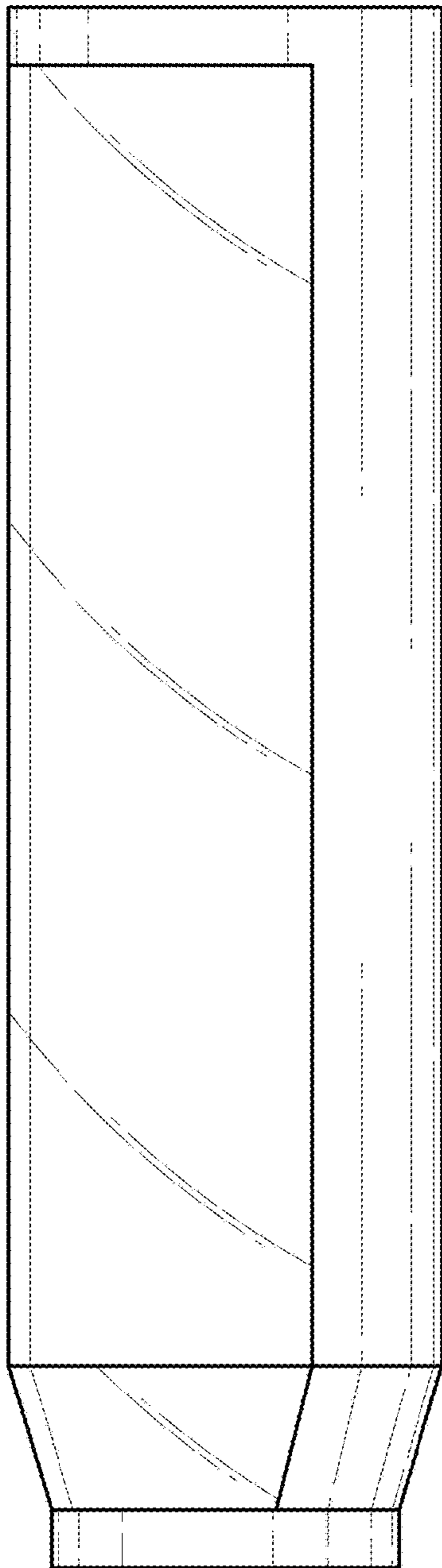


Fig. 23

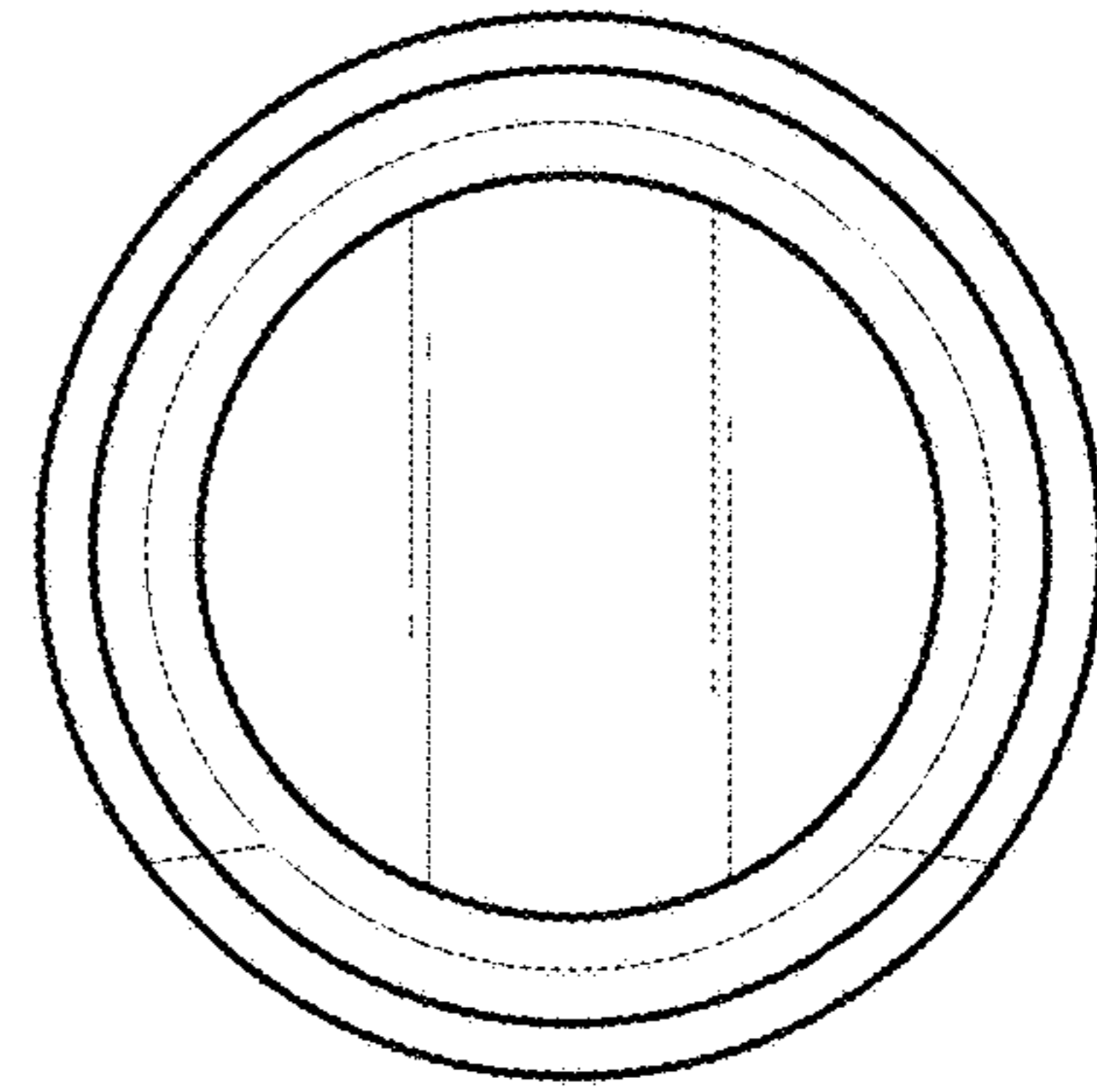


Fig. 24

