

US00D865210S

(12) **United States Design Patent**
Poirier et al.

(10) **Patent No.:** **US D865,210 S**

(45) **Date of Patent:** **** Oct. 29, 2019**

(54) **SAMPLE PORT**

(71) Applicant: **Qualigen, Inc.**, Carlsbad, CA (US)

(72) Inventors: **Michael Poirier**, Vista, CA (US); **John Stephen Middleton**, Carlsbad, CA (US); **James Wallace Ballentine**, Englewood, CO (US); **Suzanne Marie Poirier**, Vista, CA (US)

(73) Assignee: **Qualigen, Inc.**, Carlsbad, CA (US)

(**) Term: **15 Years**

(21) Appl. No.: **29/605,786**

(22) Filed: **May 30, 2017**

(51) **LOC (12) Cl.** **24-01**

(52) **U.S. Cl.**
USPC **D24/216**

(58) **Field of Classification Search**
USPC D24/107, 108, 121, 169, 186, 216, 217, D24/219, 222, 223, 224, 225, 226, 227, D24/231, 232; D10/81
CPC A61B 10/0038; B01L 2300/0822; B01L 2300/0825; B01L 2300/0829; B01L 3/5027; B01L 3/502707
See application file for complete search history.

(56) **References Cited**

U.S. PATENT DOCUMENTS

5,766,962 A * 6/1998 Childs A61B 10/0038
436/518
D438,310 S * 2/2001 Yamanishi D24/216

D655,423 S * 3/2012 Nielsen D24/216
D667,562 S * 9/2012 Nguyen D24/224
D673,288 S * 12/2012 Pierce D24/216
D673,290 S * 12/2012 Pierce D24/216
D735,879 S * 8/2015 Behar D24/223
D764,064 S * 8/2016 Vezina D24/187
D824,531 S * 7/2018 Potts D24/216

* cited by examiner

Primary Examiner — Derrick E Holland

(74) *Attorney, Agent, or Firm* — Umberg Zipser LLP

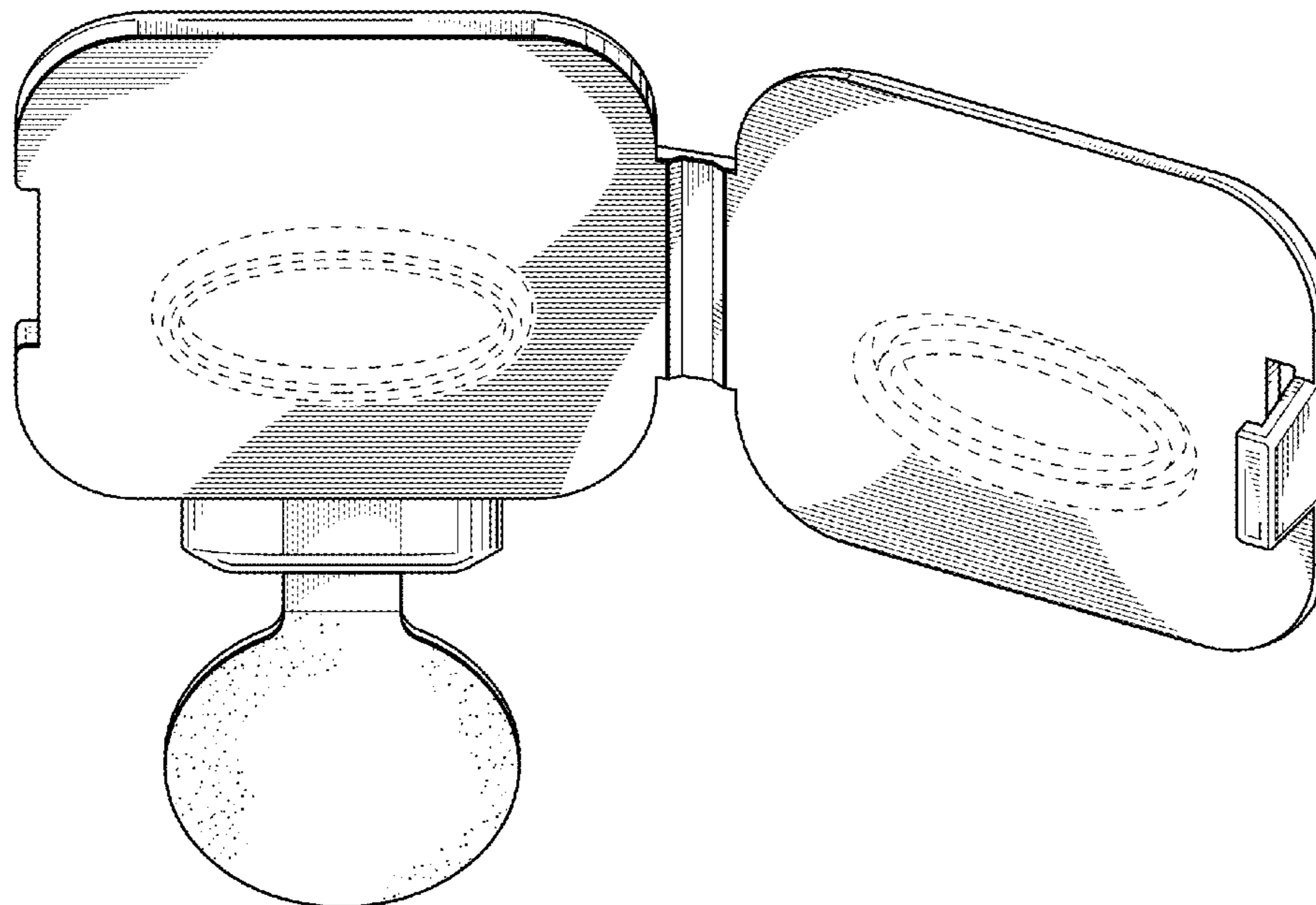
(57) **CLAIM**

The ornamental design for a sample port, as shown and described.

DESCRIPTION

FIG. 1 is a top, front, right side perspective view of a sample port showing the new design in an open position. FIG. 2 is a front elevation view thereof. FIG. 3 is a rear elevation view thereof. FIG. 4 is a left side elevation view thereof. FIG. 5 is a right side elevation view thereof. FIG. 6 is a top plan view thereof. FIG. 7 is a bottom plan view thereof; and, FIG. 8 is a top, front, left side perspective view of the sample port of the new design in a closed position. The broken lines shown represent the portions of the sample port that form no part of the claimed design.

1 Claim, 4 Drawing Sheets



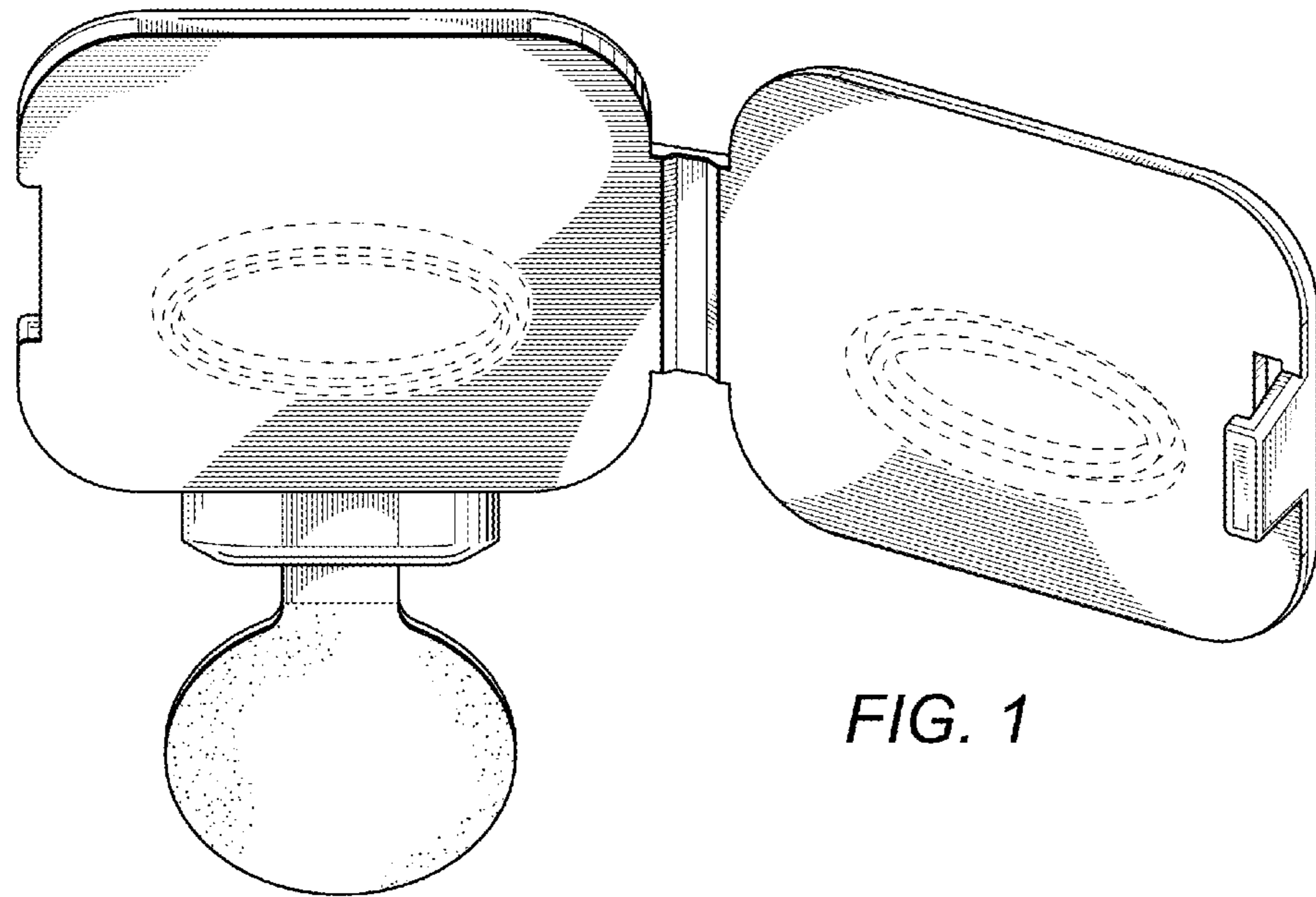


FIG. 1

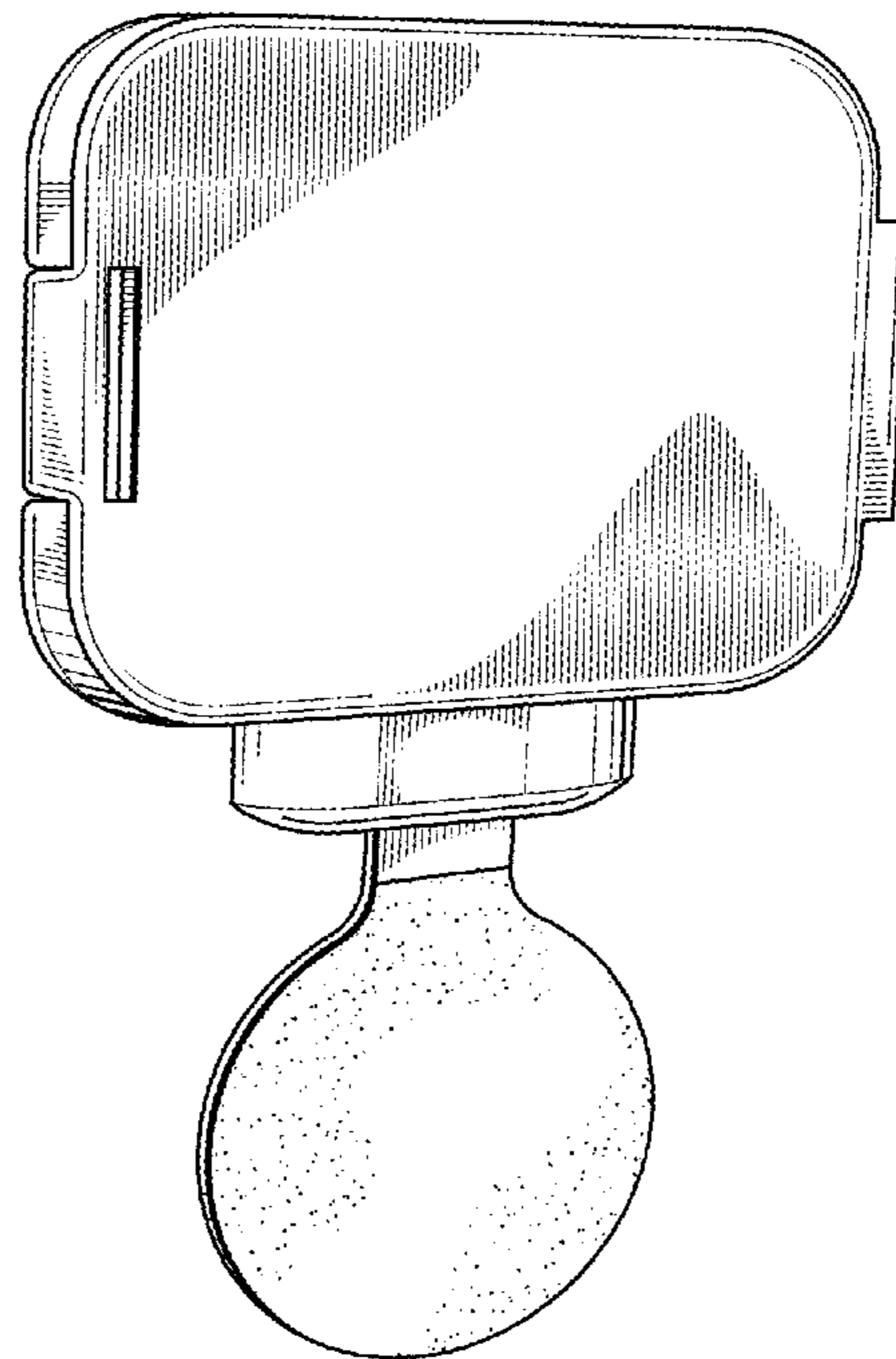


FIG. 8

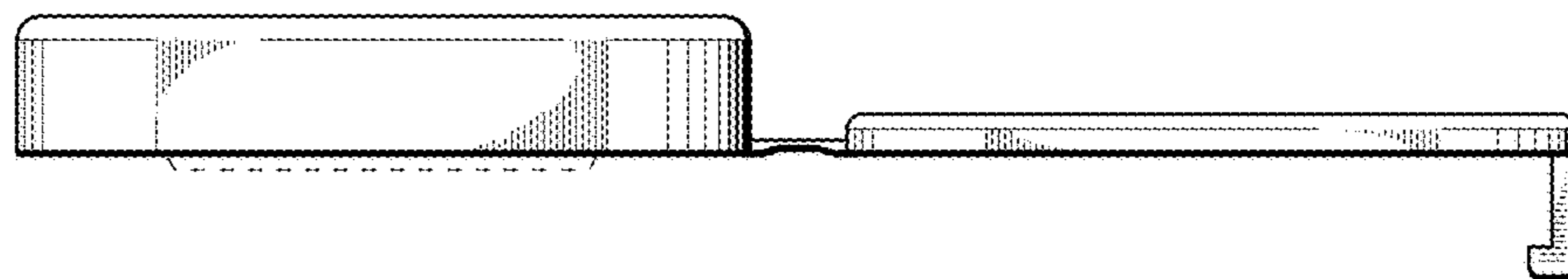


FIG. 6

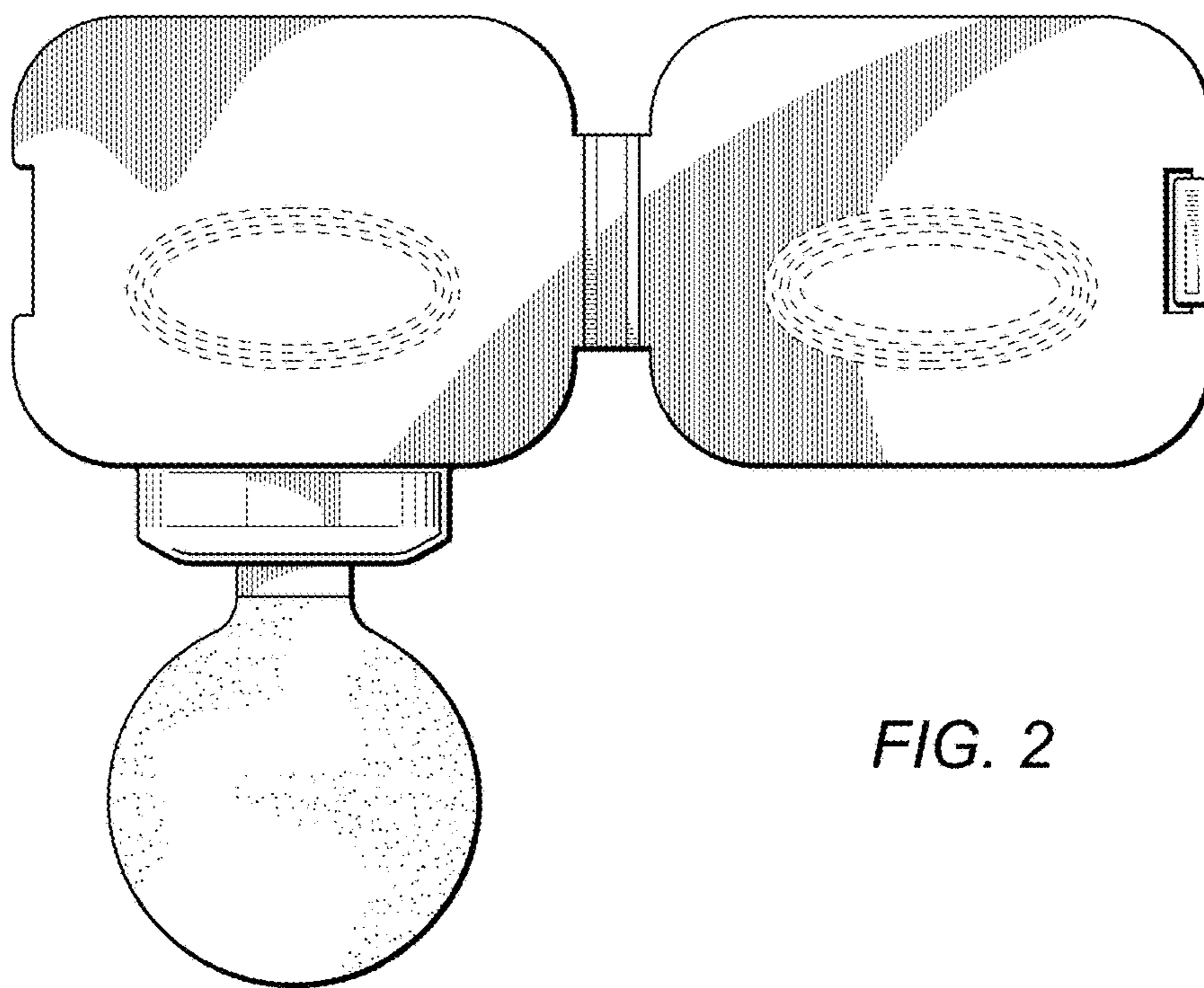
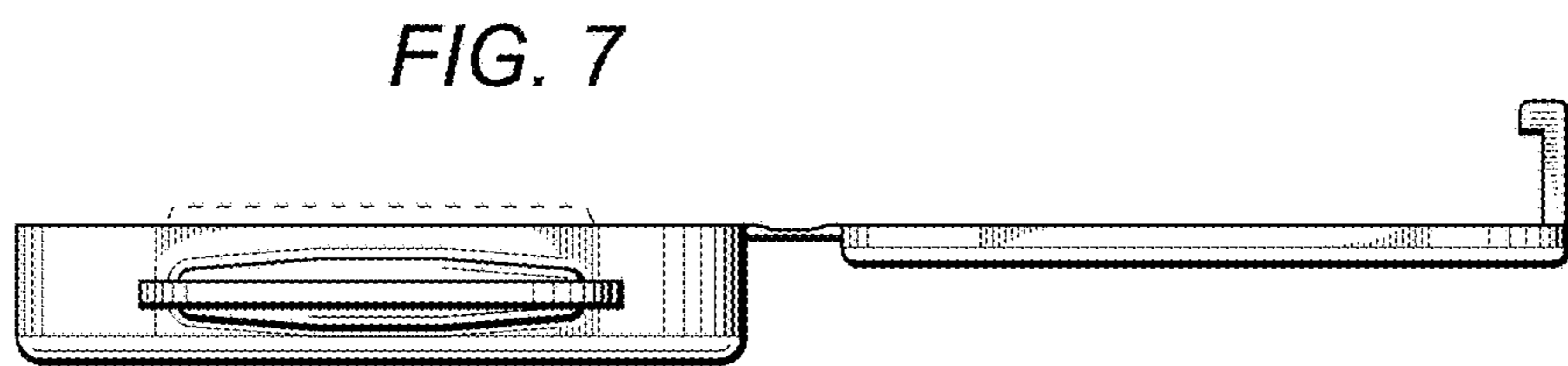
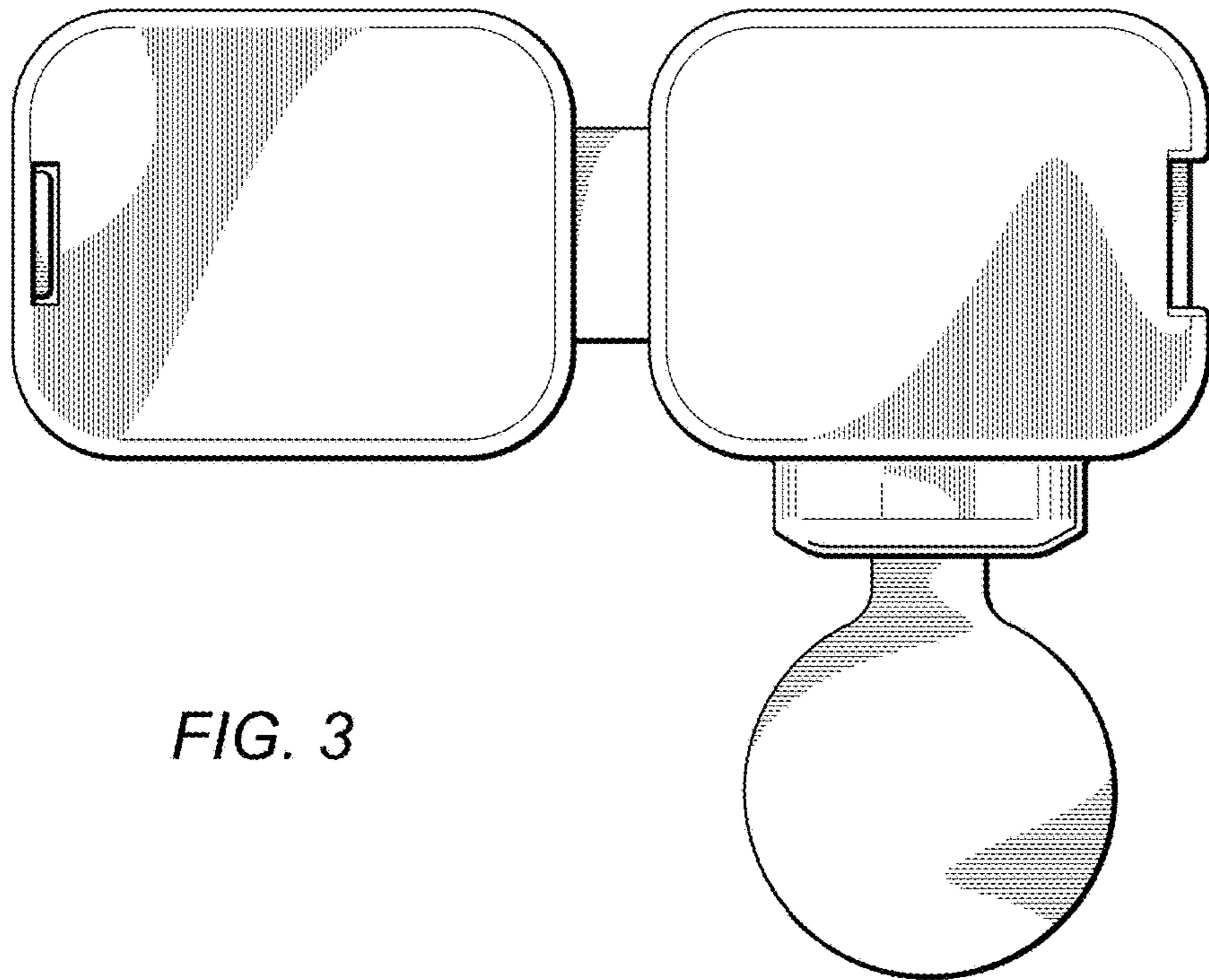


FIG. 2



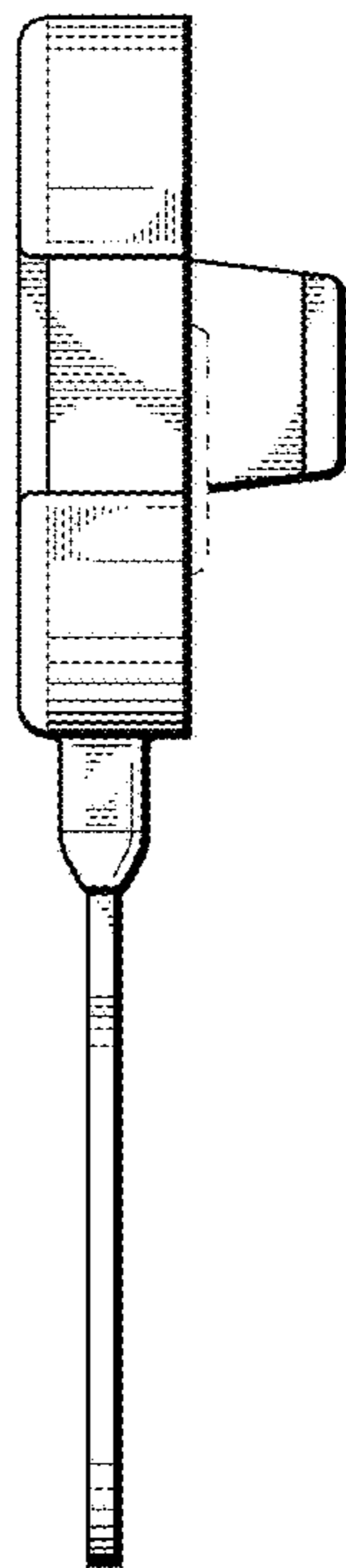


FIG. 4

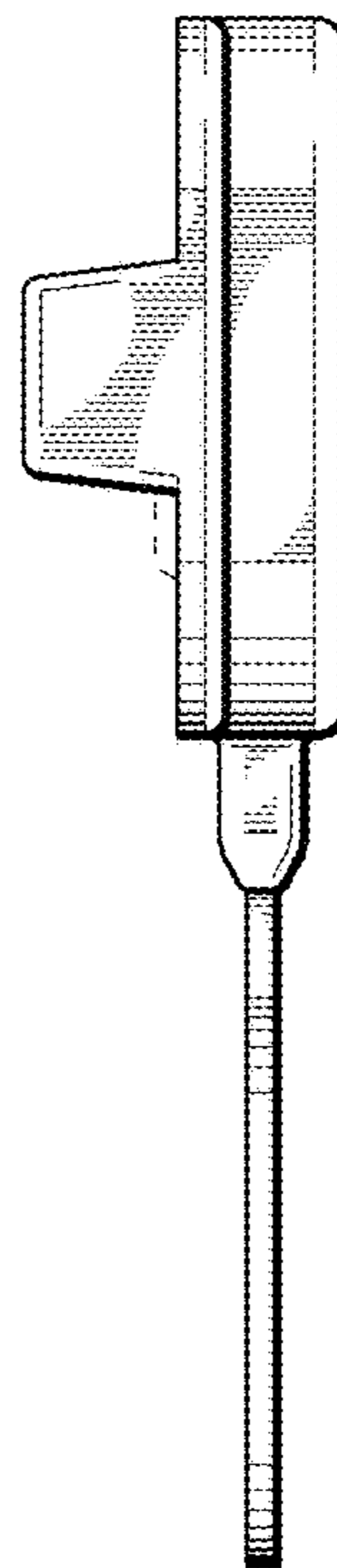


FIG. 5