



US00D865201S

(12) **United States Design Patent** (10) **Patent No.:** **US D865,201 S**
Gaquiere et al. (45) **Date of Patent:** **** *Oct. 29, 2019**

(54) **SKIN TREATMENT APPARATUS**
(71) Applicant: **Reckitt Benckiser (Brands) Limited**, Slough (GB)
(72) Inventors: **Mathias Gaquiere**, Slough (GB); **Ben Ombler**, Hull (GB); **Elizabeth Roberts**, Slough (GB); **Norman Stevenson**, Warwick (GB); **Simon Woolley**, Hull (GB)
(73) Assignee: **RECKITT BENCKISER HEALTH LIMITED**, Slough (GB)
(*) Notice: This patent is subject to a terminal disclaimer.
(**) Term: **15 Years**
(21) Appl. No.: **29/636,310**
(22) Filed: **Feb. 7, 2018**
(30) **Foreign Application Priority Data**
Aug. 8, 2017 (EM) 004139202-0003
(51) **LOC (12) Cl.** **28-03**
(52) **U.S. Cl.**
USPC **D24/211**
(58) **Field of Classification Search**
USPC D24/108, 112, 113, 114, 115, 127, 133, D24/146, 147, 148, 149, 151, 214, 215, D24/231, 211; D28/7, 9, 44, 44.1, 49, D28/57, 59, 62, 91.1; D9/723, 726, 727; D7/669, 682, 697; D32/25, 40, 35
CPC A61H 15/00; A61H 2015/0014; A61H 15/0092; A61H 23/0263; A61M 5/2387; A61M 5/3295; A61M 5/3297; A61M 5/3298; A61M 2037/0023; A61M 37/00; A61M 37/0015; A45D 2/2471; A46B 2200/104; G01M 17/0074
See application file for complete search history.

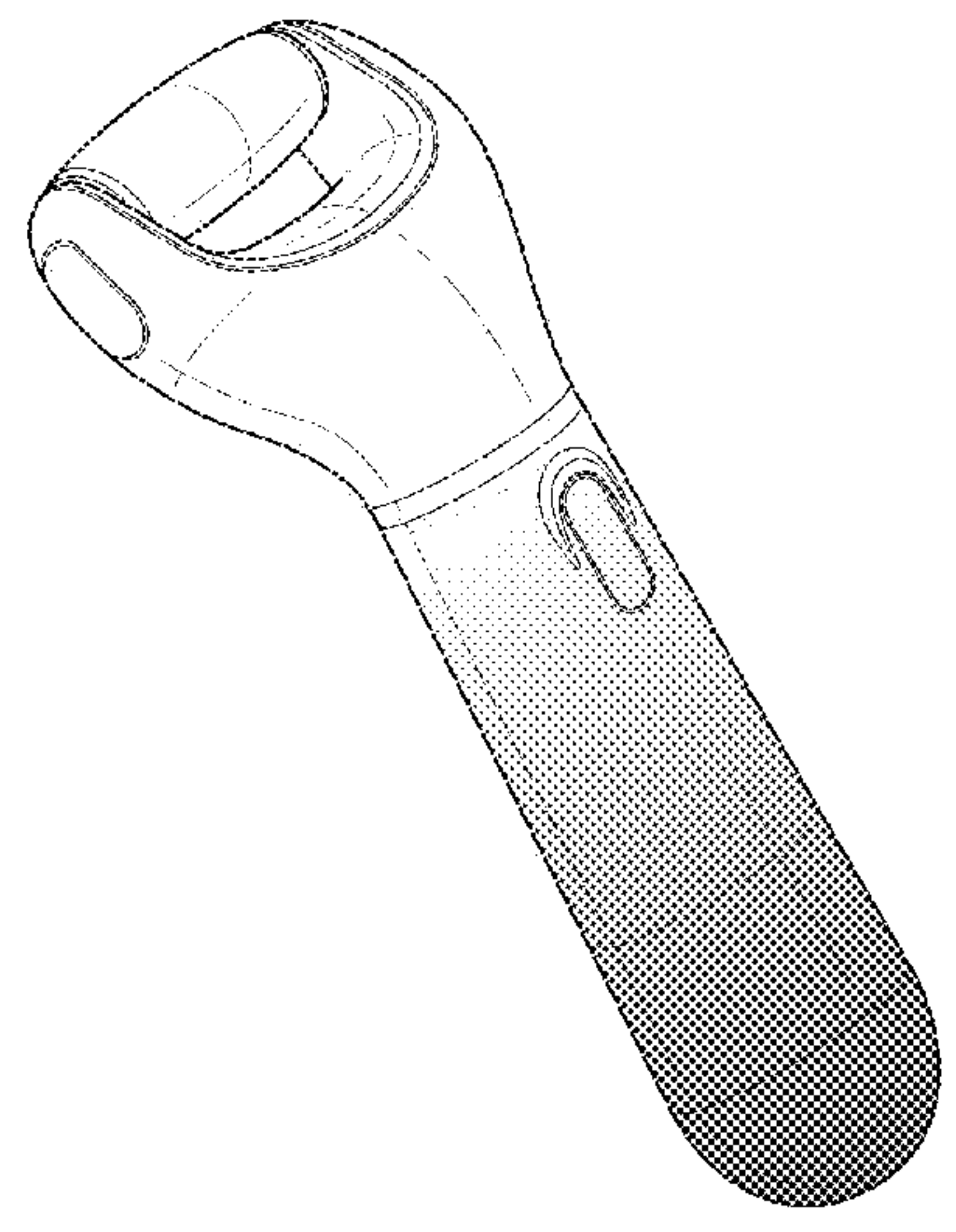
(56) **References Cited**
U.S. PATENT DOCUMENTS
D706,981 S * 6/2014 Clough D28/44.1
D737,517 S * 8/2015 Yiu D28/49
D752,812 S * 3/2016 Sivan D28/58
D759,311 S * 6/2016 Khubani D28/58
D781,498 S * 3/2017 Pel D24/133
D781,499 S * 3/2017 Pel D24/133
D820,522 S * 6/2018 Colin D28/58
D824,596 S * 7/2018 Gobber A45D 29/00
D841,176 S * 2/2019 Gaquiere D24/211
D845,633 S * 4/2019 Gaquiere D4/102
D849,259 S * 5/2019 Gaquiere D24/211
(Continued)

Primary Examiner — Cathron C Brooks
Assistant Examiner — Samantha Q Lawrence
(74) *Attorney, Agent, or Firm* — Troutman Sanders LLP; Ryan Schneider; Chris Davis

(57) **CLAIM**
The ornamental design for a skin treatment apparatus, as shown and described.

DESCRIPTION
The file of this patent contains at least one drawing executed in color. Copies of this patent with color drawings will be provided by the Office upon request and payment of the necessary fee.
FIG. 1 is a perspective view of our new design for a skin treatment apparatus;
FIG. 2 is a rear elevation view thereof;
FIG. 3 is a left side elevation view thereof;
FIG. 4 is a front elevation view thereof;
FIG. 5 is a right side elevation view thereof;
FIG. 6 is a top plan view thereof; and,
FIG. 7 is a bottom plan view thereof.

1 Claim, 7 Drawing Sheets
(7 of 7 Drawing Sheet(s) Filed in Color)



(56)

References Cited

U.S. PATENT DOCUMENTS

D850,724 S * 6/2019 Luo D28/58
2015/0374409 A1 * 12/2015 Chopdat A61H 7/005
606/131

* cited by examiner

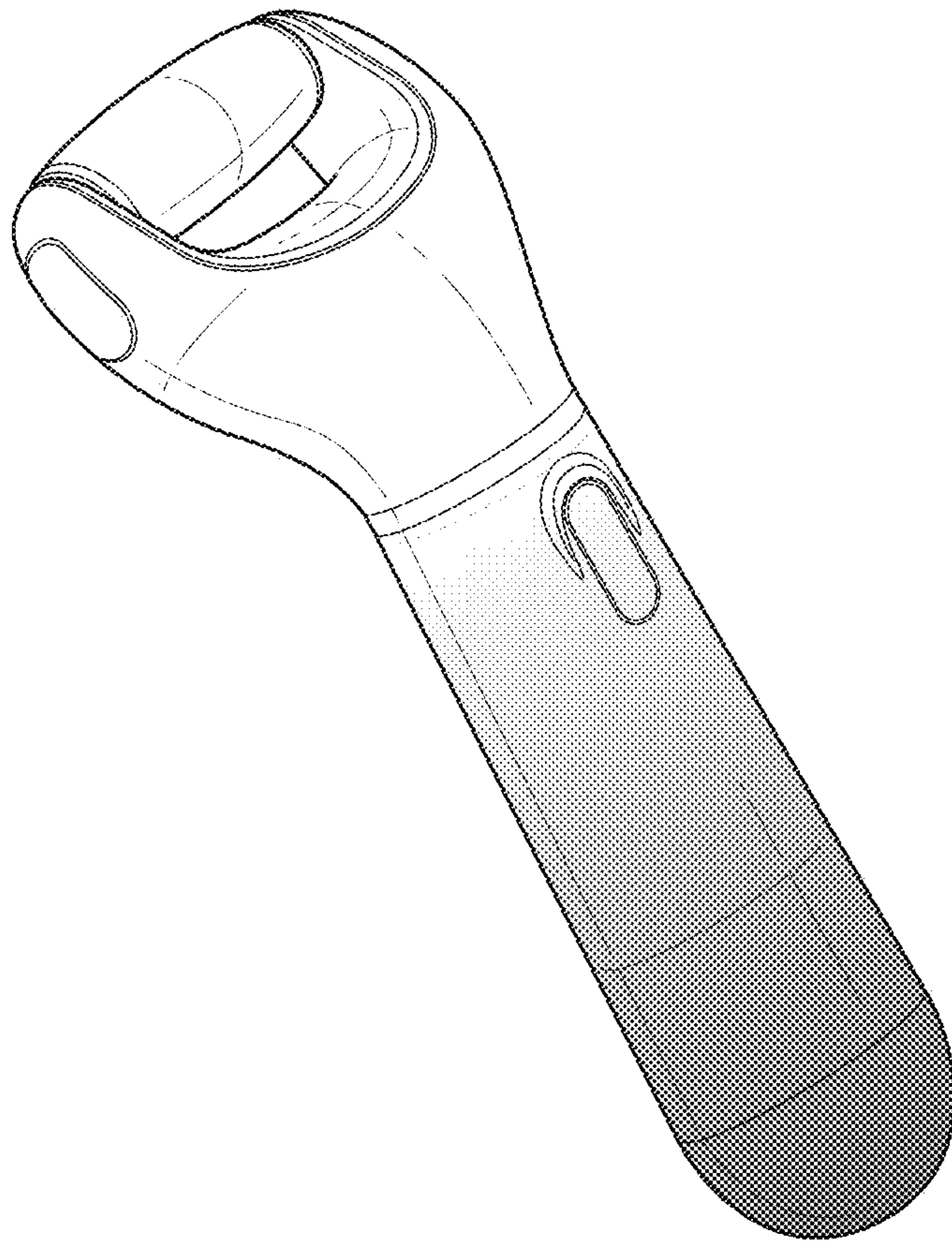


Fig. 1

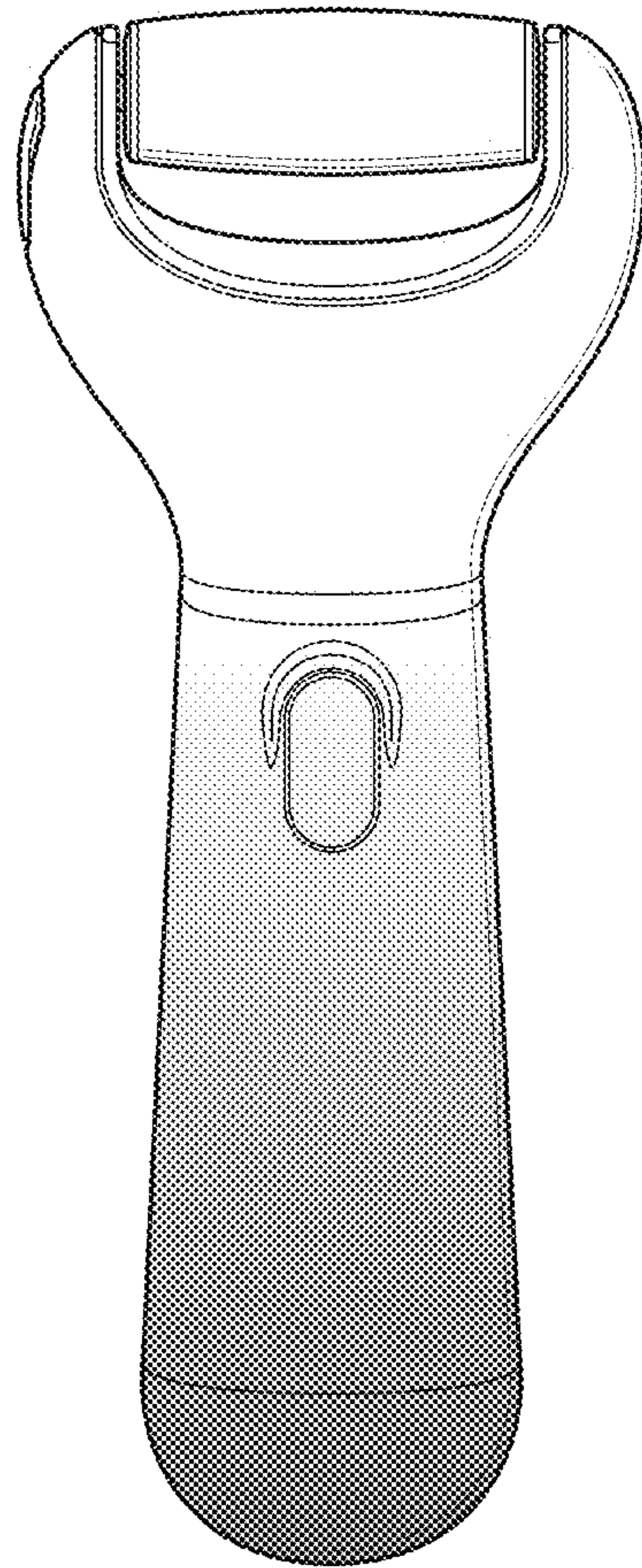


Fig. 2

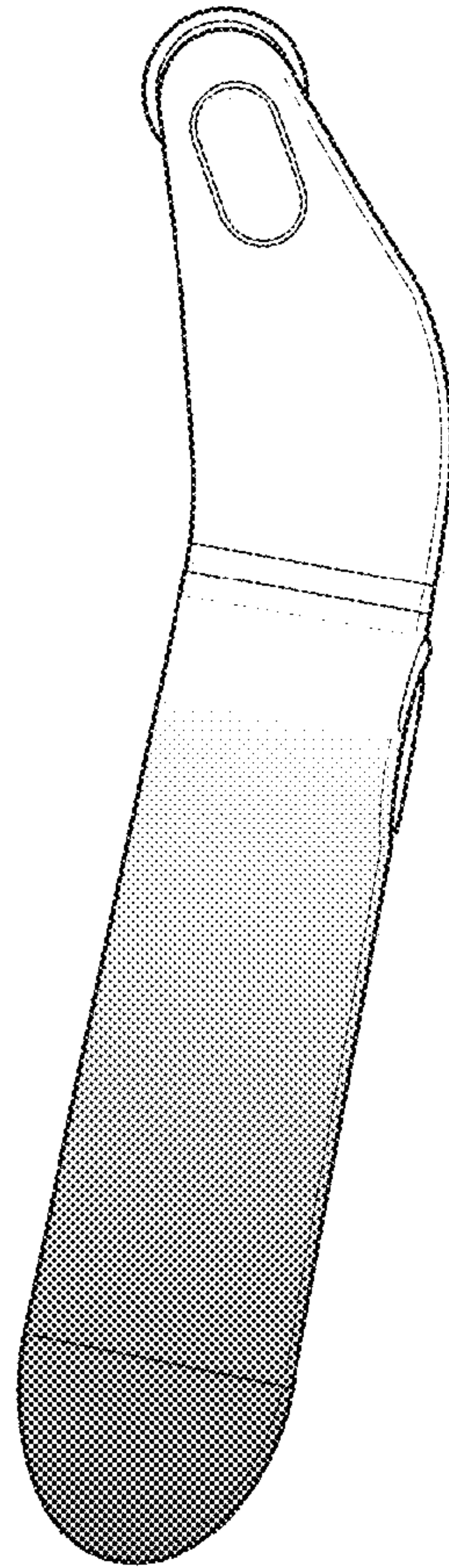


Fig. 3

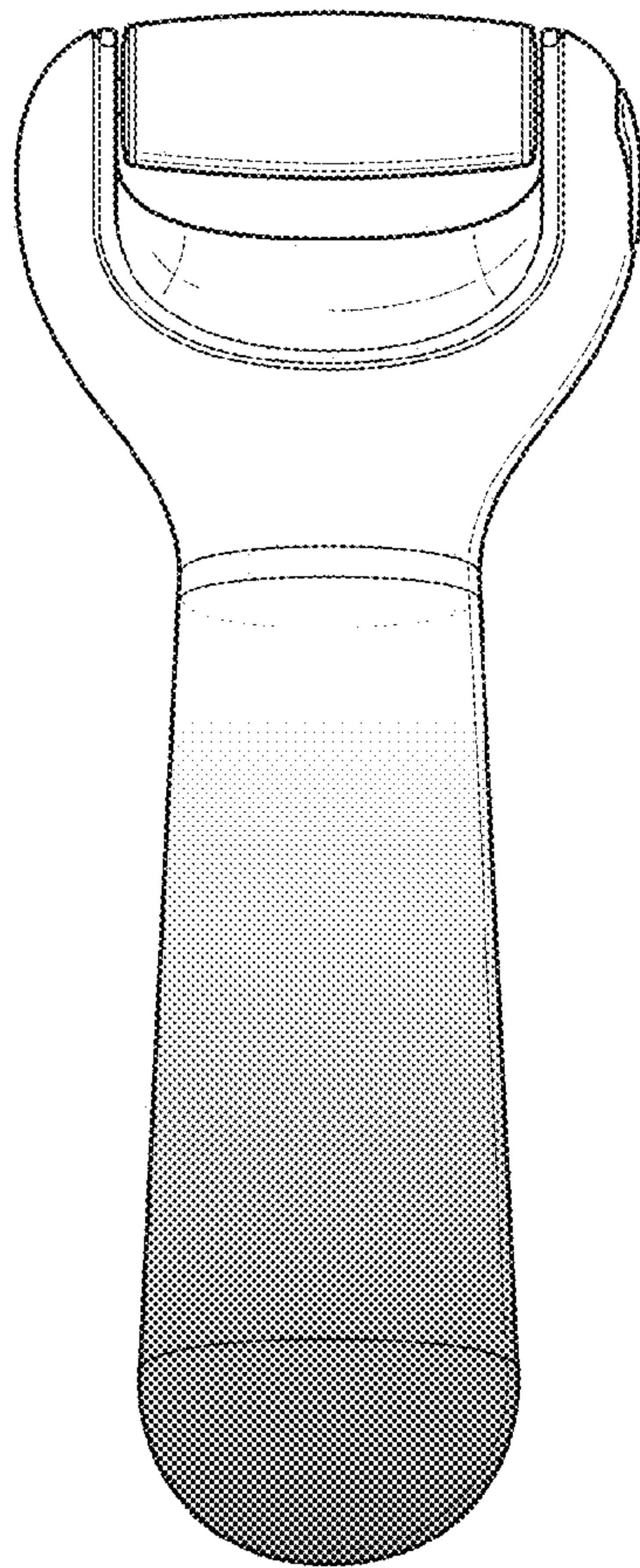


Fig. 4

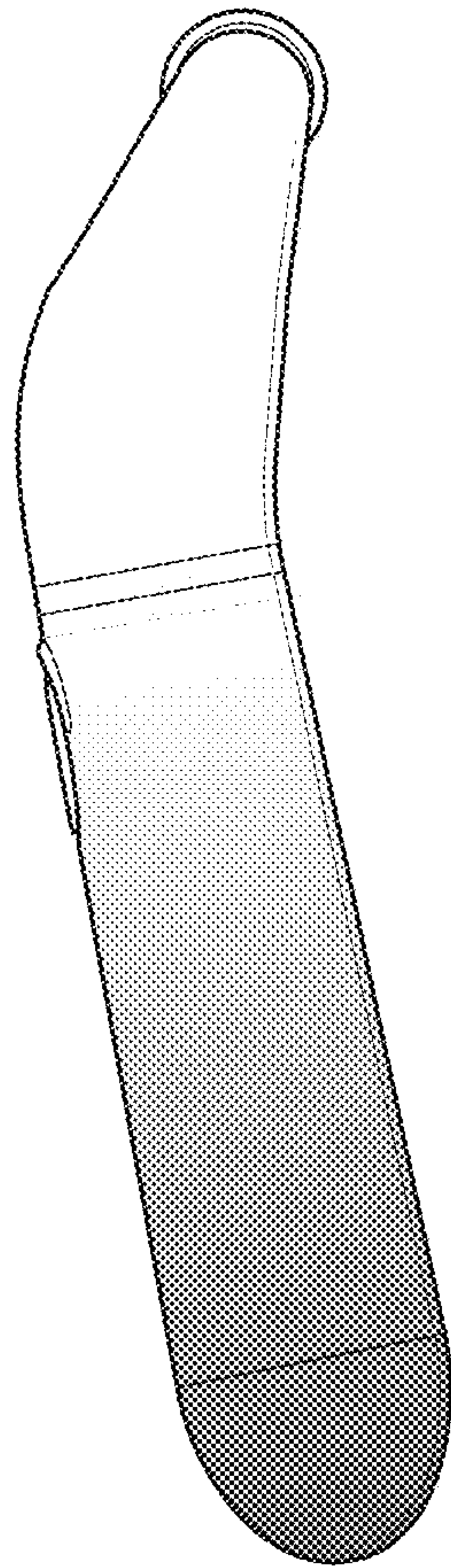


Fig. 5

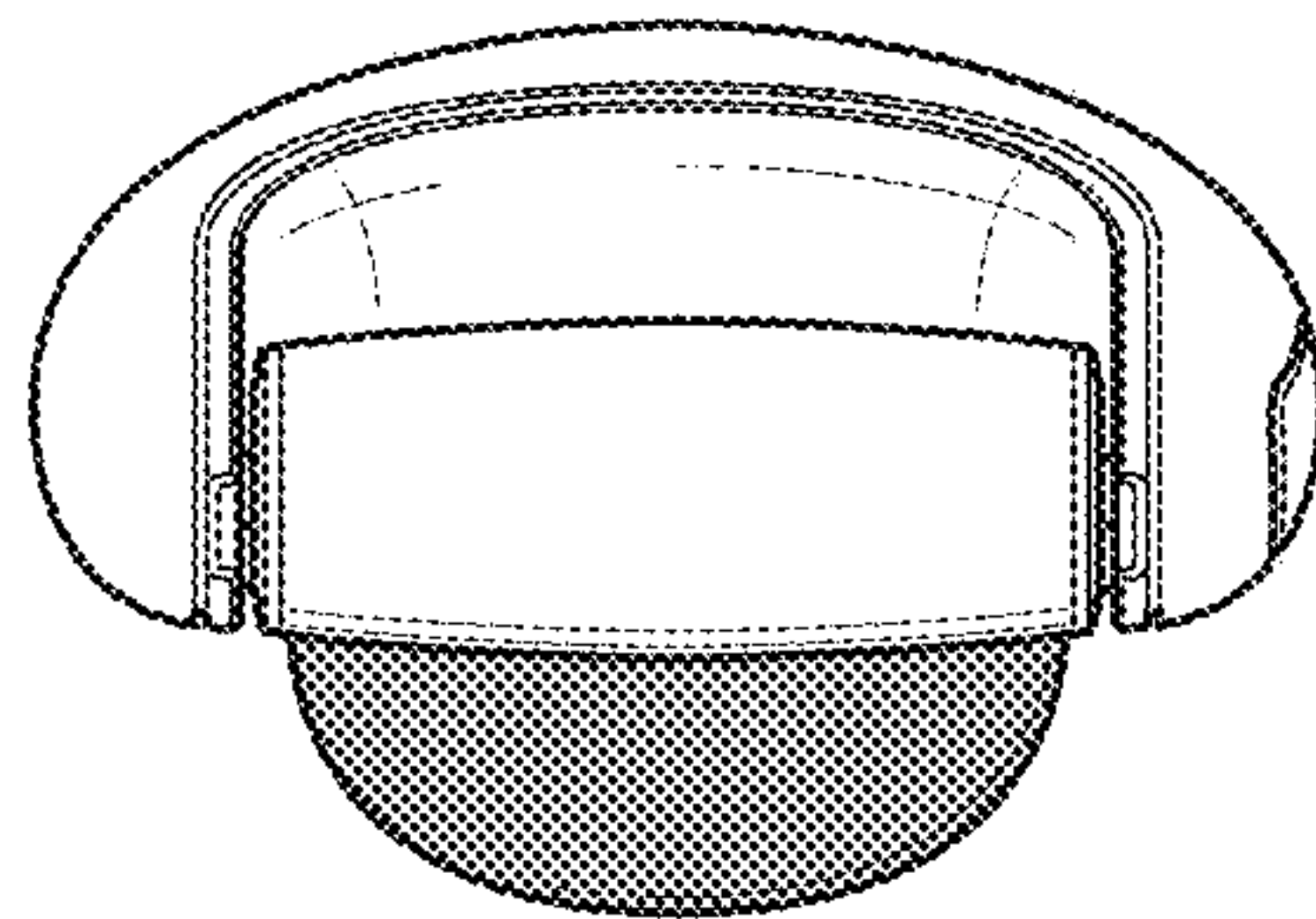


Fig. 6

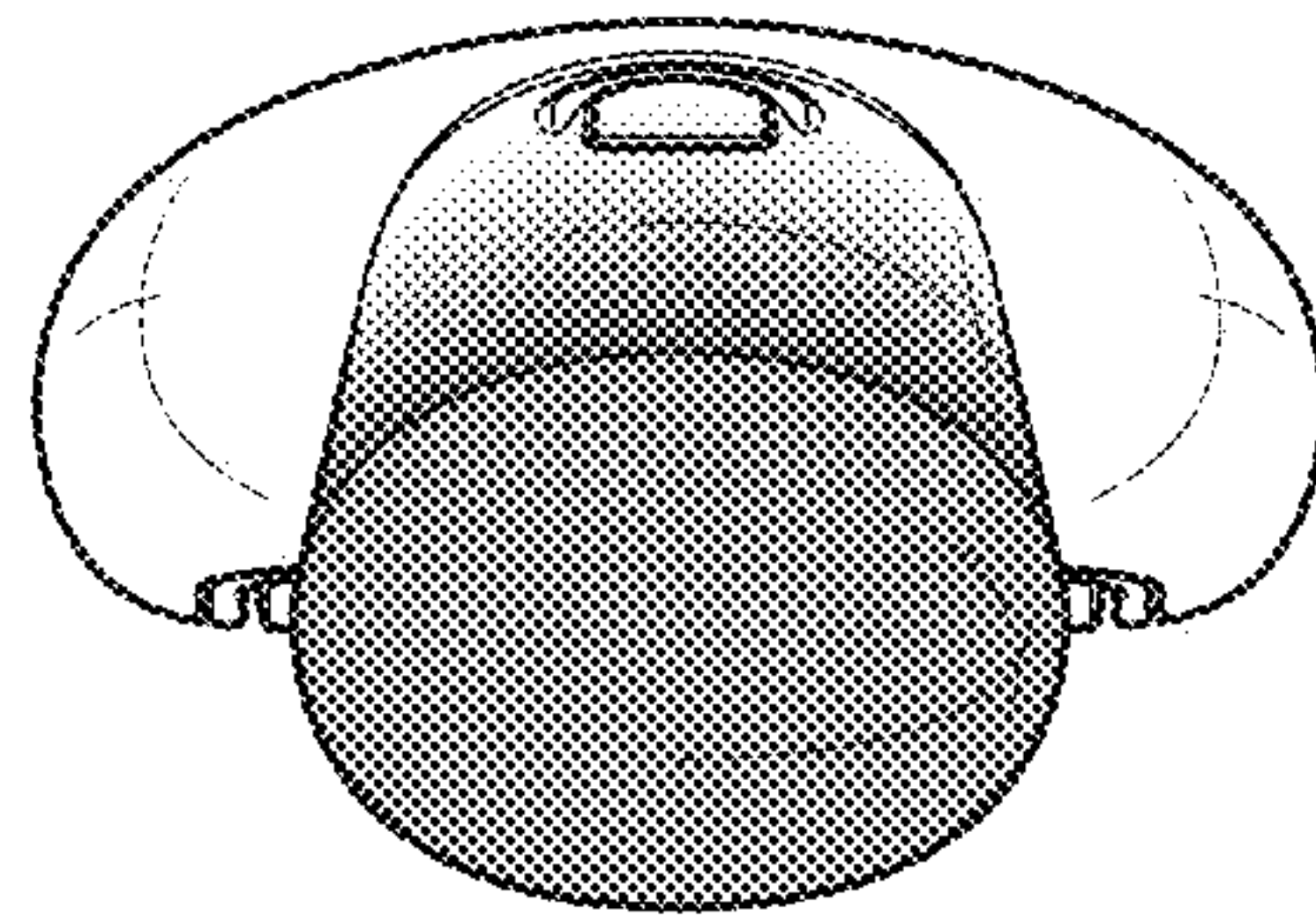


Fig. 7