

US00D865200S

(12) **United States Design Patent** (10) **Patent No.:** **US D865,200 S**
Clayborne et al. (45) **Date of Patent:** **** Oct. 29, 2019**

(54) **NASAL COMPRESSION DEVICE**

(56) **References Cited**

(71) Applicant: **Emergency Medical Innovation LLC**,
Laurel, MD (US)

U.S. PATENT DOCUMENTS

(72) Inventors: **Elizabeth P. Clayborne**, Fairfax, VA
(US); **Neal K. Sikka**, Vienna, VA (US);
Romil Patel, Jamestown, RI (US)

D315,705 S * 3/1991 Smith D2/861
D327,329 S * 6/1992 Hubbard D24/206
D494,671 S * 8/2004 Chiang D24/106
D576,726 S * 9/2008 Maxwell D24/106
D648,489 S * 11/2011 Stockard D29/100
8,303,619 B2 * 11/2012 DeCrescenzo A61F 7/02
606/196

(73) Assignee: **Emergency Medical Innovation LLC**,
Laurel, MD (US)

D759,239 S * 6/2016 Hartley D24/135
2016/0367276 A1 * 12/2016 Moloney A61F 13/126

(**) Term: **15 Years**

* cited by examiner

(21) Appl. No.: **29/619,758**

Primary Examiner — Wan Laymon

(22) Filed: **Oct. 2, 2017**

(74) *Attorney, Agent, or Firm* — Blank Rome LLP

Related U.S. Application Data

(63) Continuation of application No. 15/096,819, filed on
Apr. 12, 2016, now Pat. No. 10,195,088, and a
continuation of application No.
PCT/US2017/018141, filed on Feb. 16, 2017.

(57) **CLAIM**

The ornamental design for a nasal compression device, as
shown and described.

(51) **LOC (12) Cl.** **24-04**

DESCRIPTION

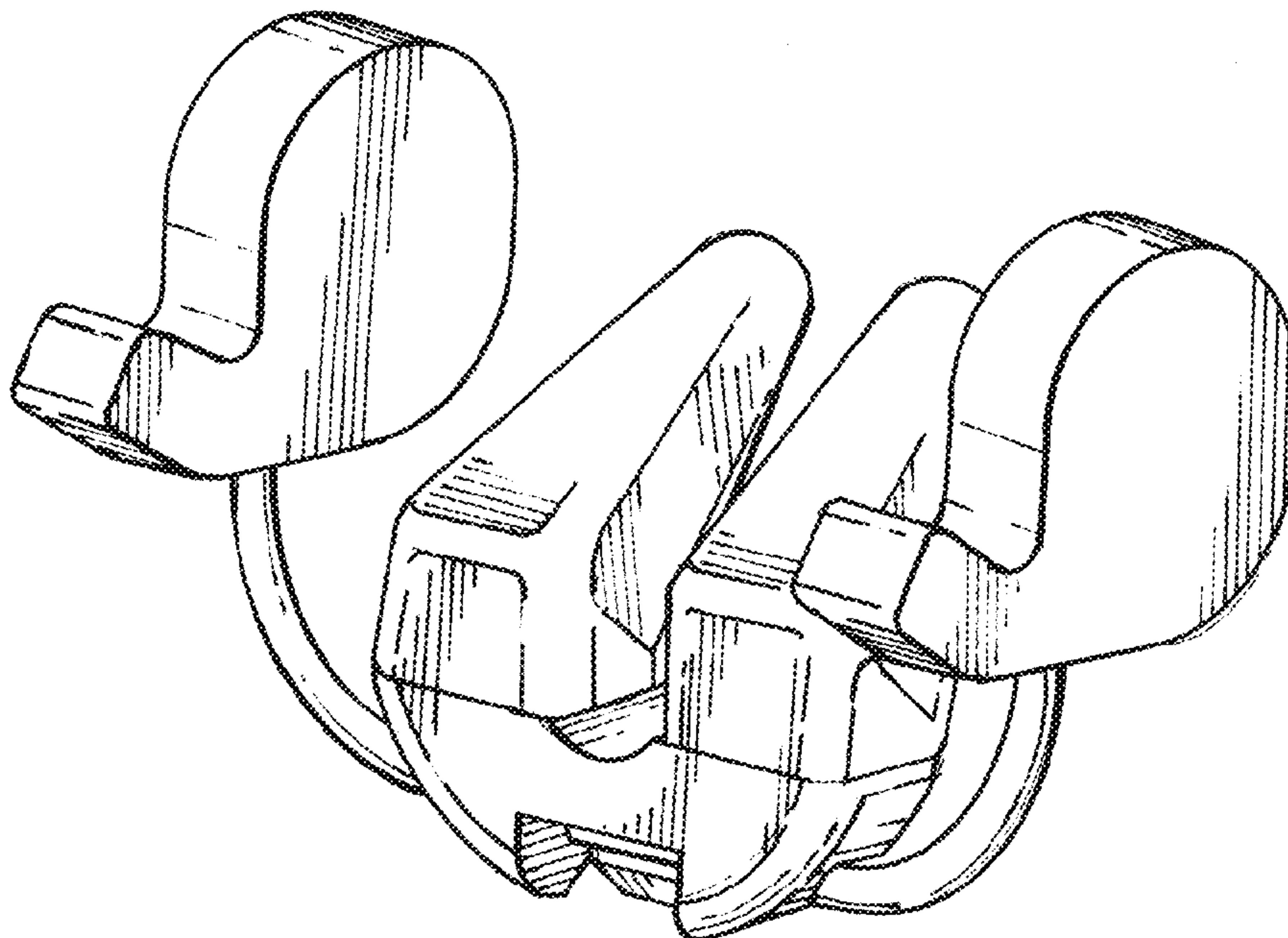
(52) **U.S. Cl.**
USPC **D24/207**; D24/206

(58) **Field of Classification Search**
USPC D24/206–208, 200, 188–191, 106–107,
D24/133, 135; D2/860–862; D29/100,
D29/101.3, 101.4
CPC A61F 7/106; A61F 7/00; A61F 7/10; A61F
2007/0001; A61F 2007/0006; A61F
13/00; A61F 13/126; A61F 2013/00476;
A61B 5/6819; A41B 13/10; A41B
13/103; A62B 9/06

FIG. 1 is a top view of a nasal compression device of our
design;
FIG. 2 is a bottom view thereof;
FIG. 3 is a rear view thereof;
FIG. 4 is a front view thereof;
FIG. 5 is a side view thereof;
FIG. 6 is a perspective view thereof in an open position; and,
FIG. 7 is a perspective view thereof in a compressed
position.

See application file for complete search history.

1 Claim, 3 Drawing Sheets



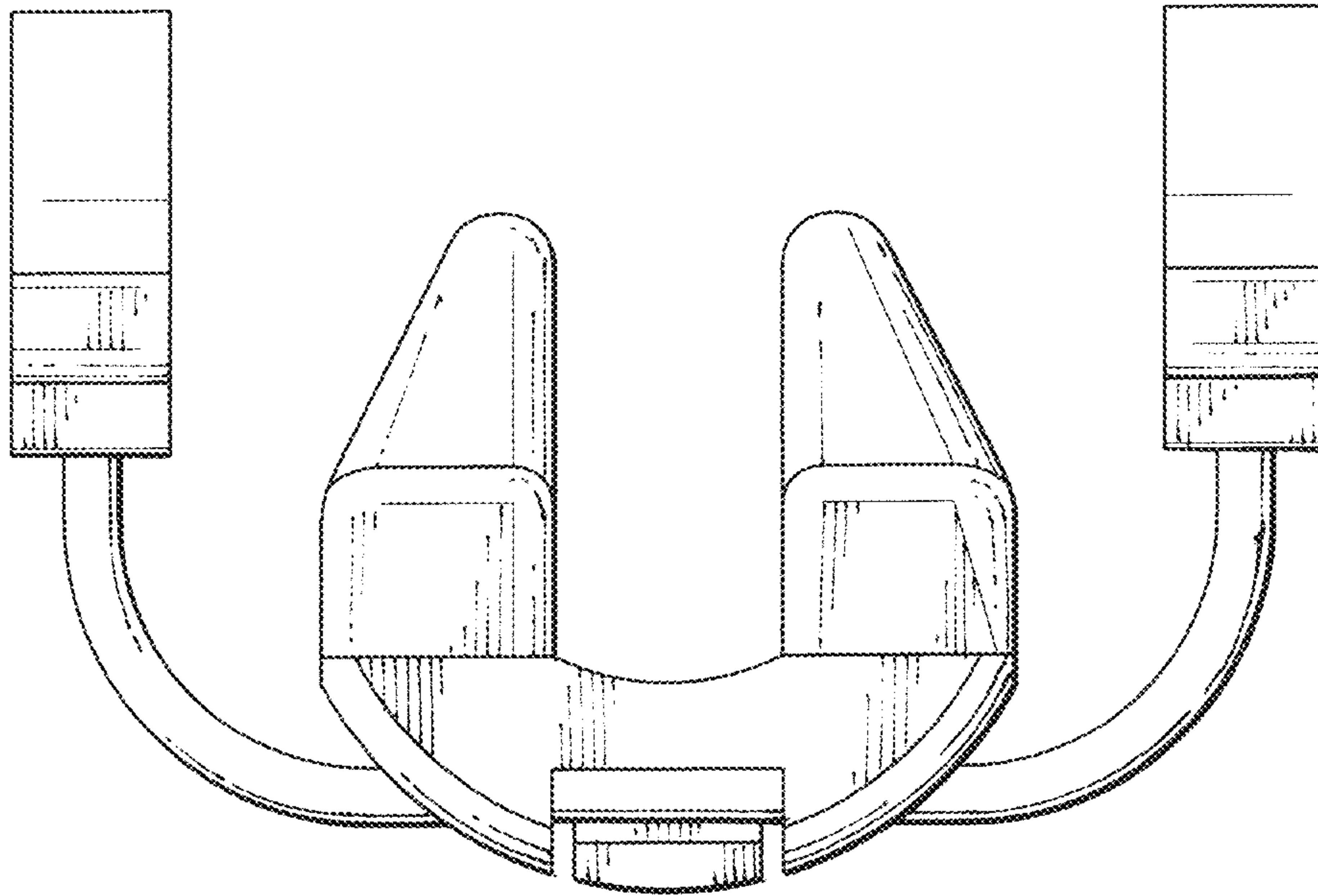


FIG. 1

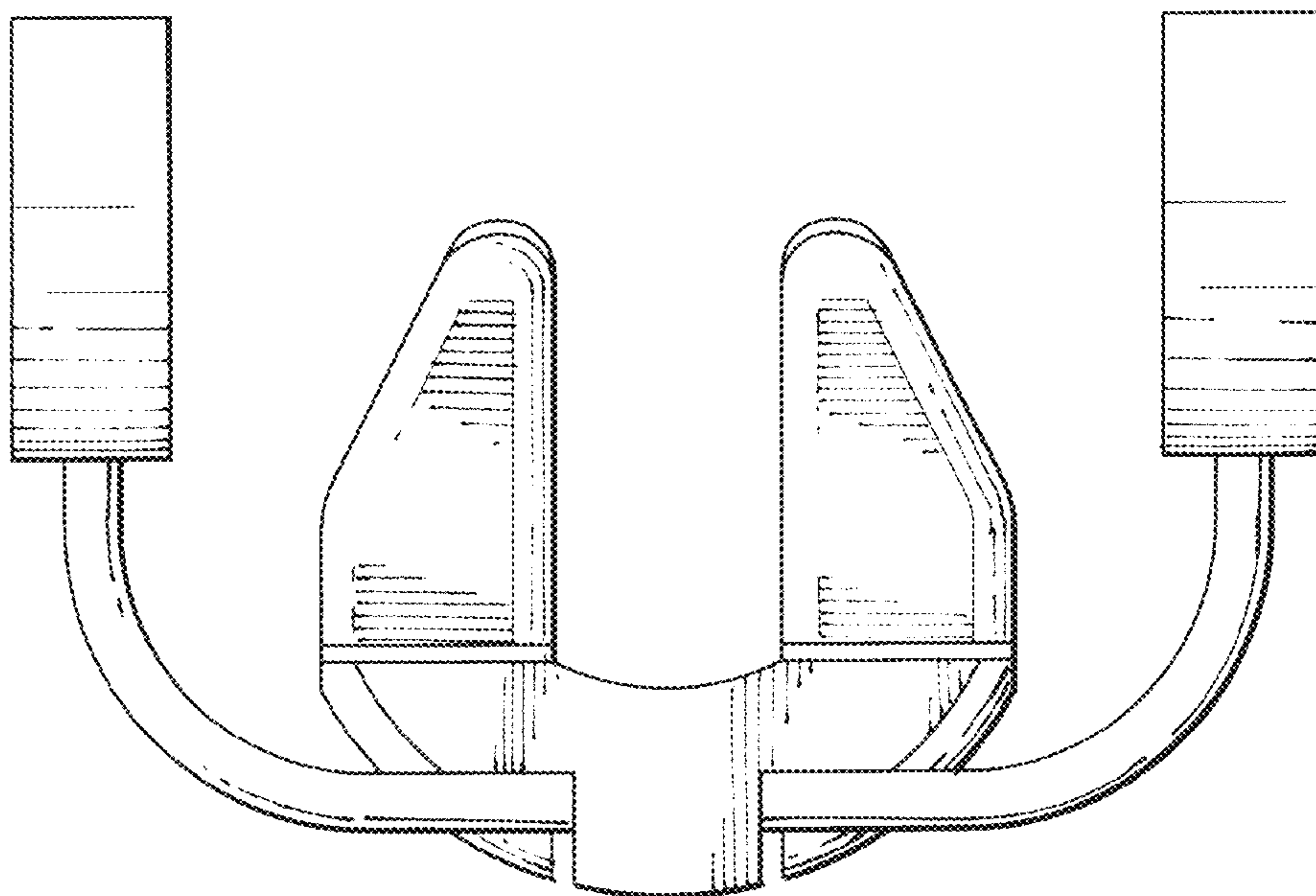
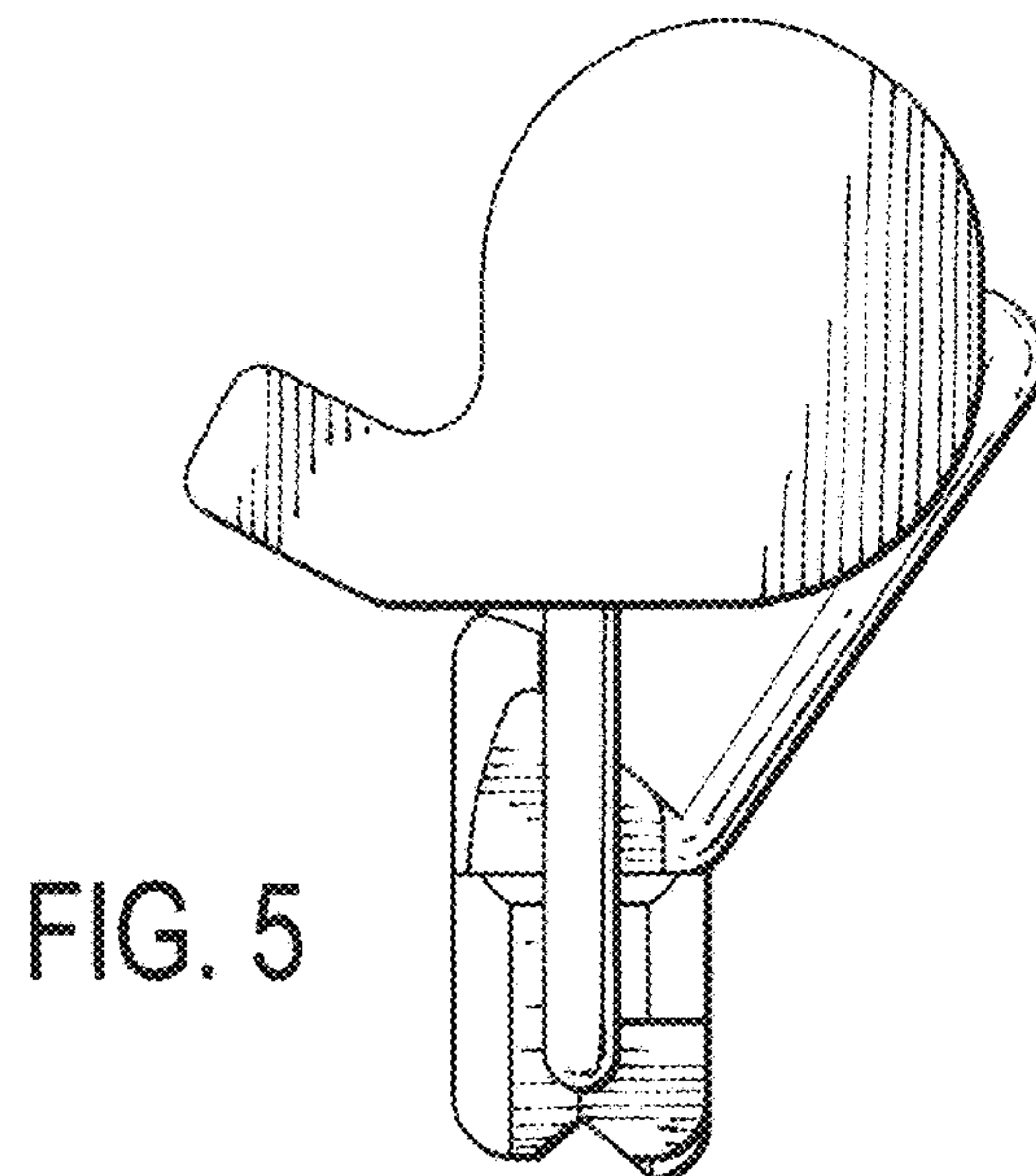
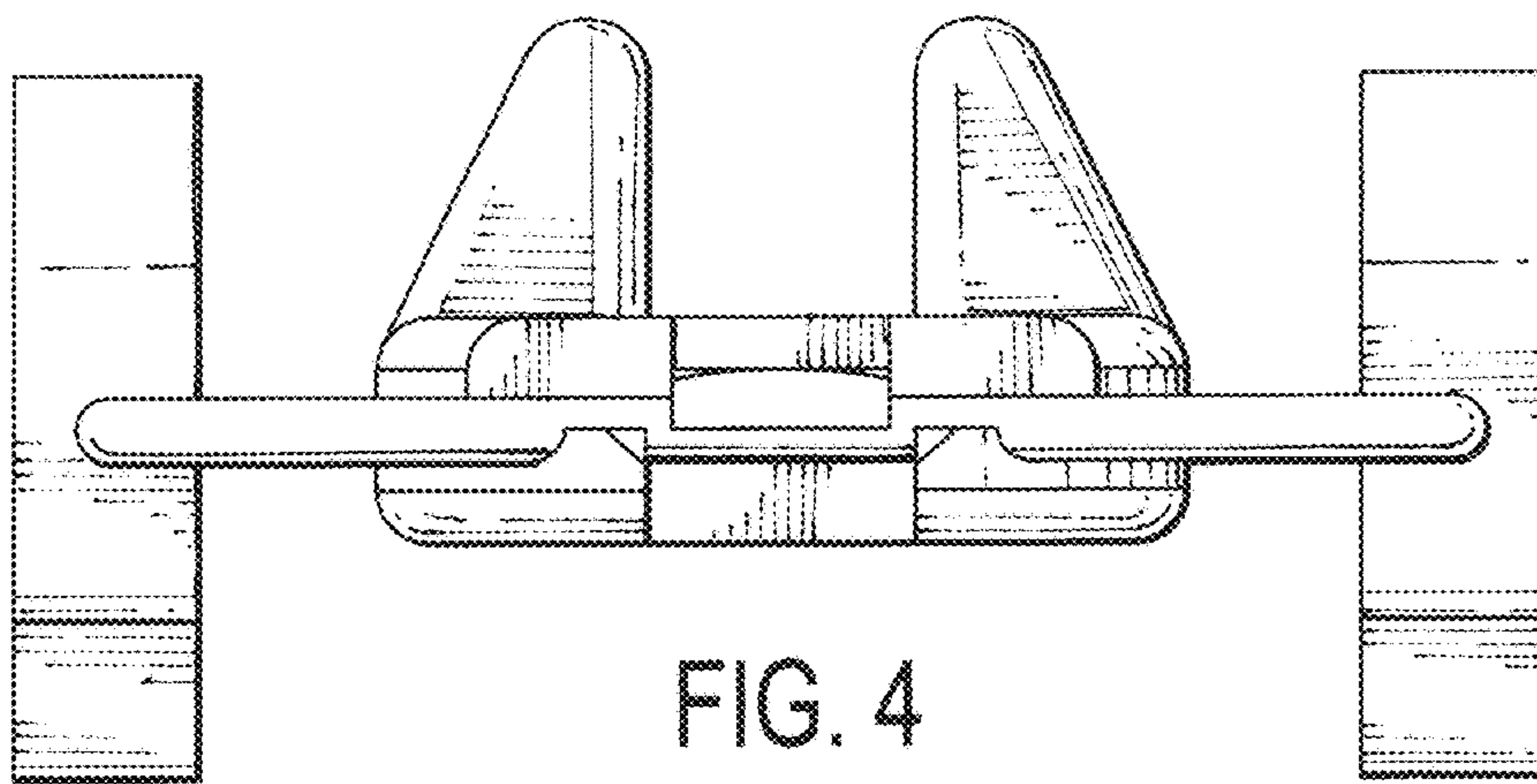
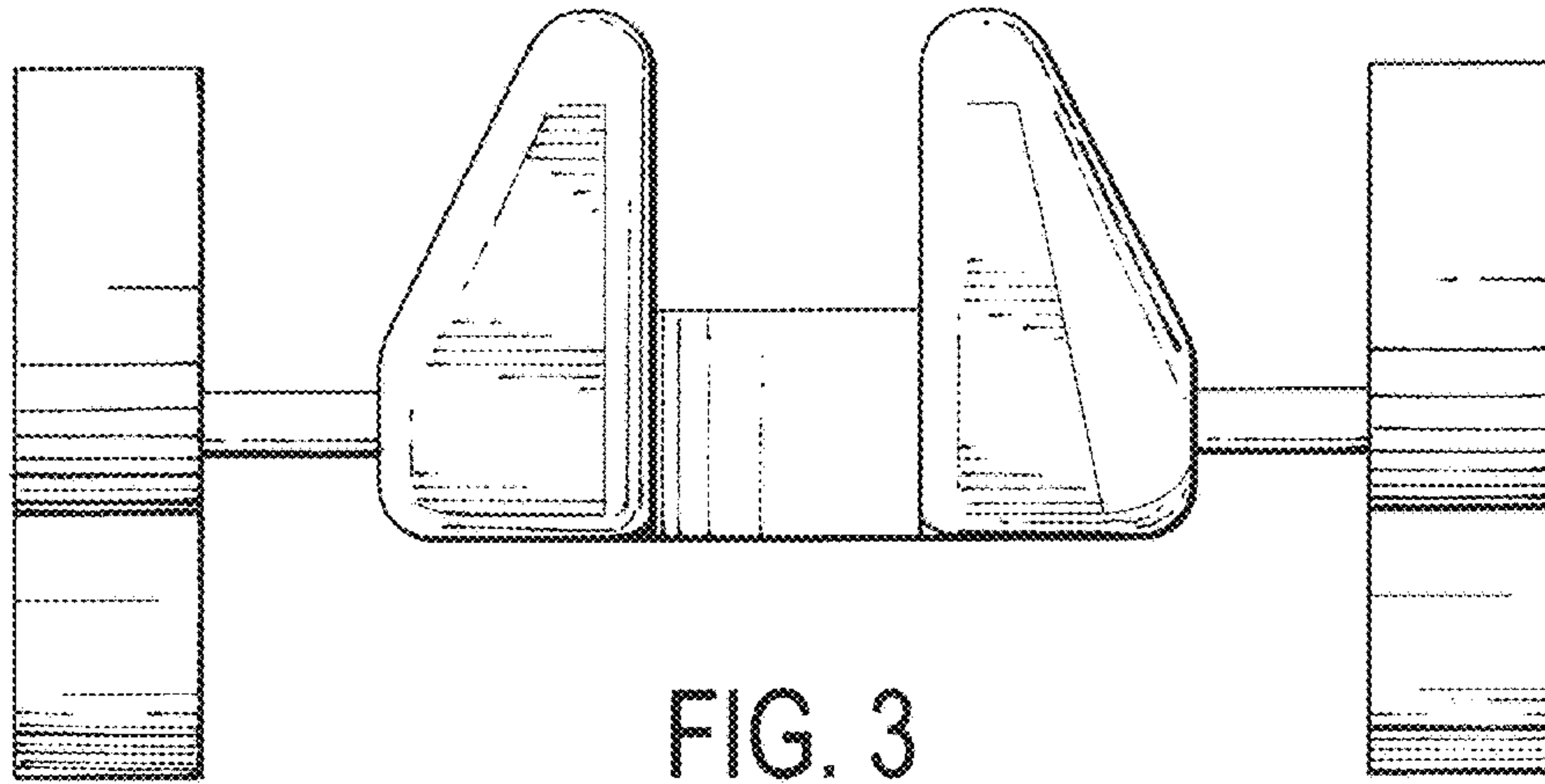


FIG. 2



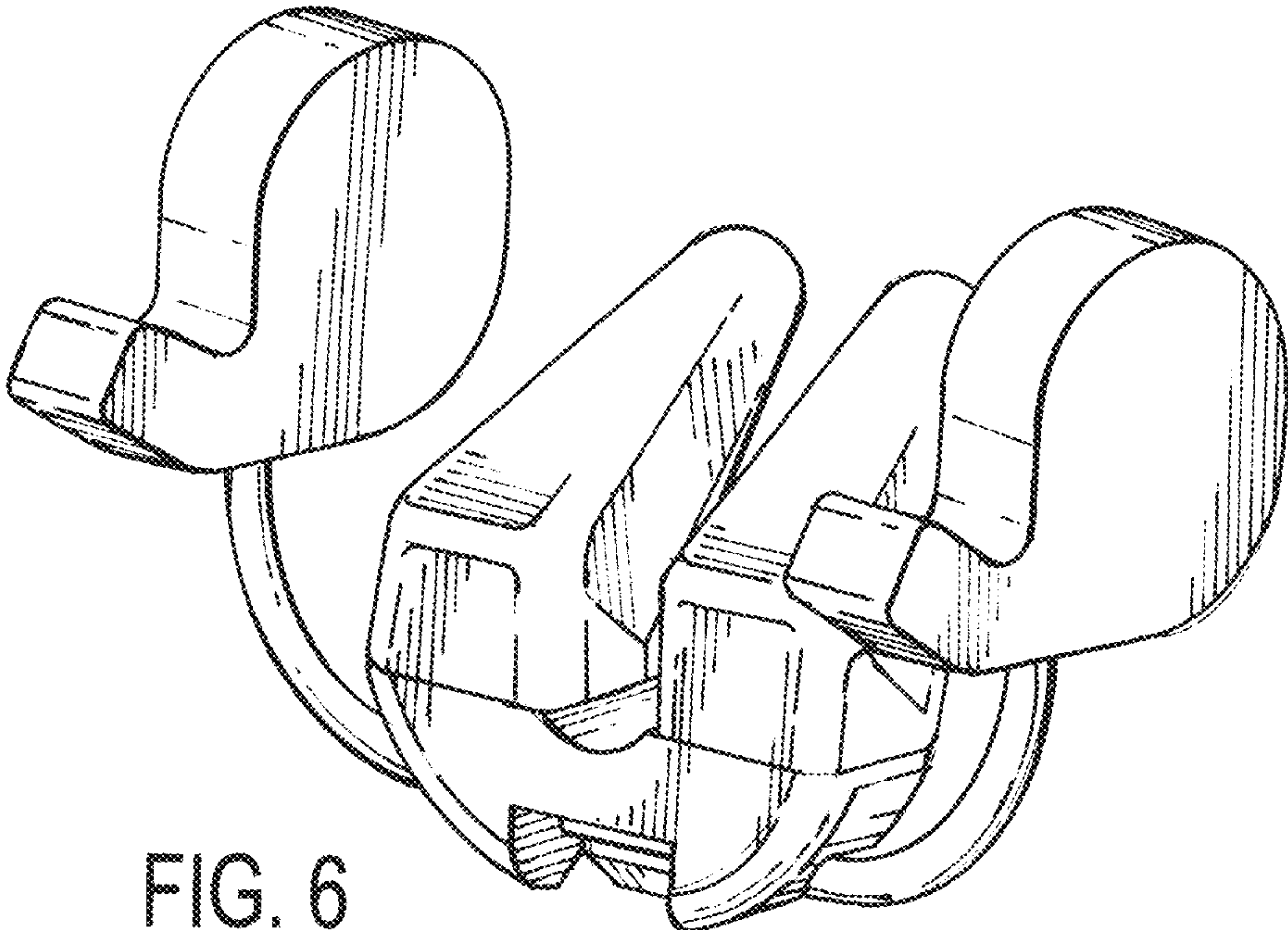


FIG. 6

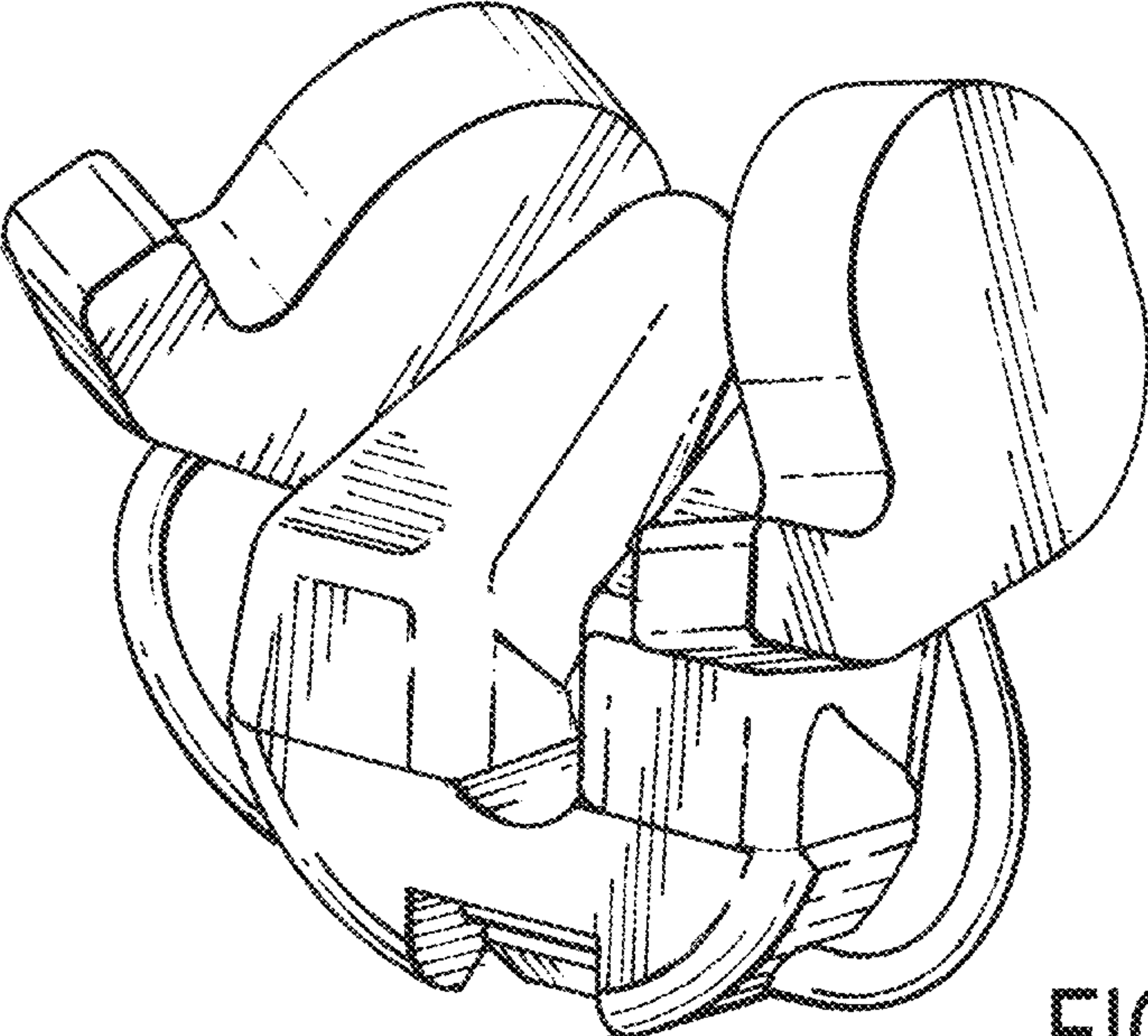


FIG. 7