



US00D865192S

(12) **United States Design Patent**
Nazarian

(10) **Patent No.:** **US D865,192 S**
(45) **Date of Patent:** **** Oct. 29, 2019**

(54) **ADAPTER**

(71) Applicant: **THERAGUN, LLC**, Beverly Hills, CA (US)

(72) Inventor: **Benjamin Nazarian**, Beverly Hills, CA (US)

(73) Assignee: **THERAGUN, LLC**, Santa Monica, CA (US)

(**) Term: **15 Years**

(21) Appl. No.: **29/655,472**

(22) Filed: **Jul. 3, 2018**

(51) **LOC (12) Cl.** **28-03**

(52) **U.S. Cl.**
USPC **D24/200**

(58) **Field of Classification Search**
USPC D24/200, 211–215
CPC A61H 1/008; A61H 15/00; A61H 15/0085;
A61H 99/00; A61H 2201/1685; F16D
1/087

See application file for complete search history.

(56) **References Cited**

U.S. PATENT DOCUMENTS

D162,337 S *	3/1951	O’Gatty	D24/200
6,537,236 B2 *	3/2003	Tucek	A61H 1/008 601/101
6,602,211 B2 *	8/2003	Tucek	A61H 1/008 601/101
7,144,417 B2 *	12/2006	Colloca	A61H 1/008 606/239
7,169,169 B2 *	1/2007	Tucek	A61H 1/008 601/108
7,503,923 B2 *	3/2009	Miller	A61H 1/008 173/114
D613,416 S *	4/2010	Schupman	D24/200

(Continued)

Primary Examiner — Wan Laymon

(74) *Attorney, Agent, or Firm* — Jeffer Mangels; Butler & Mitchell LLP; Brennan C. Swain, Esq.

(57) **CLAIM**

The ornamental design for an adapter, as shown and described.

DESCRIPTION

FIG. 1 is a bottom perspective view of an adapter of the present invention;

FIG. 2 is a top perspective view of the present invention;

FIG. 3 is a front elevational view of the present invention shown in FIG. 1, the rear elevational view being a mirror image thereof;

FIG. 4 is a right side elevational view of the present invention shown in FIG. 1, the left side elevational view being a mirror image thereof;

FIG. 5 is a top plan view of the present invention shown in FIG. 1;

FIG. 6 is a bottom plan view of the present invention shown in FIG. 1;

FIG. 7 is a bottom perspective view of the present invention;

FIG. 8 is a top perspective view of the present invention;

FIG. 9 is a front elevational view of the present invention shown in FIG. 7, the rear elevational view being a mirror image thereof;

FIG. 10 is a right side elevational view of the present invention shown in FIG. 7, the left side elevational view being a mirror image thereof;

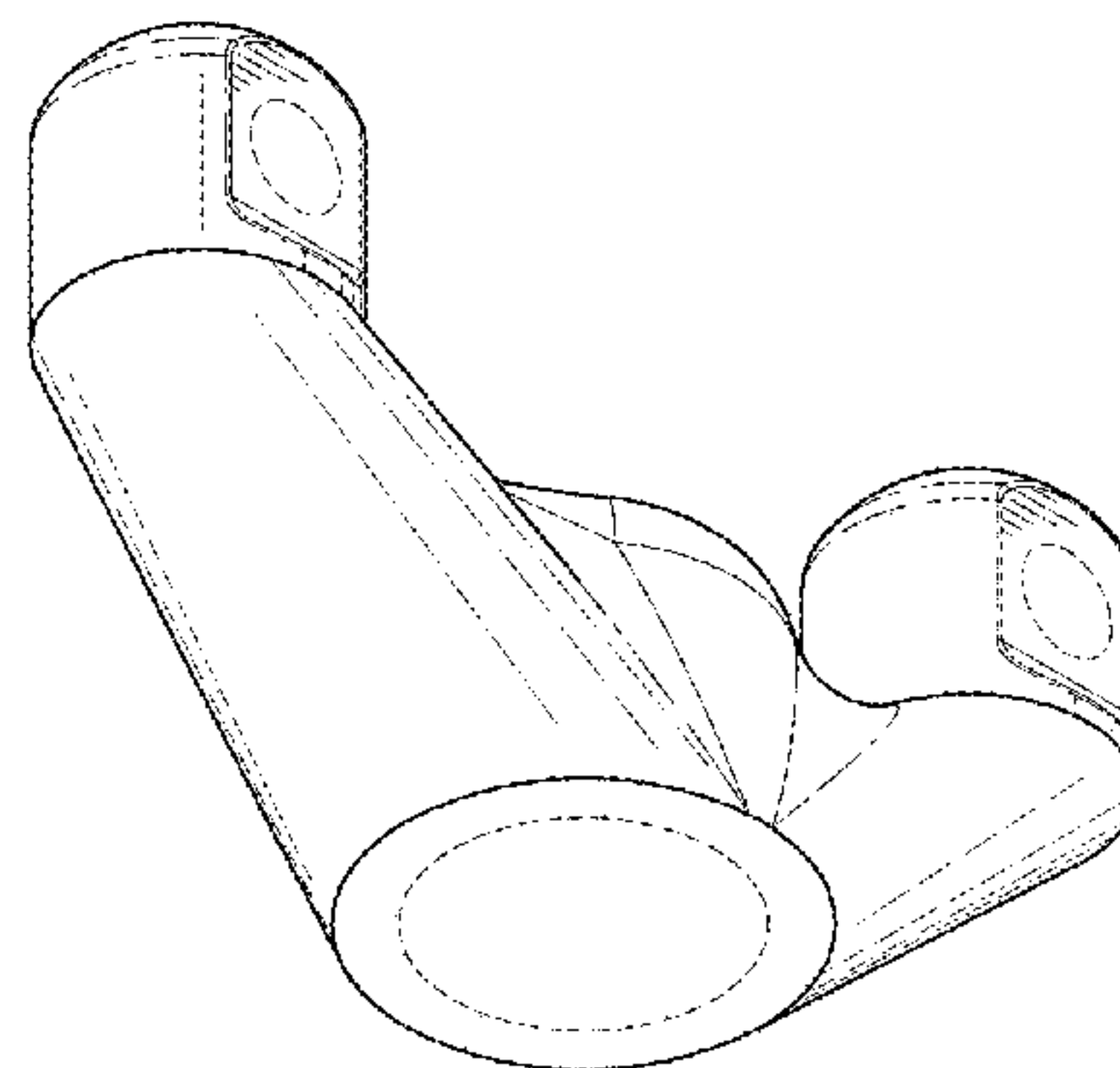
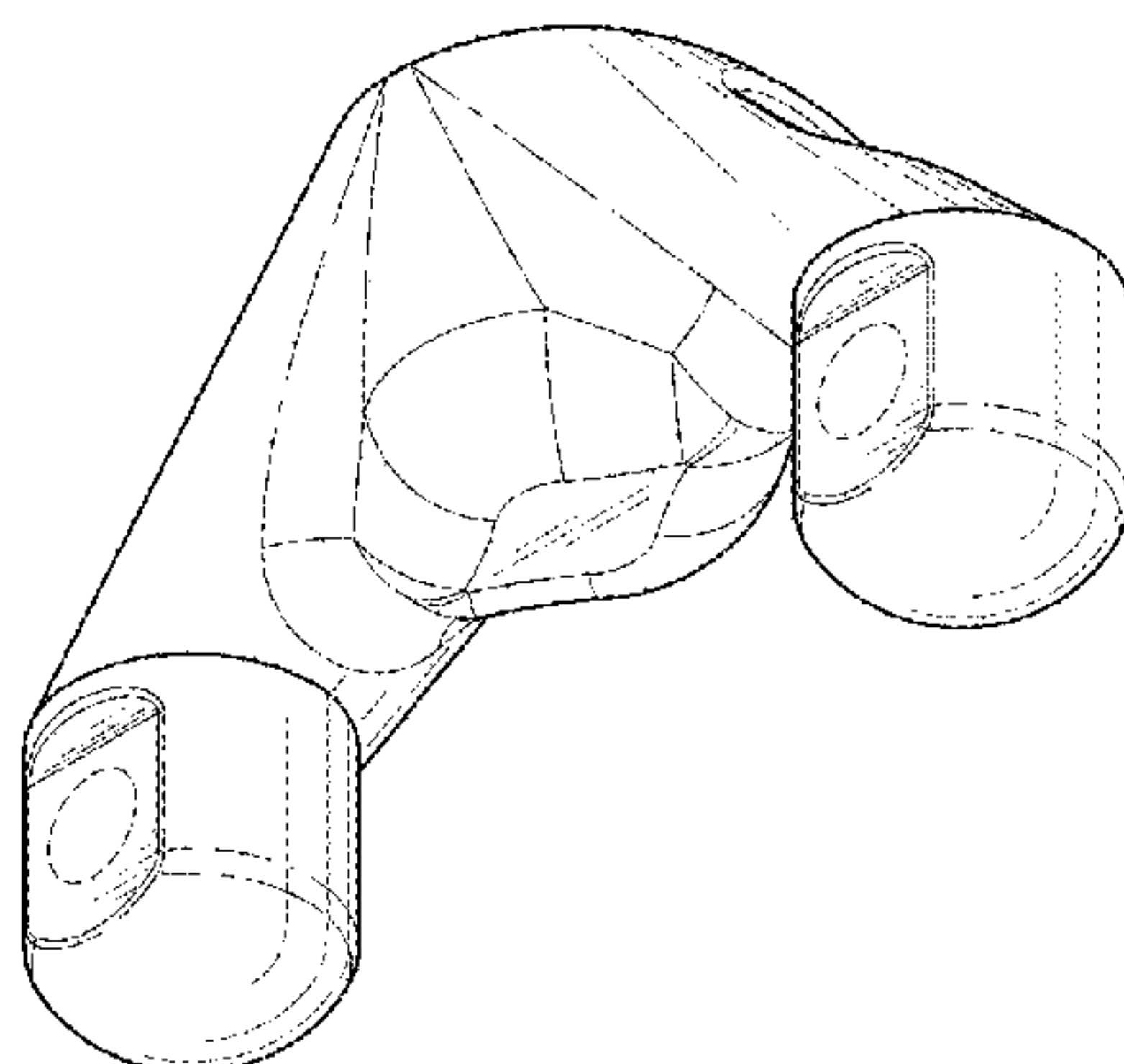
FIG. 11 is a top plan view of the present invention shown in FIGS. 7; and,

FIG. 12 is a bottom plan view of the present invention shown in FIG. 7.

The shading shown in the drawings is for illustrative purposes only and forms no part of the claimed design.

The broken lines shown in the drawings are included for the purpose of illustrating portions of the adapter and form no part of the claimed design.

1 Claim, 8 Drawing Sheets



(56)

References Cited

U.S. PATENT DOCUMENTS

D627,898 S * 11/2010 Aulwes D24/214
2019/0015294 A1 * 1/2019 Nazarian A61H 15/0085

* cited by examiner

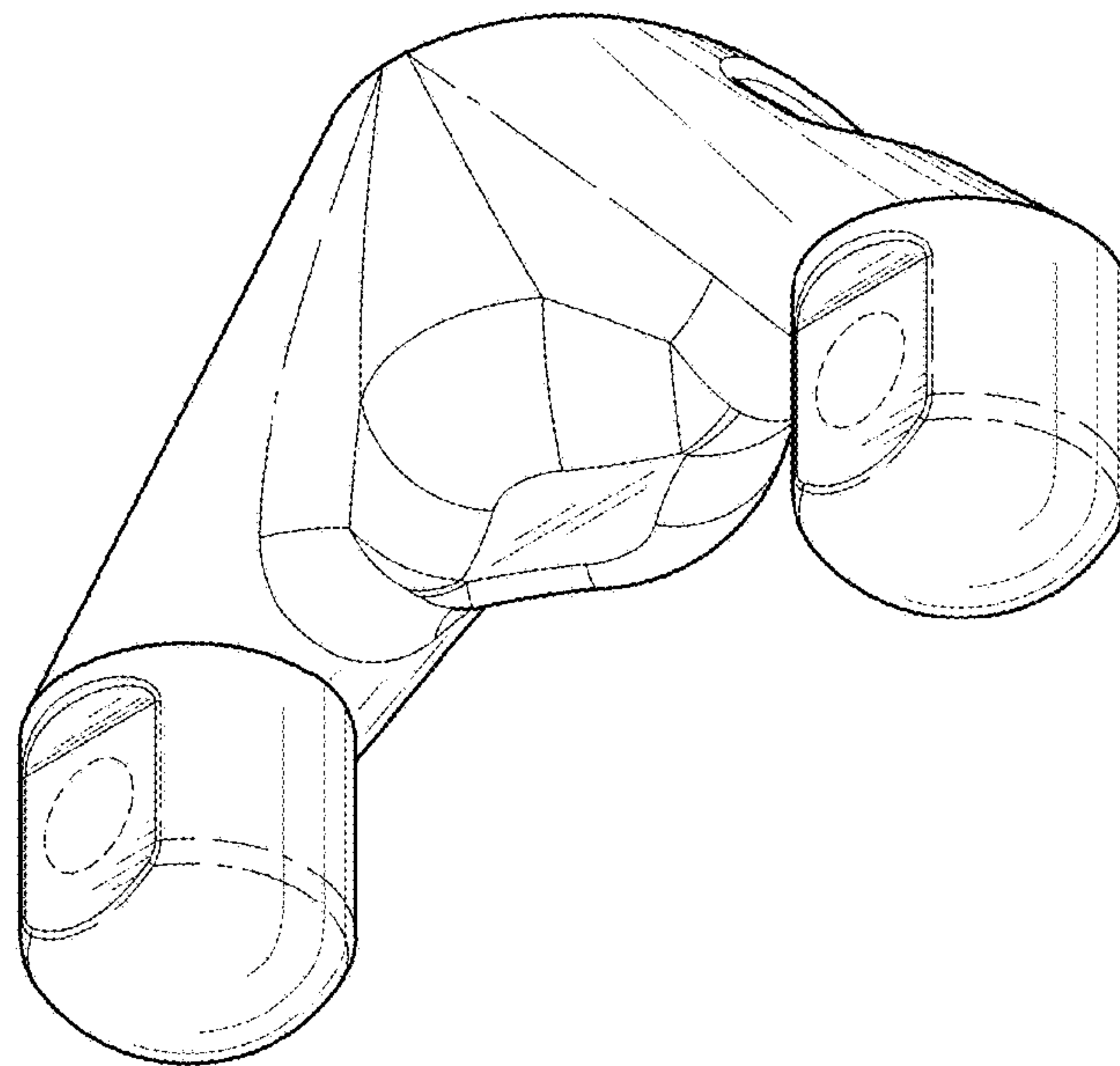


FIG. 1

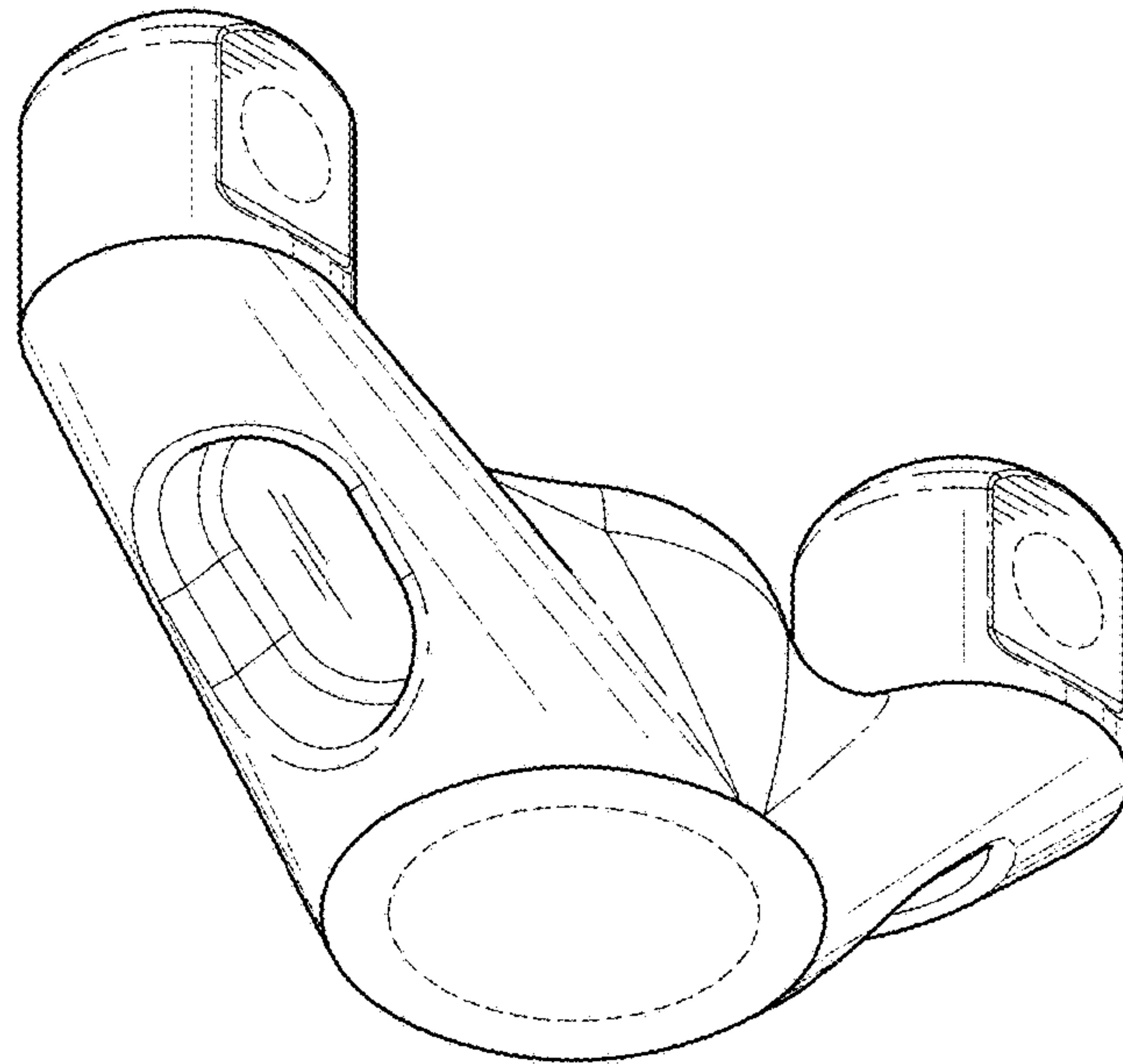


FIG. 2

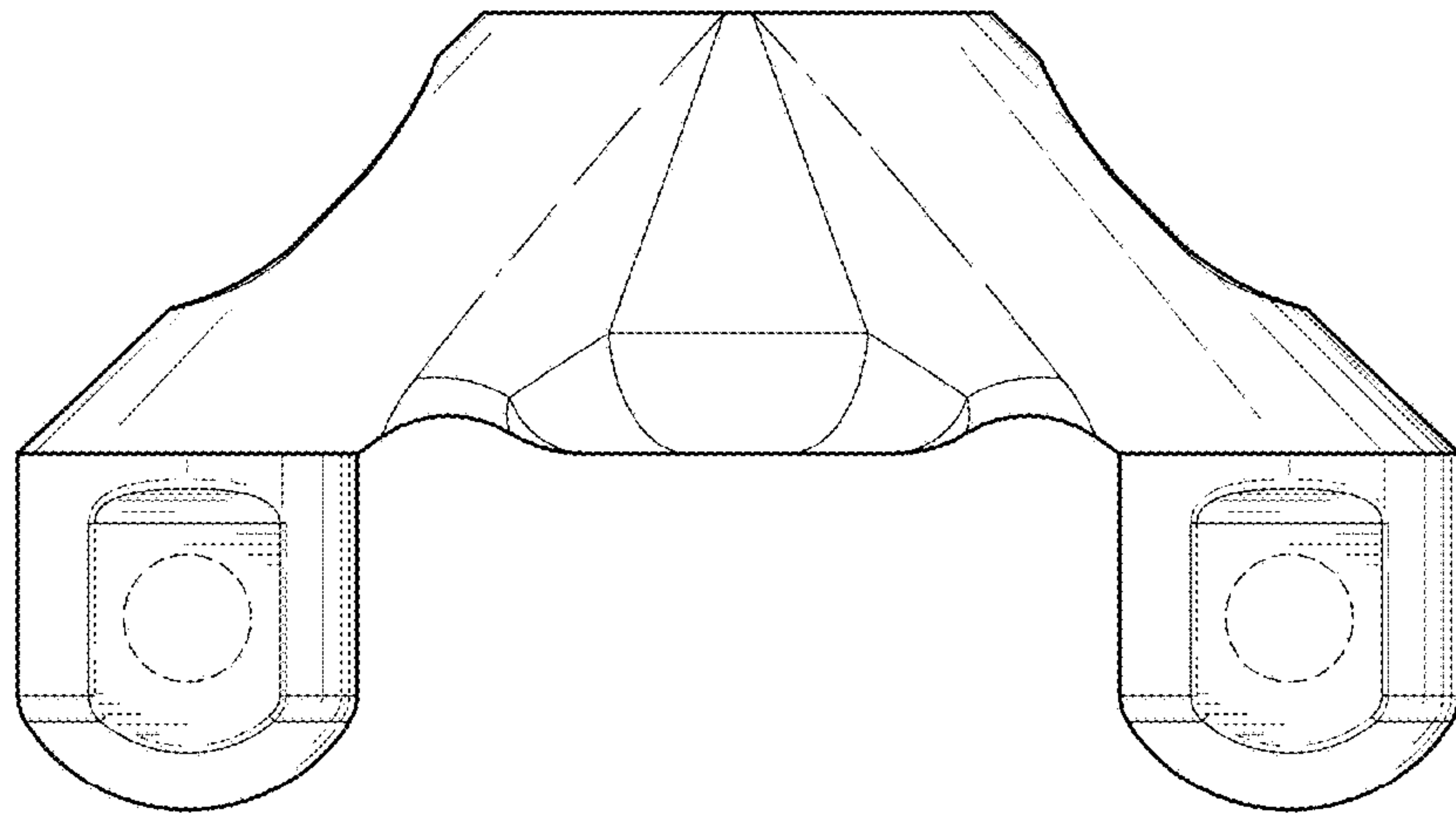


FIG. 3

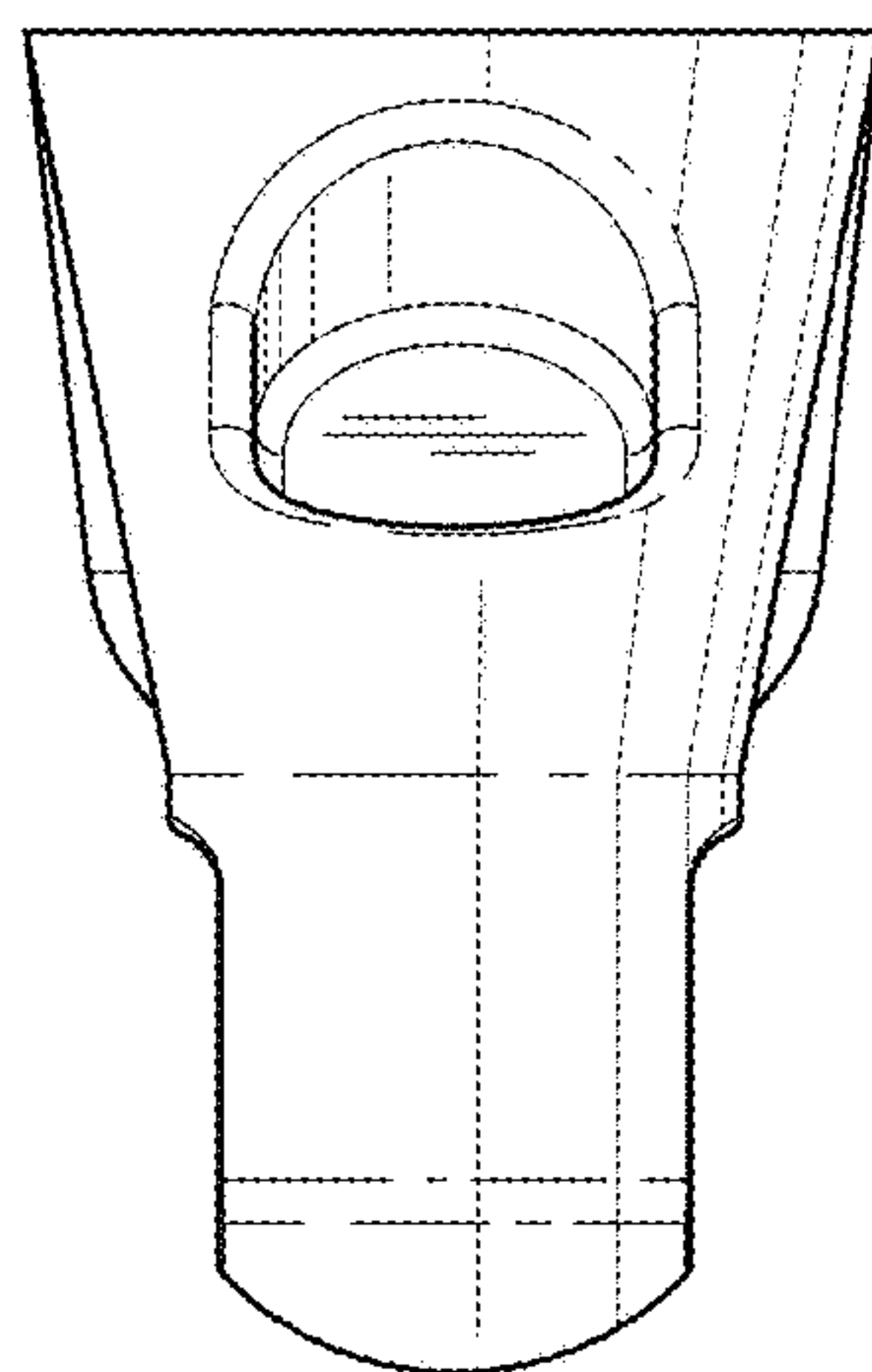


FIG. 4

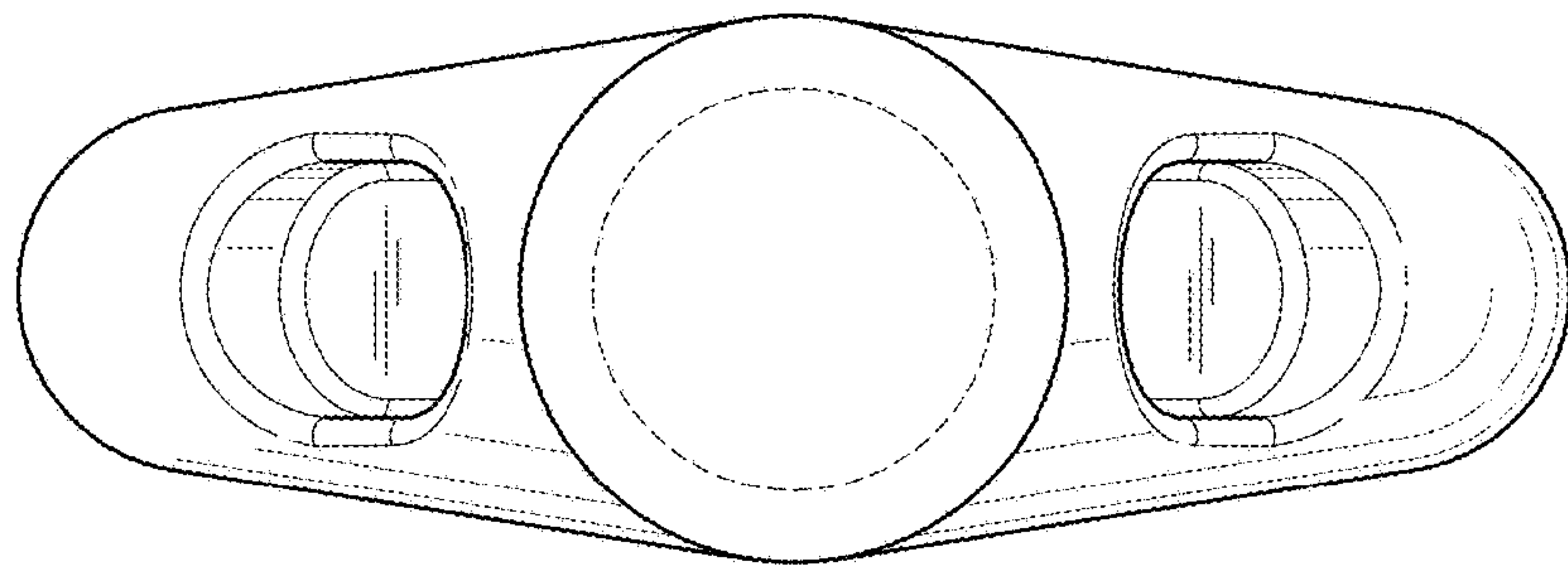


FIG. 5

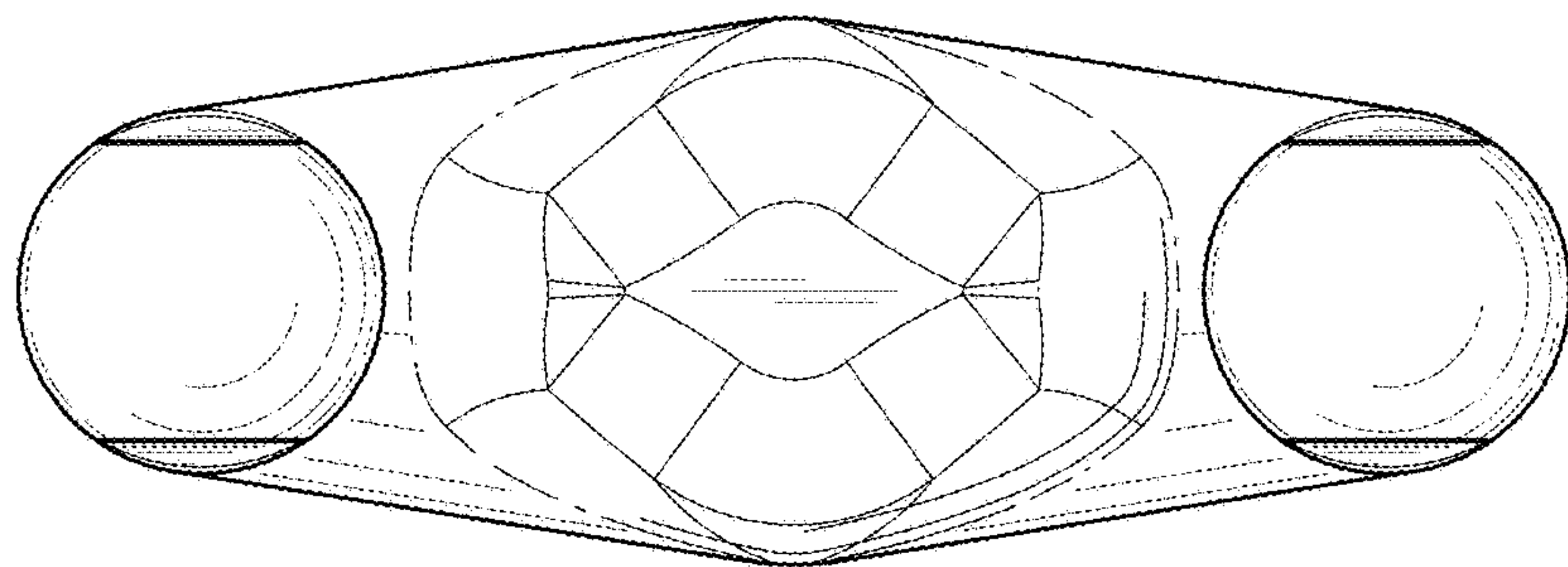


FIG. 6

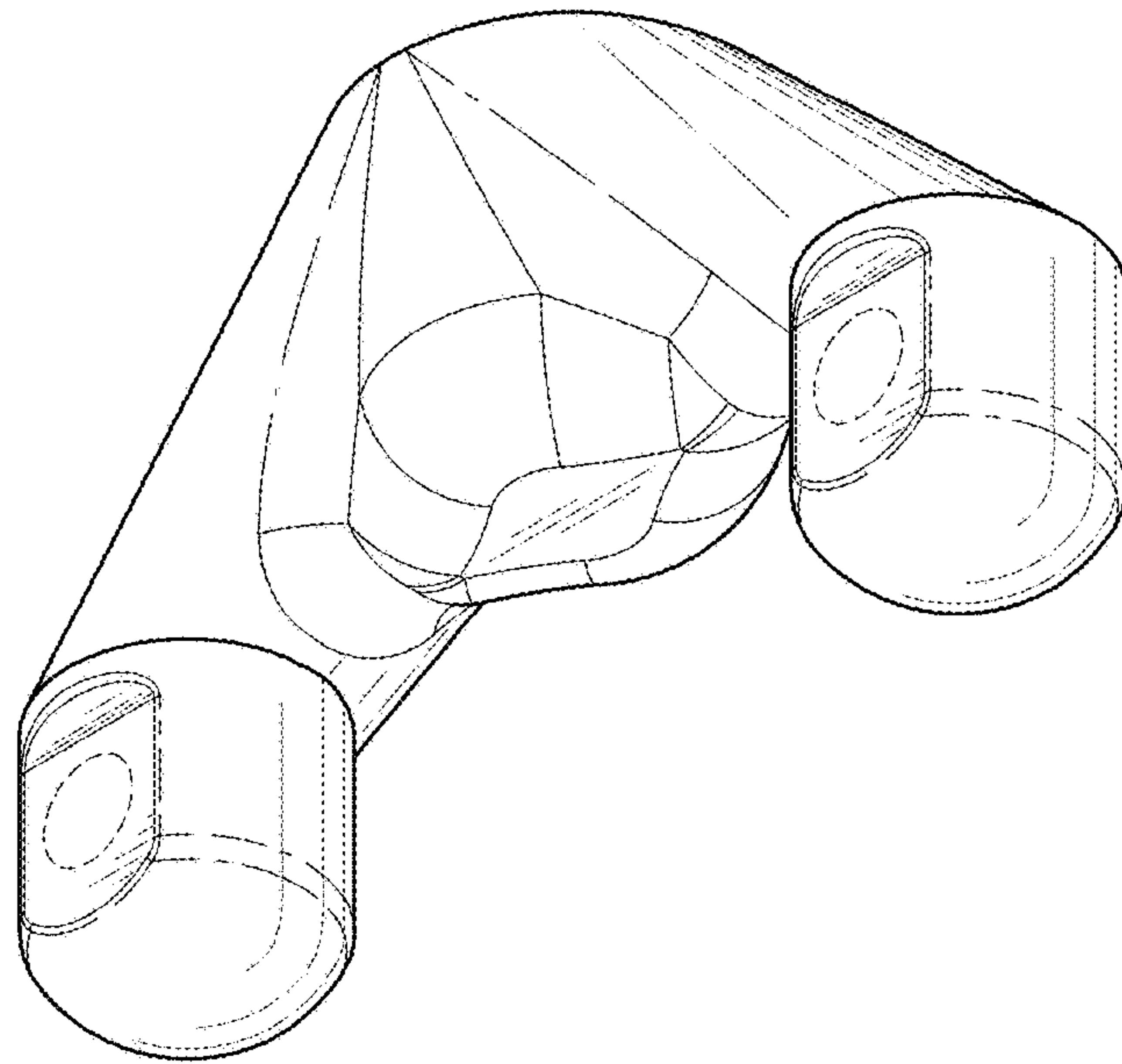


FIG. 7

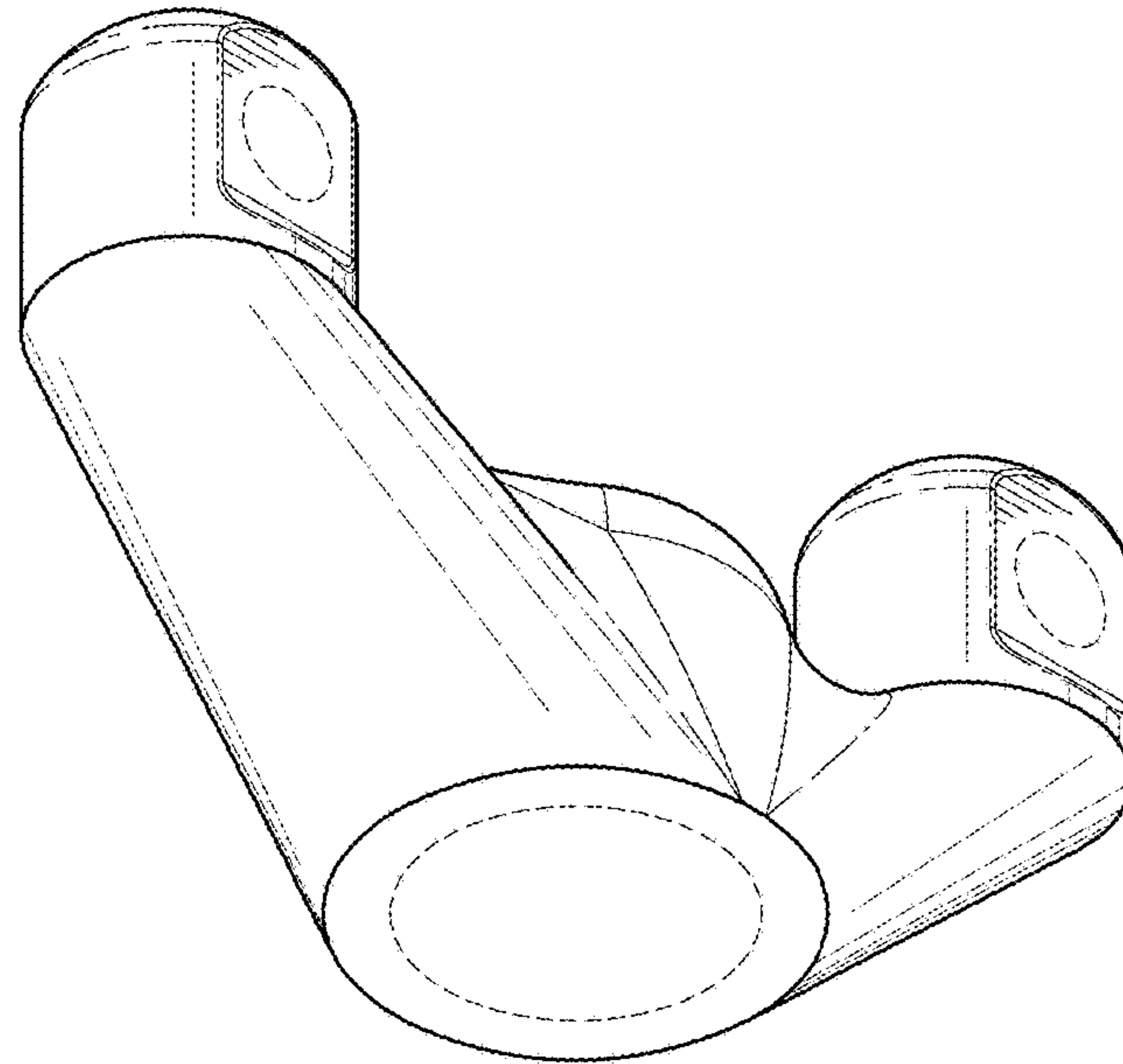


FIG. 8

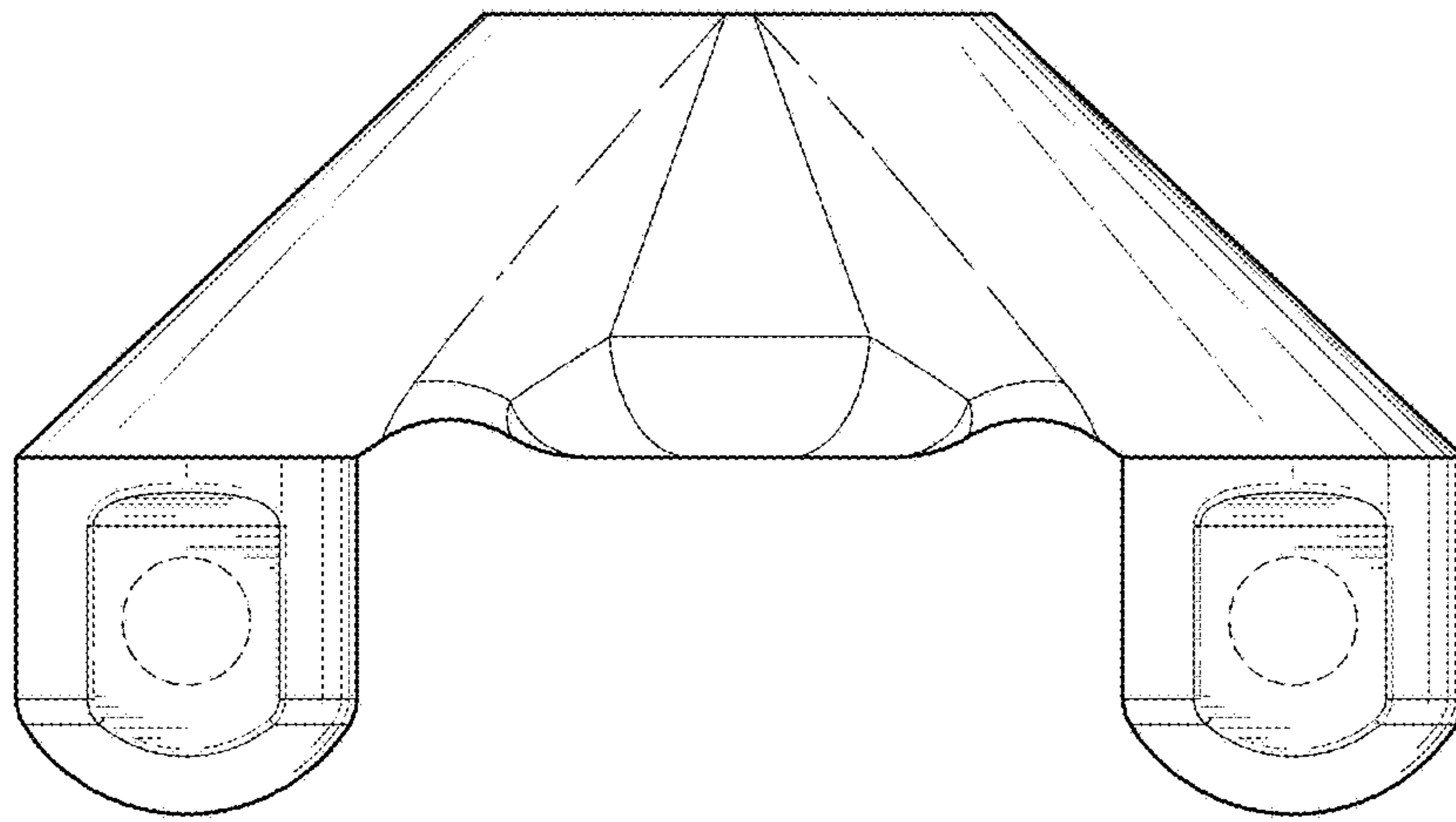


FIG. 9

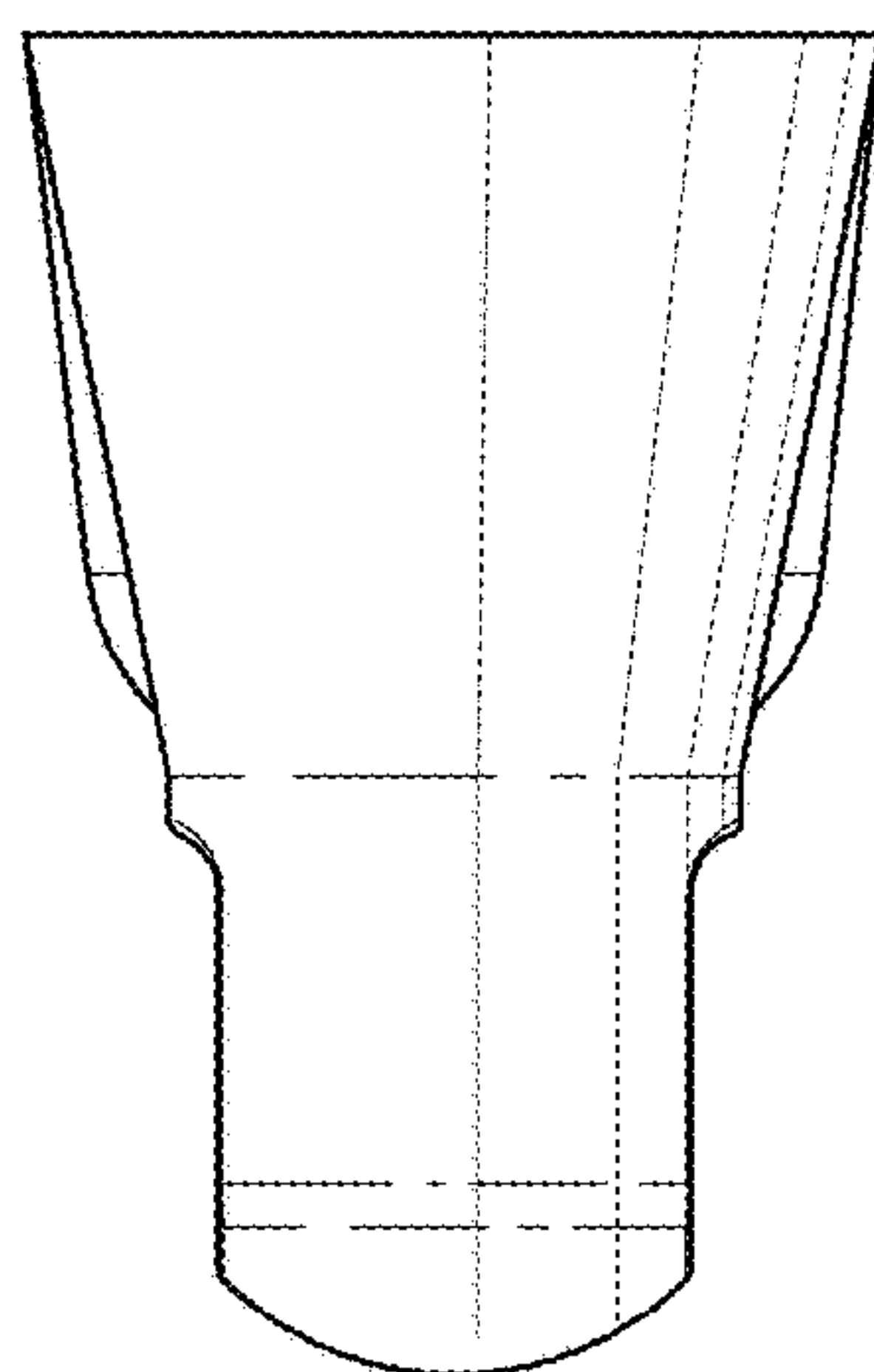


FIG. 10

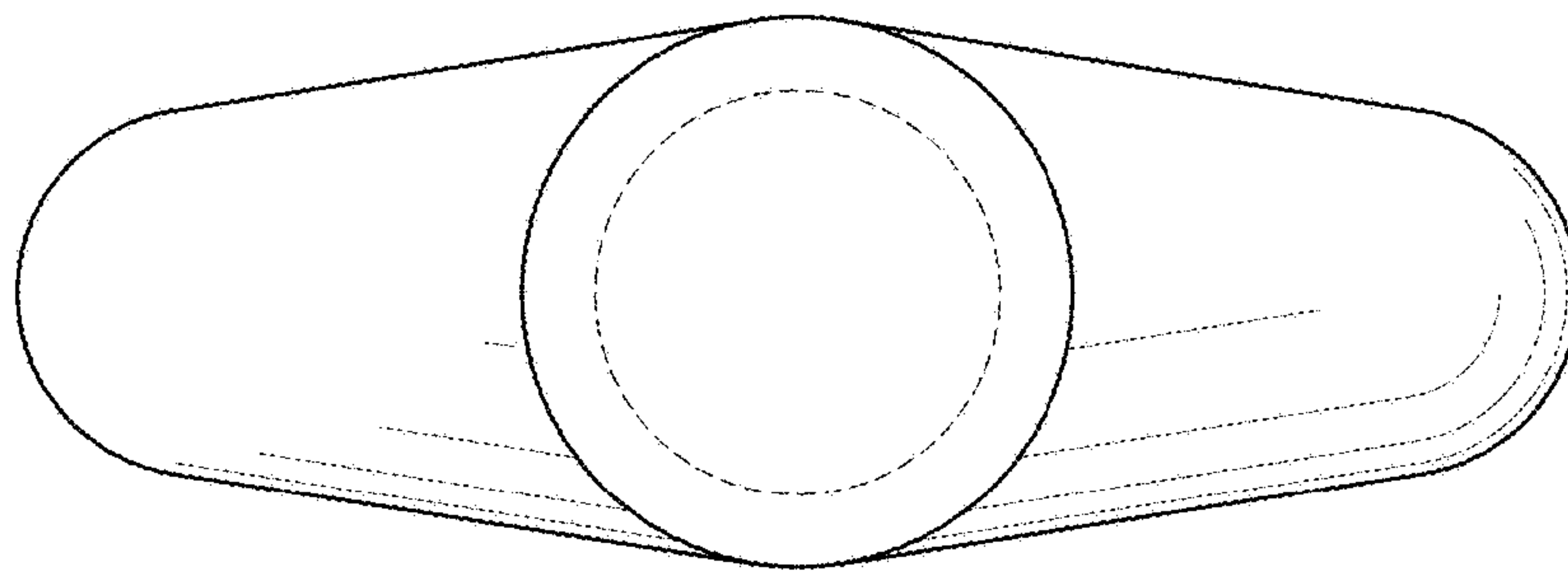


FIG. 11

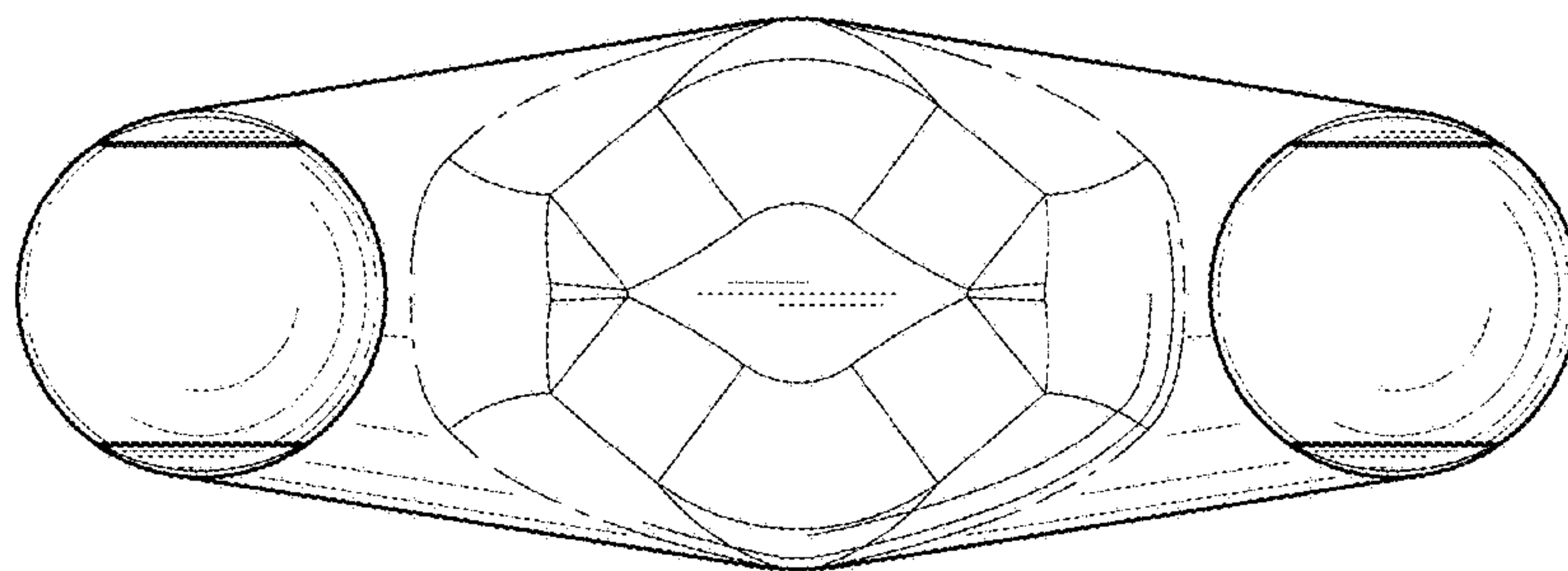


FIG. 12