

US00D865191S

(12) **United States Design Patent** (10) **Patent No.:** **US D865,191 S**
Brown et al. (45) **Date of Patent:** **** Oct. 29, 2019**

(54) **VENTED NURSING BOTTLE NIPPLE**

2,744,646 A 5/1956 Blackstone
2,979,078 A * 4/1961 Witz A61J 11/002
137/533.29

(71) Applicants: **Craig E Brown**, Chesterfield, MO
(US); **Robert J. Brown**, Chesterfield,
MO (US)

3,059,797 A 10/1962 Wilkinson et al.
(Continued)

(72) Inventors: **Craig E Brown**, Chesterfield, MO
(US); **Robert J. Brown**, Chesterfield,
MO (US)

FOREIGN PATENT DOCUMENTS

DE 19601198 7/1997
GB 273185 6/1927

(Continued)

(**) Term: **15 Years**

(21) Appl. No.: **29/620,173**

OTHER PUBLICATIONS

(22) Filed: **Aug. 3, 2016**

“ZoLi Anti Colic Replacement Nipple”. Found online May 23, 2018
at amazon.co.uk. Page dated Jun. 27, 2014. Retrieved from https://www.amazon.co.uk/ZoLi-Colic-Replacement-Nipple-Stage/dp/B002F3NRO6/ref=sr_1_7_m?s=baby&srs=1667870031&ie=UTF8&qid=1527111563&sr=1-7&th=1.*

(51) **LOC (12) Cl.** **24-04**

(52) **U.S. Cl.**
USPC **D24/196**

(58) **Field of Classification Search**
USPC D24/193, 194, 195, 196, 197, 198, 199;
215/11.1, 11.2, 11.3, 11.4, 11.5, 11.6;
606/236
CPC A61J 11/00; A61J 11/0035; A61J 11/001;
A61J 11/002
See application file for complete search history.

(Continued)

Primary Examiner — Kendra Leslie Hamilton

(74) *Attorney, Agent, or Firm* — Paul M Denk

(56) **References Cited**

(57) **CLAIM**

The ornamental design for a vented nursing bottle nipple, as
shown and described.

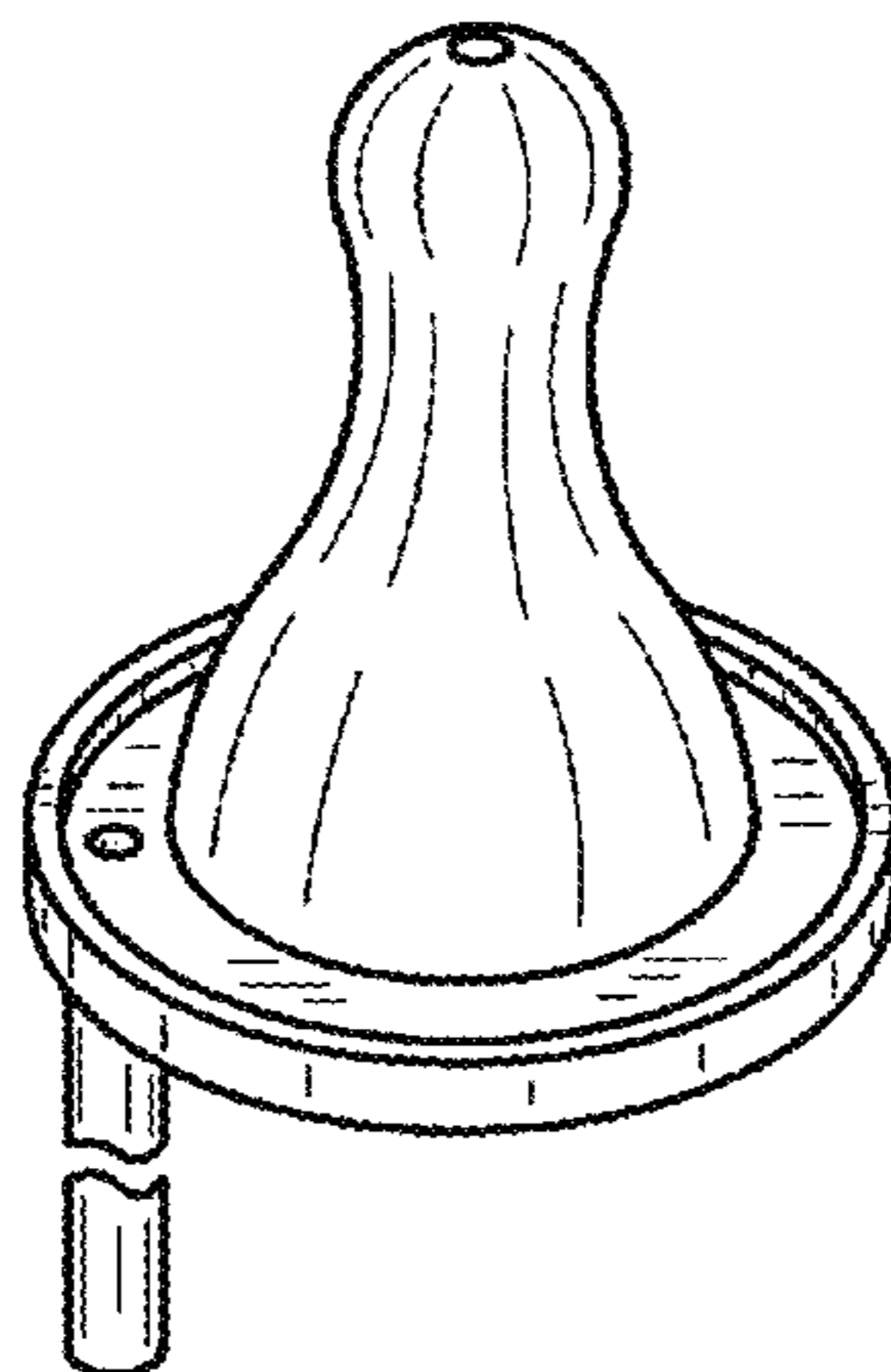
U.S. PATENT DOCUMENTS

DESCRIPTION

- 189,691 A 4/1877 Briere
- 345,518 A 7/1886 Lelievre
- 598,231 A 2/1898 Roderick
- 679,144 A 7/1901 Hardesty
- 834,014 A 10/1906 Lyke
- 927,013 A 7/1909 Van Cleave
- 979,607 A 12/1910 Van Cleave
- 1,441,623 A 1/1923 Davenport
- 1,600,804 A 9/1926 Donaldson
- 2,061,477 A 11/1936 Perry
- 2,156,313 A 5/1939 Schwab
- 2,239,275 A 4/1941 Schwab
- 2,483,979 A 10/1949 Morrill
- 2,610,755 A 9/1952 Gits
- 2,742,168 A 4/1956 Panetti

FIG. 1 is a top perspective view of a vented nursing bottle
nipple, showing our new design;
FIG. 2 is a front elevation view thereof;
FIG. 3 is a back elevation view thereof;
FIG. 4 is a side elevation view, the opposite side view being
a mirror image thereof;
FIG. 5 is a top plan view thereof; and,
FIG. 6 is a bottom plan view thereof.
The broken lines in FIG. 6 depict portions of the vented
nursing bottle nipple that form no part of the claimed design.

1 Claim, 1 Drawing Sheet



(56)

References Cited

U.S. PATENT DOCUMENTS

3,092,276 A * 6/1963 Schaar A61J 11/02
215/11.1

3,168,221 A 2/1965 Parker

3,254,809 A 8/1966 Breneman

4,120,414 A 10/1978 Harrison et al.

4,182,460 A 1/1980 Holk, Jr. et al.

4,919,983 A 4/1990 Fremin

5,054,660 A 10/1991 Sherman et al.

5,269,444 A 12/1993 Wright

5,284,262 A 2/1994 O’Nan

5,449,098 A 9/1995 Offiman

5,570,796 A 11/1996 Brown et al.

5,573,507 A 11/1996 Moser et al.

5,678,710 A 10/1997 Sheu

5,779,071 A 7/1998 Brown et al.

5,881,893 A * 3/1999 Manganiello A61J 11/02
215/11.1

D410,548 S * 6/1999 Chomik D24/197

6,126,679 A * 10/2000 Botts A61J 7/0046
215/11.1

D444,239 S * 6/2001 Kobayashi D24/196

D459,815 S * 7/2002 Pastucha D24/196

D486,579 S * 2/2004 Dunn D24/196

7,150,370 B2 12/2006 Pyun

7,172,086 B2 2/2007 McKendry et al.

7,204,380 B2 4/2007 Webb et al.

7,537,128 B2 5/2009 Nachumi

7,798,347 B2 9/2010 Rees

7,828,165 B2 11/2010 Brown et al.

D630,334 S * 1/2011 Paige D24/194

D641,888 S * 7/2011 Jenkins D24/197

8,113,365 B2 2/2012 Brown et al.

8,579,130 B2 11/2013 Brown et al.

D702,360 S * 4/2014 Shenker D24/197

8,757,406 B2 6/2014 Brown et al.

D725,787 S * 3/2015 Brown D24/194

2004/0089626 A1 5/2004 Pyun

2005/0184022 A1 8/2005 Dunn et al.

2005/0236353 A1 10/2005 Hsu

2005/0252875 A1 * 11/2005 Sheu A61J 11/02
215/11.5

2005/0258124 A1 11/2005 Brown et al.

2006/0243694 A1 11/2006 McKendry et al.

FOREIGN PATENT DOCUMENTS

GB 454053 9/1936

SE 82001470 1/1982

OTHER PUBLICATIONS

“Medela Slow Flow Wide Base Nipple”. Found online May 23, 2018 at amazon.co.uk. Page dated Aug. 10, 2010. Retrieved from https://www.amazon.co.uk/Medela-Slow-Flow-Wide-Nipple/dp/B002SDD7LQ/ref=sr_1_12_a_it?ie=UTF8&qid=1527112180&sr=8-12&keywords=medela+nipple.*

“Pura Kiki Y Cut Wide Neck Natural Vent Silicone Teat”. Found online May 23, 2018 at amazon.co.uk. Page dated Jan. 20, 2016. Retrieved from https://www.amazon.co.uk/Pura-Kiki-Natural-silicone-2-piece/dp/B00AV53ZCO/ref=sr_1_10_a_it?ie=UTF8&qid=1527106472&sr=8-10&keywords=pura.*

“Dr. Brown’s Silicone Nipple”. Found online Aug. 17, 2016 at [diapers.com](https://www.diapers.com). Page dated Nov. 1, 2006. Retrieved from https://www.diapers.com/p/dr-browns-silicone-nipple-level-1-4941.*

* cited by examiner

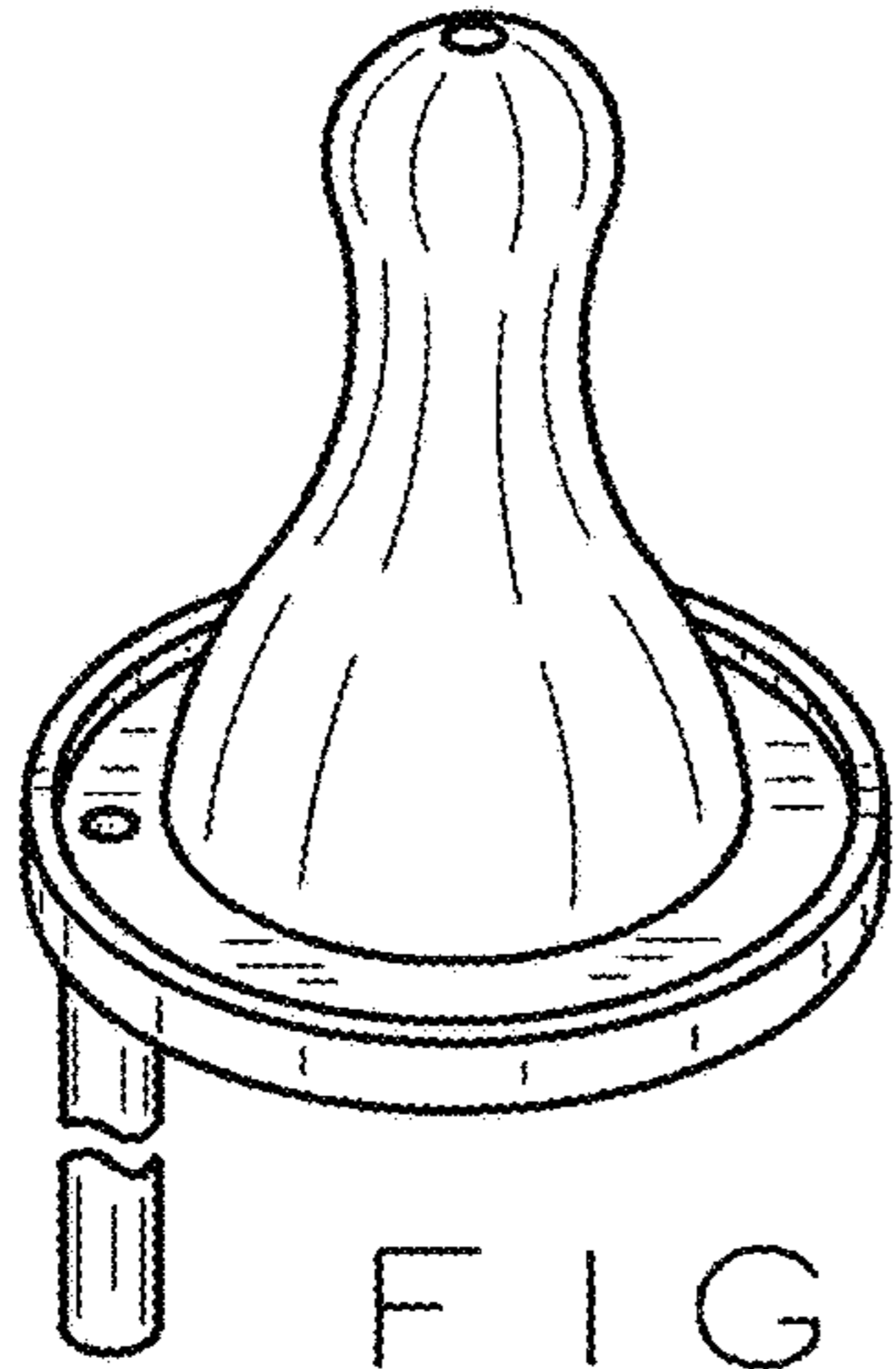


FIG. 1

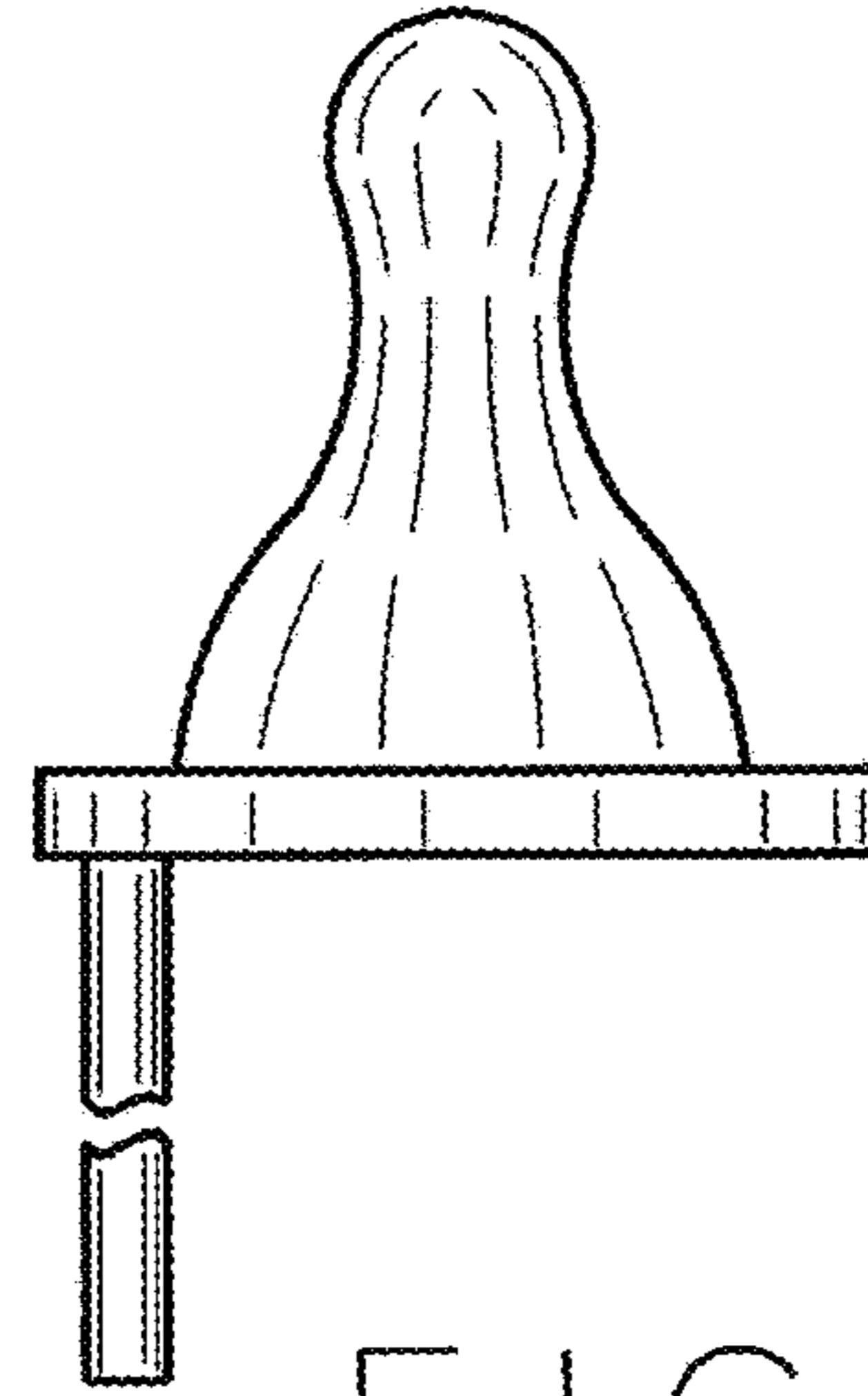


FIG. 2

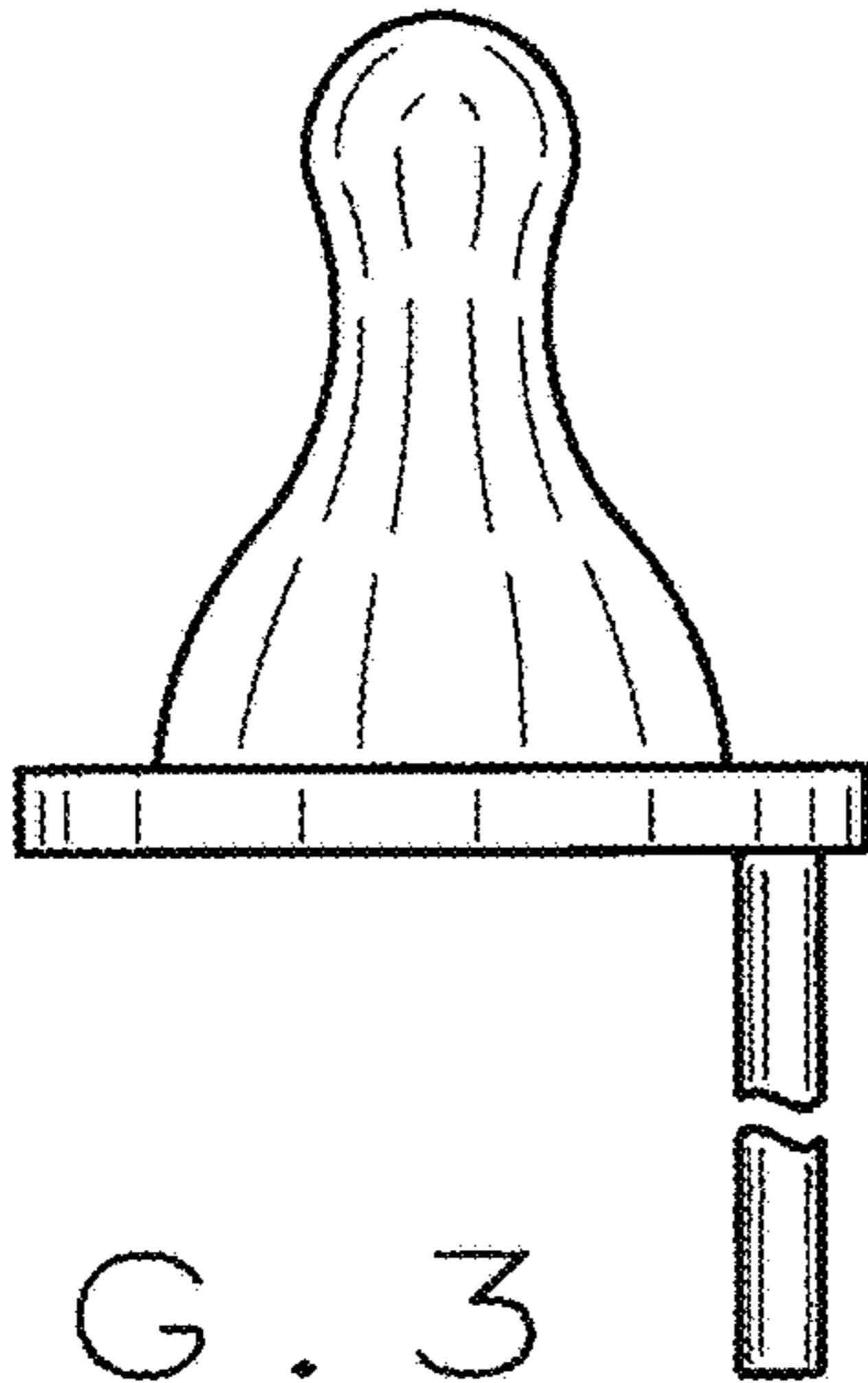


FIG. 3

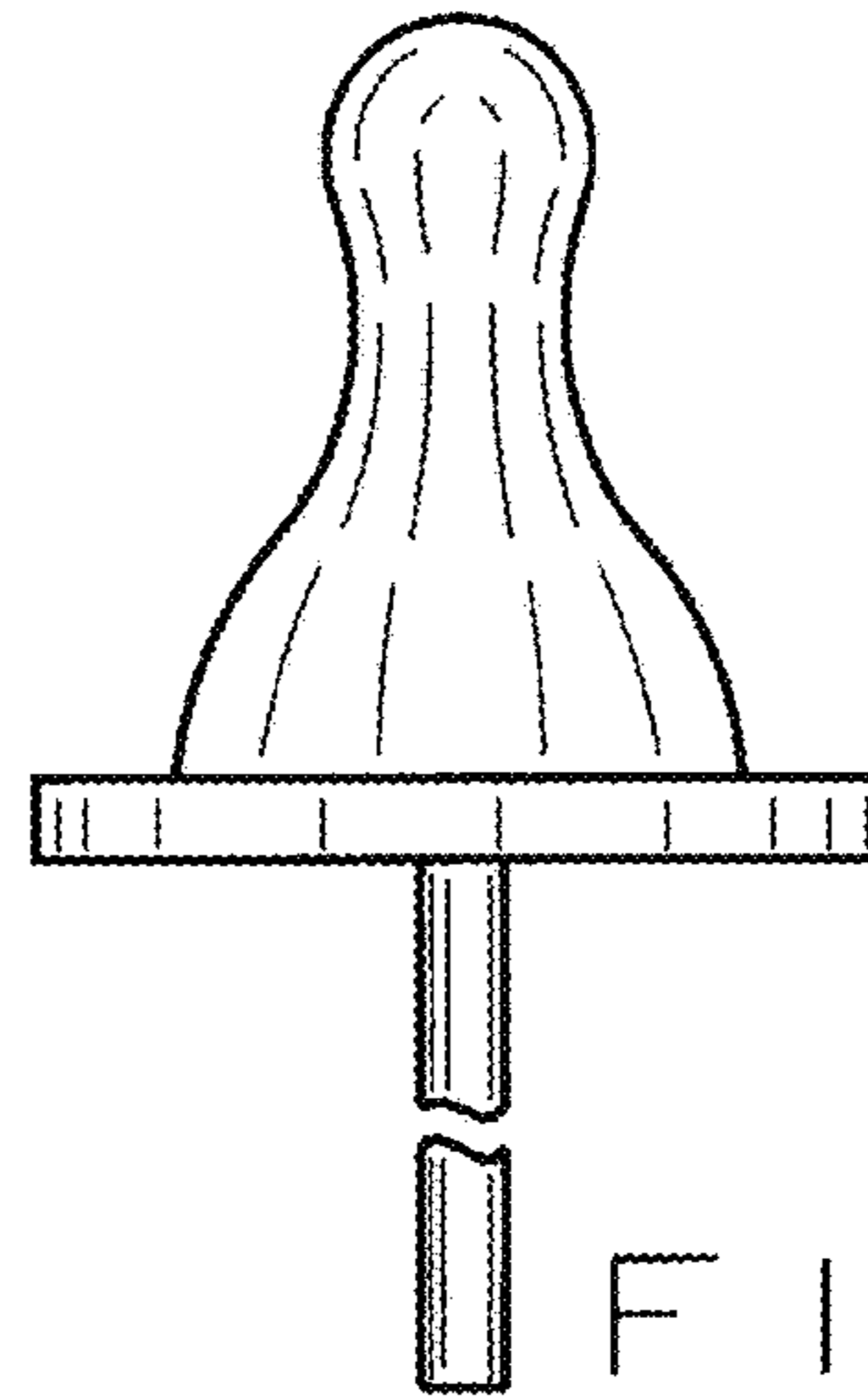


FIG. 4

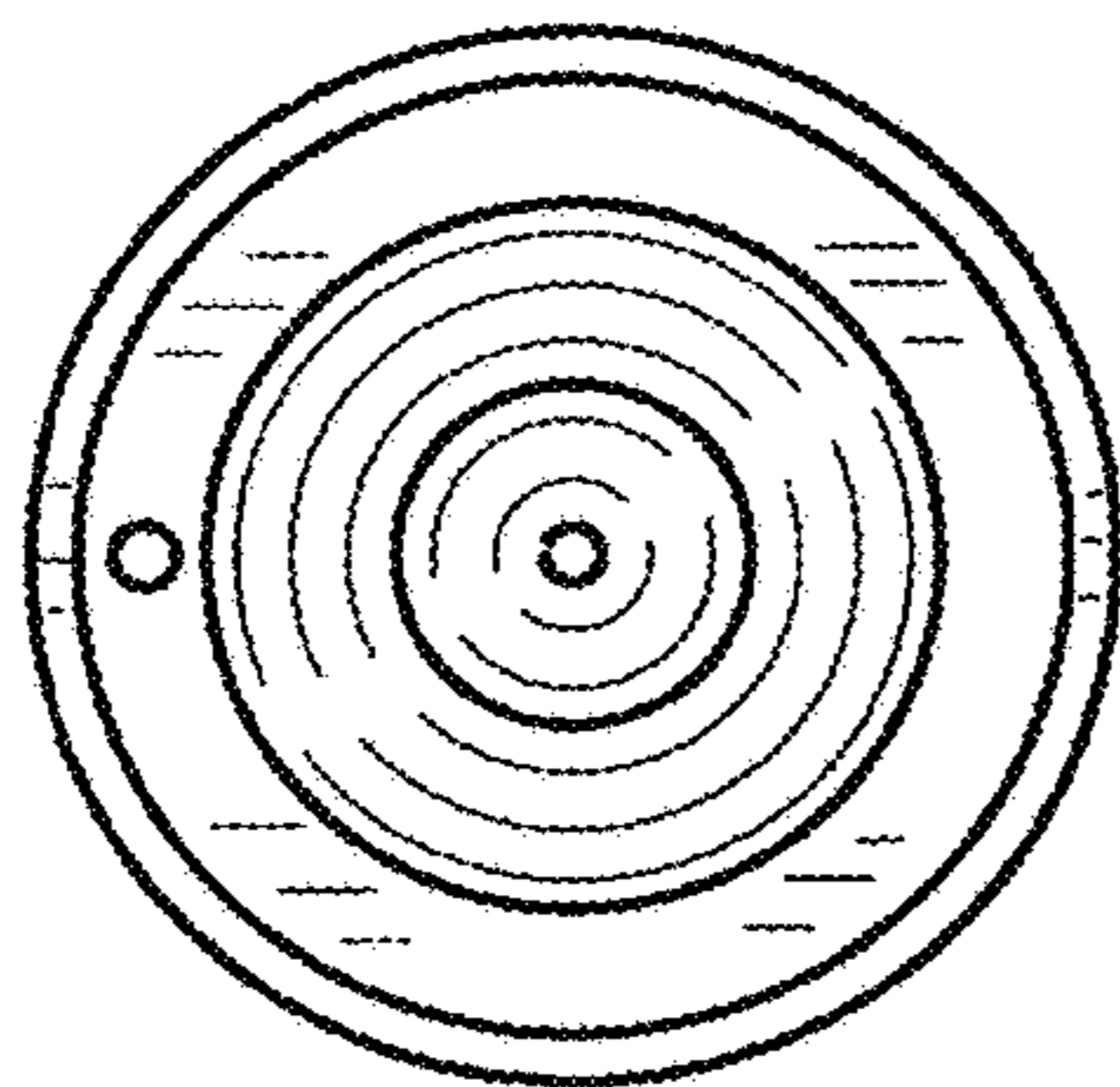


FIG. 5

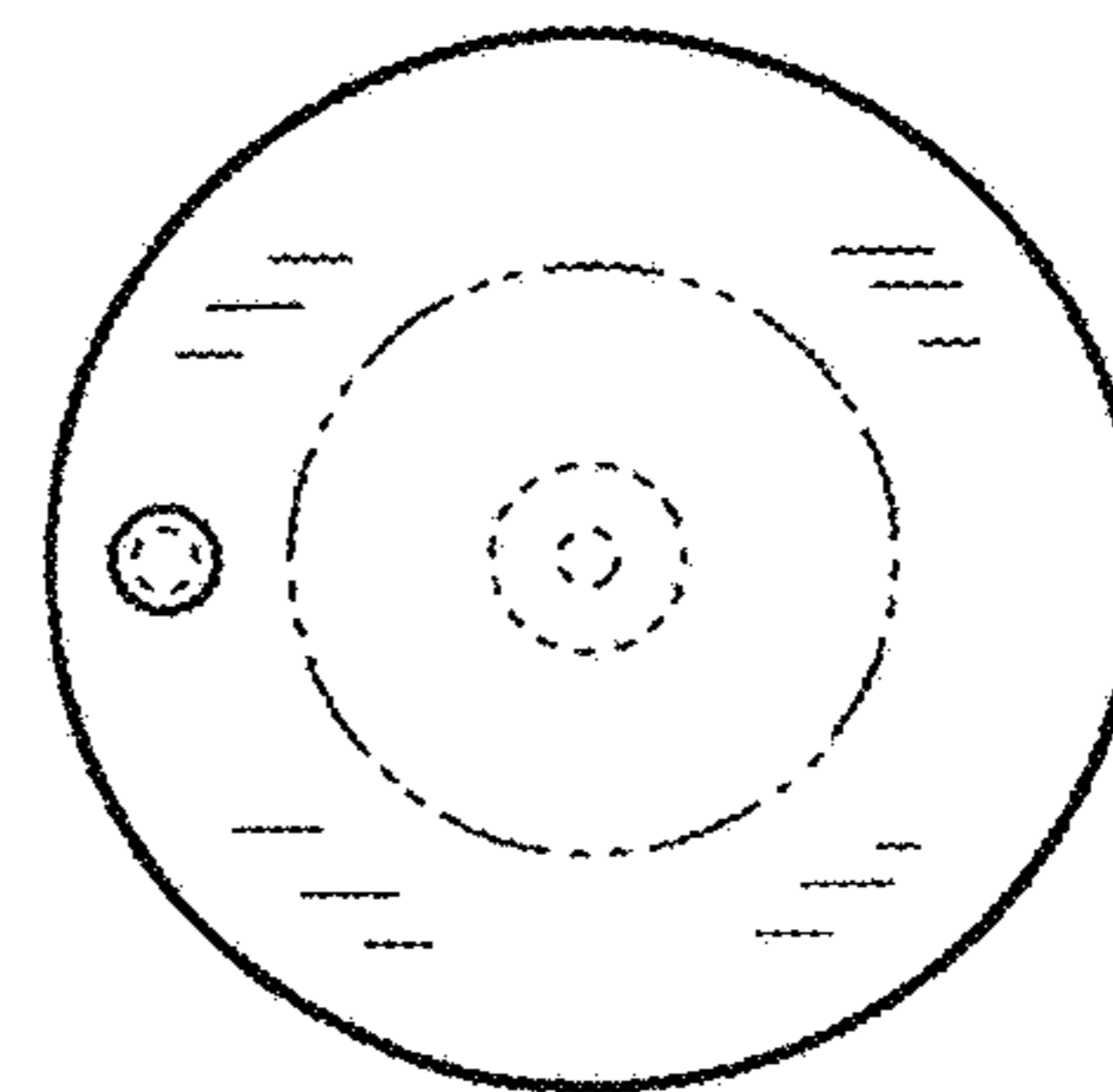


FIG. 6