



US00D865188S

(12) **United States Design Patent** (10) **Patent No.:** **US D865,188 S**
Dorsey (45) **Date of Patent:** **** Oct. 29, 2019**

(54) **NECK TRACTION DEVICE**
(71) Applicant: **Joshua Dorsey**, Dublin, OH (US)
(72) Inventor: **Joshua Dorsey**, Dublin, OH (US)
(**) Term: **15 Years**
(21) Appl. No.: **29/660,230**
(22) Filed: **Aug. 20, 2018**
(51) **LOC (12) Cl.** **24-01**
(52) **U.S. Cl.**
USPC **D24/190**
(58) **Field of Classification Search**
USPC D24/188-192; D8/349, 354
CPC A61H 3/00; A61H 2201/165; A61H
2201/1215; A61H 2201/1642; A61H
3/008; A63B 23/025; A63B 21/4003;
A63B 23/0211; A63B 2225/09; A63B
2023/006; A61B 17/8685; A61B 17/746;
A61B 17/68; A61B 17/744; A61B 34/20;
A61B 17/8625; A61B 17/869
See application file for complete search history.

(56) **References Cited**
U.S. PATENT DOCUMENTS
4,010,744 A * 3/1977 Boyen A61F 5/3715
602/36
4,278,249 A * 7/1981 Forrest A63B 23/025
482/10
5,582,585 A * 12/1996 Nash-Morgan A45D 44/22
428/343
5,807,220 A * 9/1998 Allis A63B 23/0211
482/131
5,868,691 A * 2/1999 Vishnevsky A61F 5/026
128/845
5,871,485 A * 2/1999 Rao A61B 17/746
606/65
D407,474 S * 3/1999 Sage D23/314
6,360,901 B1 * 3/2002 Parham A47F 7/285
211/162

6,799,569 B2 * 10/2004 Danielsson A61B 6/0421
128/97.1
D500,138 S * 12/2004 Urban D24/190
D513,438 S * 1/2006 McNeice D24/188
D523,961 S * 6/2006 Weber D24/190
D647,152 S * 10/2011 Sibley D21/679
D685,484 S * 7/2013 Brambilla D24/190

(Continued)

Primary Examiner — Jennifer L Watkins
(74) *Attorney, Agent, or Firm* — Dunlap Bennett &
Ludwig PLLC

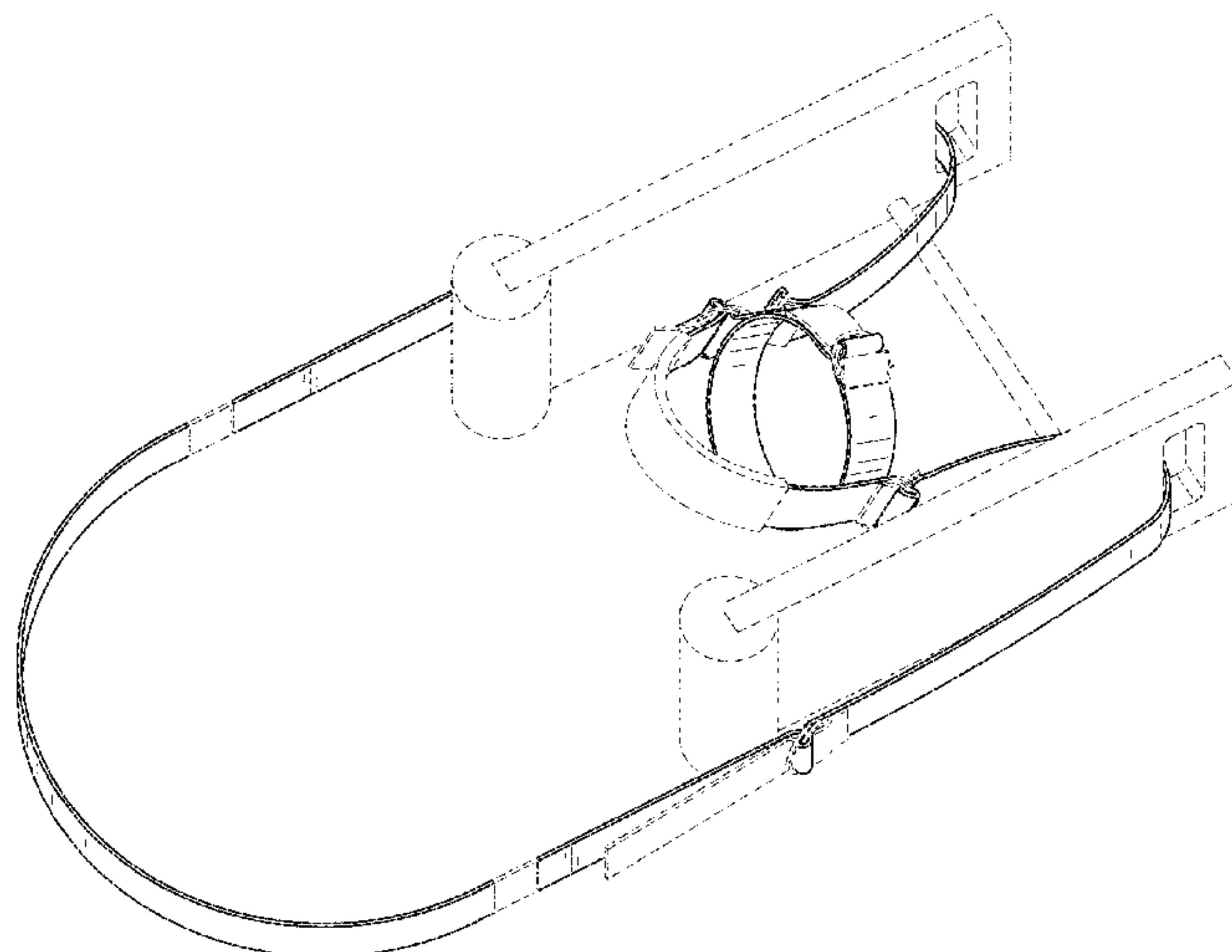
(57) **CLAIM**

The ornamental design for a neck traction device, as shown and described.

DESCRIPTION

FIG. 1 is a front perspective view of a neck traction device, showing my new design;
FIG. 2 is a front elevation view thereof;
FIG. 3 is a rear elevation view thereof;
FIG. 4 is a left elevation view thereof;
FIG. 5 is a left elevation view thereof;
FIG. 6 is a top plan view thereof;
FIG. 7 is a bottom plan view thereof; and,
FIG. 8 is a reduced front perspective view of the neck traction device, show in use.
The evenly-sized broken lines showing a user of the neck traction device in FIG. 8 depicts environmental subject matter that forms no part of the claimed design, while the remaining evenly-sized broken lines shown in the drawings depict portions of the neck traction device that form no part of the claimed design.
The unevenly-sized broken lines consisting of dash-dot-dash lines in the drawings depict the boundary of the claimed invention and it is understood that the claim extends to the boundary that forms no part of the claimed design.

1 Claim, 6 Drawing Sheets



(56)

References Cited

U.S. PATENT DOCUMENTS

8,480,543 B1 * 7/2013 Leier A63B 23/025
482/51
8,840,528 B2 * 9/2014 Zylstra A63B 21/0442
482/10
9,498,675 B2 * 11/2016 Walworth A63B 23/025
10,118,526 B1 * 11/2018 Fan B60N 2/882
D845,492 S * 4/2019 Sudell D24/190
D845,493 S * 4/2019 Sudell D24/190
D845,494 S * 4/2019 Sudell D24/190
10,271,660 B2 * 4/2019 Gunura A47C 9/025
D851,263 S * 6/2019 Thompson D24/190

* cited by examiner

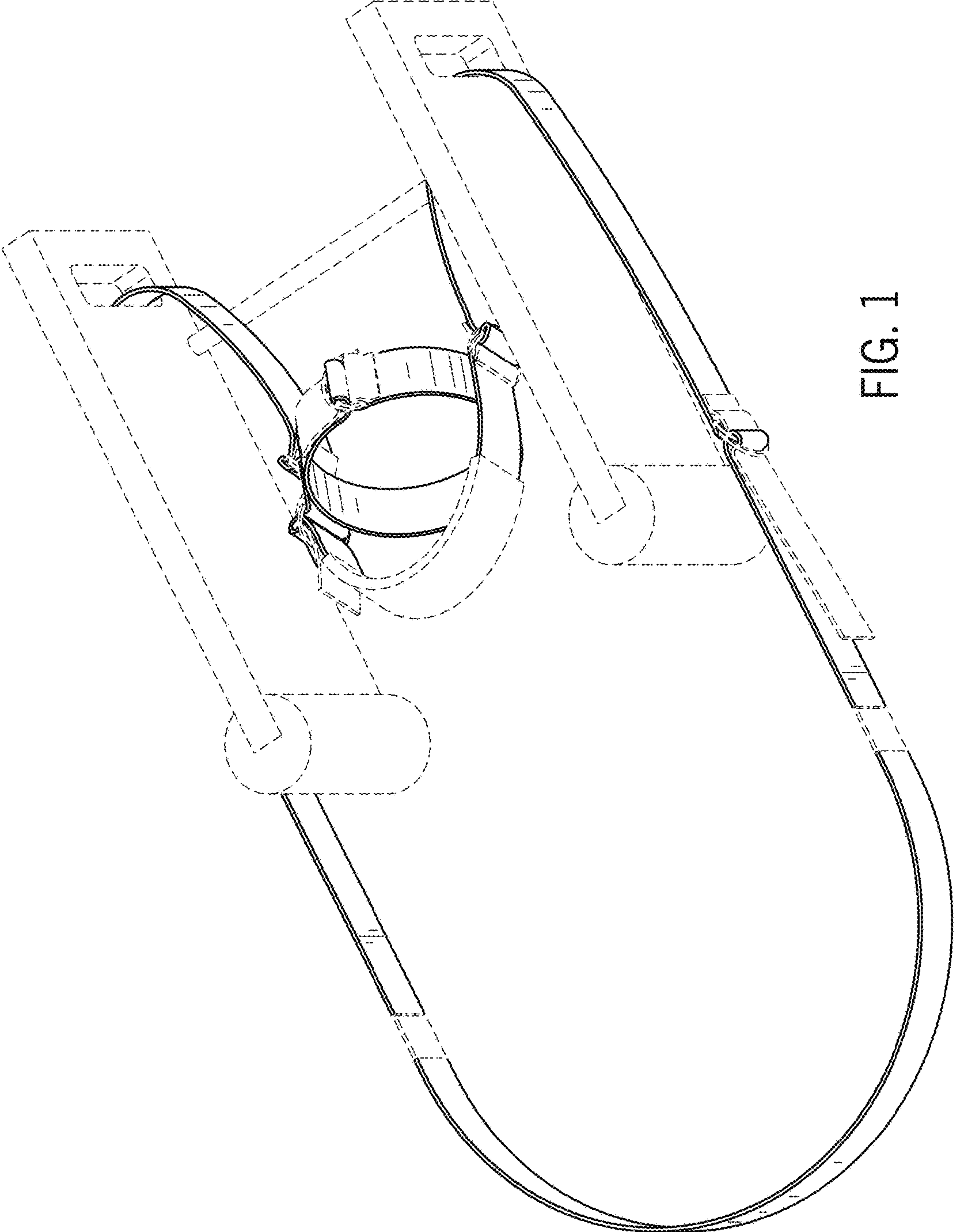


FIG. 1

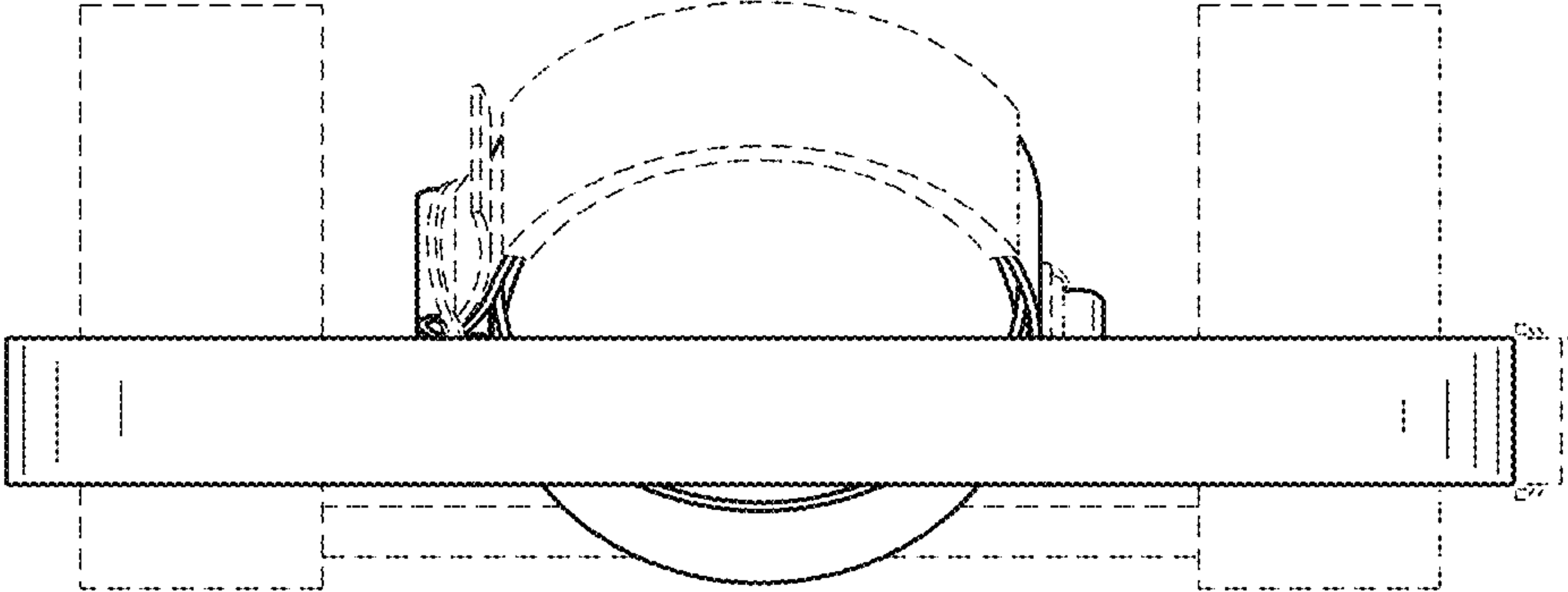


FIG. 2

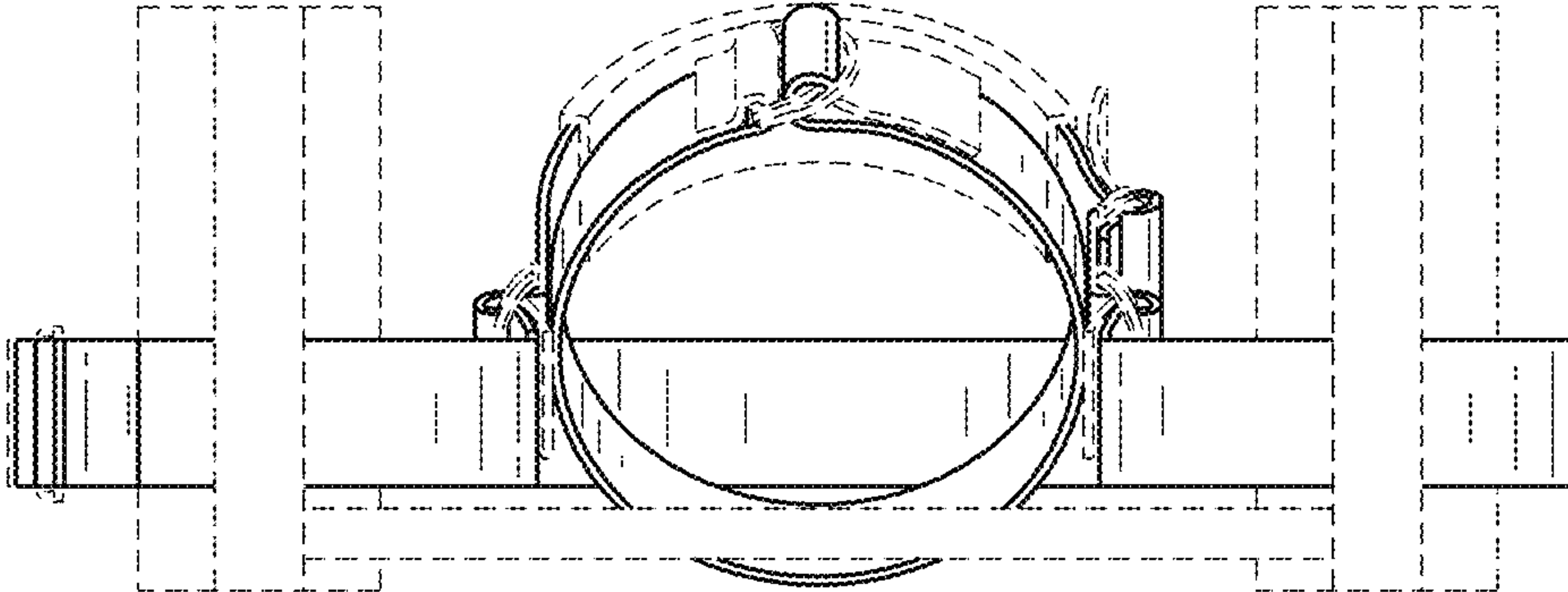


FIG. 3

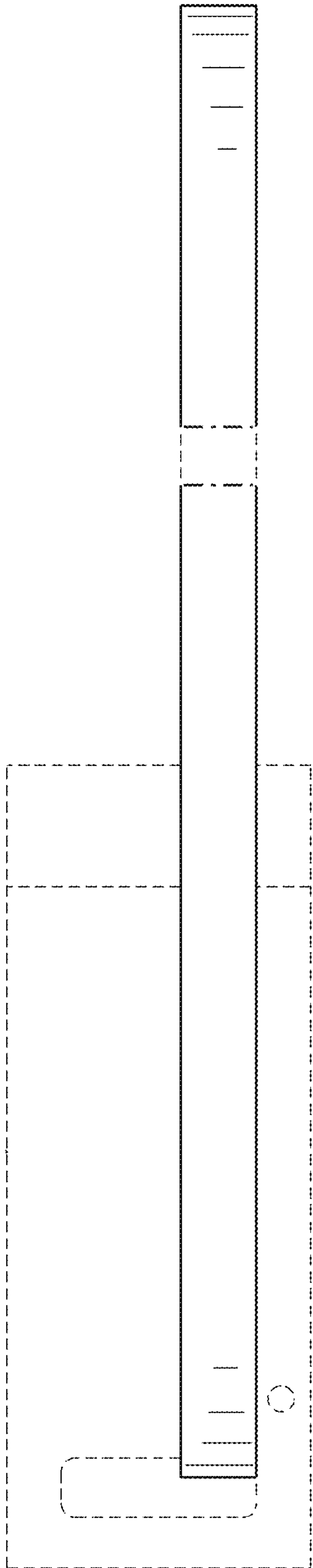


FIG. 4

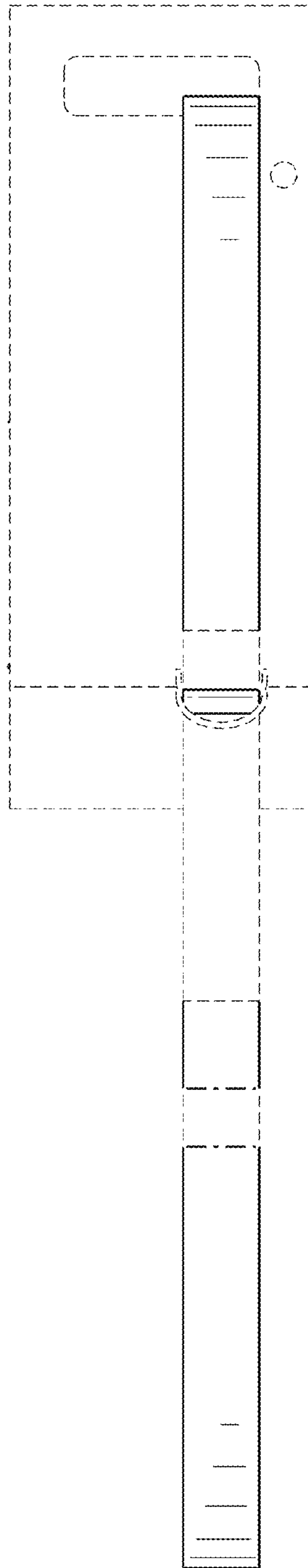


FIG. 5

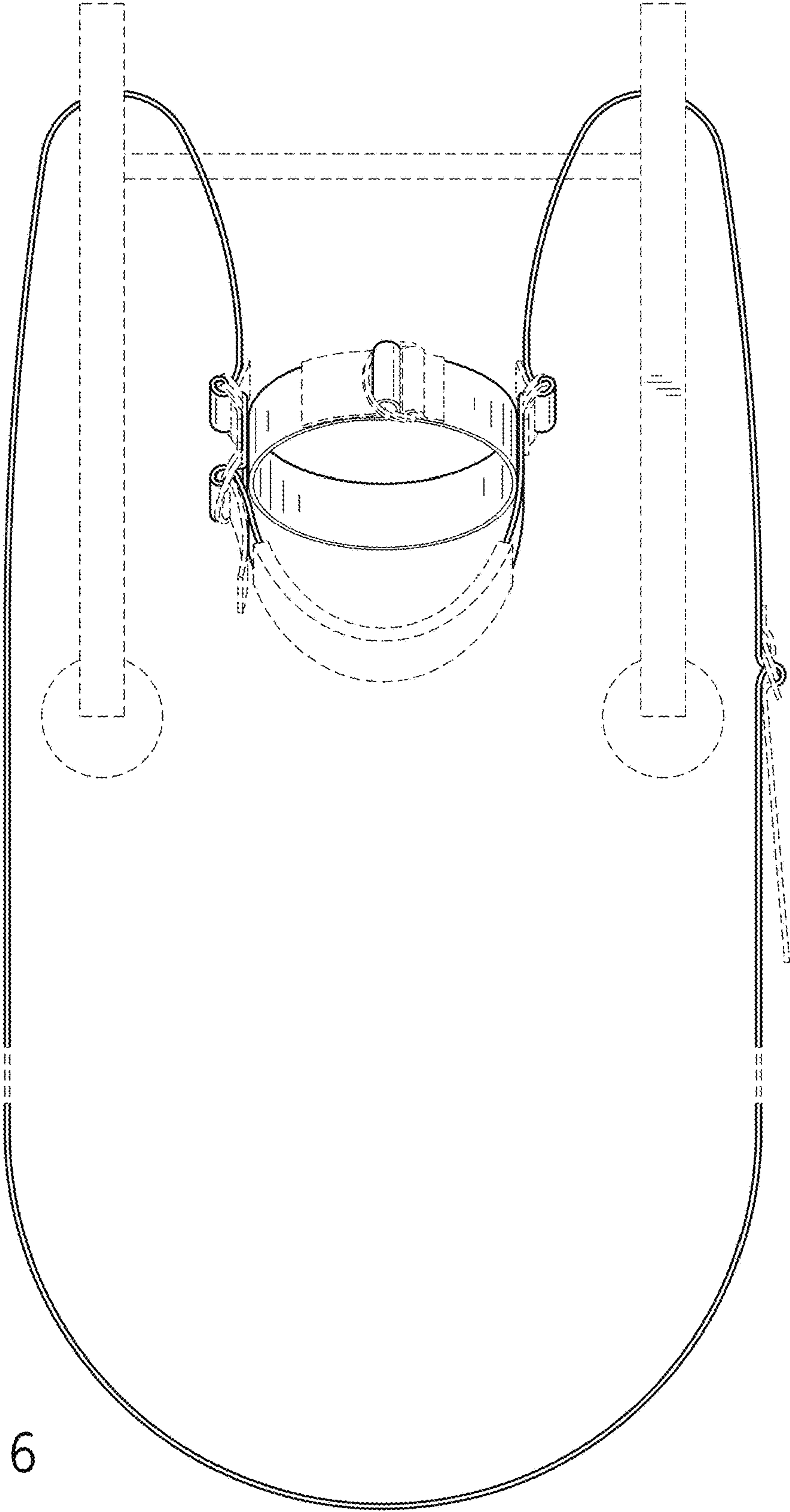


FIG. 6

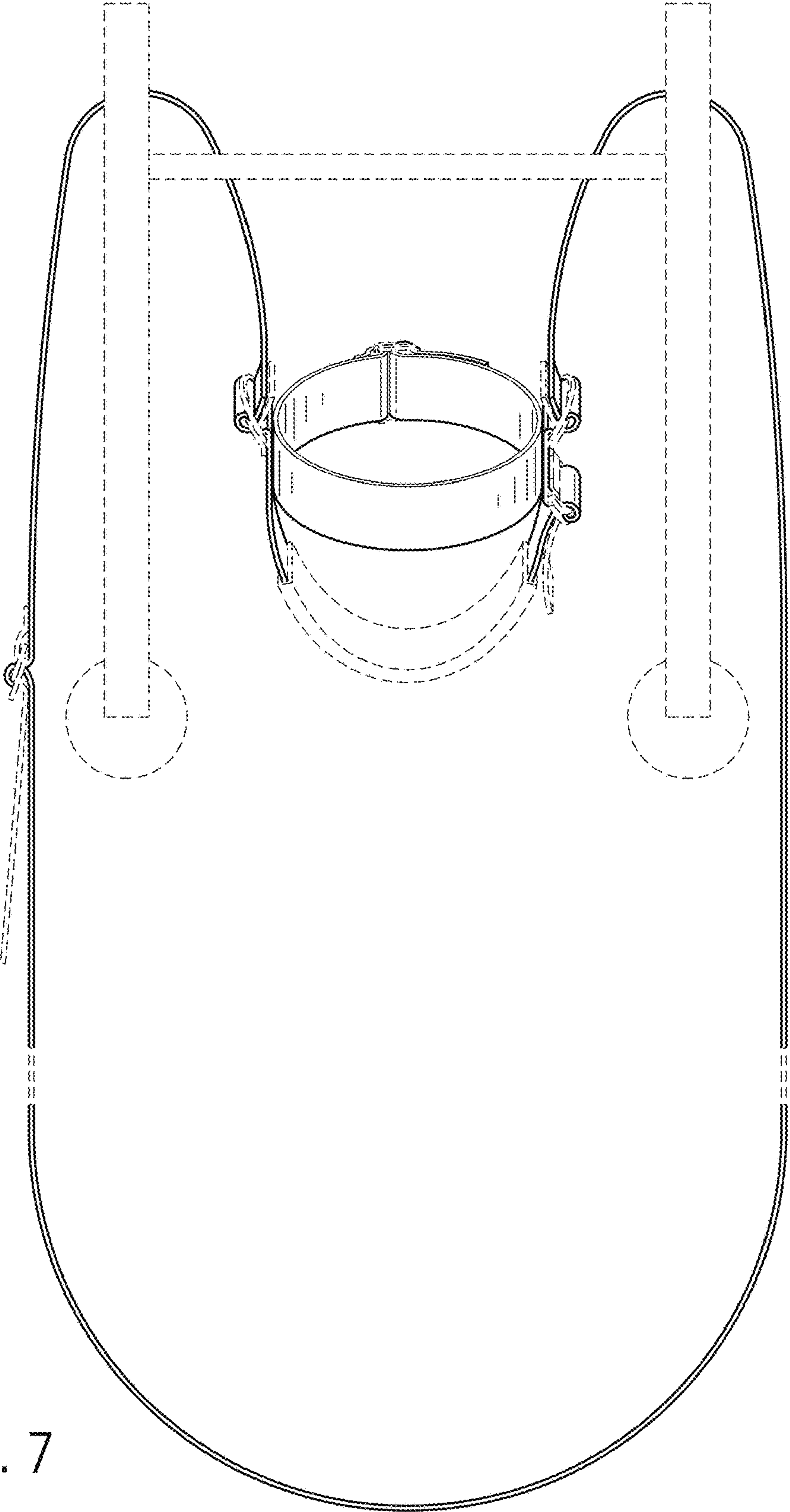


FIG. 7

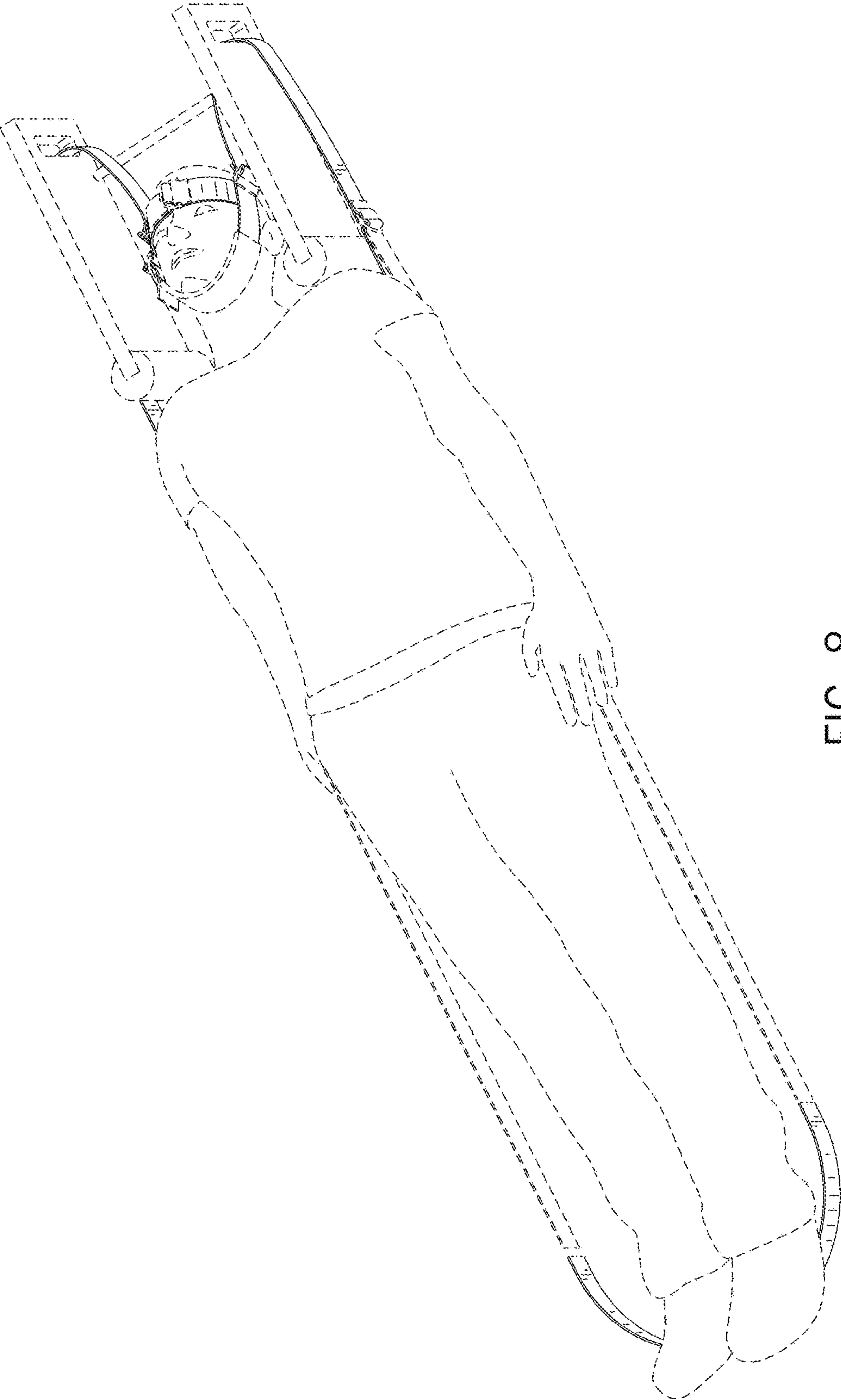


FIG. 8