



US00D865186S

(12) **United States Design Patent** (10) **Patent No.:** **US D865,186 S**
Cisko, Jr. et al. (45) **Date of Patent:** **** Oct. 29, 2019**

(54) **HERNIA BELT**
(71) Applicant: **Hollister Incorporated**, Libertyville, IL (US)
(72) Inventors: **George J. Cisko, Jr.**, Spring Grove, IL (US); **Ryan S. Park**, Northbrook, IL (US); **Christina Augustyn**, Chicago, IL (US); **Donald Rakevicius**, Lake Zurich, IL (US); **Xuemei Wang**, Buffalo Grove, IL (US); **Stephanie Kia**, Columbus, OH (US); **Jeffrey R. Burger**, Bexley, OH (US)

3,308,813 A 3/1967 Loeffel
3,393,674 A 7/1968 Nelkin
3,421,505 A 1/1969 Freeman et al.
3,468,310 A 9/1969 Kimball
3,486,501 A 12/1969 Erickson
3,570,480 A 3/1971 Stubbs
3,902,503 A 9/1975 Gaylord, Jr.

(Continued)

FOREIGN PATENT DOCUMENTS

CN 101325930 B 1/2012
CN 204016581 U 12/2014

(Continued)

OTHER PUBLICATIONS

International Search Report and Written Opinion issued by ISA/EPO in connection with PCT/US2018/015955 dated Jul. 24, 2018.

Primary Examiner — Jennifer L Watkins

(74) *Attorney, Agent, or Firm* — Levenfeld Pearlstein, LLC

(73) Assignee: **Hollister Incorporated**, Libertyville, IL (US)

(**) Term: **15 Years**

(21) Appl. No.: **29/635,351**

(22) Filed: **Jan. 30, 2018**

(51) **LOC (12) Cl.** **24-01**

(52) **U.S. Cl.**
USPC **D24/190**

(58) **Field of Classification Search**
USPC D24/188, 190; D21/683
CPC A61F 5/028; A61F 5/03; A61F 13/148;
A61F 5/445; A61F 5/24; A61F 5/449;
A61F 13/143; A41D 13/1254
See application file for complete search history.

(57) **CLAIM**

The ornamental design for a hernia belt, as shown and described.

DESCRIPTION

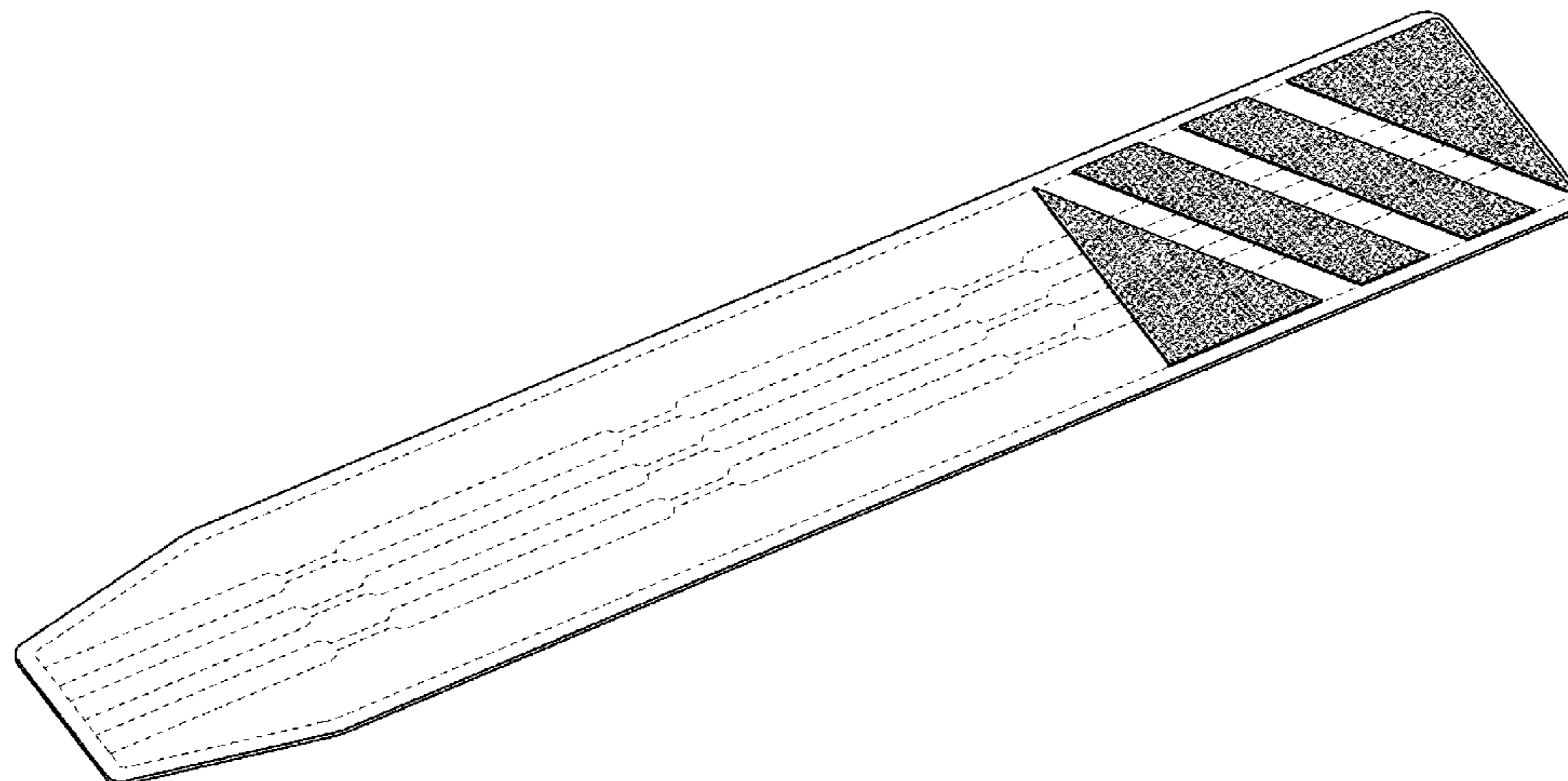
FIG. 1 is a top, front perspective view of a hernia belt embodying our new design;
FIG. 2 is a top view thereof;
FIG. 3 is a bottom view thereof;
FIG. 4 is a side view thereof as seen from the right-hand side of FIG. 2;
FIG. 5 is a side view thereof as seen from the left-hand side of FIG. 2;
FIG. 6 is a rear view thereof; and,
FIG. 7 is a front view thereof.
The broken lines in the figures depict stitching and form no part of the claim.

(56) **References Cited**

U.S. PATENT DOCUMENTS

648,267 A 4/1900 Kock
1,343,035 A 6/1920 Bertha
2,002,931 A 5/1935 Bowman
2,015,255 A 9/1935 Charpier et al.
2,018,981 A 10/1935 Tietjen
2,185,834 A 1/1940 Creper
2,688,327 A 9/1954 Samuel
2,778,362 A 1/1957 Pollock et al.

1 Claim, 3 Drawing Sheets



(56)

References Cited

U.S. PATENT DOCUMENTS

3,930,090 A 12/1975 Campbell, Jr. et al.
 4,243,028 A 1/1981 Puyana
 4,245,628 A 1/1981 Eichler
 4,416,272 A 11/1983 Nelkin
 4,489,719 A * 12/1984 Lapenskie A61F 13/066
 36/89
 4,888,006 A 12/1989 Beaupied
 4,964,401 A * 10/1990 Taigen A61F 5/028
 128/876
 5,135,520 A 8/1992 Beaupied
 5,147,261 A 9/1992 Smith et al.
 5,330,455 A 7/1994 McKay
 5,489,260 A 2/1996 Striano
 5,499,965 A 3/1996 Sanchez
 5,500,959 A 3/1996 Yewer, Jr.
 5,634,891 A 6/1997 Beczak, Sr. et al.
 5,853,396 A 12/1998 Bennes et al.
 6,273,872 B1 8/2001 Friedman
 D454,198 S * 3/2002 Lamping D24/190
 6,422,242 B1 * 7/2002 Slautterback A61F 5/24
 128/846
 6,468,254 B2 10/2002 Gupton
 6,610,032 B1 8/2003 Prody
 D480,145 S * 9/2003 Slautterback D24/190
 6,620,026 B1 9/2003 Guilani et al.
 6,923,779 B1 8/2005 Choiniere
 7,160,262 B2 * 1/2007 Wicks A41C 1/08
 602/19
 7,228,809 B2 6/2007 Angelino et al.
 7,364,558 B2 4/2008 Weaver, II et al.
 7,458,958 B2 12/2008 Worsoe
 7,490,602 B2 2/2009 Sabri
 7,537,510 B2 5/2009 Gransberry
 D595,859 S * 7/2009 Young D24/190
 7,661,152 B2 2/2010 Manzano-Rivera

D648,440 S * 11/2011 Allen D24/190
 8,057,417 B2 11/2011 Imai
 8,066,657 B2 11/2011 Frazer
 D658,350 S * 5/2012 Goodman D2/627
 D661,402 S * 6/2012 Chen D24/190
 D695,902 S 12/2013 Daniels et al.
 8,689,364 B2 4/2014 Rowland et al.
 8,808,213 B2 8/2014 Hendricks
 8,990,965 B2 3/2015 Waldman et al.
 D728,804 S 5/2015 Hansen
 9,579,237 B2 2/2017 Hansen
 D811,697 S * 3/2018 Ross D2/840
 2006/0047256 A1 3/2006 Levesque
 2007/0245449 A1 10/2007 Ehmsen et al.
 2008/0244805 A1 10/2008 Griffin
 2009/0081926 A1 3/2009 Gros
 2009/0171259 A1 7/2009 Soerensen et al.
 2010/0049109 A1 * 2/2010 Stewart, III A61F 5/028
 602/19
 2010/0100019 A1 4/2010 Chen et al.
 2011/0004970 A1 * 1/2011 Okamoto A41C 1/08
 2/69
 2011/0313360 A1 12/2011 Lin
 2012/0283679 A1 11/2012 Berish et al.
 2013/0167288 A1 7/2013 Rowland et al.
 2014/0188079 A1 7/2014 Simons et al.
 2015/0094638 A1 4/2015 Hansen
 2015/0107003 A1 4/2015 Rowland et al.
 2017/0119586 A1 5/2017 Hansen
 2017/0367872 A1 12/2017 Cantrell

FOREIGN PATENT DOCUMENTS

GB 2541826 A 3/2017
 WO 2017125398 A1 7/2017
 WO 2018005360 A1 1/2018

* cited by examiner

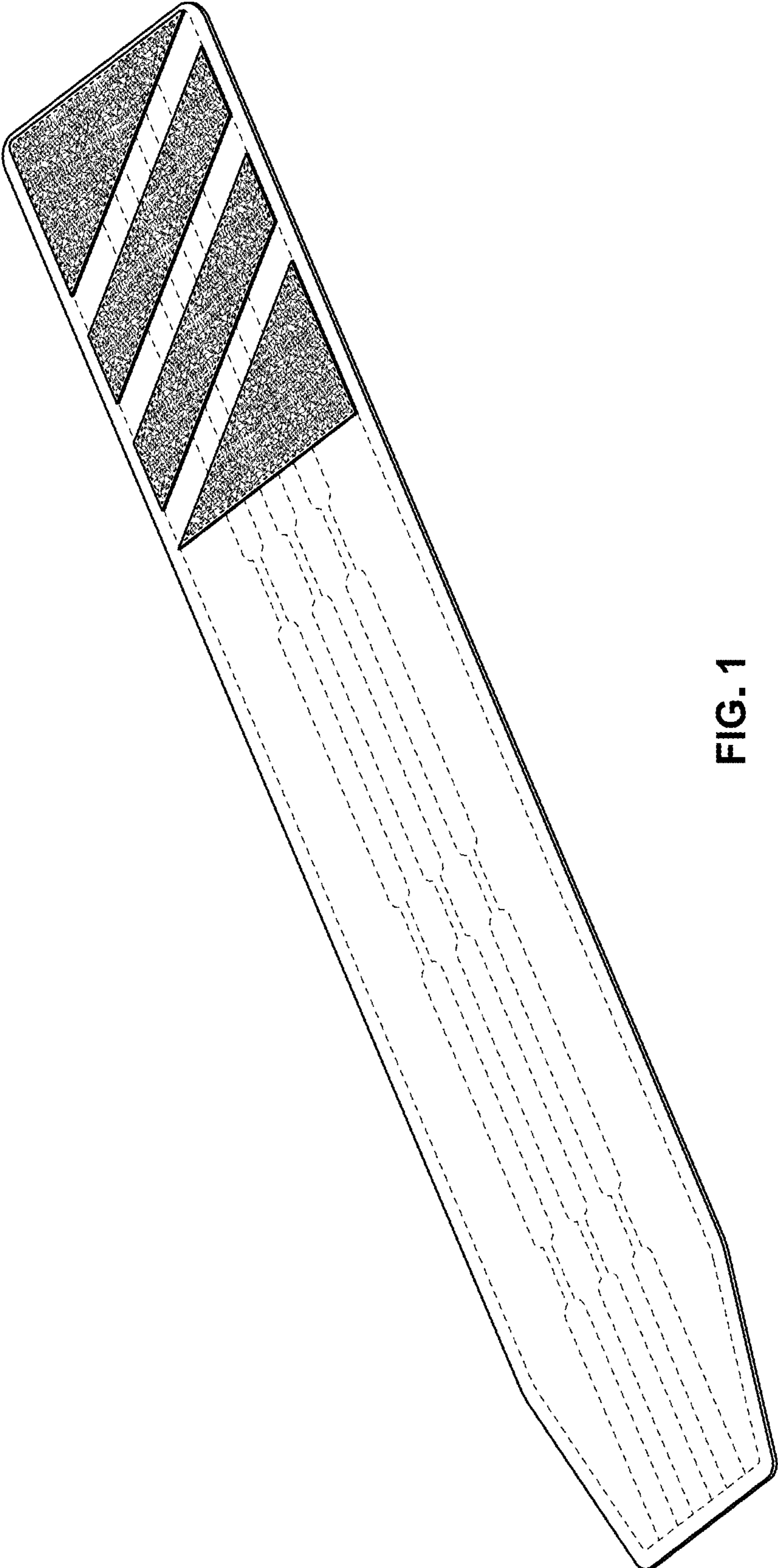


FIG. 1

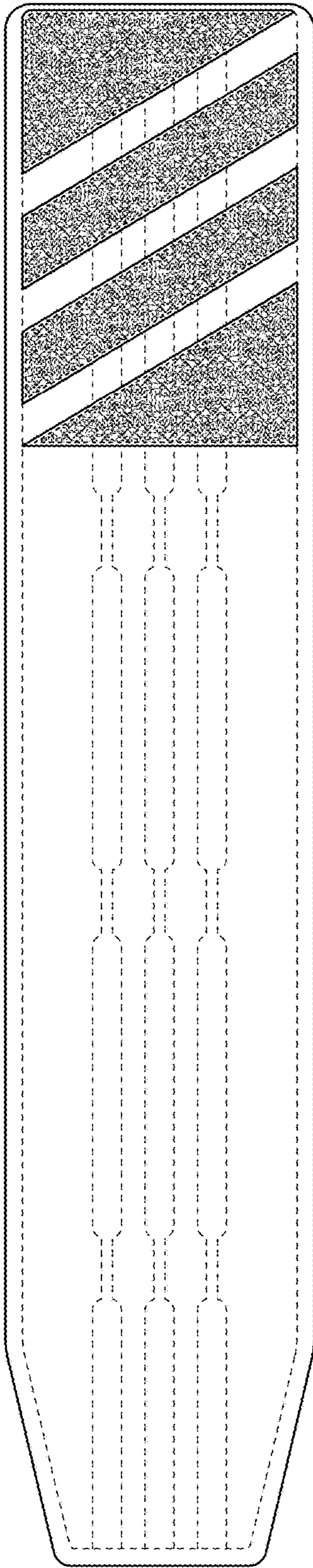


FIG. 2

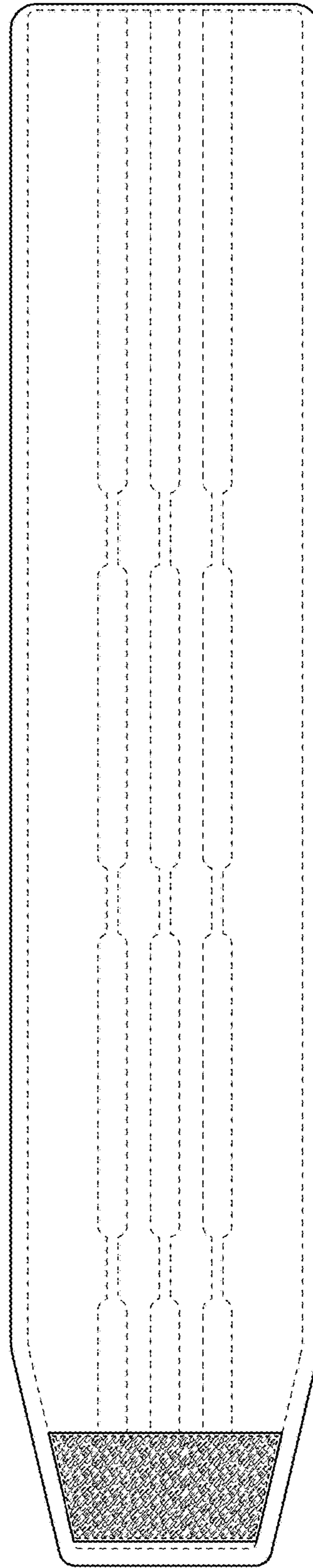


FIG. 3



FIG. 4



FIG. 5



FIG. 6



FIG. 7