

US00D865185S

(12) **United States Design Patent** (10) **Patent No.:** **US D865,185 S**  
**Cisko, Jr. et al.** (45) **Date of Patent:** **\*\* Oct. 29, 2019**

(54) **HERNIA BELT**  
(71) Applicant: **Hollister Incorporated**, Libertyville, IL (US)  
(72) Inventors: **George J. Cisko, Jr.**, Spring Grove, IL (US); **Ryan S. Park**, Northbrook, IL (US); **Christina Augustyn**, Chicago, IL (US); **Donald Rakevicius**, Lake Zurich, IL (US); **Xuemei Wang**, Buffalo Grove, IL (US); **Stephanie Kia**, Columbus, OH (US); **Jeffrey R. Burger**, Bexley, OH (US)

3,308,813 A 3/1967 Loeffel  
3,393,674 A 7/1968 Nelkin  
3,421,505 A 1/1969 Freeman et al.  
3,468,310 A 9/1969 Kimball  
3,486,501 A 12/1969 Erickson  
3,570,480 A 3/1971 Stubbs  
3,902,503 A 9/1975 Gaylord, Jr.

(Continued)

FOREIGN PATENT DOCUMENTS

CN 101325930 B 1/2012  
CN 204016581 U 12/2014

(Continued)

(73) Assignee: **HOLLISTER INCORPORATED**, Libertyville, IL (US)

(\*\*) Term: **15 Years**

(21) Appl. No.: **29/635,329**

(22) Filed: **Jan. 30, 2018**

(51) **LOC (12) Cl.** ..... **24-01**

(52) **U.S. Cl.**  
USPC ..... **D24/190**

(58) **Field of Classification Search**  
USPC ..... D24/188, 190; D21/683  
CPC ..... A61F 5/028; A61F 5/03; A61F 13/148;  
A61F 5/445; A61F 5/24; A61F 5/449;  
A61F 13/143; A41D 13/1254  
See application file for complete search history.

(56) **References Cited**

U.S. PATENT DOCUMENTS

648,267 A 4/1900 Kock  
1,343,035 A 6/1920 Bertha  
2,002,931 A 5/1935 Bowman  
2,015,255 A 9/1935 Charpier et al.  
2,018,981 A 10/1935 Tietjen  
2,185,834 A 1/1940 Creper  
2,688,327 A 9/1954 Samuel  
2,778,362 A 1/1957 Pollock et al.

OTHER PUBLICATIONS

International Search Report and Written Opinion issued by ISA/EPO in connection with PCT/US2018/015955 dated Jul. 24, 2018.

*Primary Examiner* — Jennifer L Watkins

(74) *Attorney, Agent, or Firm* — Levenfeld Pearlstein, LLC

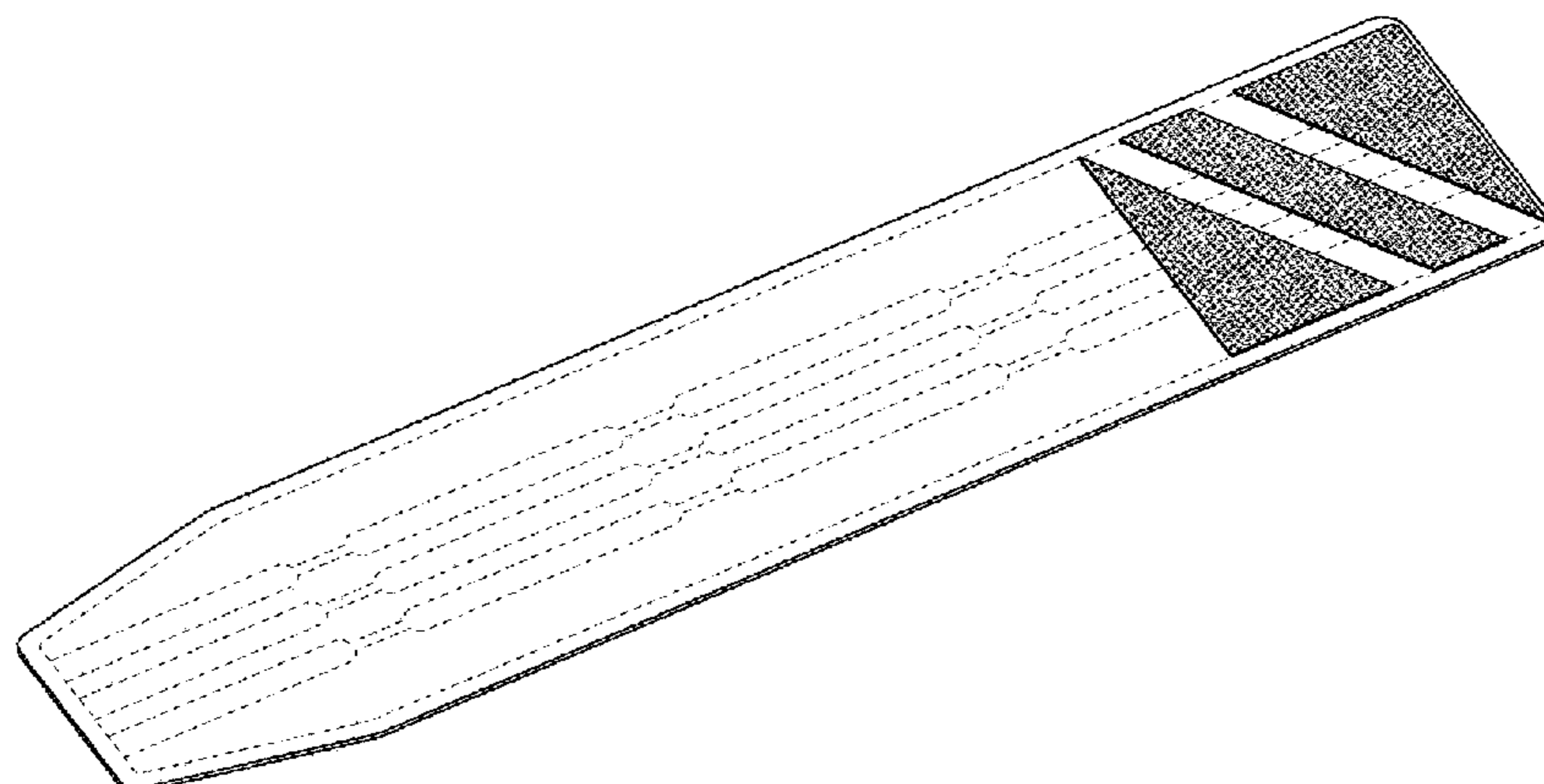
(57) **CLAIM**

The ornamental design for a hernia belt, as shown and described.

**DESCRIPTION**

FIG. 1 is a top, front perspective view of a hernia belt embodying our new design;  
FIG. 2 is a top view thereof;  
FIG. 3 is a bottom view thereof;  
FIG. 4 is a side view thereof as seen from the right-hand side of FIG. 2;  
FIG. 5 is a side view thereof as seen from the left-hand side of FIG. 2;  
FIG. 6 is a rear view thereof; and,  
FIG. 7 is a front view thereof.  
The broken lines in the figures depict stitching and form no part of the claim.

**1 Claim, 3 Drawing Sheets**



(56)

References Cited

U.S. PATENT DOCUMENTS

3,930,090 A 12/1975 Campbell, Jr. et al.  
 4,243,028 A 1/1981 Puyana  
 4,245,628 A 1/1981 Eichler  
 4,416,272 A 11/1983 Nelkin  
 4,489,719 A \* 12/1984 Lapenskie ..... A61F 13/066  
 36/89  
 4,888,006 A 12/1989 Beaupied  
 4,964,401 A \* 10/1990 Taigen ..... A61F 5/028  
 128/876  
 5,135,520 A 8/1992 Beaupied  
 5,147,261 A 9/1992 Smith et al.  
 5,330,455 A 7/1994 McKay  
 5,489,260 A 2/1996 Striano  
 5,499,965 A 3/1996 Sanchez  
 5,500,959 A 3/1996 Yewer, Jr.  
 5,634,891 A 6/1997 Beczak, Sr. et al.  
 5,853,396 A 12/1998 Bennes et al.  
 6,273,872 B1 8/2001 Friedman  
 D454,198 S \* 3/2002 Lamping ..... D24/190  
 6,422,242 B1 \* 7/2002 Slautterback ..... A61F 5/24  
 128/846  
 6,468,254 B2 10/2002 Gupton  
 6,610,032 B1 8/2003 Prody  
 D480,145 S \* 9/2003 Slautterback ..... D24/190  
 6,620,026 B1 9/2003 Guilani et al.  
 6,923,779 B1 8/2005 Choiniere  
 7,160,262 B2 \* 1/2007 Wicks ..... A41C 1/08  
 602/19  
 7,228,809 B2 6/2007 Angelino et al.  
 7,364,558 B2 4/2008 Weaver, II et al.  
 7,458,958 B2 12/2008 Worsoe  
 7,490,602 B2 2/2009 Sabri  
 7,537,510 B2 5/2009 Gransberry  
 D595,859 S \* 7/2009 Young ..... D24/190  
 7,661,152 B2 2/2010 Manzano-Rivera

D648,440 S \* 11/2011 Allen ..... D24/190  
 8,057,417 B2 11/2011 Imai  
 8,066,657 B2 11/2011 Frazer  
 D658,350 S \* 5/2012 Goodman ..... D2/627  
 D661,402 S \* 6/2012 Chen ..... D24/190  
 D695,902 S 12/2013 Daniels et al.  
 8,689,364 B2 4/2014 Rowland et al.  
 8,808,213 B2 8/2014 Hendricks  
 8,990,965 B2 3/2015 Waldman et al.  
 D728,804 S 5/2015 Hansen  
 9,579,237 B2 2/2017 Hansen  
 D811,697 S \* 3/2018 Ross ..... D2/840  
 2006/0047256 A1 3/2006 Levesque  
 2007/0245449 A1 10/2007 Ehmsen et al.  
 2008/0244805 A1 10/2008 Griffin  
 2009/0081926 A1 3/2009 Gros  
 2009/0171259 A1 7/2009 Soerensen et al.  
 2010/0049109 A1 \* 2/2010 Stewart, III ..... A61F 5/028  
 602/19  
 2010/0100019 A1 4/2010 Chen et al.  
 2011/0004970 A1 \* 1/2011 Okamoto ..... A41C 1/08  
 2/69  
 2011/0313360 A1 12/2011 Lin  
 2012/0283679 A1 11/2012 Berish et al.  
 2013/0167288 A1 7/2013 Rowland et al.  
 2014/0188079 A1 7/2014 Simons et al.  
 2015/0094638 A1 4/2015 Hansen  
 2015/0107003 A1 4/2015 Rowland et al.  
 2017/0119586 A1 5/2017 Hansen  
 2017/0367872 A1 12/2017 Cantrell

FOREIGN PATENT DOCUMENTS

GB 2541826 A 3/2017  
 WO 2017125398 A1 7/2017  
 WO 2018005360 A1 1/2018

\* cited by examiner

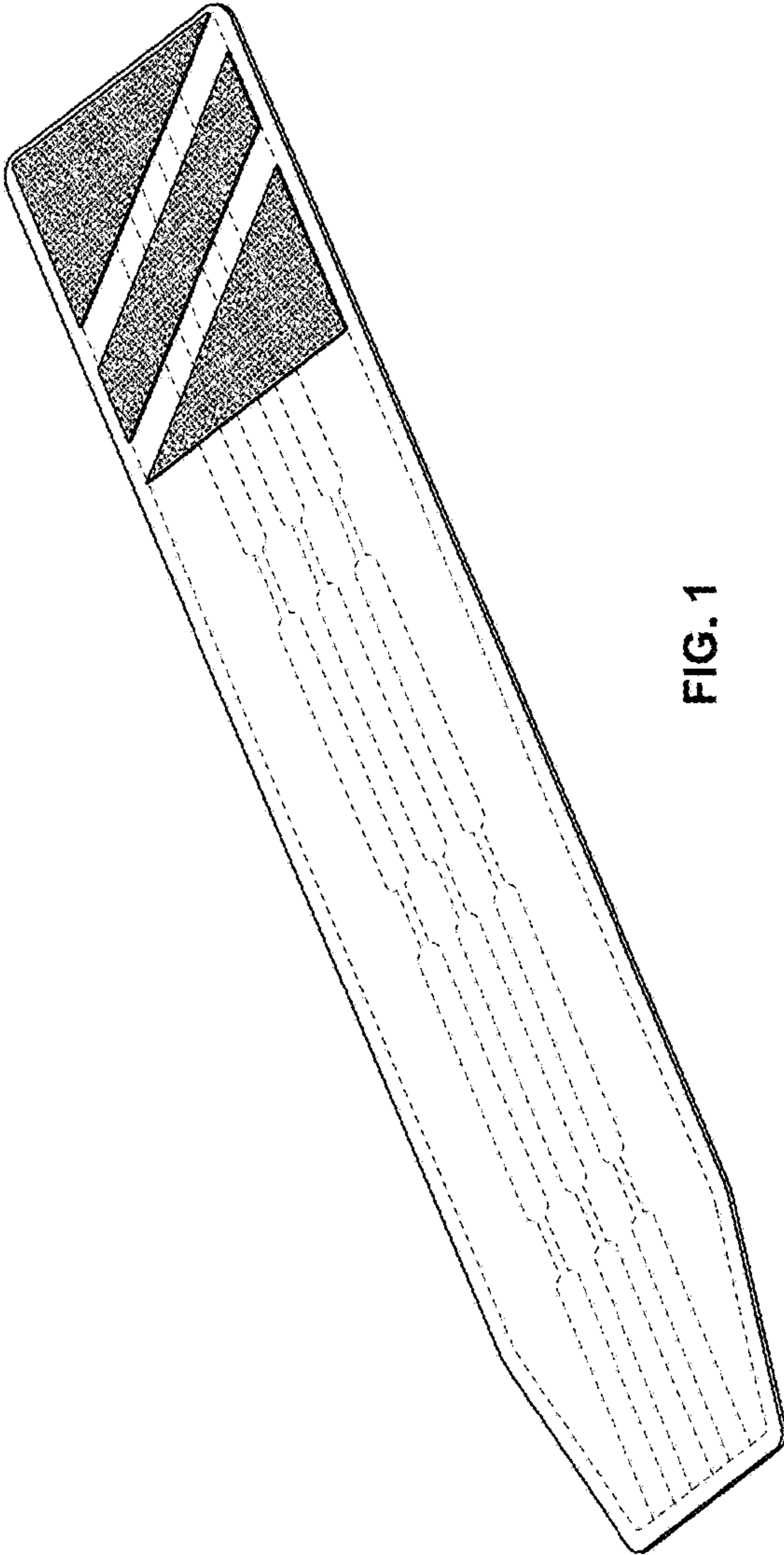


FIG. 1

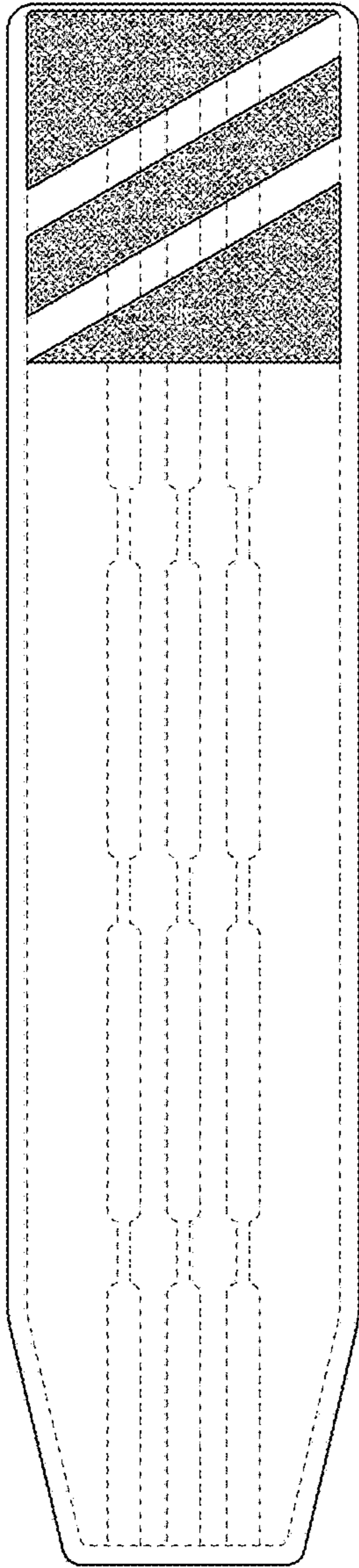


FIG. 2

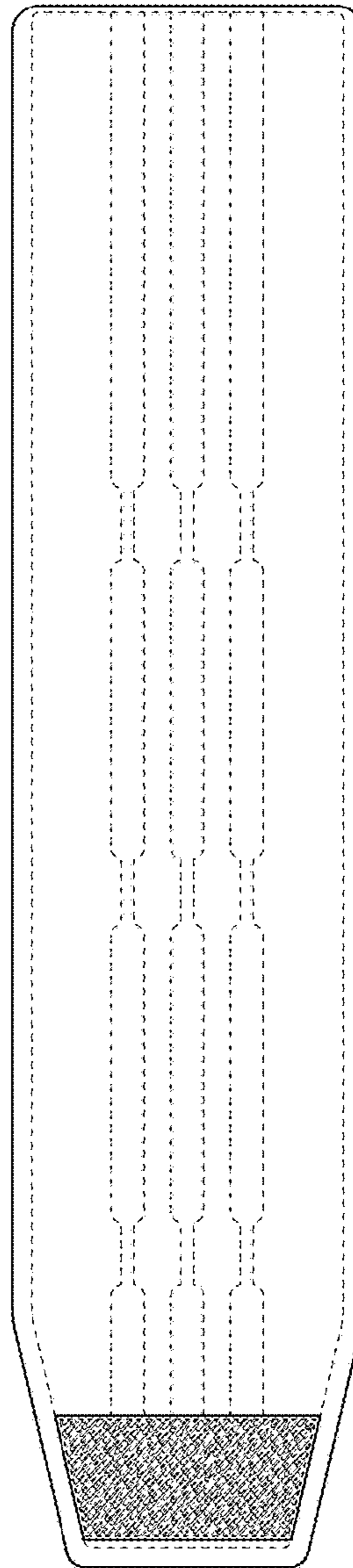


FIG. 3

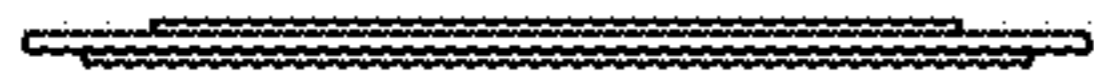


FIG. 4

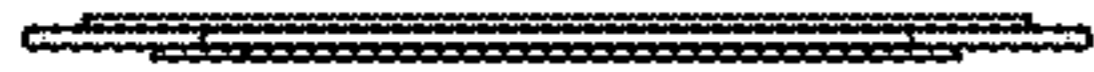


FIG. 5



FIG. 6



FIG. 7