



US00D865182S

(12) **United States Design Patent**
Richter et al.

(10) **Patent No.:** **US D865,182 S**

(45) **Date of Patent:** **** Oct. 29, 2019**

(54) **DOCKING STATION**

(71) Applicant: **Robert Bosch GmbH**, Stuttgart (DE)

(72) Inventors: **Torsten Richter**, Darmstadt (DE); **Tilo Endt**, Schorndorf (DE); **Dieter Fornoff**, Darmstadt (DE)

(73) Assignee: **Robert Bosch GmbH**, Stuttgart (DE)

(**) Term: **15 Years**

(21) Appl. No.: **29/619,635**

(22) Filed: **Sep. 29, 2017**

(30) **Foreign Application Priority Data**

Mar. 30, 2017 (EM) 003830488

(51) **LOC (12) Cl.** **24-02**

(52) **U.S. Cl.**
USPC **D24/186**

(58) **Field of Classification Search**

USPC D24/186, 185, 231, 224, 234
CPC A61B 8/08; G06F 1/1632; G06F 1/1637;
G06F 1/1641; G06F 1/1643; G06F
1/1645; G06F 1/1647; G06F 1/1649;
G06F 1/165; G06F 1/1652; G06F 1/1654
See application file for complete search history.

(56) **References Cited**

U.S. PATENT DOCUMENTS

6,746,402 B2 * 6/2004 Ustuner A61B 8/00
600/462
D609,344 S * 2/2010 Hara D24/165
D618,816 S * 6/2010 Kubicki D24/209
D638,831 S * 5/2011 Paradise D14/253
D655,307 S * 3/2012 Maier D14/496
D660,974 S * 5/2012 Jones D24/209
D682,263 S * 5/2013 Kim D14/341
D683,034 S * 5/2013 Shigeno D24/186

D698,784 S * 2/2014 Kim D14/341
D699,239 S * 2/2014 Kim D14/341
D699,240 S * 2/2014 Kim D14/341

(Continued)

FOREIGN PATENT DOCUMENTS

WO WO-2013056160 A2 * 4/2013 A61M 16/0051

OTHER PUBLICATIONS

Pacific Medical. Link: <http://pacificmedicalsupply.com/masimo-oem-9500-radical-7-touch-screen-handheld/>. Visited Apr. 9, 2019. Masimo OEM 9500 Radical-7 Touch Screen Handheld. (Year: 2019).*

Primary Examiner — Susan Bennett Hattan

Assistant Examiner — Lauren D McVey

(74) *Attorney, Agent, or Firm* — Maginot, Moore & Beck LLP

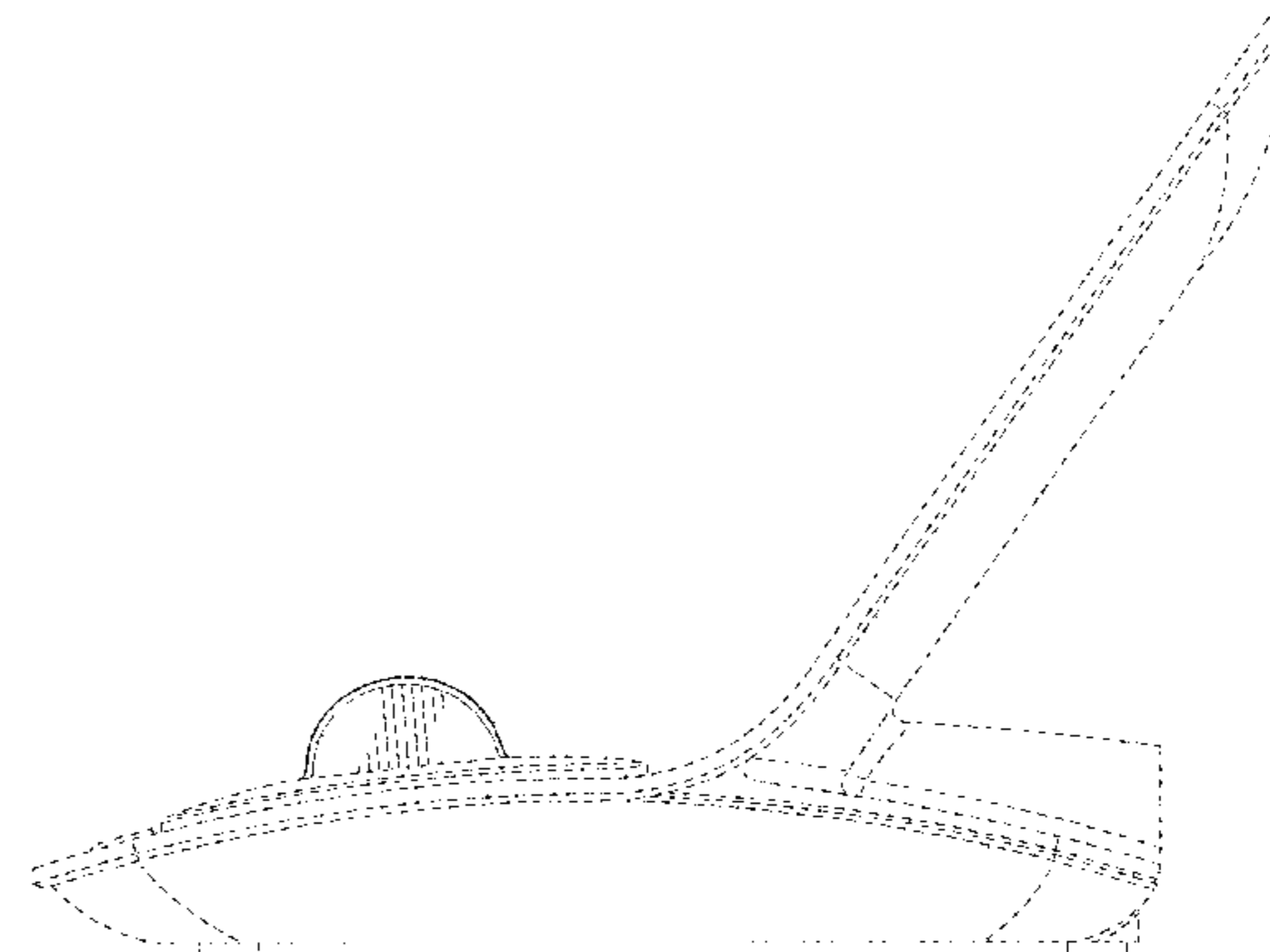
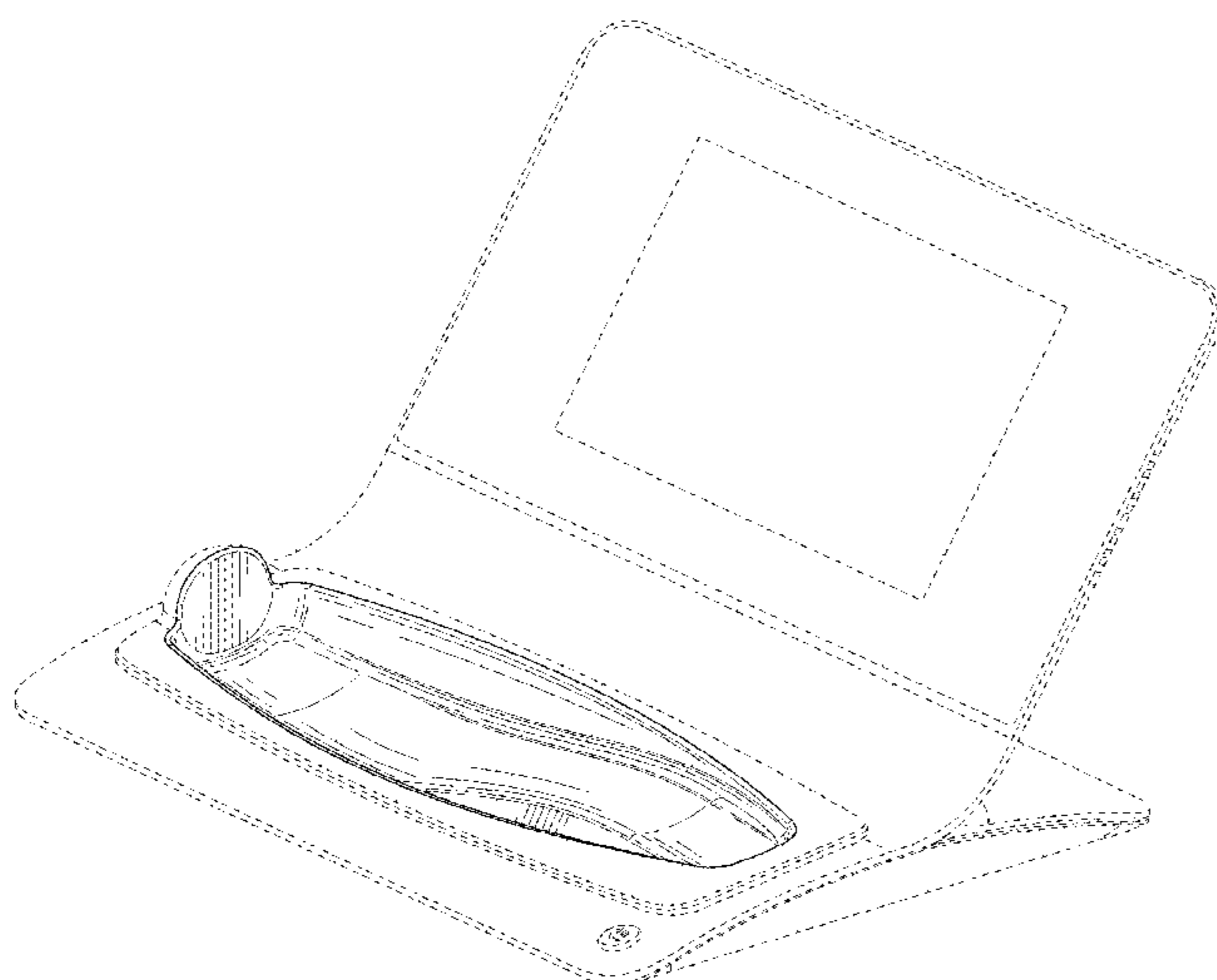
(57) **CLAIM**

The ornamental design for a docking station, as shown and described.

DESCRIPTION

FIG. 1 is a perspective view of a docking station showing our new design;
FIG. 2 is a front elevational view of the docking station of FIG. 1;
FIG. 3 is a rear elevational view of the docking station of FIG. 1;
FIG. 4 is a right side elevational view of the docking station of FIG. 1;
FIG. 5 is a left side elevational view of the docking station of FIG. 1;
FIG. 6 is a top plan view of the docking station of FIG. 1; and,
FIG. 7 is a bottom plan view of the docking station of FIG. 1.
The broken lines shown in the drawings illustrate portions of the docking station that form no part of the claimed design.

1 Claim, 7 Drawing Sheets



(56)

References Cited

U.S. PATENT DOCUMENTS

D699,854 S *	2/2014	Kagawa	D24/177
D705,190 S *	5/2014	Shigeno	D14/186
D736,392 S *	8/2015	Kwon	D24/185
D765,863 S *	9/2016	Carney	D24/169
D782,684 S *	3/2017	Pippel	D24/186
D782,685 S *	3/2017	Pippel	D24/186
D802,134 S *	11/2017	Geißler	D24/144
D806,712 S *	1/2018	Cebe	D14/434
D812,760 S *	3/2018	Herman	D24/186
D828,574 S *	9/2018	Fujiwara	D24/216
D830,324 S *	10/2018	Stawski	D14/130
D839,438 S *	1/2019	Geh	D24/186
D844,147 S *	3/2019	Benedikter	D24/177
D844,791 S *	4/2019	Henderson	D24/186

* cited by examiner

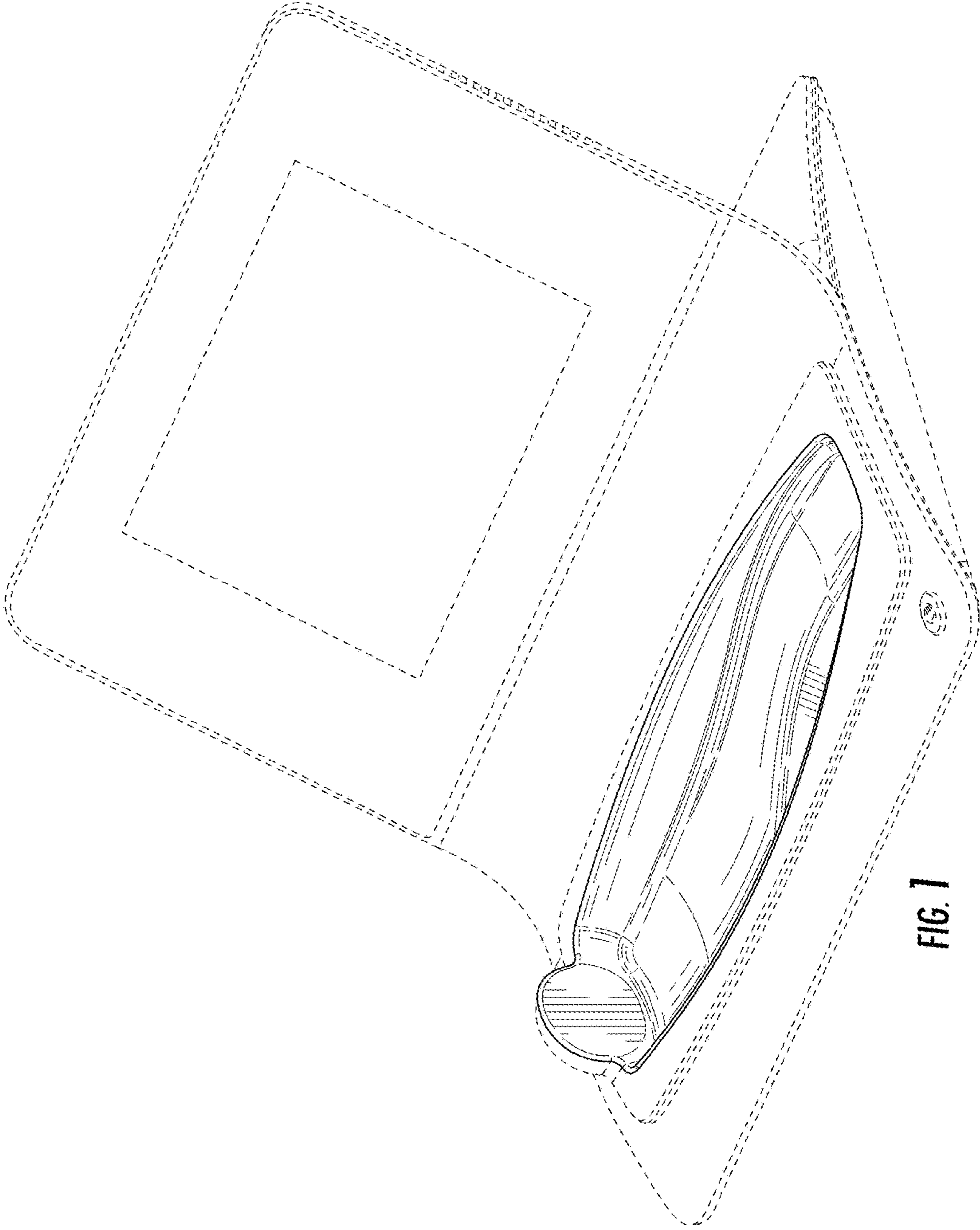


FIG. 1

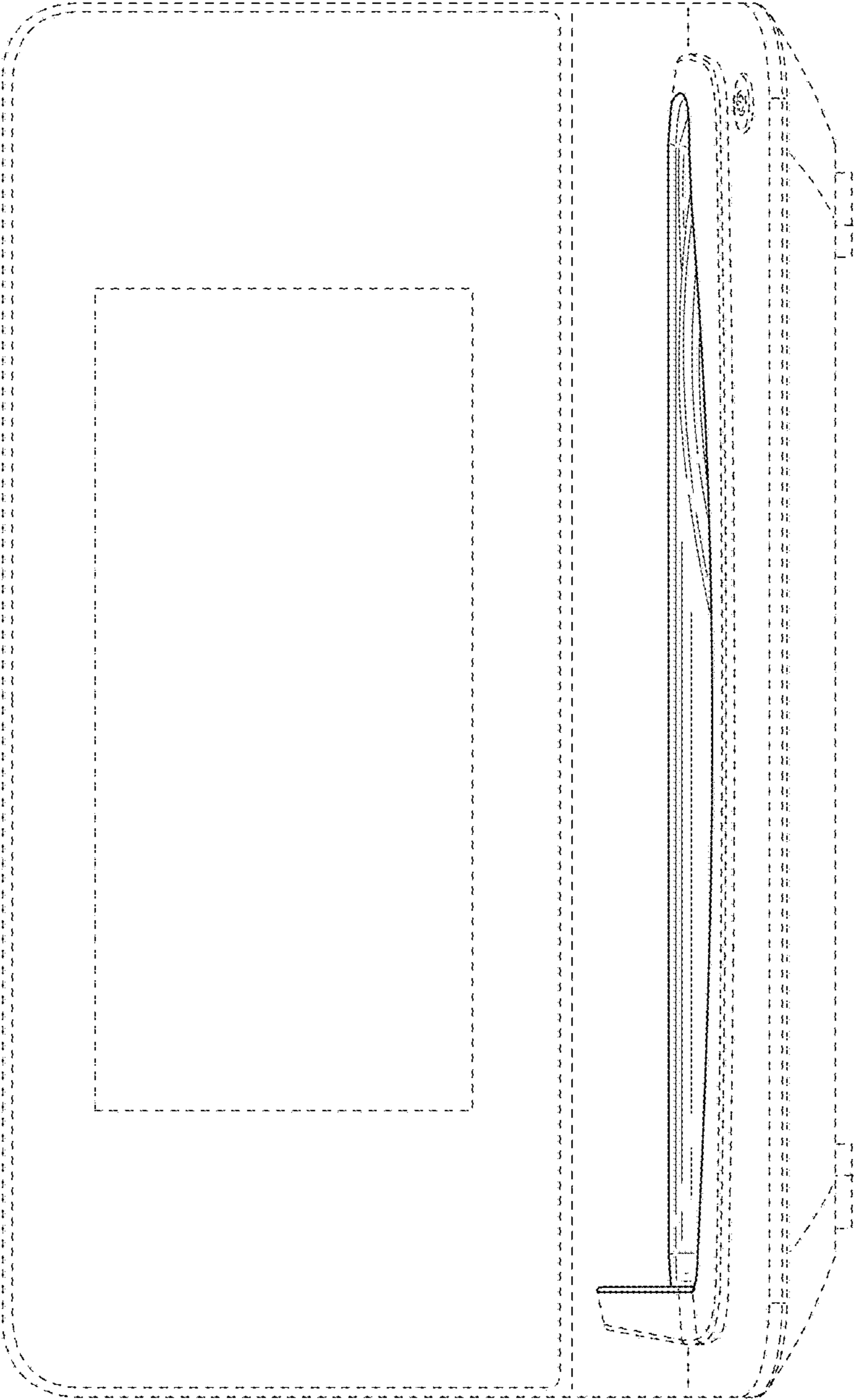


FIG. 2

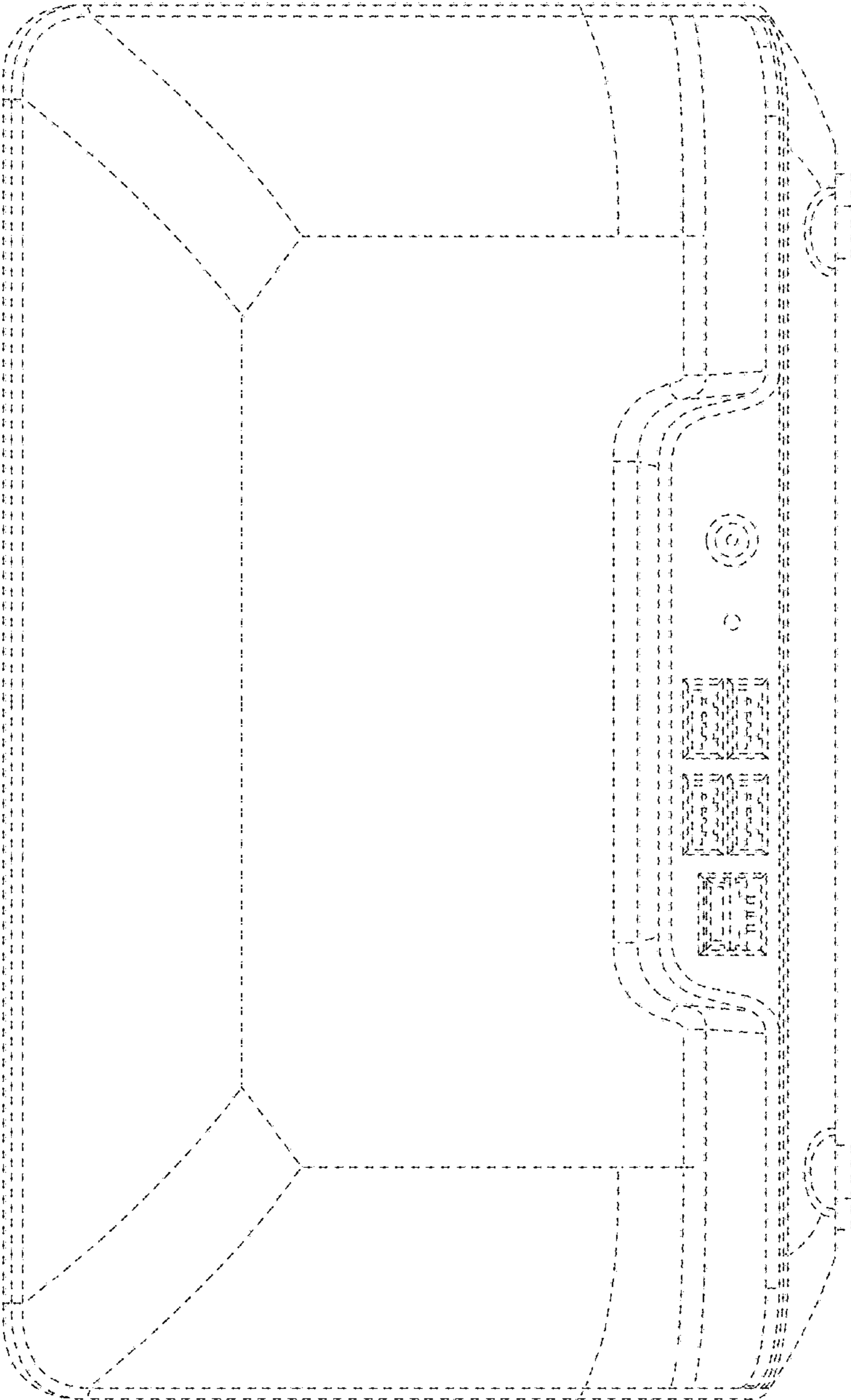


FIG. 3

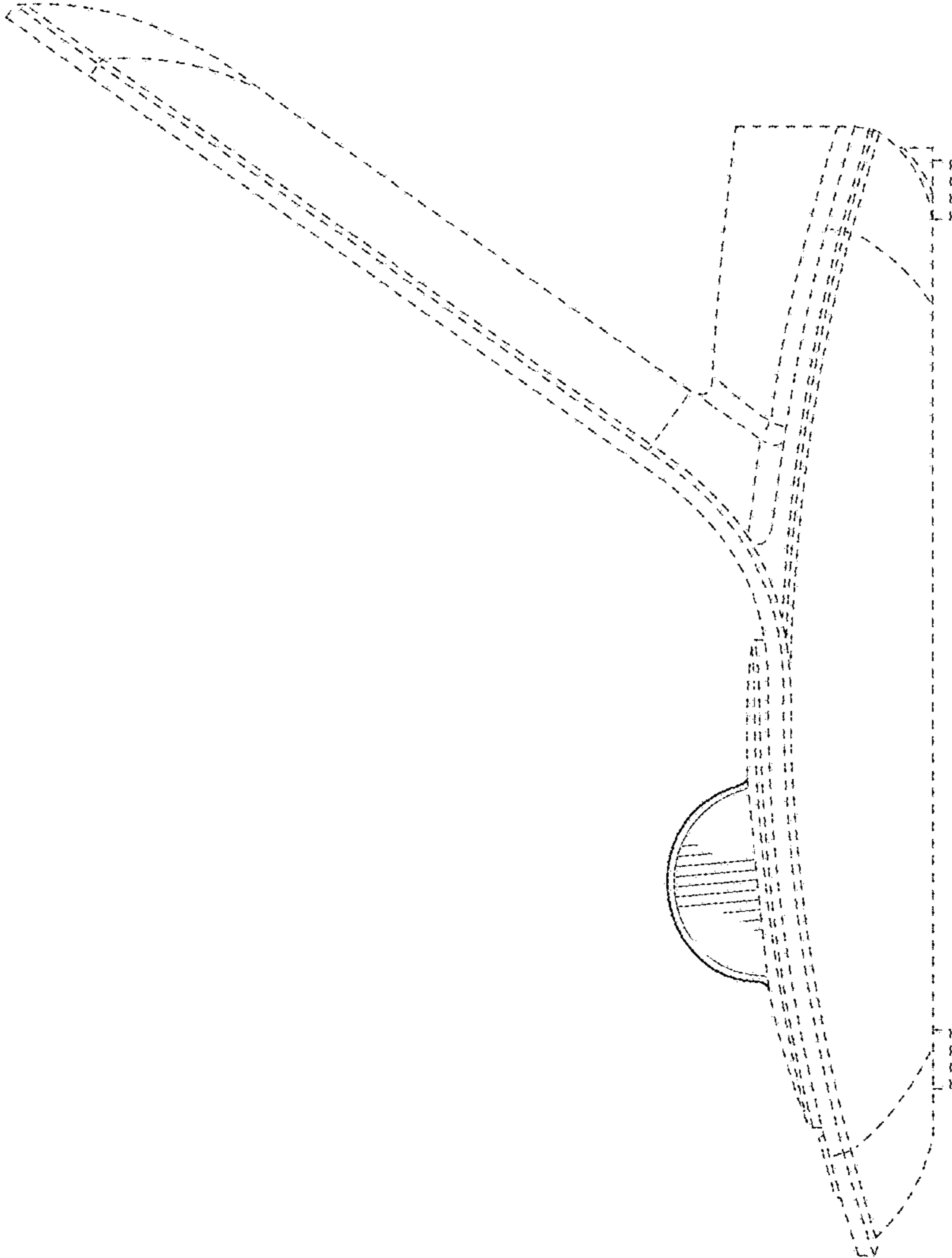


FIG. 4

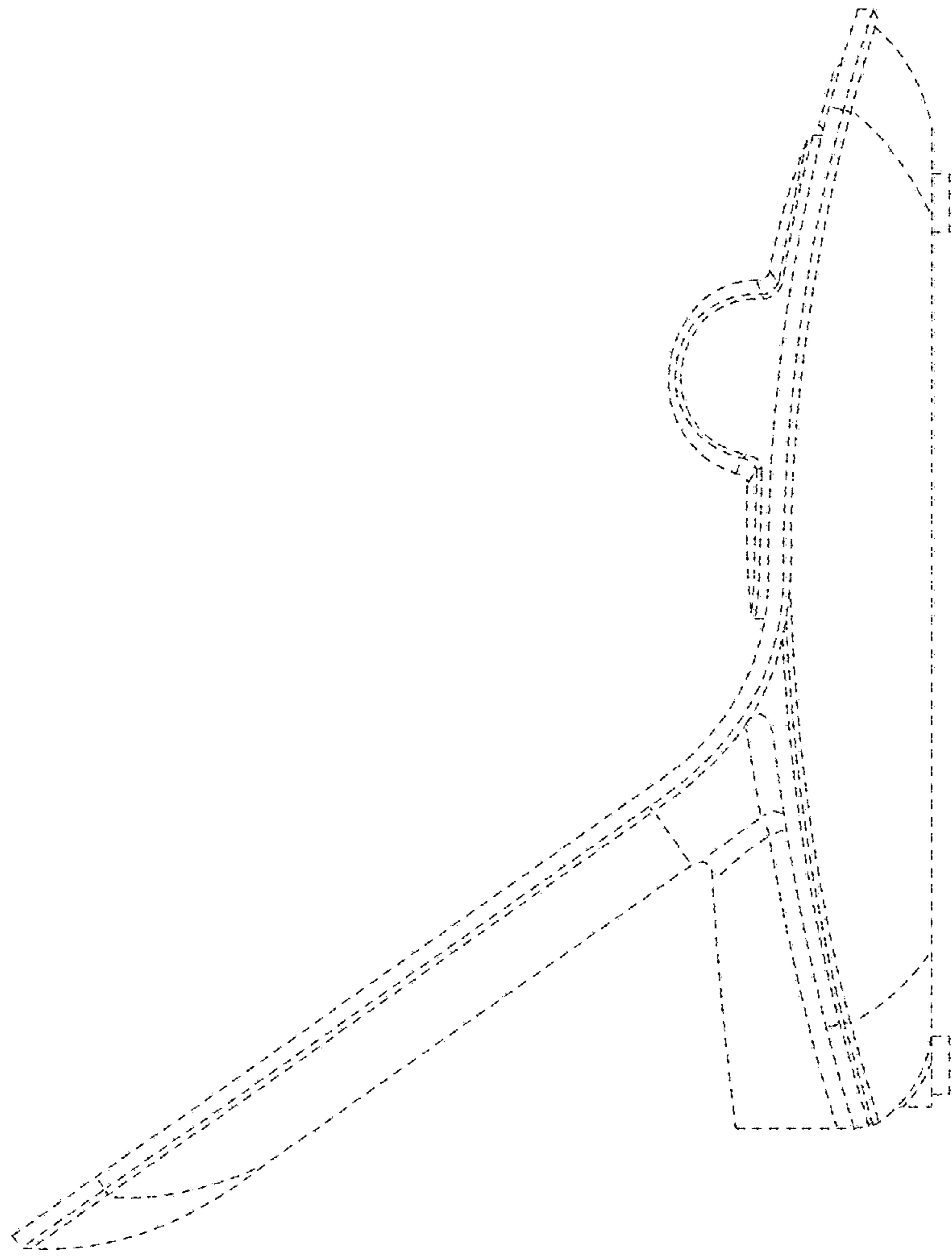


FIG. 5

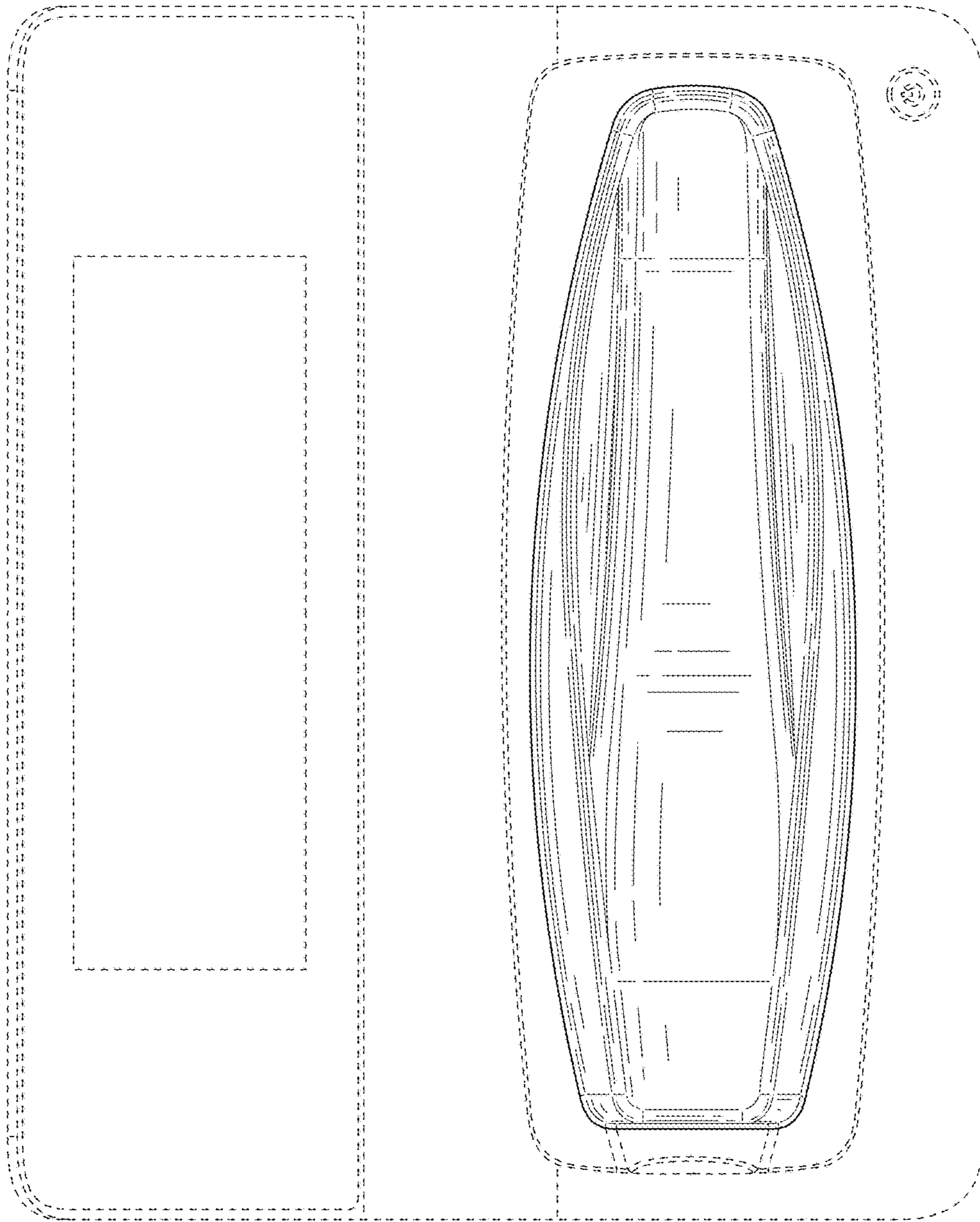


FIG. 6

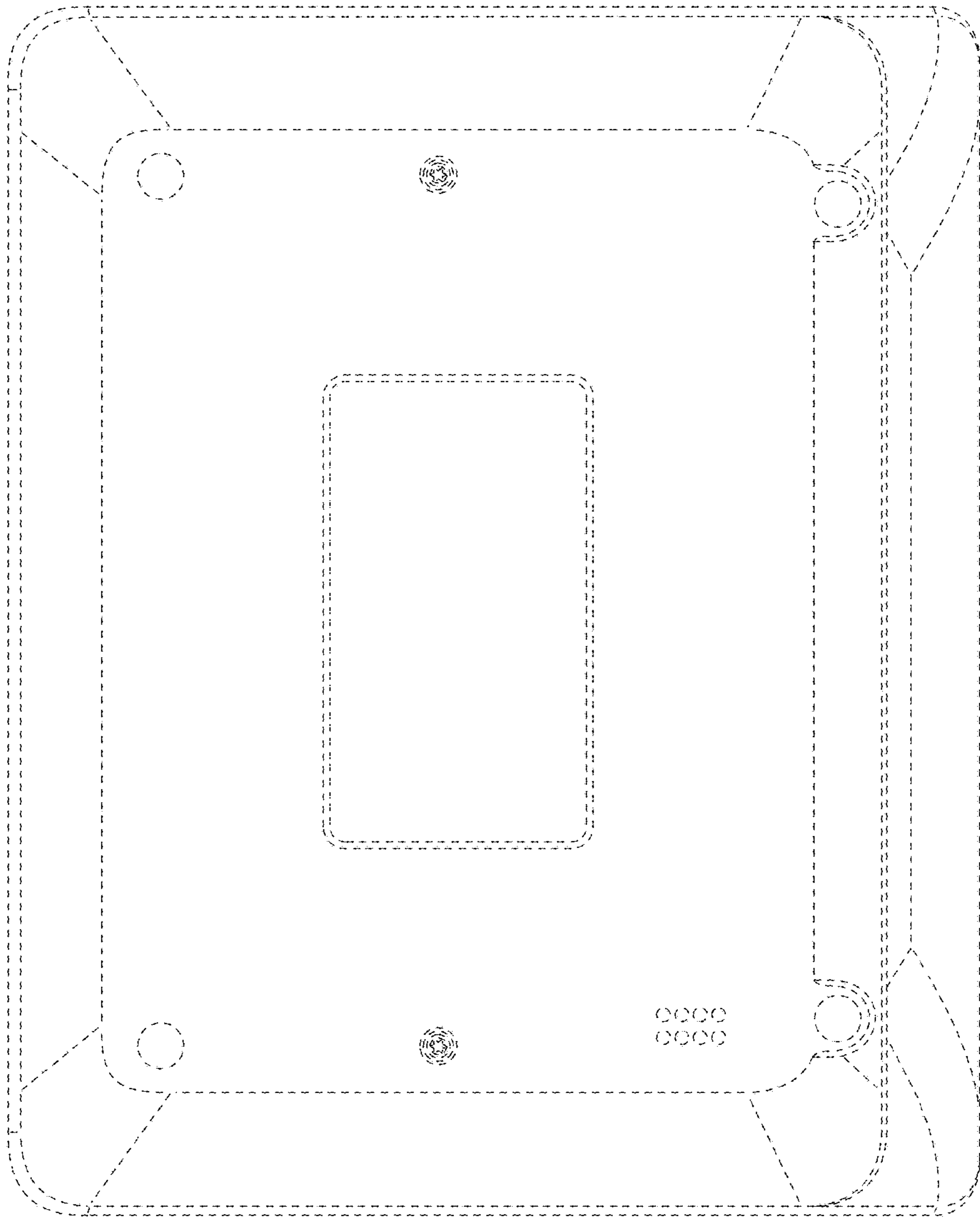


FIG. 7