



US00D865180S

(12) **United States Design Patent**
Bauer et al.

(10) **Patent No.:** **US D865,180 S**
(45) **Date of Patent:** **** Oct. 29, 2019**

(54) **DENTAL ALIGNER CASE**

(71) Applicant: **Align Technology, Inc.**, San Jose, CA (US)

(72) Inventors: **Laura Bauer**, Palomar Park, CA (US);
Lisa Weseley, San Jose, CA (US)

(73) Assignee: **Align Technology, Inc.**, San Jose, CA (US)

(**) Term: **15 Years**

(21) Appl. No.: **29/610,903**

(22) Filed: **Jul. 17, 2017**

(51) **LOC (12) Cl.** **24-02**

(52) **U.S. Cl.**
USPC **D24/176**

(58) **Field of Classification Search**
USPC D24/176-177, 180-181, 227, 229;
D3/201, 203.1, 203.3, 203.6, 203.7, 274,
D3/295; D9/428
CPC A61C 19/02; A61C 19/00; A61C 7/08;
A61C 7/16; B65D 43/164; B65D 43/169;
B65D 25/10; B65D 25/22; B65D 85/54
See application file for complete search history.

(56) **References Cited**

U.S. PATENT DOCUMENTS

| | | | | |
|----------------|---------|---------------|-------|-------------|
| D315,954 S * | 4/1991 | Berland | | D24/176 |
| D457,638 S * | 5/2002 | Alstad | | D24/176 |
| D480,864 S * | 10/2003 | Sayers | | D3/203.1 |
| 6,824,006 B2 * | 11/2004 | Lambelet, Jr. | | B65D 43/164 |
| | | | | 16/361 |
| 9,351,808 B2 * | 5/2016 | McCarthy | | A61C 7/08 |

(Continued)

OTHER PUBLICATIONS

Invisalign Aligner Magnetic Retainer Case Box Align Tech Black Magnetic. Retrieved on Jan. 24, 2019. Retrieved from the Internet: <[www. https://www.ebay.com/i/113545953380?chn=ps](https://www.ebay.com/i/113545953380?chn=ps)>.*

Primary Examiner — Wan Laymon

(74) *Attorney, Agent, or Firm* — Shay Glenn LLP

(57) **CLAIM**

The ornamental design for a dental aligner case, as shown and described.

DESCRIPTION

FIG. 1 is a top perspective view of a dental aligner case in a closed configuration.

FIG. 2 is a front view of the dental aligner case shown in FIG. 1.

FIG. 3 is a back view of the dental aligner case shown in FIG. 1.

FIG. 4 is a top view of the dental aligner case shown in FIG. 1.

FIG. 5 is a bottom view of the dental aligner case shown in FIG. 1.

FIG. 6 is a left side view of the dental aligner case shown in FIG. 1.

FIG. 7 is a right side view of the dental aligner case shown in FIG. 1.

FIG. 8 is a top perspective view of a dental aligner case such as the one shown in FIG. 1 in an open configuration.

FIG. 9 is a front view of the dental aligner case shown in FIG. 8.

FIG. 10 is a back view of the dental aligner case shown in FIG. 8.

FIG. 11 is a top view of the dental aligner case shown in FIG. 8.

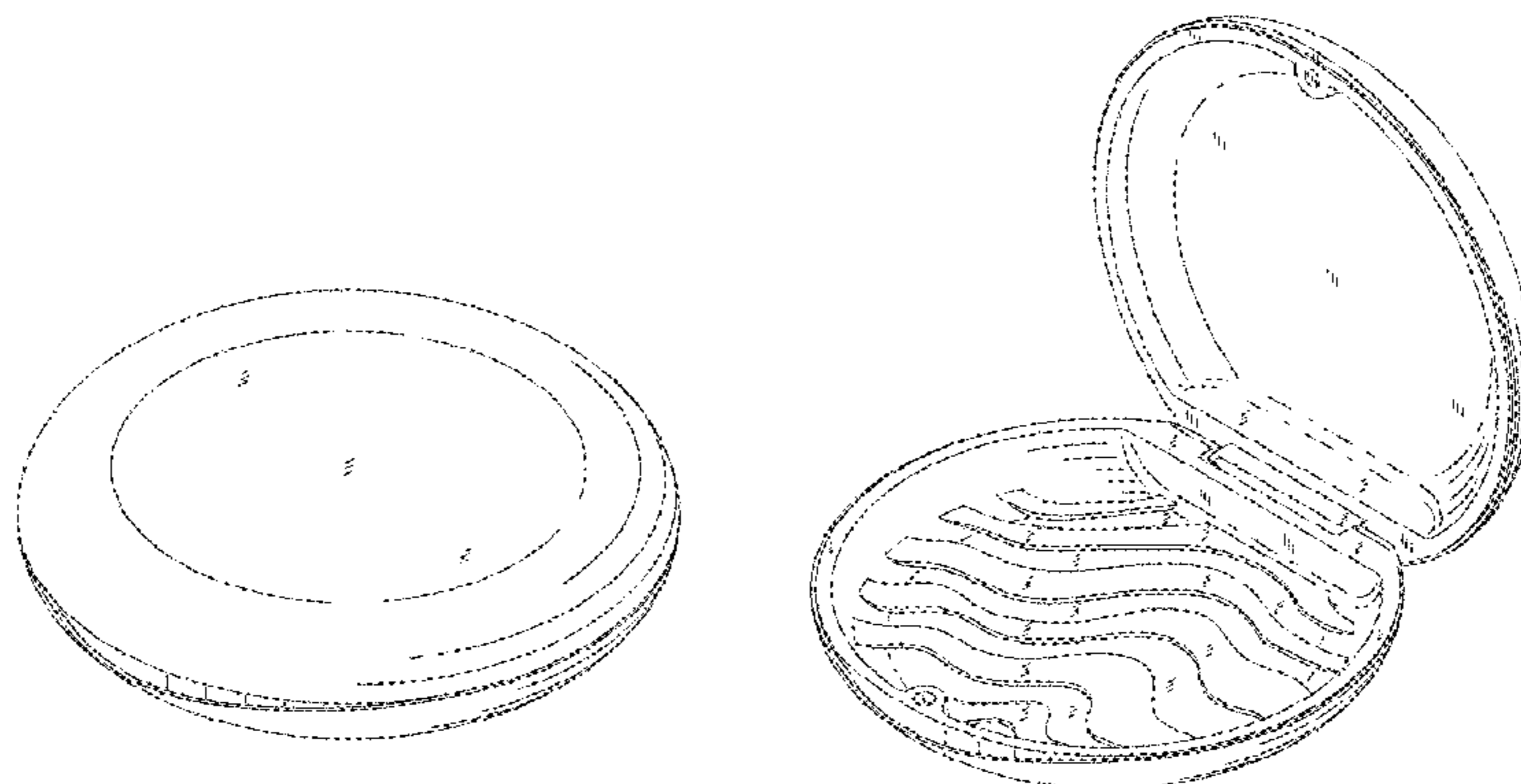
FIG. 12 is a bottom view of the dental aligner case shown in FIG. 8.

FIG. 13 is a left side view of the dental aligner case shown in FIG. 8; and,

FIG. 14 is a right side view of the dental aligner case shown in FIG. 8.

In the drawings, the broken lines depict environmental subject matter only and form no part of the claimed design.

1 Claim, 14 Drawing Sheets



(56)

References Cited

U.S. PATENT DOCUMENTS

9,980,799 B2 * 5/2018 Wilson A61C 19/02
2004/0244805 A1 * 12/2004 Cook B65D 43/164
128/859
2008/0283422 A1 * 11/2008 Jansheski B65D 43/164
206/63.5

* cited by examiner

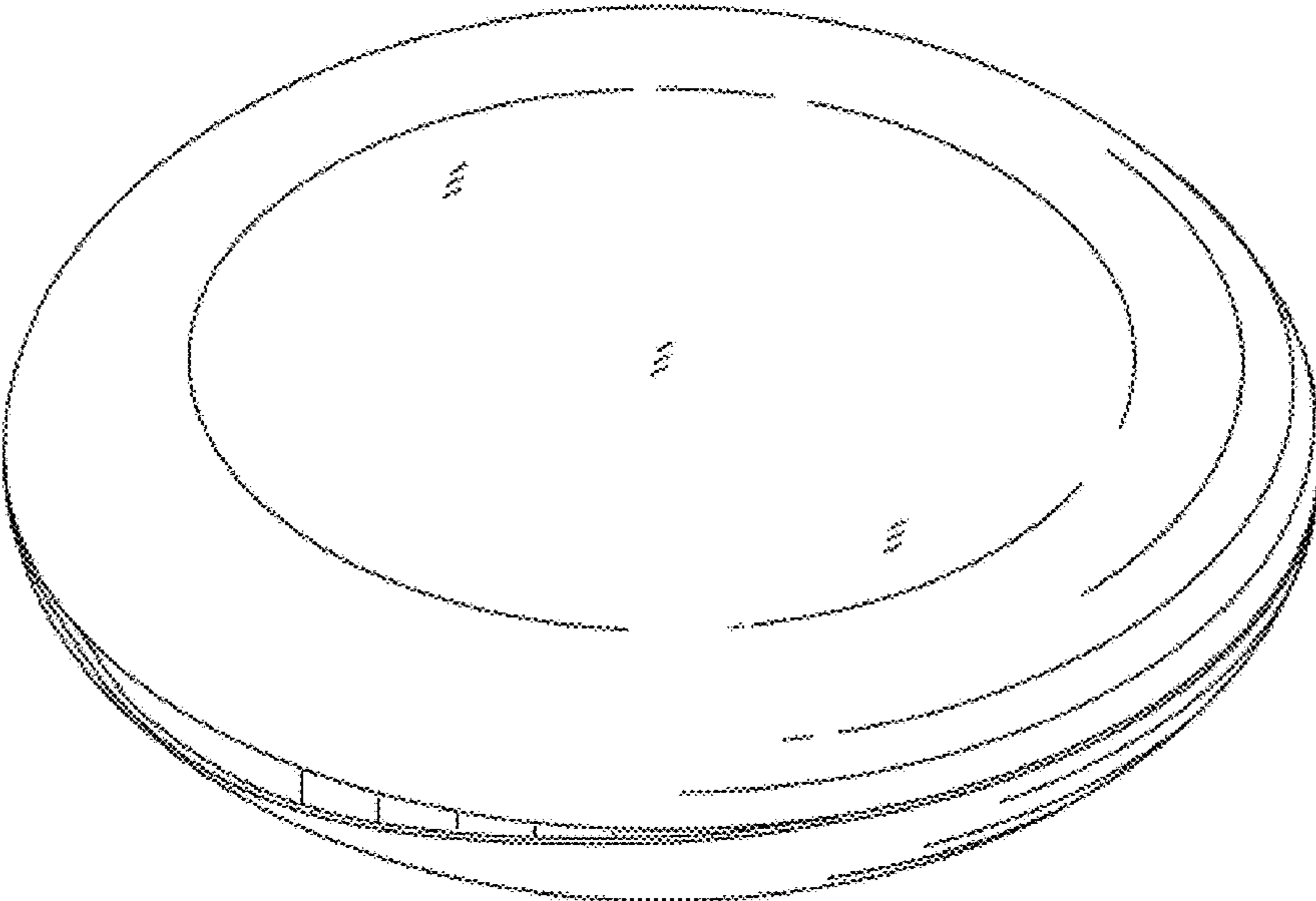


FIG. 1

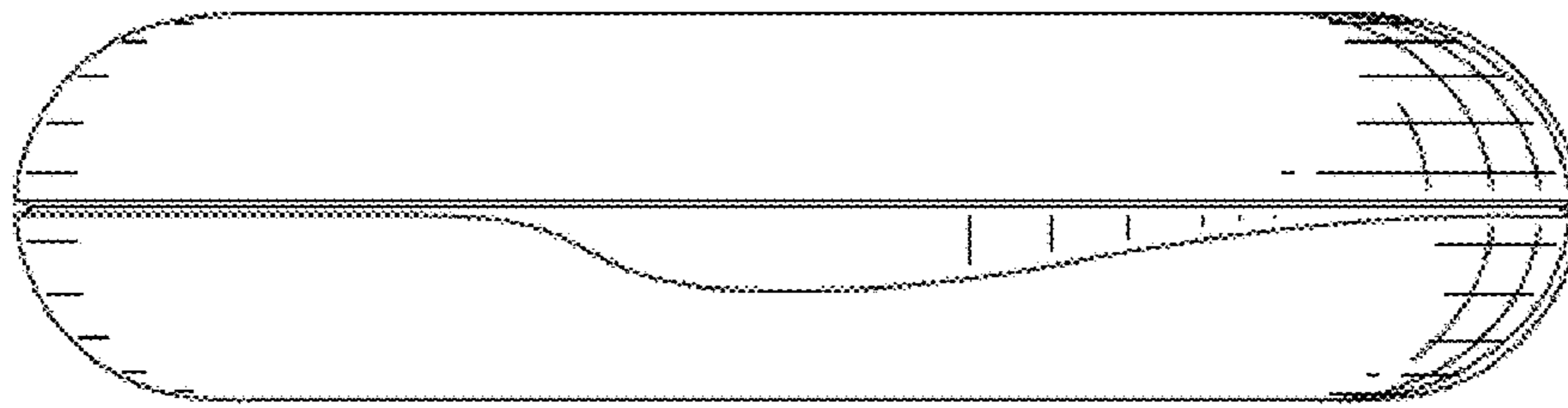


FIG. 2

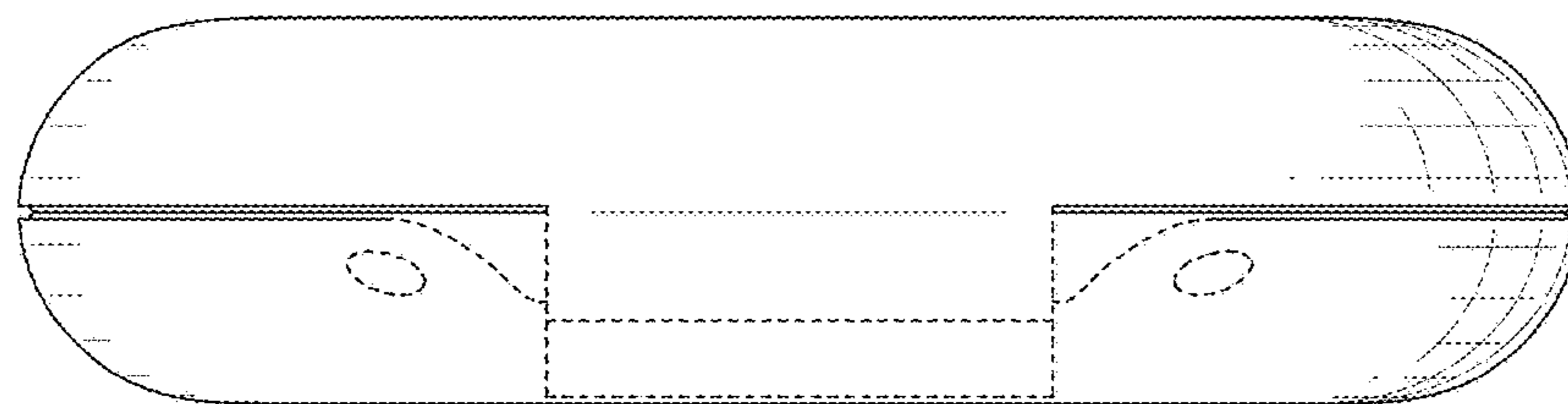


FIG. 3

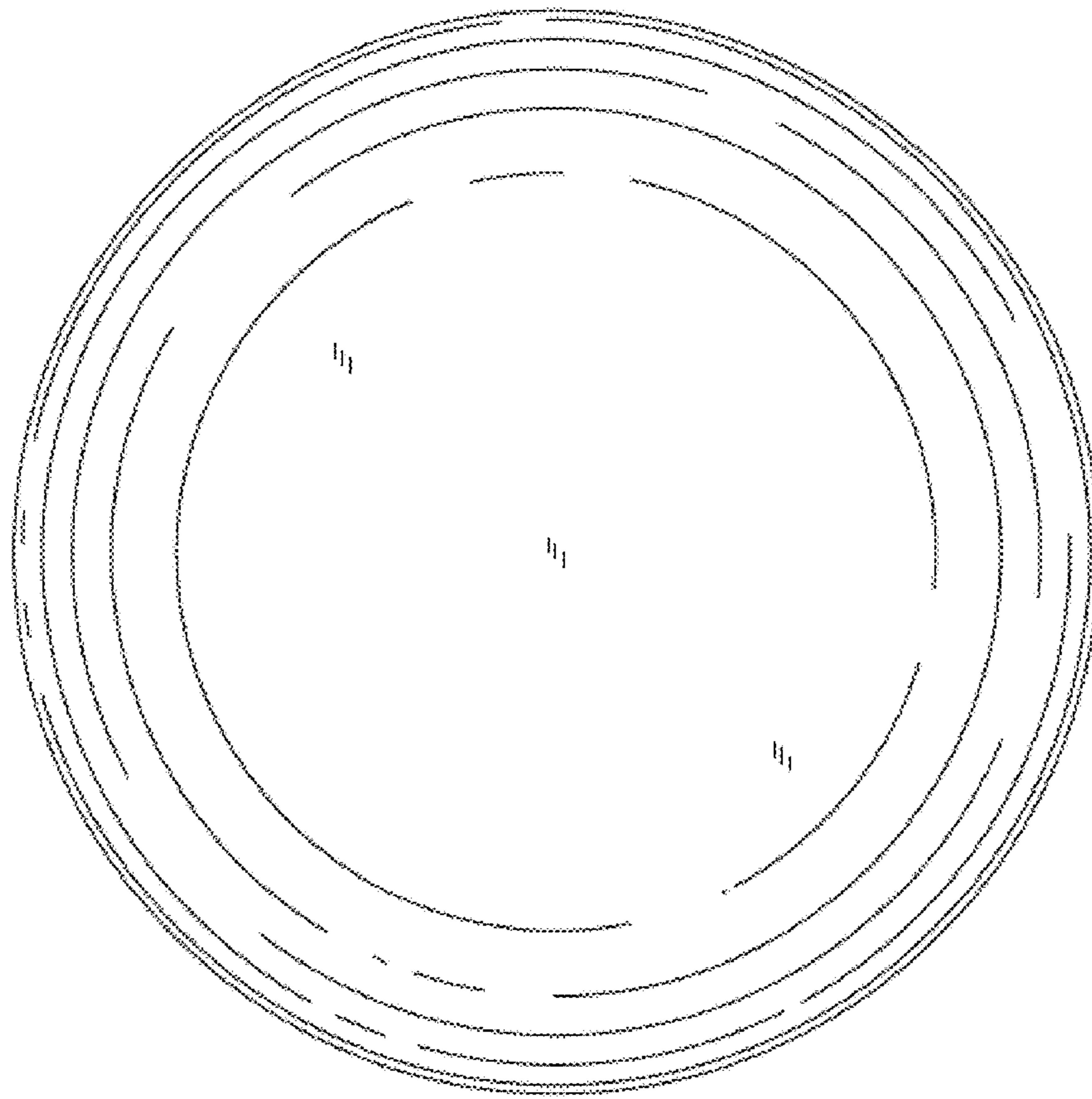


FIG. 4

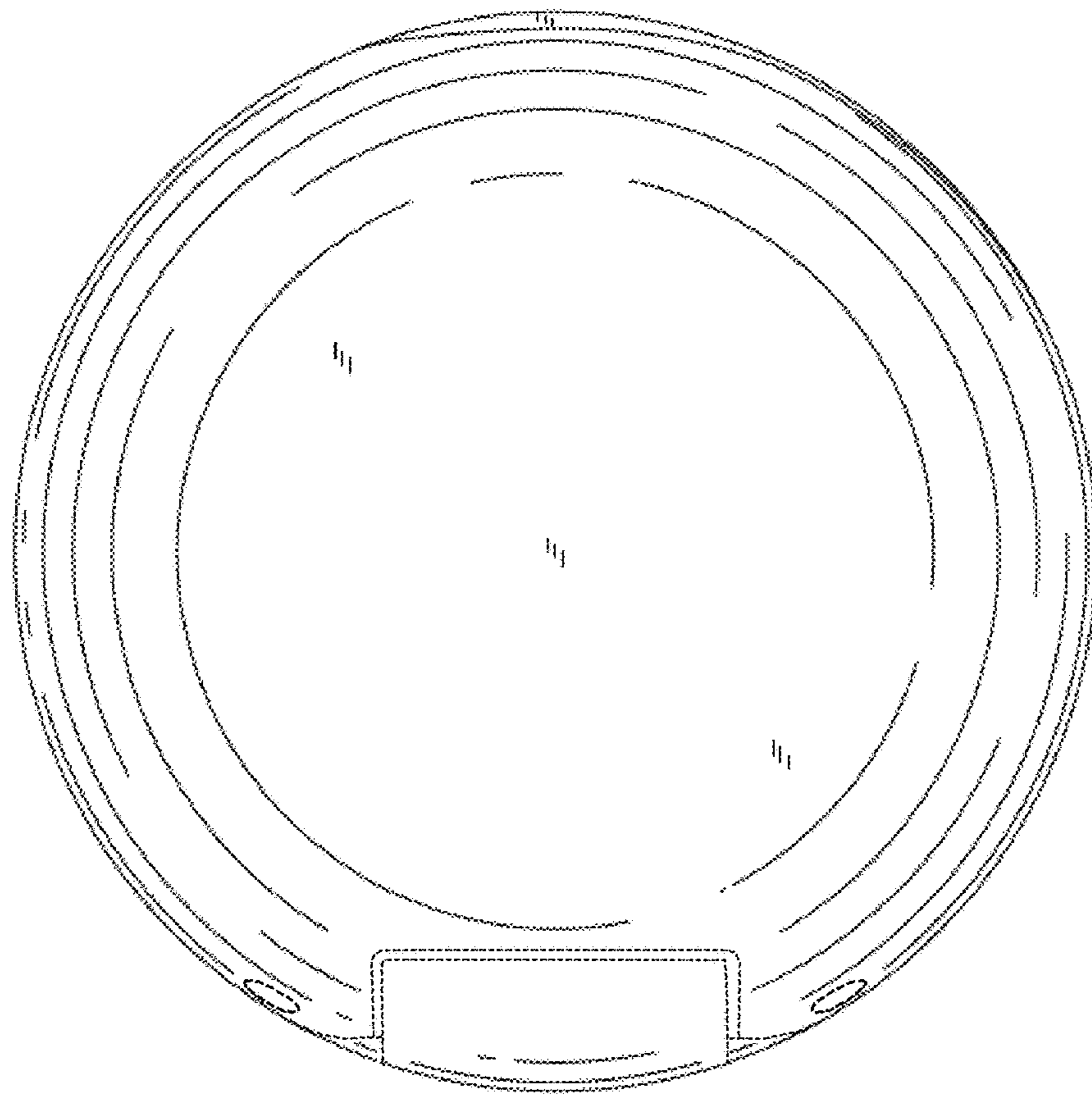


FIG. 5

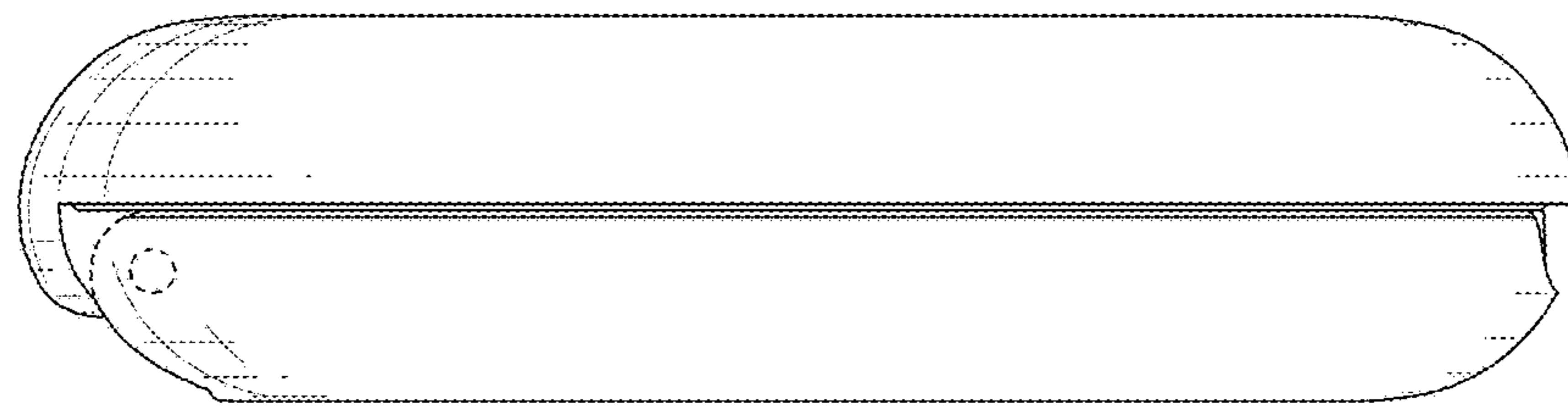


FIG. 6

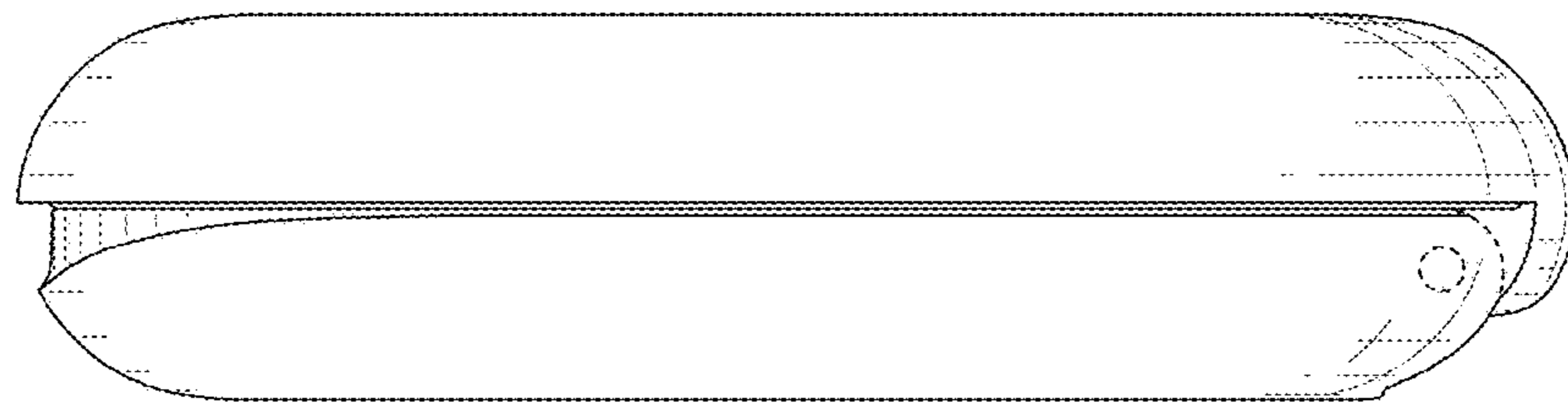


FIG. 7

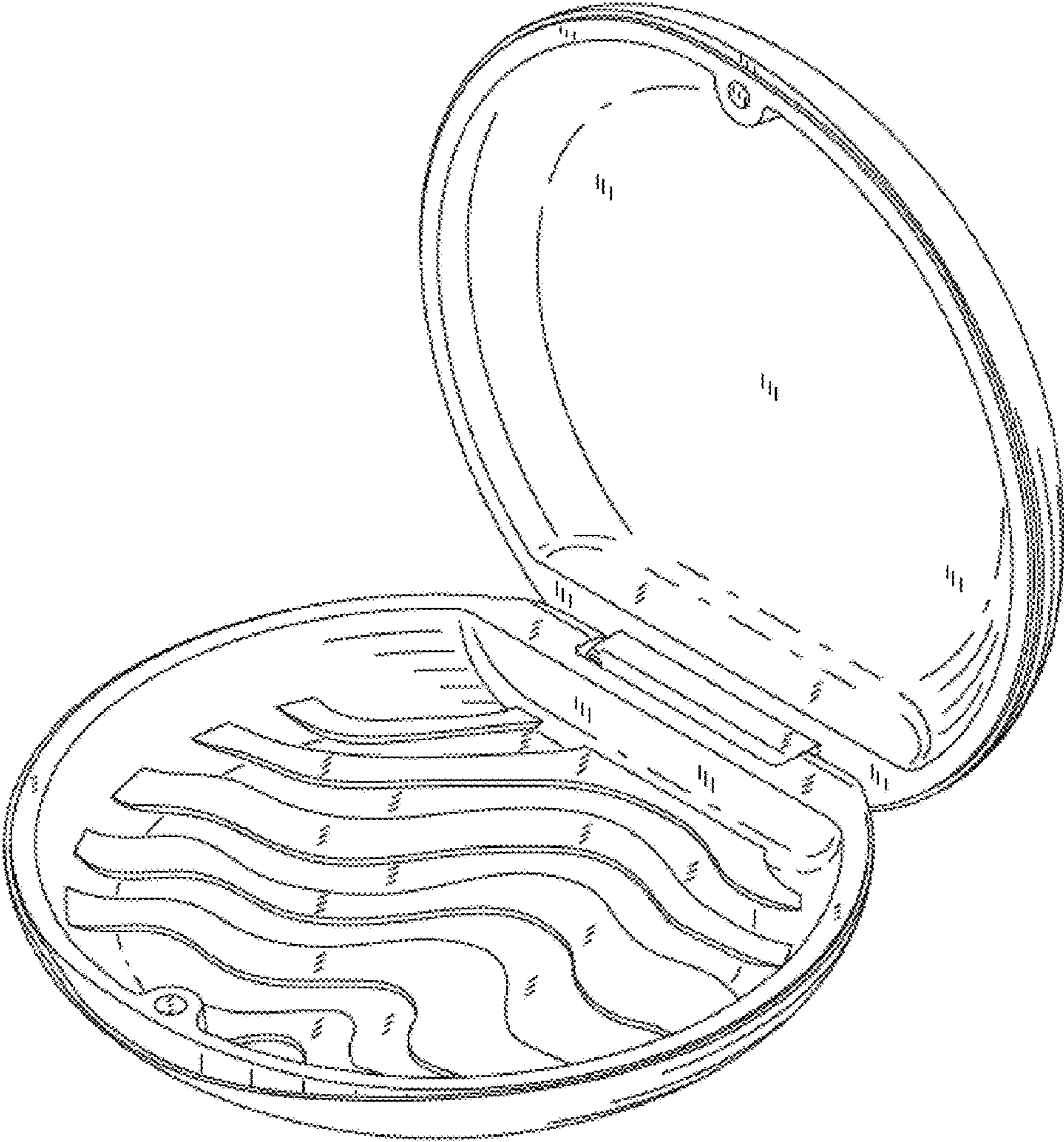


FIG. 8

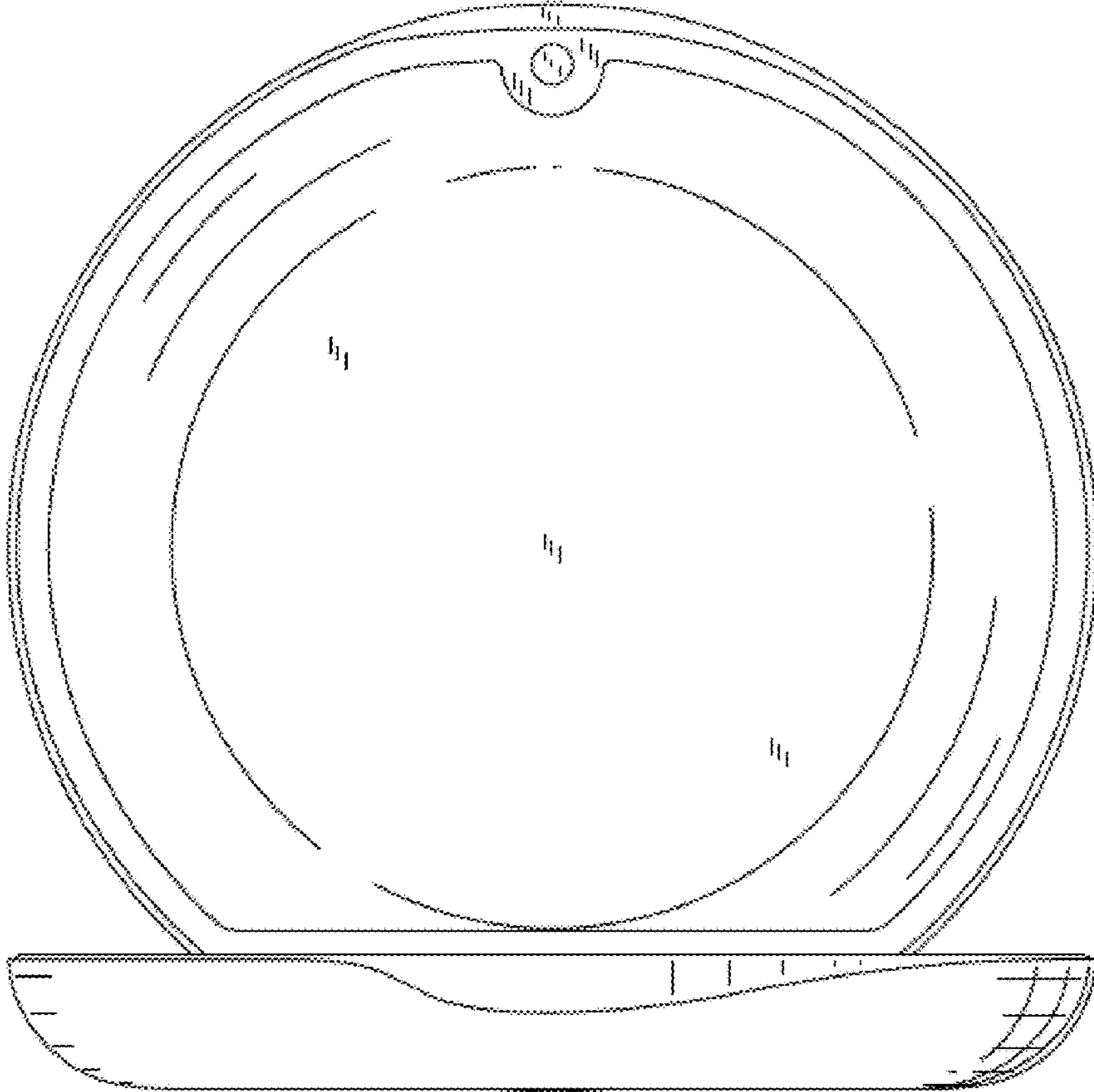


FIG. 9

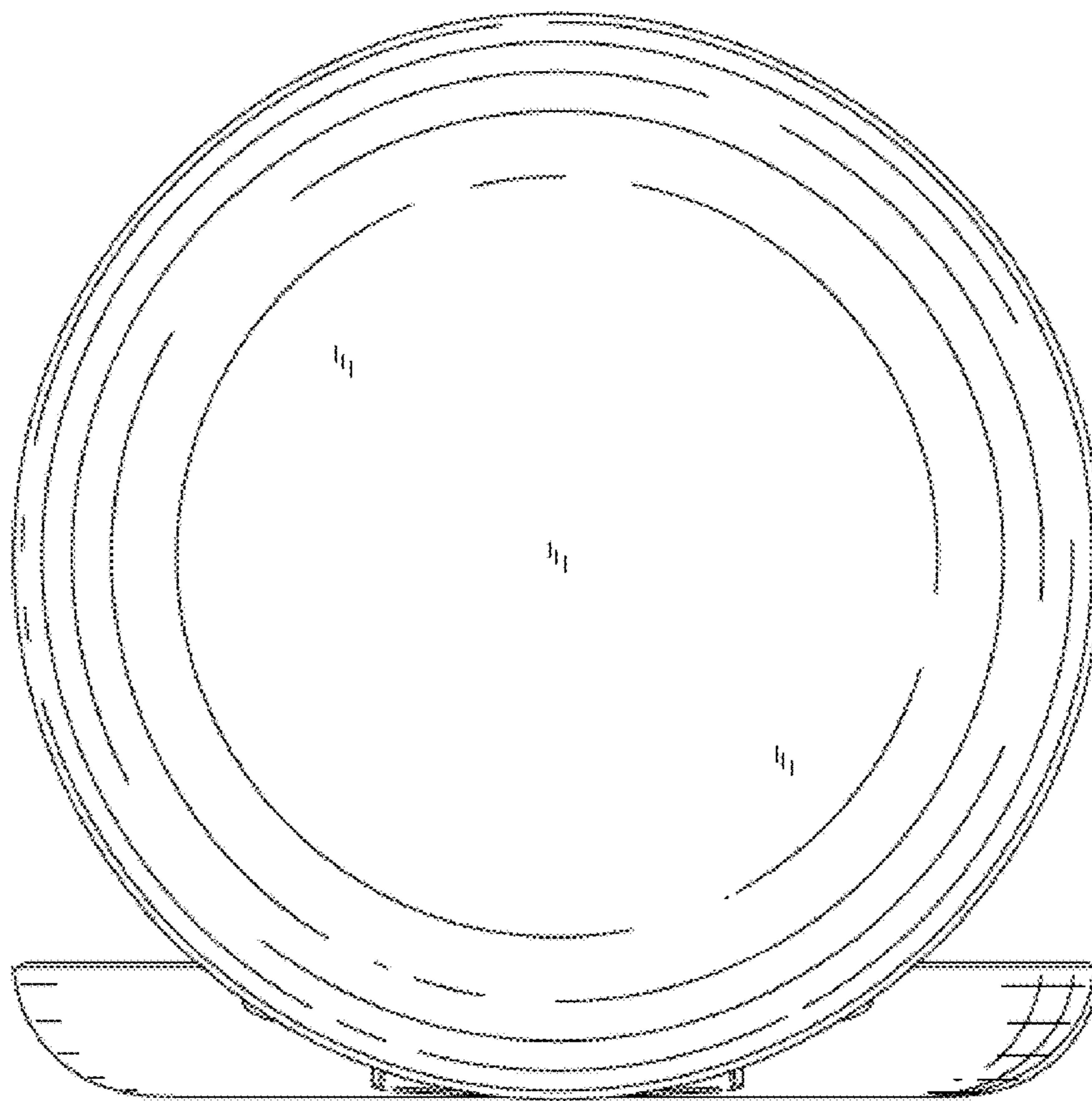


FIG. 10

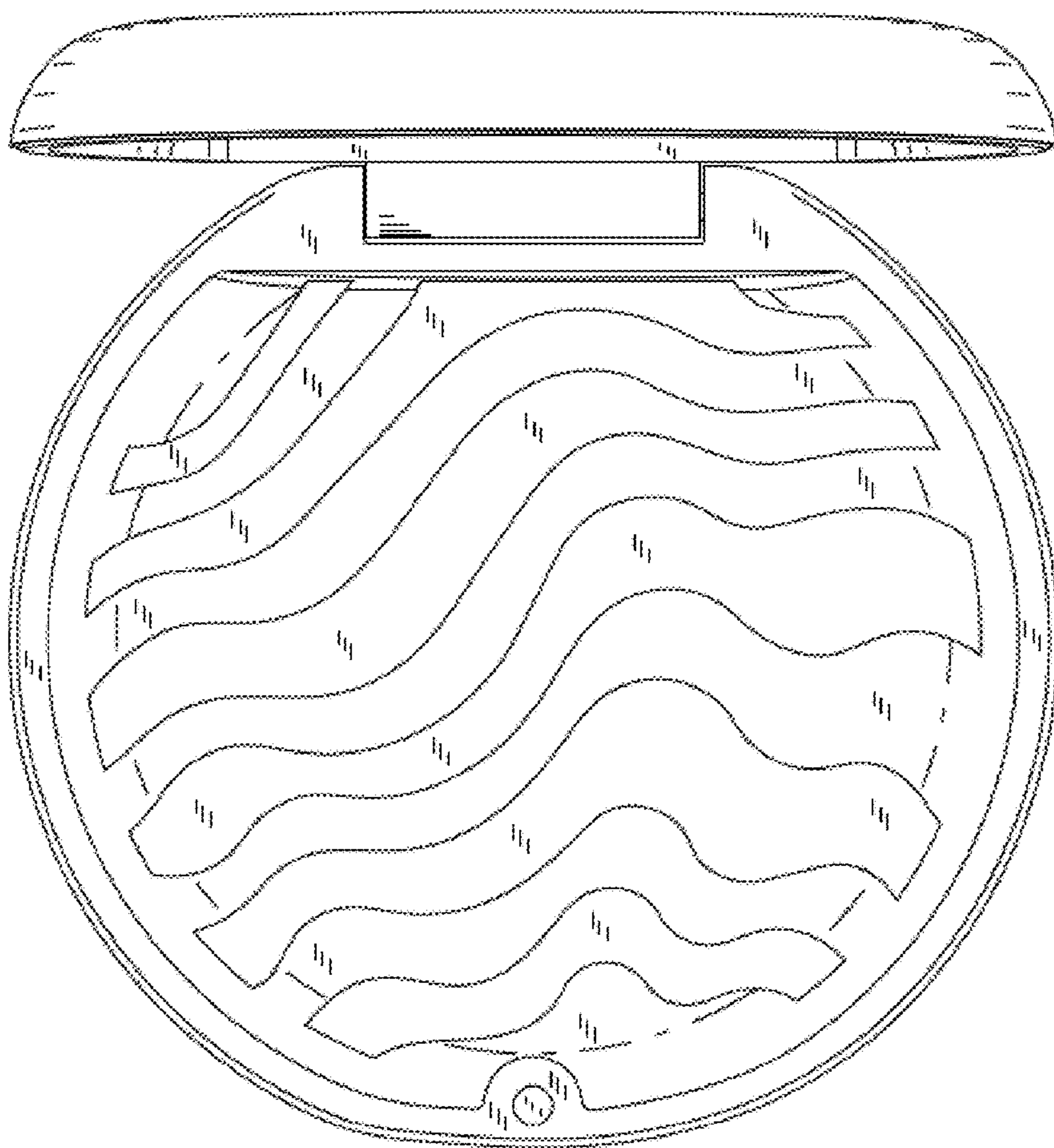


FIG. 11

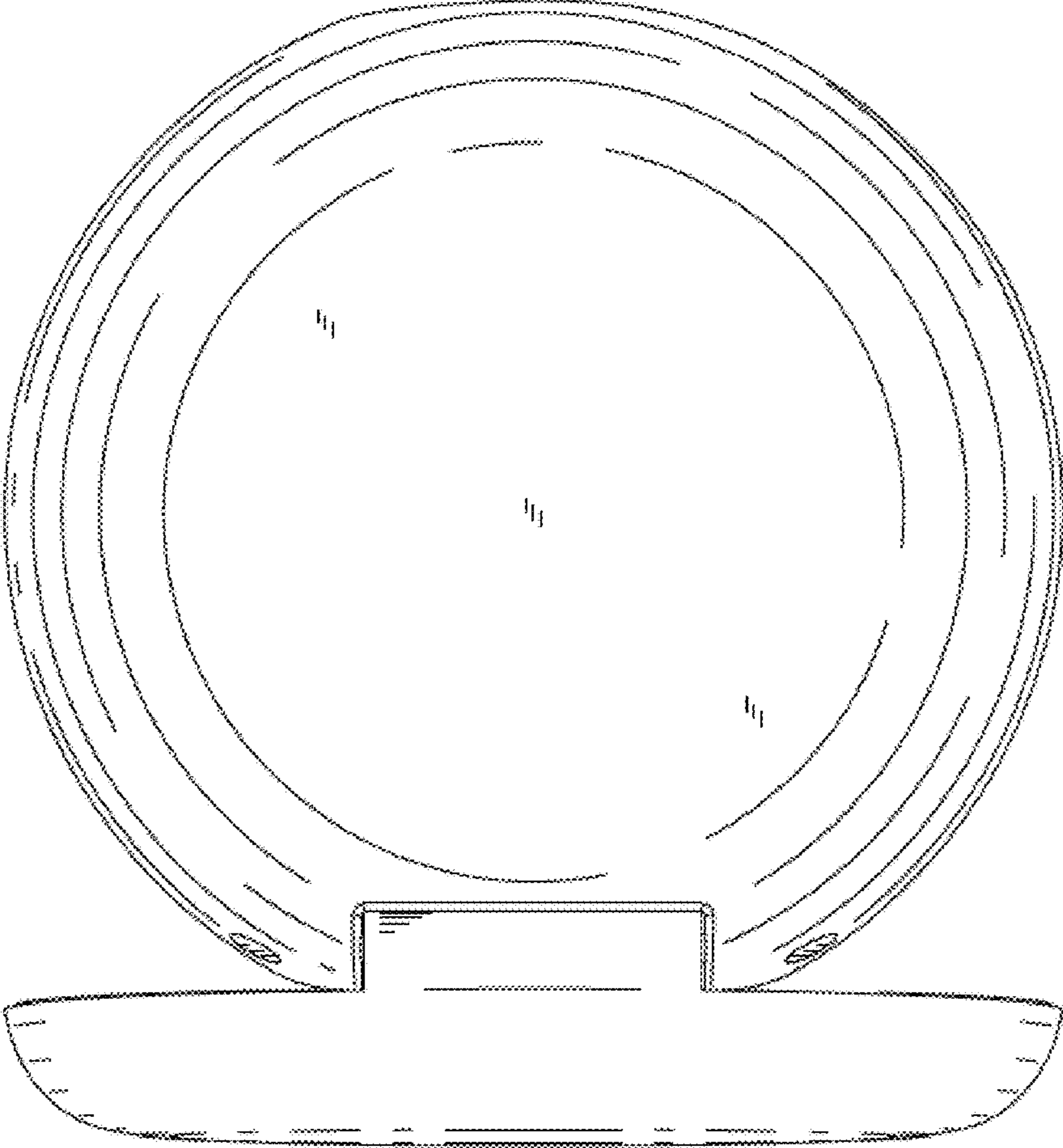


FIG. 12

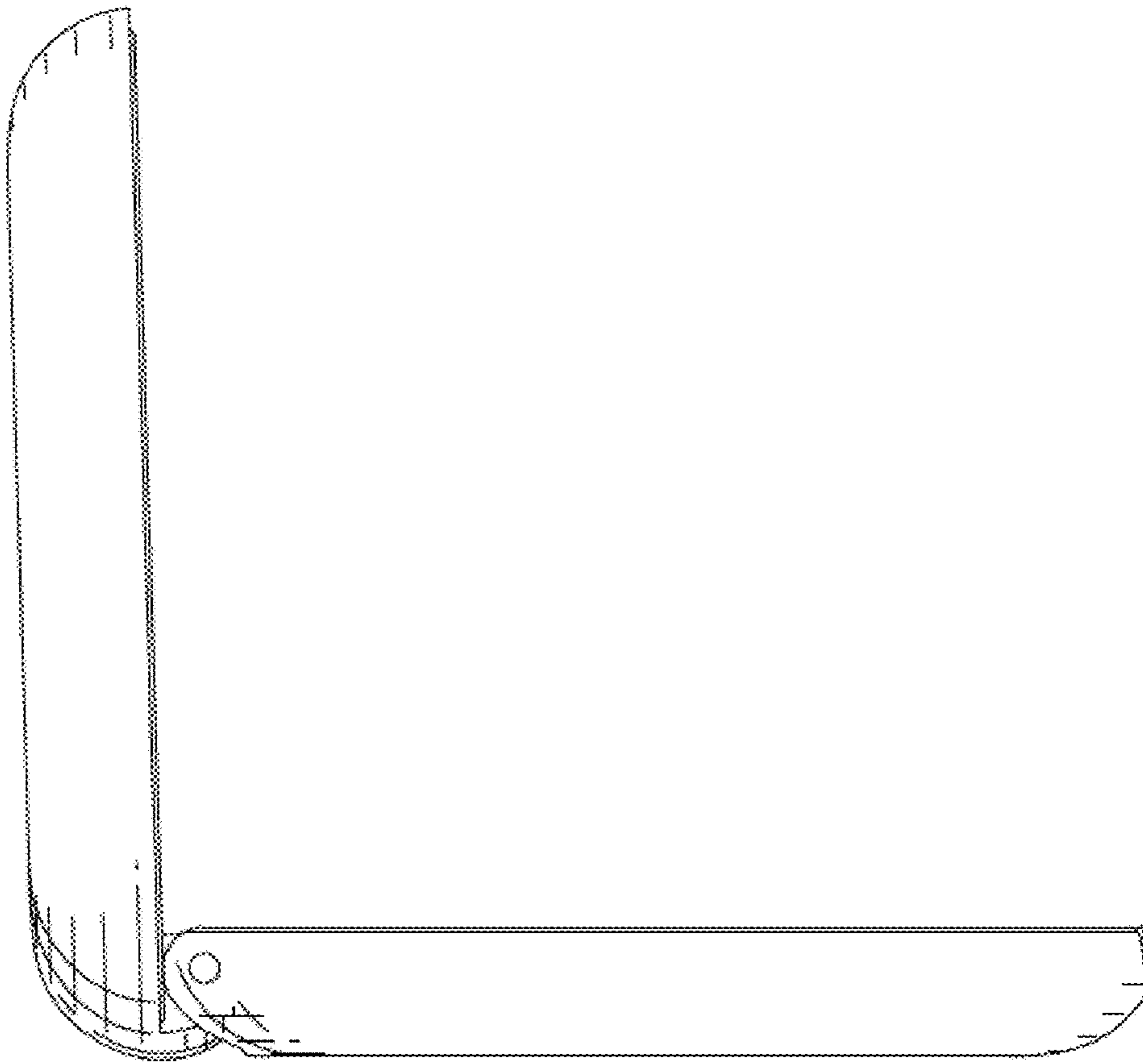


FIG. 13

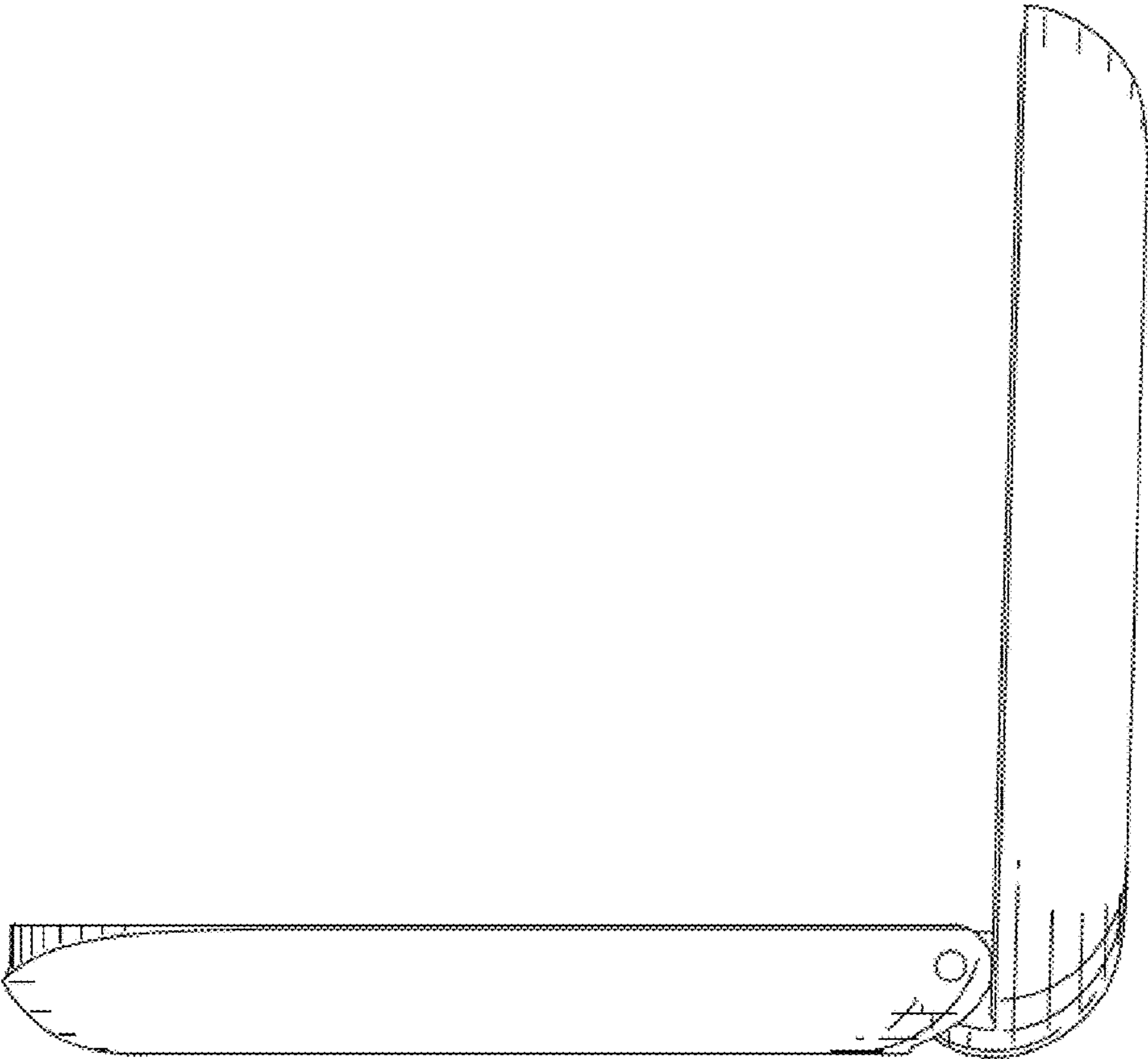


FIG. 14

UNITED STATES PATENT AND TRADEMARK OFFICE
CERTIFICATE OF CORRECTION

PATENT NO. : D865,180 S
APPLICATION NO. : 29/610903
DATED : October 29, 2019
INVENTOR(S) : Laura Bauer et al.

Page 1 of 1

It is certified that error appears in the above-identified patent and that said Letters Patent is hereby corrected as shown below:

On the Title Page

Item (72) Inventors are corrected to read:

Laura Bauer, Palomar Park, CA (US);

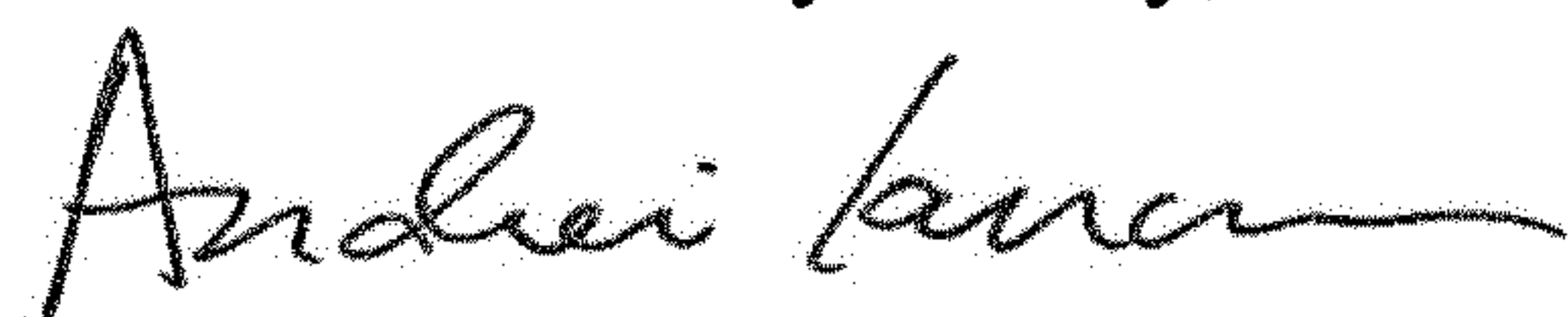
Lisa Weseley, San Jose, CA (US);

Anita Mathew, San Jose, CA (US);

Paul Kimball, Campbell, CA (US);

Eric J. Price, San Jose, CA (US)

Signed and Sealed this
Fourteenth Day of July, 2020



Andrei Iancu
Director of the United States Patent and Trademark Office