



US00D865178S

(12) **United States Design Patent** (10) **Patent No.:** **US D865,178 S**  
**Sammarco et al.** (45) **Date of Patent:** **\*\* Oct. 29, 2019**

(54) **ORTHOPEdic CLIP**  
(71) Applicants: **Vincent James Sammarco**, Cincinnati, OH (US); **Raymond Penzimer**, Morristown, NJ (US)  
(72) Inventors: **Vincent James Sammarco**, Cincinnati, OH (US); **Raymond Penzimer**, Morristown, NJ (US)

(\*\*) Term: **15 Years**  
(21) Appl. No.: **29/606,313**

(22) Filed: **Jun. 2, 2017**  
(51) **LOC (12) Cl.** ..... **24-03**  
(52) **U.S. Cl.**  
USPC ..... **D24/155**  
(58) **Field of Classification Search**  
USPC ..... D24/155-157, 170, 171  
CPC ..... A61B 17/7071; A61B 17/7073; A61B 17/7074; A61B 17/7076; A61B 17/7082; A61B 17/064; A61B 17/0642; A61B 17/809

See application file for complete search history.

(56) **References Cited**

**U.S. PATENT DOCUMENTS**

262,635	A *	8/1882	Adams	.....	F16B 15/0015
					411/457
D281,814	S *	12/1985	Pratt	.....	D24/145
6,616,669	B2 *	9/2003	Ogilvie	.....	A61B 17/0642
					606/279
D698,021	S *	1/2014	Nering	.....	D24/145
D705,930	S *	5/2014	Cheney	.....	D24/145
D728,104	S *	4/2015	Katchis	.....	D24/155
D777,329	S *	1/2017	Montoya	.....	D24/155

D780,311	S *	2/2017	Cheney	.....	D24/155
9,855,036	B2 *	1/2018	Palmer	.....	A61B 17/0642
10,105,134	B2 *	10/2018	Biedermann	.....	A61B 17/0642
2011/0029016	A1 *	2/2011	Yeung	.....	A61B 17/0401
					606/219
2013/0030438	A1 *	1/2013	Fox	.....	A61B 17/0642
					606/75
2014/0018809	A1 *	1/2014	Allen	.....	A61B 17/0642
					606/75
2014/0276830	A1 *	9/2014	Cheney	.....	A61B 17/0642
					606/75
2015/0094765	A1 *	4/2015	Donner	.....	A61B 17/1735
					606/246
2016/0199113	A1 *	7/2016	Penzimer	.....	A61B 17/0642
					606/304

\* cited by examiner

*Primary Examiner* — Anhdao Doan  
*Assistant Examiner* — Mary Shannon Malley  
(74) *Attorney, Agent, or Firm* — Kelley Drye & Warren LLP

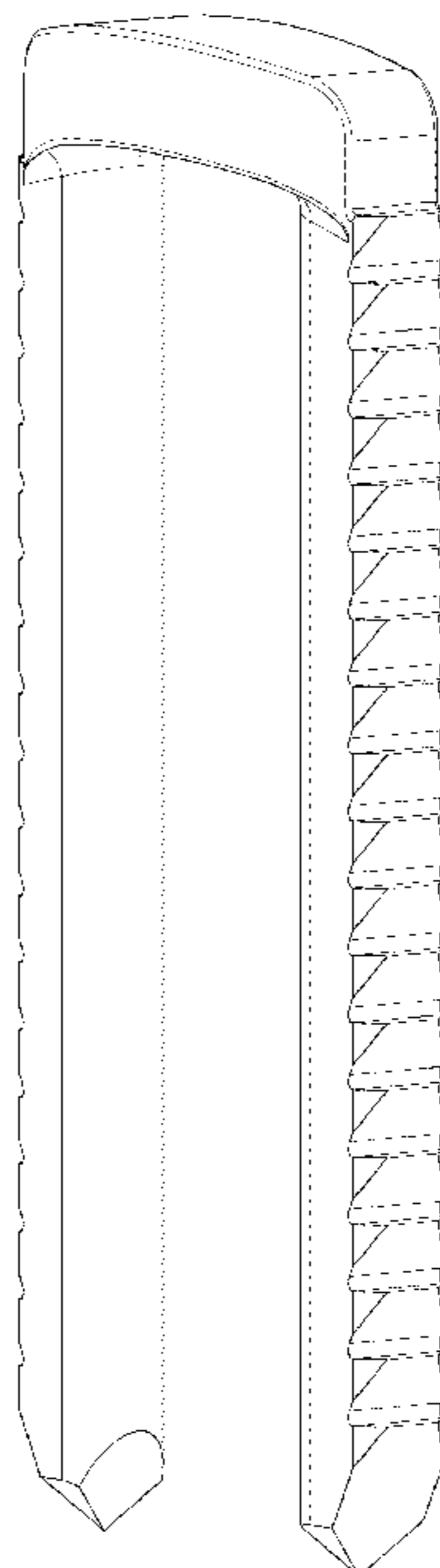
(57) **CLAIM**

The ornamental design for an orthopedic clip, as shown and described.

**DESCRIPTION**

FIG. 1 is a perspective view of an orthopedic clip in accordance with the present invention; FIG. 2 is a front view thereof; FIG. 3 is a right side view thereof; FIG. 4 is a back view thereof; FIG. 5 is a left side view thereof; FIG. 6 is a top view thereof; and, FIG. 7 is a bottom view thereof.

**1 Claim, 6 Drawing Sheets**



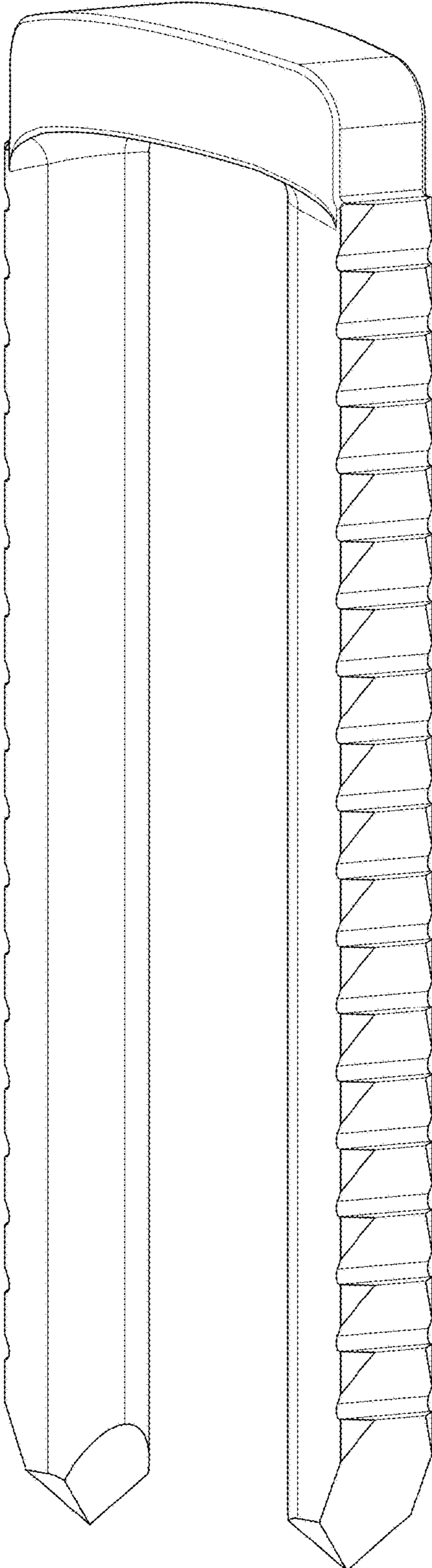


FIG. 1

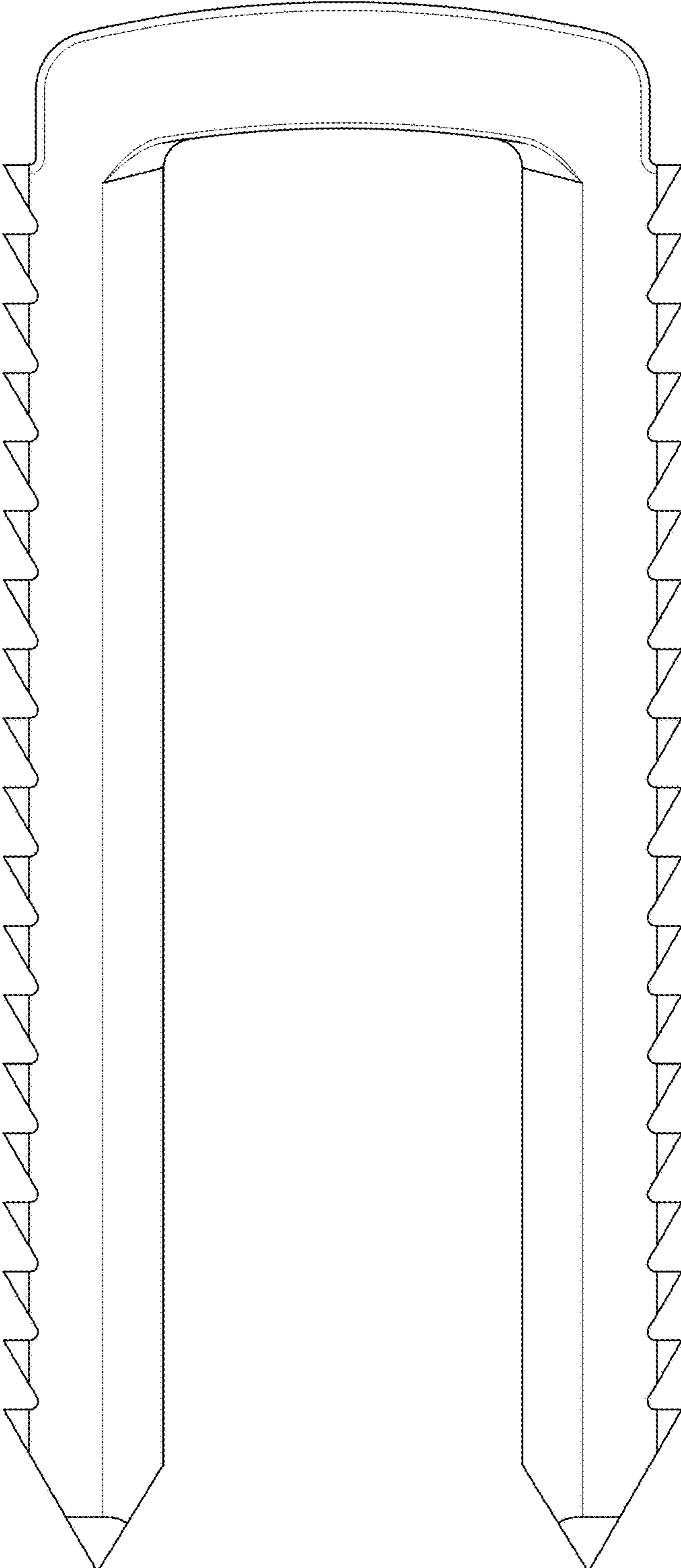


FIG. 2

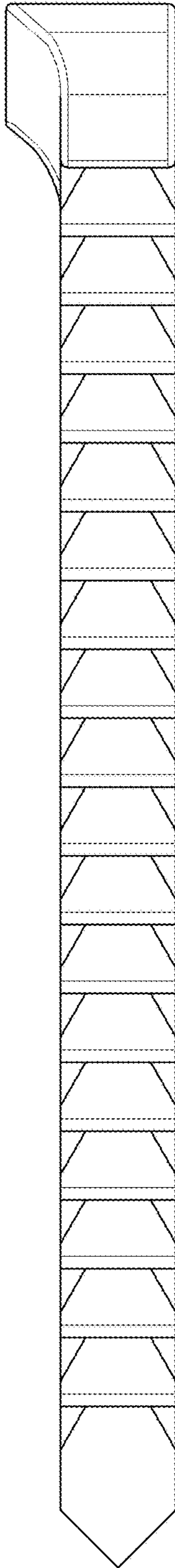


FIG. 3

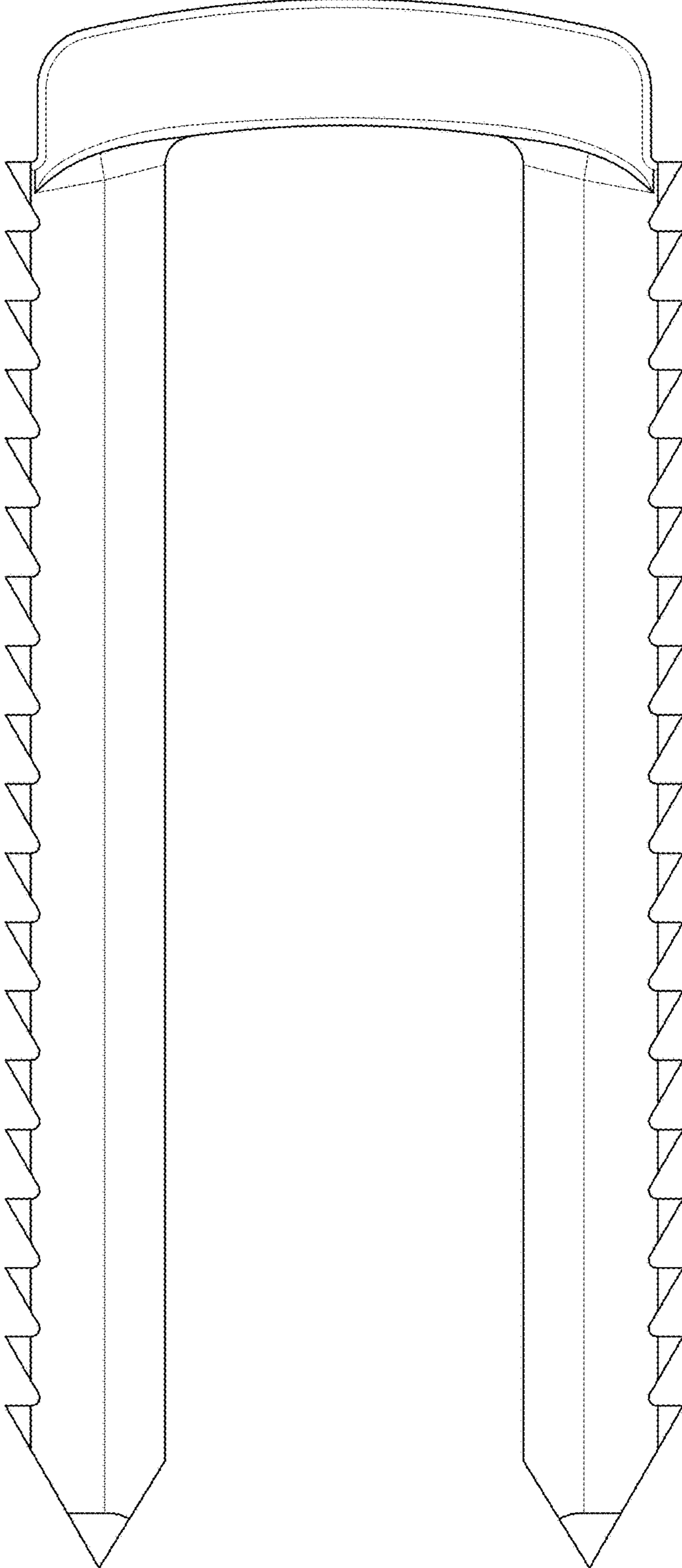


FIG.4

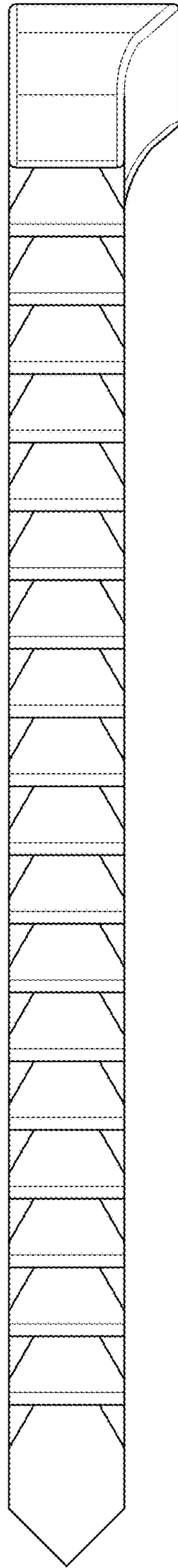


FIG. 5

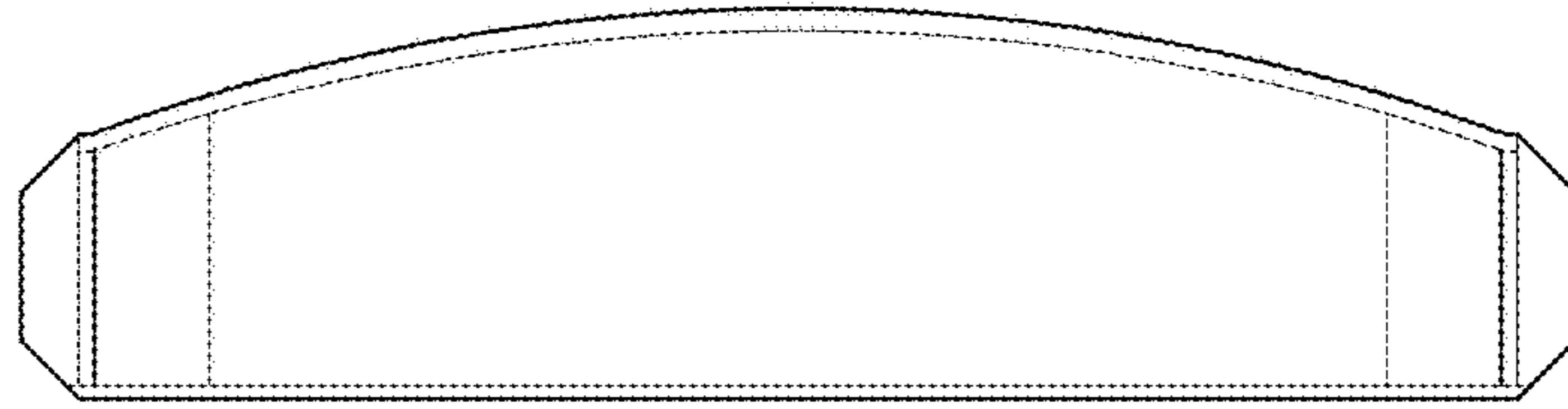


FIG. 6

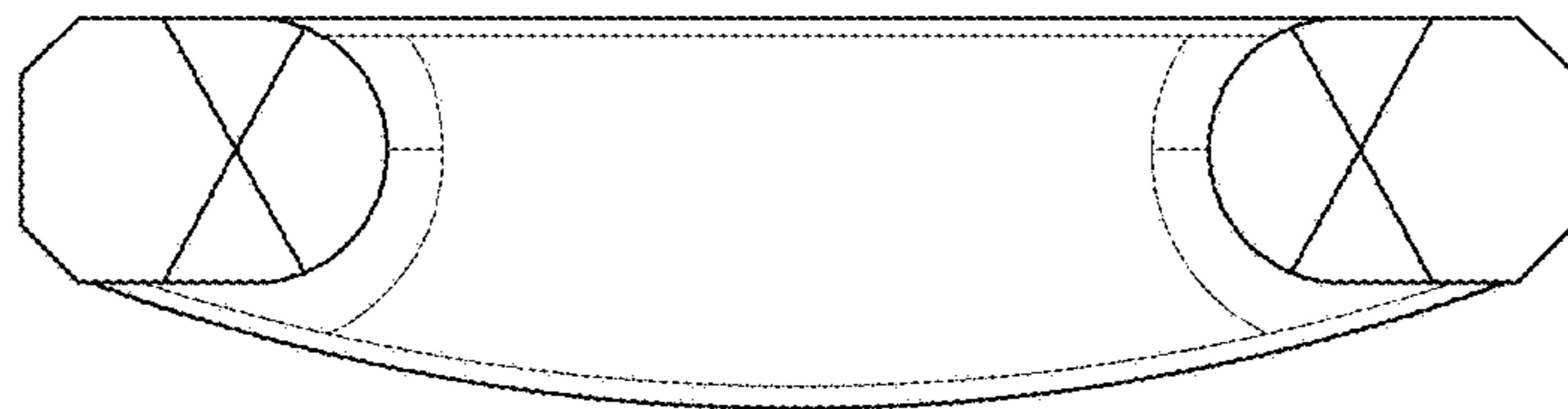


FIG. 7