



US00D865177S

(12) **United States Design Patent**
Liu

(10) **Patent No.:** **US D865,177 S**
(45) **Date of Patent:** **** Oct. 29, 2019**

- (54) **ELECTRIC DENTAL CLEANER**
- (71) Applicant: **YJK Technology (Shenzhen) Co., limited.**, Shenzhen, Guangdong (CN)
- (72) Inventor: **Jiangfan Liu**, Hunan (CN)
- (73) Assignee: **YJK Technology (Shenzhen) Co., limited.**, Shenzhen (CN)

D490,899 S *	6/2004	Gagnon	D24/152
D492,996 S *	7/2004	Rehkemper	D24/111
D509,585 S *	9/2005	Kling	D24/111
D594,985 S *	6/2009	Jansheski	D24/152
D663,122 S *	7/2012	Nanda	D4/101
D718,859 S	12/2014	Pohlmann et al.		
D820,451 S	6/2018	Boge		
D855,182 S *	7/2019	Ma	D24/152
2017/0079754 A1 *	3/2017	Sedillo	A61C 17/005

(**) Term: **15 Years**

* cited by examiner

Primary Examiner — Lilyana Bekic

- (21) Appl. No.: **29/695,122**
- (22) Filed: **Jun. 17, 2019**
- (51) **LOC (12) Cl.** **24-02**
- (52) **U.S. Cl.**
USPC **D24/152; D24/111**
- (58) **Field of Classification Search**
USPC D24/111, 152, 176, 177, 179; D4/104, D4/108, 109, 110, 111, 113
CPC .. A61C 17/20; A61C 3/03; A61C 1/07; A61C 17/16; A61C 3/00; A61C 17/0202; A61C 17/005
See application file for complete search history.

(57) **CLAIM**

The ornamental design for an electric dental cleaner, as shown and described.

DESCRIPTION

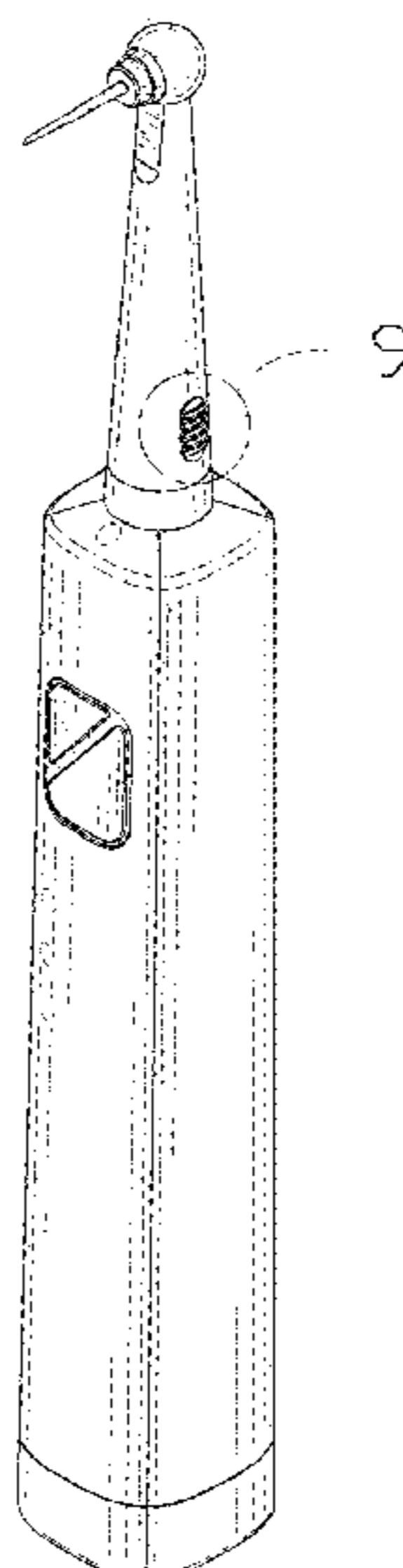
FIG. 1 is a first perspective view of an electric dental cleaner showing my design;
 FIG. 2 is a second perspective view thereof;
 FIG. 3 is a front view thereof;
 FIG. 4 is a back view thereof;
 FIG. 5 is a left side view thereof;
 FIG. 6 is a right side view thereof;
 FIG. 7 is a top view thereof;
 FIG. 8 is a bottom view thereof;
 FIG. 9 is an enlarged view of the selected portion in FIG. 1;
 FIG. 10 is an enlarged view of the selected portion in FIG. 3;
 FIG. 11 is an enlarged view of the selected portion in FIG. 5; and,
 FIG. 12 is an enlarged view of the selected portion in FIG. 7.
 The broken lines shown in the drawings depict portions of the electric dental cleaner that form no part of the claimed design.

(56) **References Cited**

U.S. PATENT DOCUMENTS

D266,109 S *	9/1982	Sertich	D24/146
D353,490 S *	12/1994	Hartwein	D13/108
5,655,906 A *	8/1997	Coss	A61C 17/20 433/115
D438,622 S	3/2001	Chang		
6,312,255 B1 *	11/2001	Hudak	A61C 17/20 433/119
6,332,233 B1 *	12/2001	Proulx	A46B 5/02 15/143.1
6,422,867 B2 *	7/2002	Lang	A61C 15/047 132/322
D468,422 S *	1/2003	McCurrach	D24/111

1 Claim, 12 Drawing Sheets



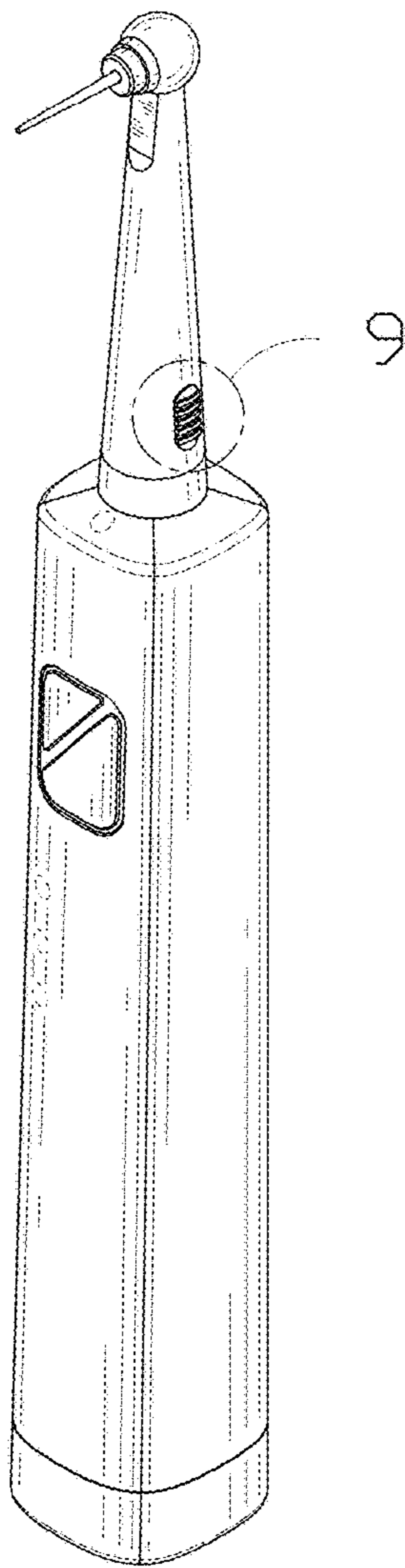


FIG. 1

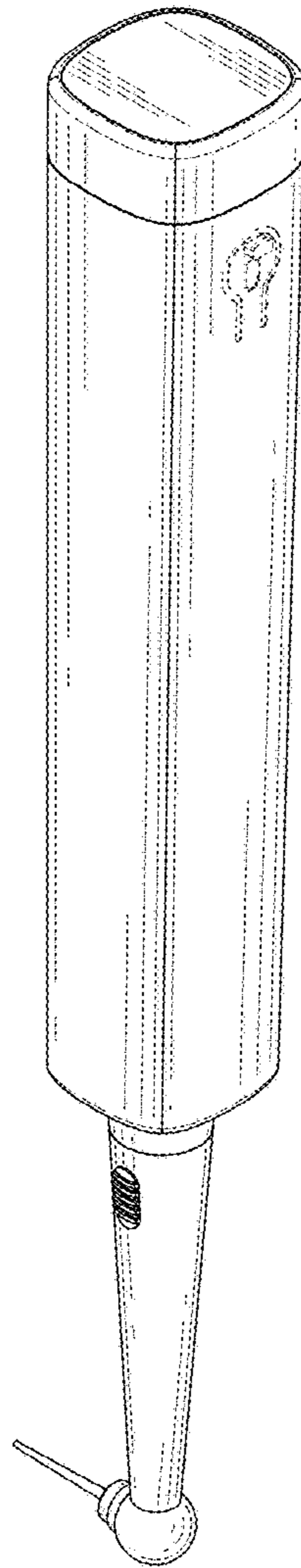


FIG. 2

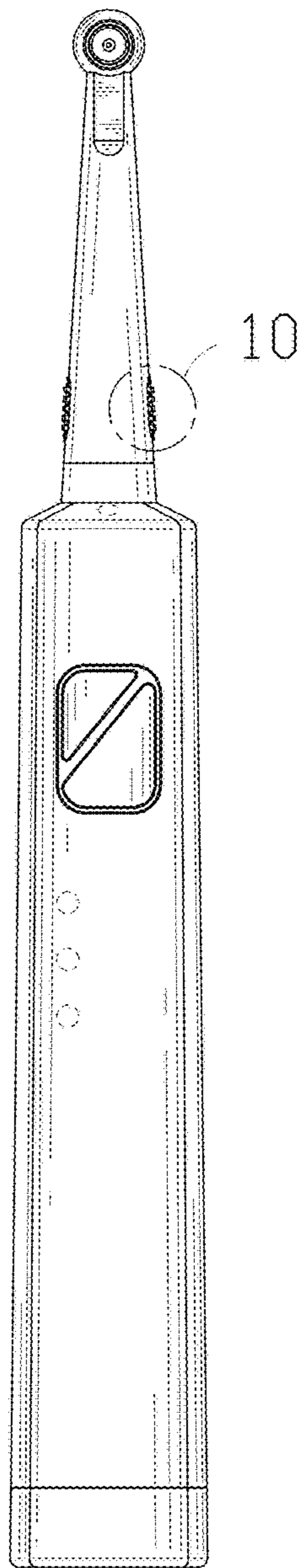


FIG. 3

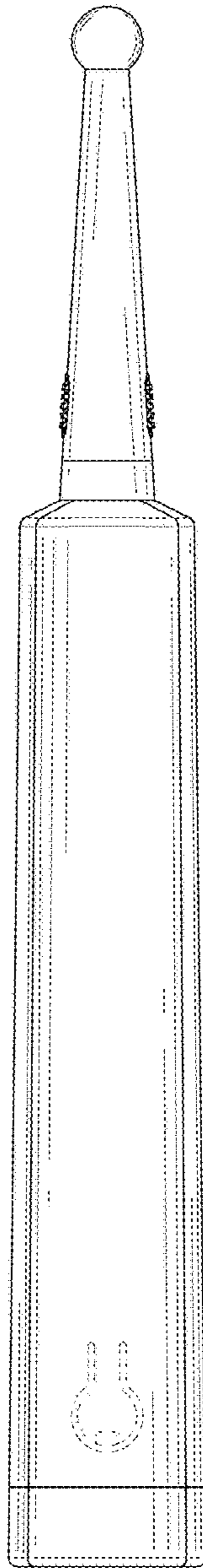


FIG. 4

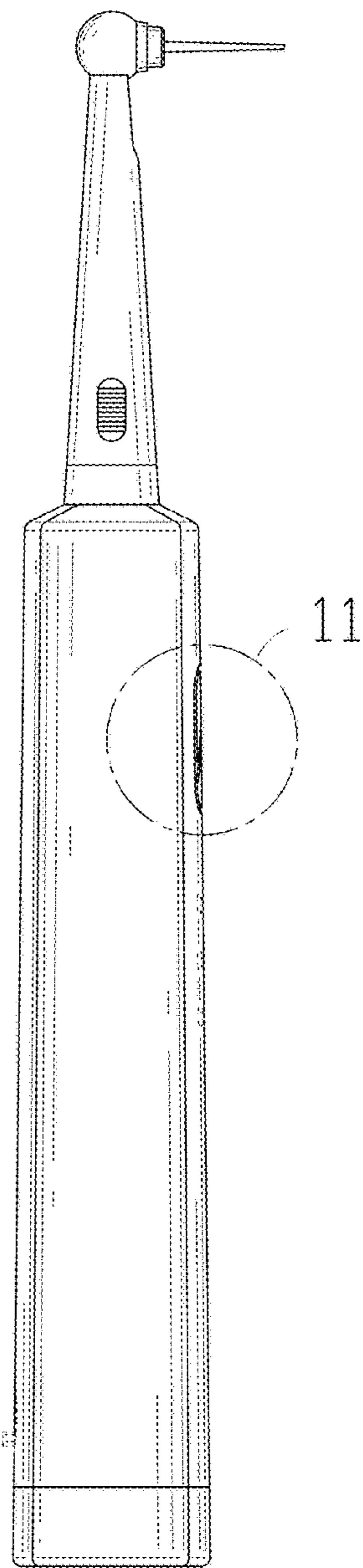


FIG. 5

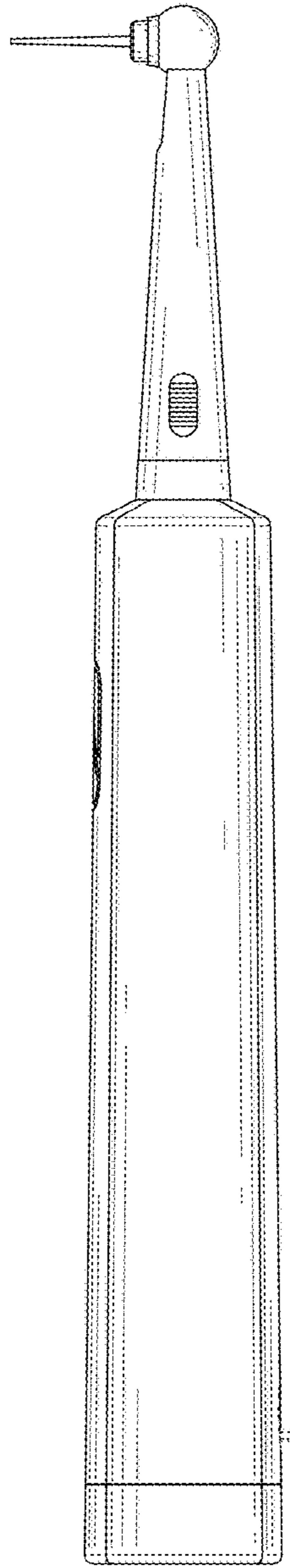


FIG. 6

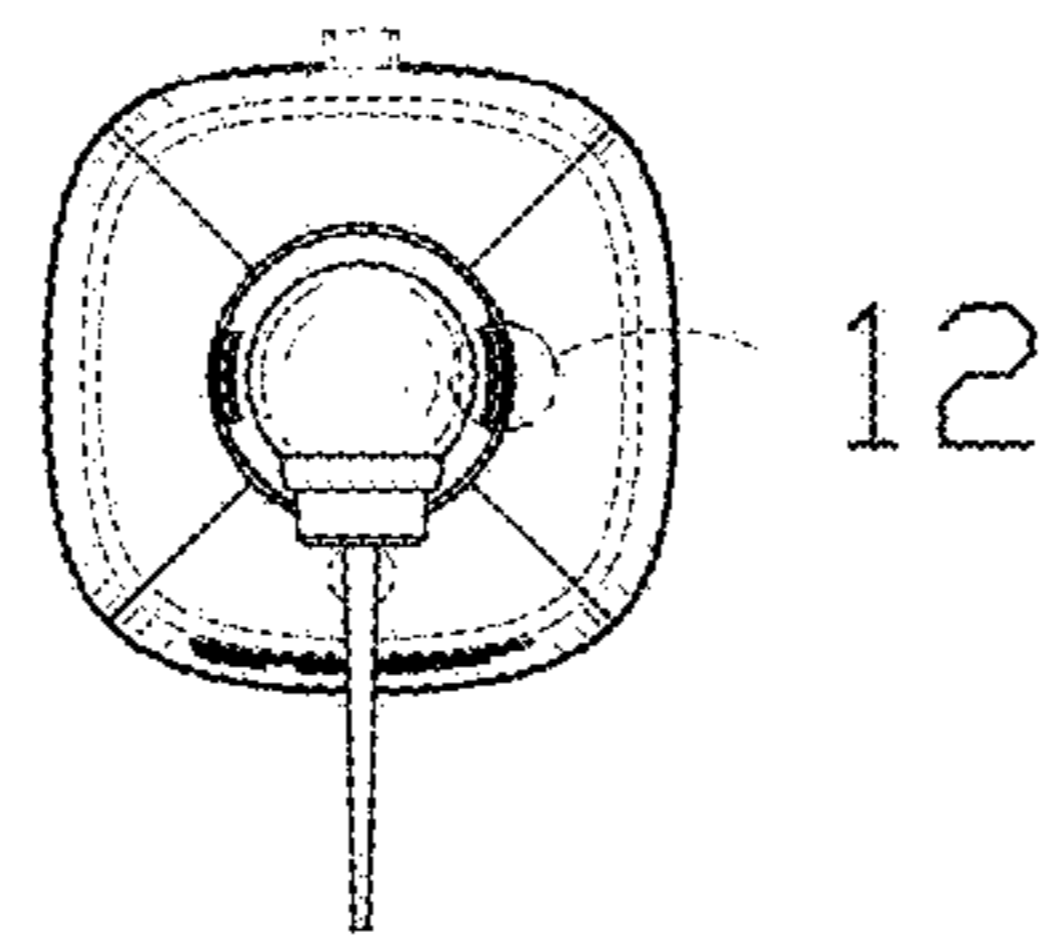


FIG. 7

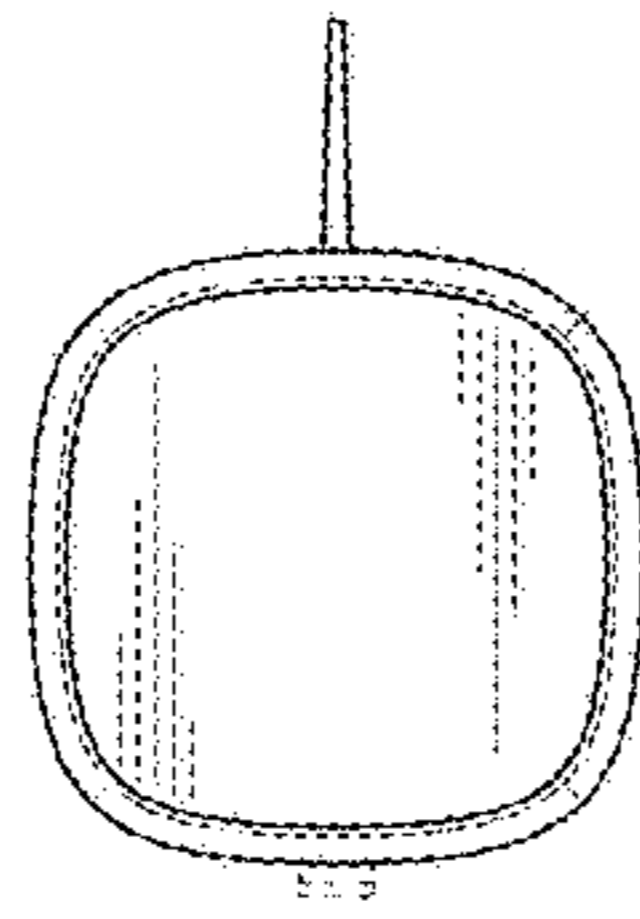


FIG. 8

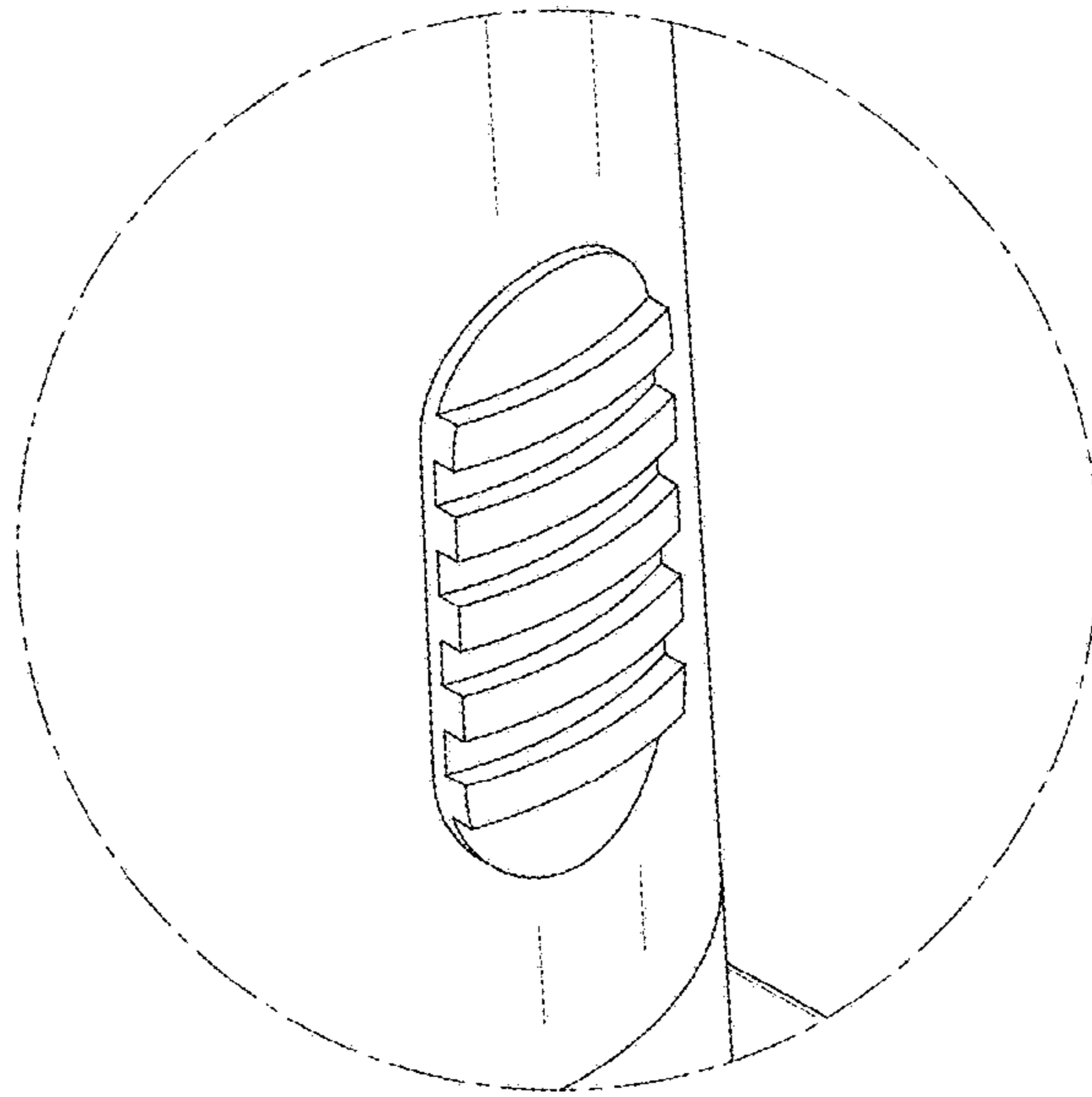


FIG. 9

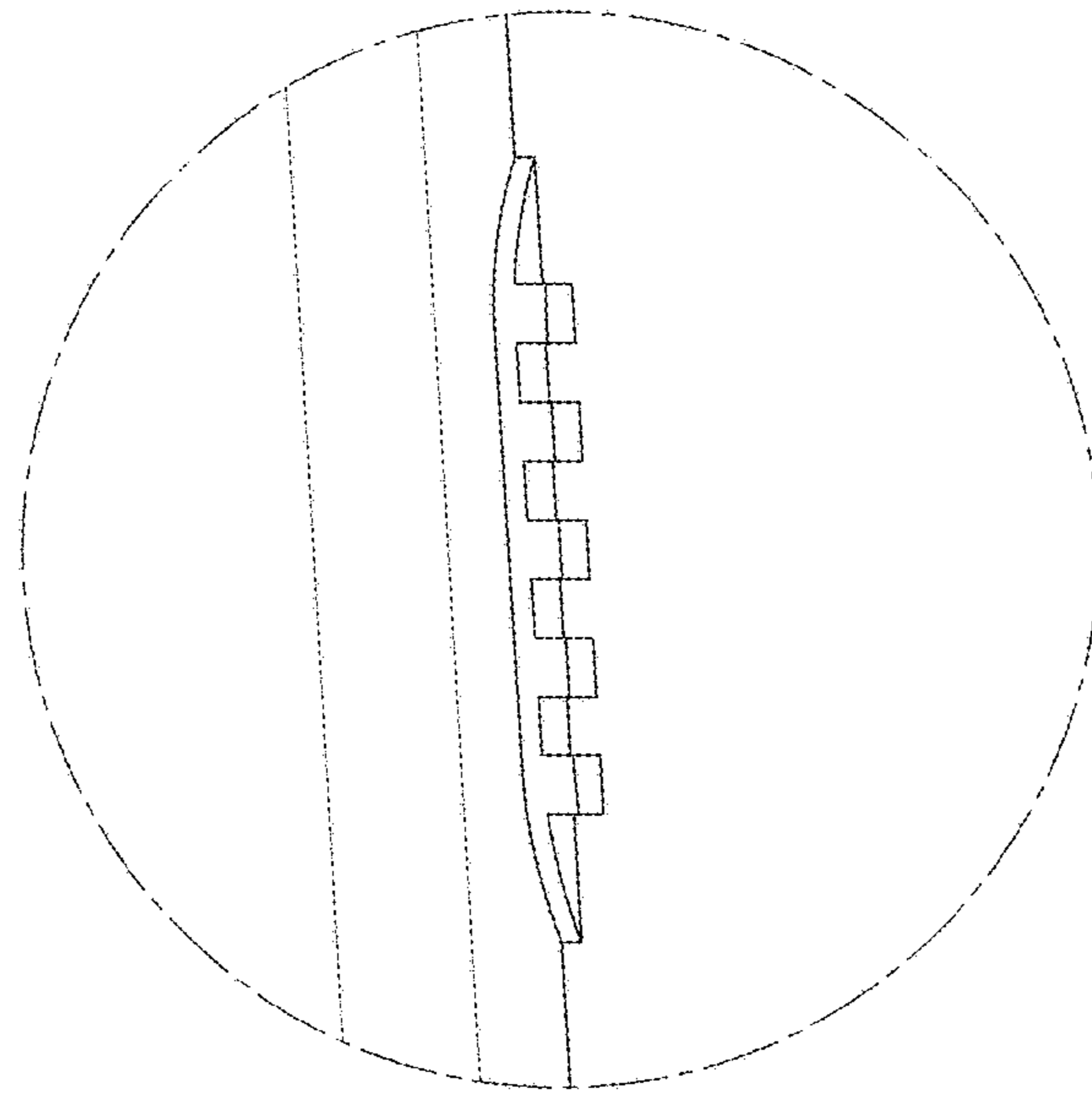


FIG. 10

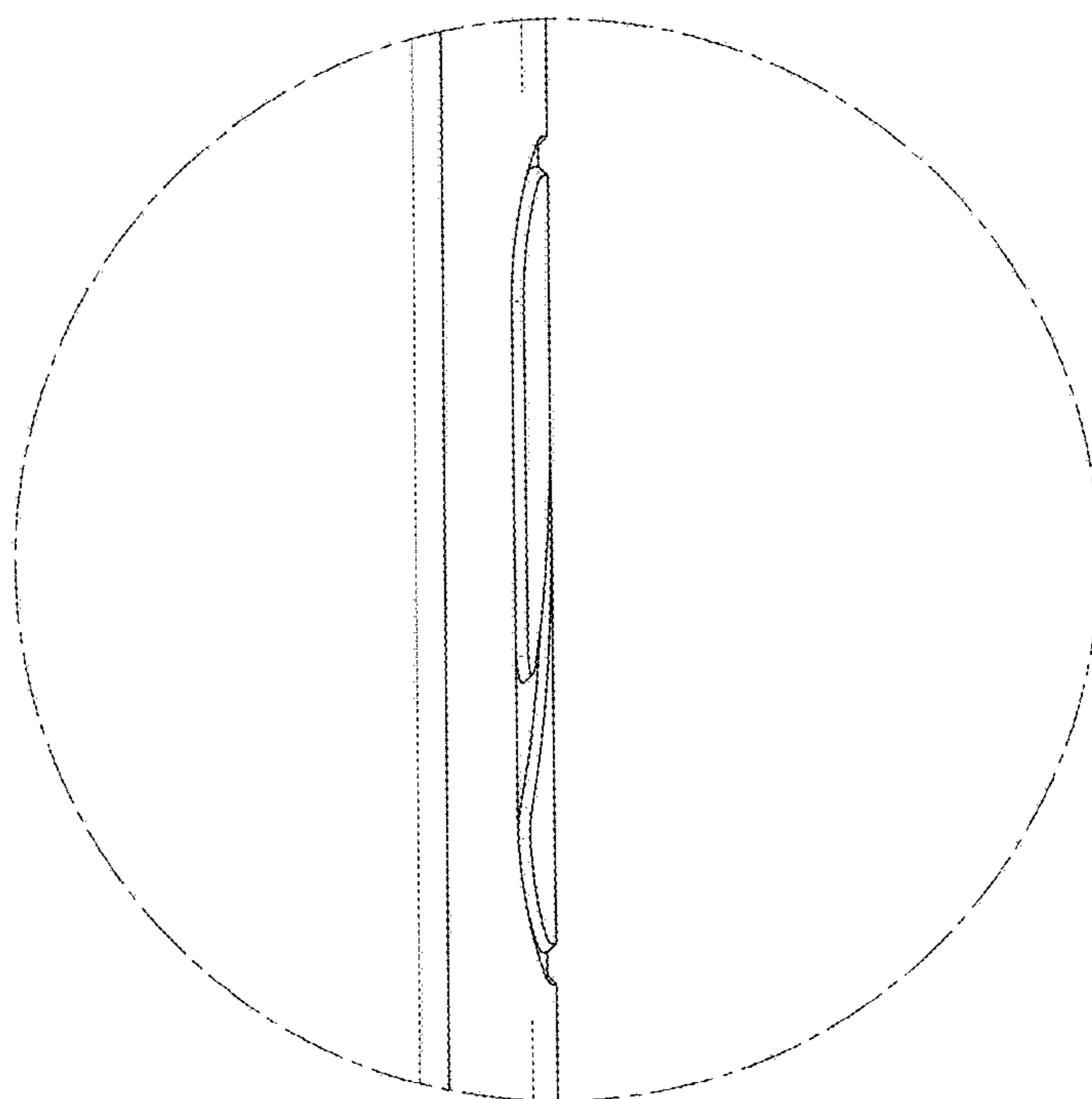


FIG. 11

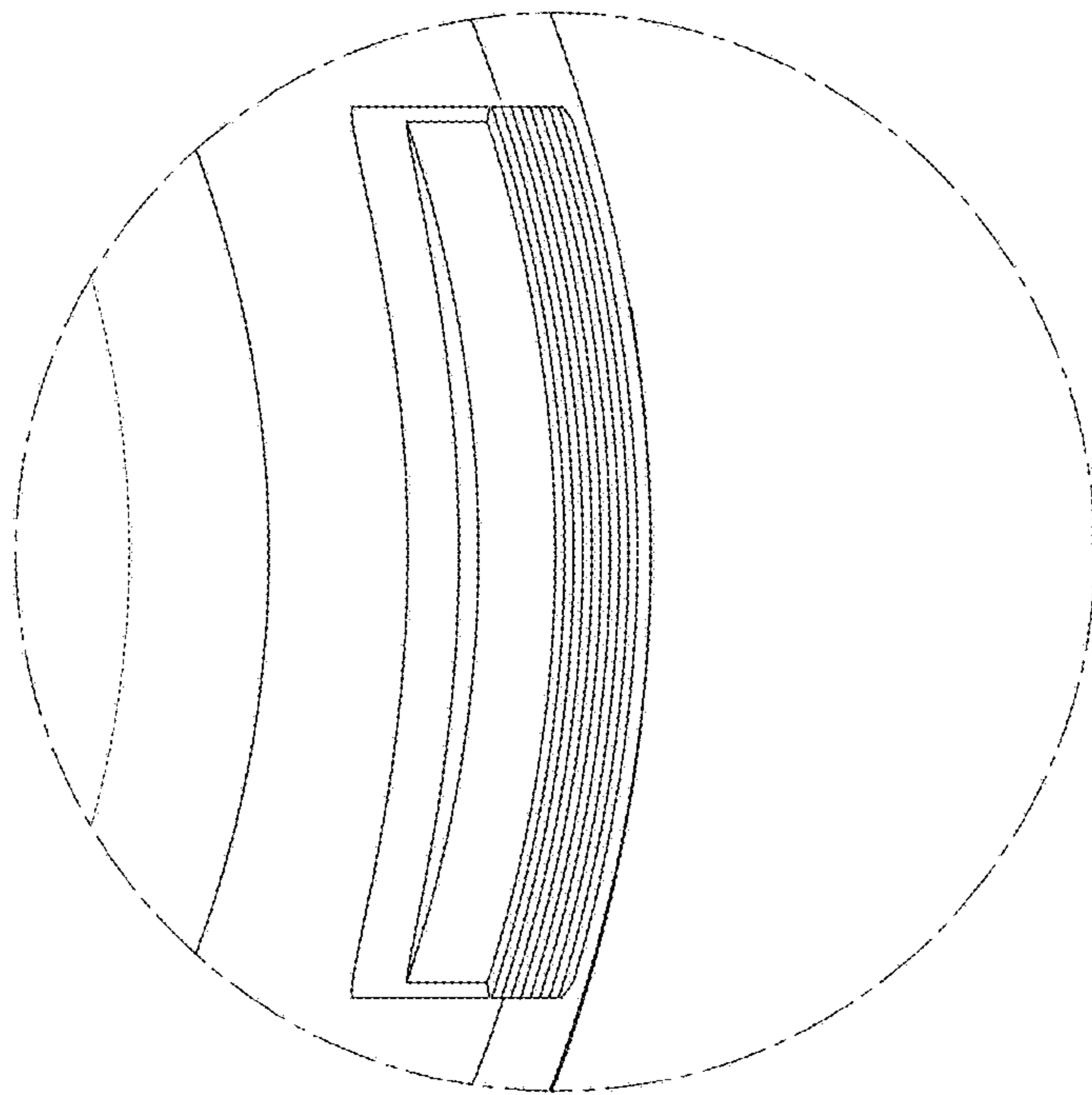


FIG. 12