



US00D865173S

(12) **United States Design Patent**
Hartson et al.

(10) **Patent No.:** **US D865,173 S**

(45) **Date of Patent:** **** Oct. 29, 2019**

(54) **CUT GUIDE**

(71) Applicant: **PARAGON 28, INC.**, Englewood, CO (US)

(72) Inventors: **Kyle James Hartson**, Denver, CO (US); **Albert DaCosta**, Lone Tree, CO (US); **Randy Allard**, Golden, CO (US)

(73) Assignee: **PARAGON 28, INC.**, Englewood, CO (US)

(**) Term: **15 Years**

(21) Appl. No.: **29/655,887**

(22) Filed: **Jul. 9, 2018**

(51) **LOC (12) Cl.** **24-02**

(52) **U.S. Cl.**
USPC **D24/140**

(58) **Field of Classification Search**
USPC D24/140, 133, 152, 176, 181, 155, 156
CPC A61C 1/082; A61C 1/084; A61C 1/085;
A61C 3/04; A61C 11/06
See application file for complete search history.

(56) **References Cited**

U.S. PATENT DOCUMENTS

D102,804 S *	1/1937	Robinson	D24/133
5,735,856 A *	4/1998	McCue	A61B 17/155 606/87
D412,032 S *	7/1999	Mikula-Curtis	D24/140
D629,900 S *	12/2010	Fisher	D24/146
D642,269 S *	7/2011	Graham	D24/155

D649,640 S *	11/2011	Bailey	D24/140
D748,786 S *	2/2016	Bailey	D24/140
D840,030 S *	2/2019	Smith	D24/140

* cited by examiner

Primary Examiner — Bridget L Eland
(74) *Attorney, Agent, or Firm* — Heslin Rothenberg Farley & Mesiti P.C.

(57) **CLAIM**

The ornamental design for a cut guide, as shown and described.

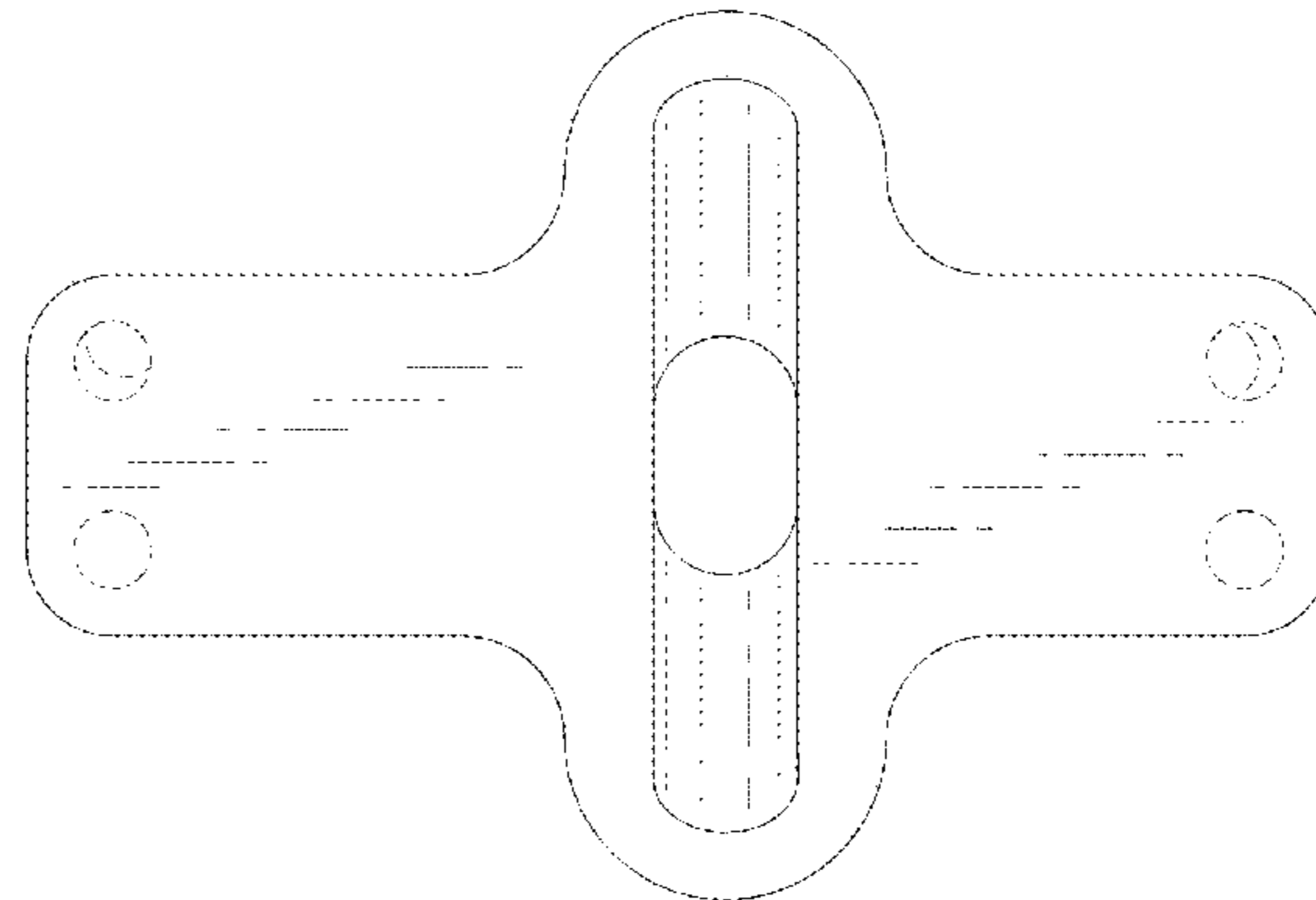
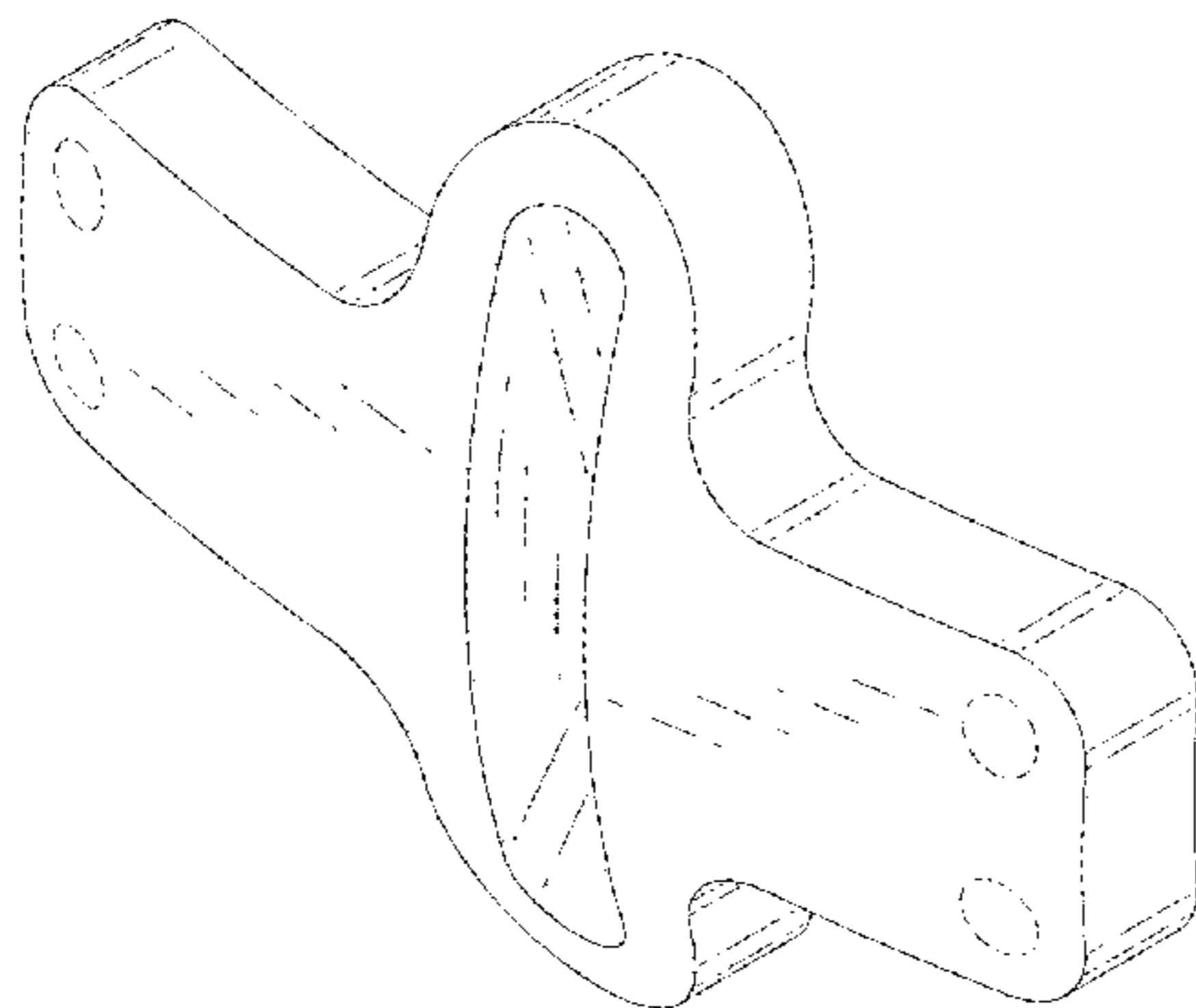
DESCRIPTION

FIG. 1 is a front, top perspective view of the cut guide comprising the new design;
FIG. 2 is a back, bottom perspective view of the design of FIG. 1;
FIG. 3 is a front elevational view of the design of FIG. 1;
FIG. 4 is a back elevational view of the design of FIG. 1;
FIG. 5 is a top view of the design of FIG. 1;
FIG. 6 is a bottom view of the design of FIG. 1;
FIG. 7 is a right elevational view of the design of FIG. 1; and,
FIG. 8 is a left elevational bottom view of the design of FIG. 1.

The broken lines immediately adjacent the shaded areas represent the bounds of the claimed design while all other broken lines are directed to environment and are for illustrative purposes only; the broken lines form no part of the claimed design.

The relatively light uneven broken lines shown in the figures represent contour.

1 Claim, 6 Drawing Sheets



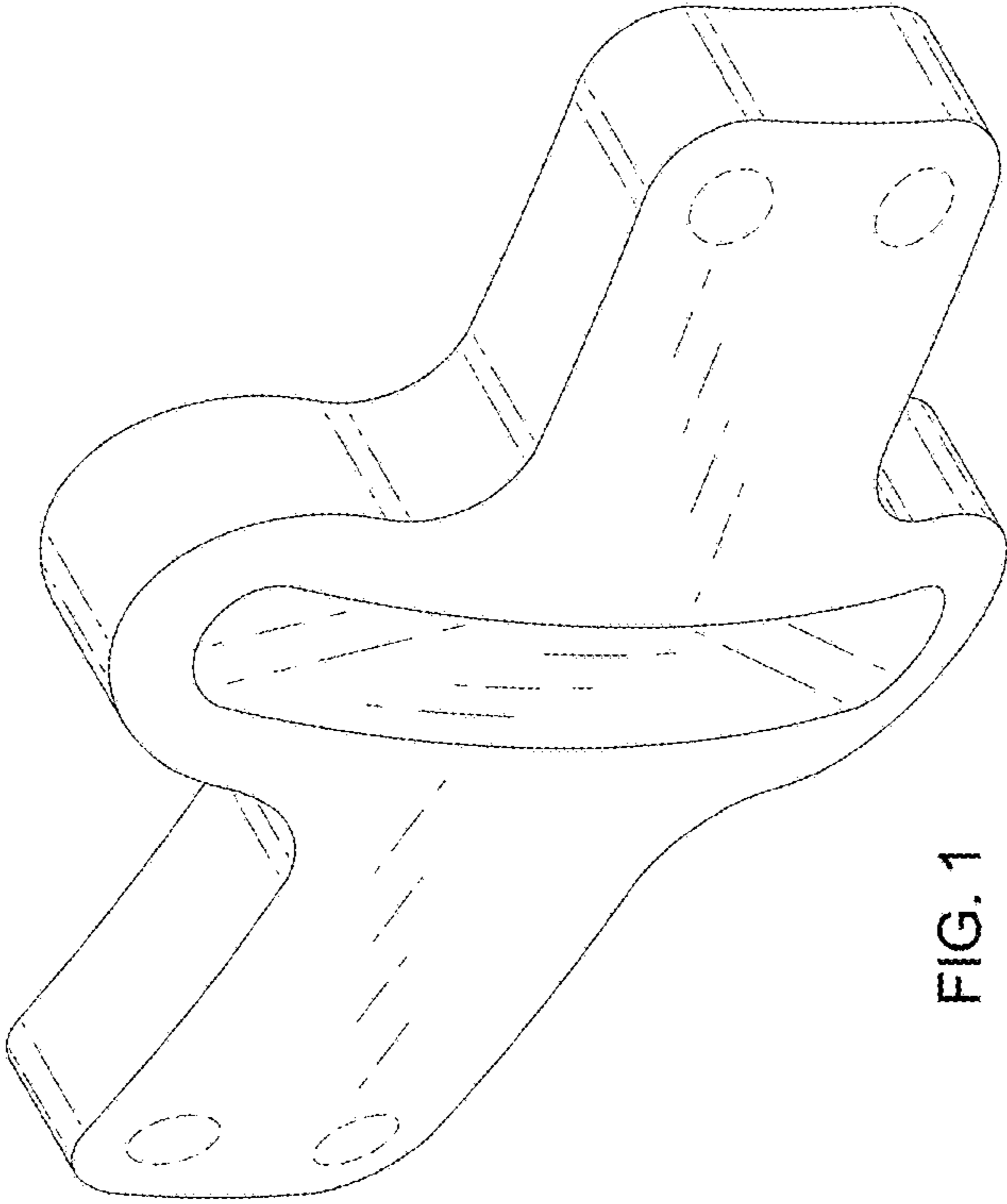


FIG. 1

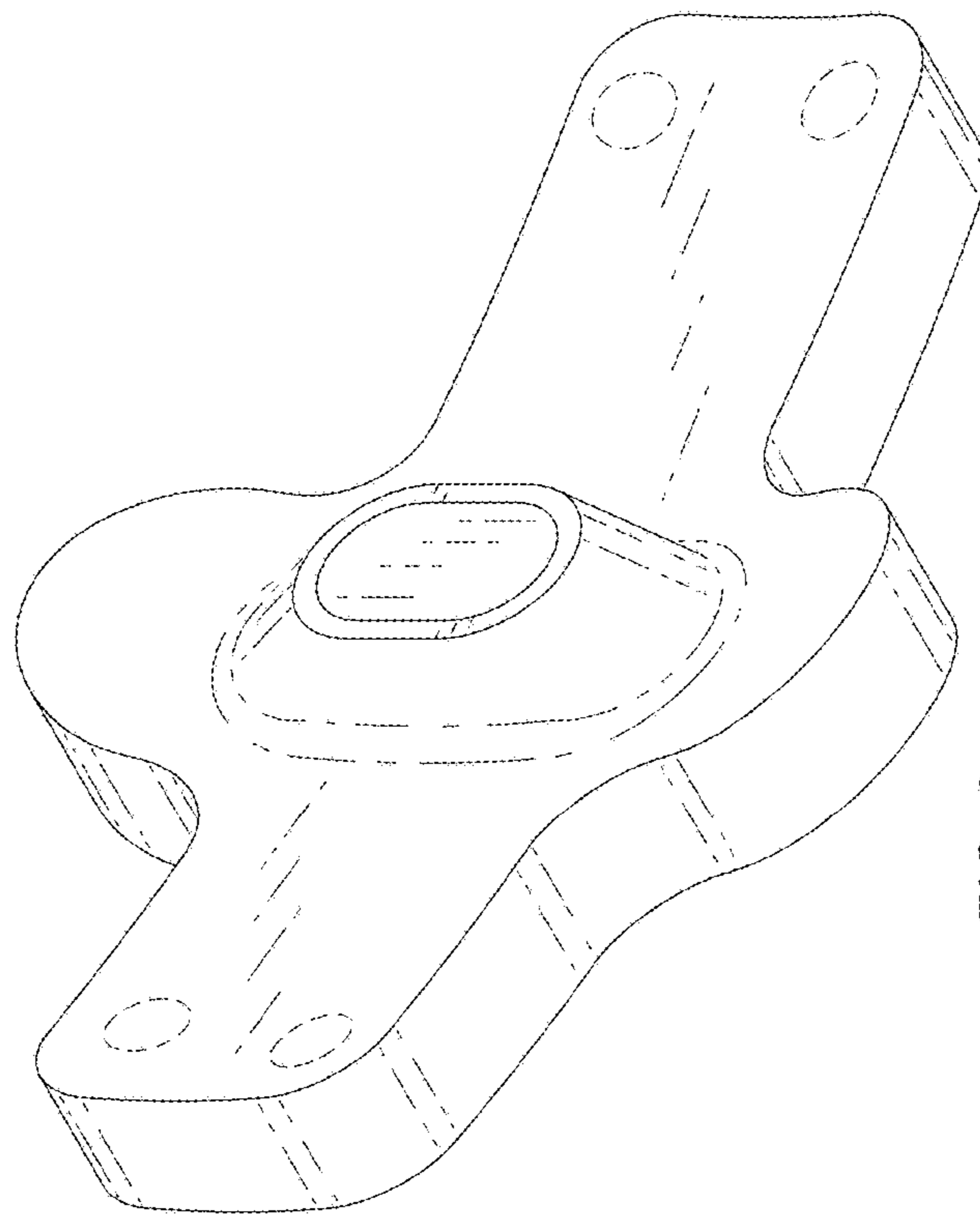


FIG. 2

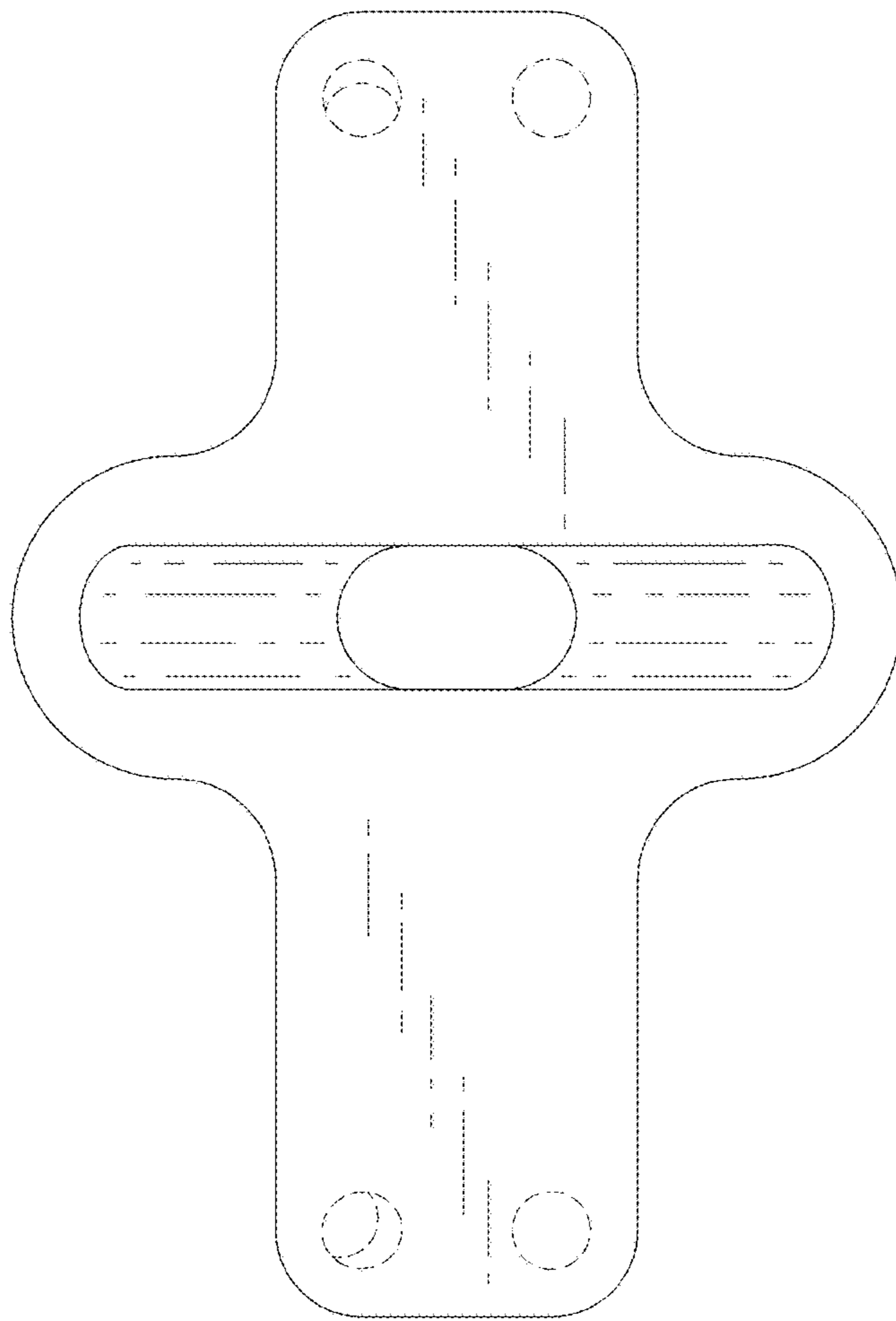


FIG. 3

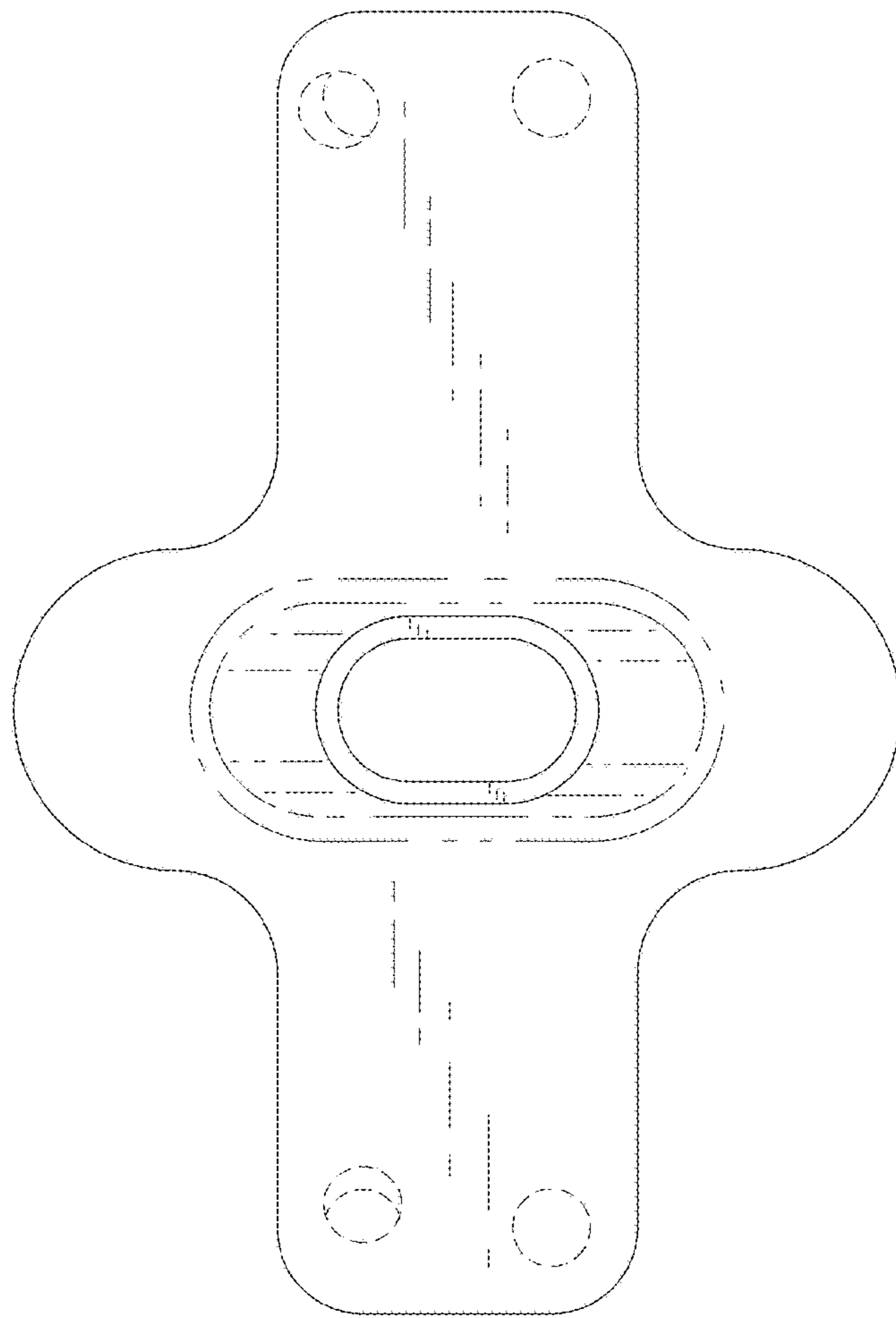


FIG. 4

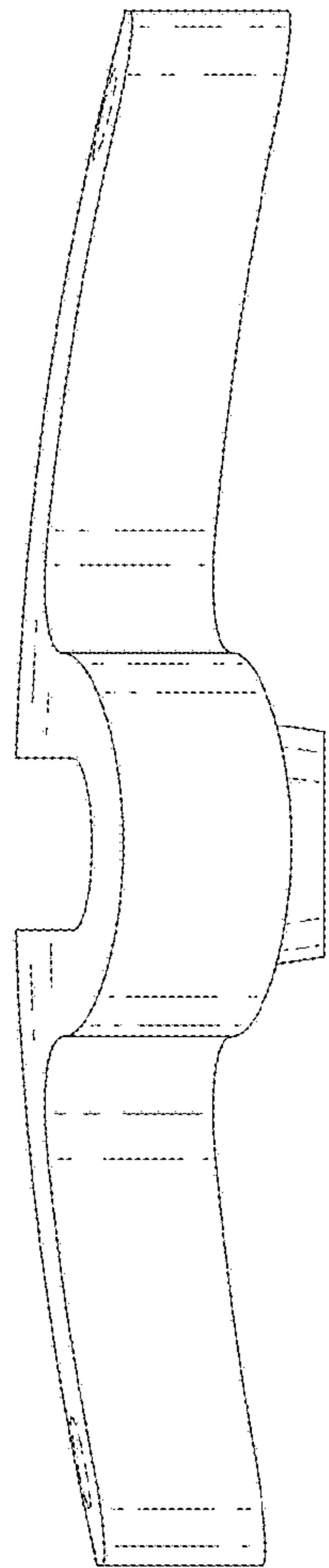


FIG. 5

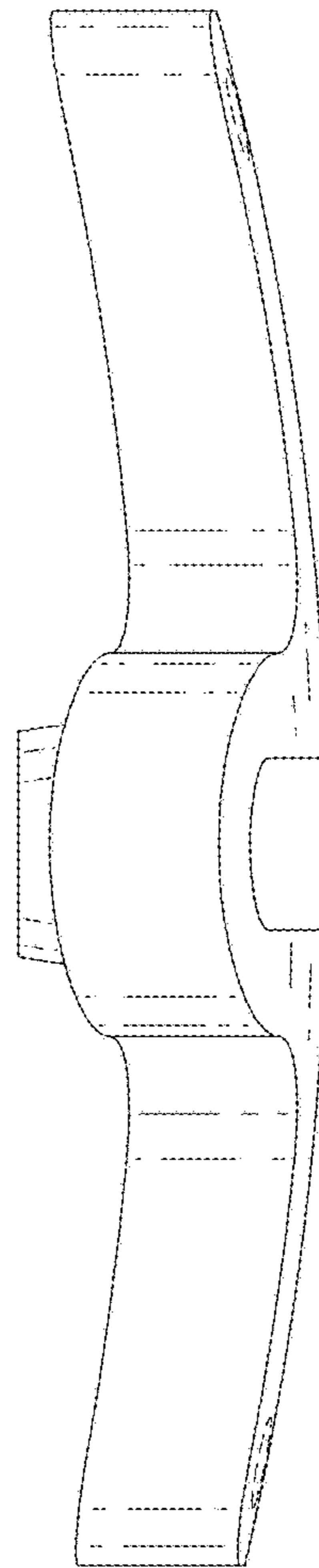


FIG. 6

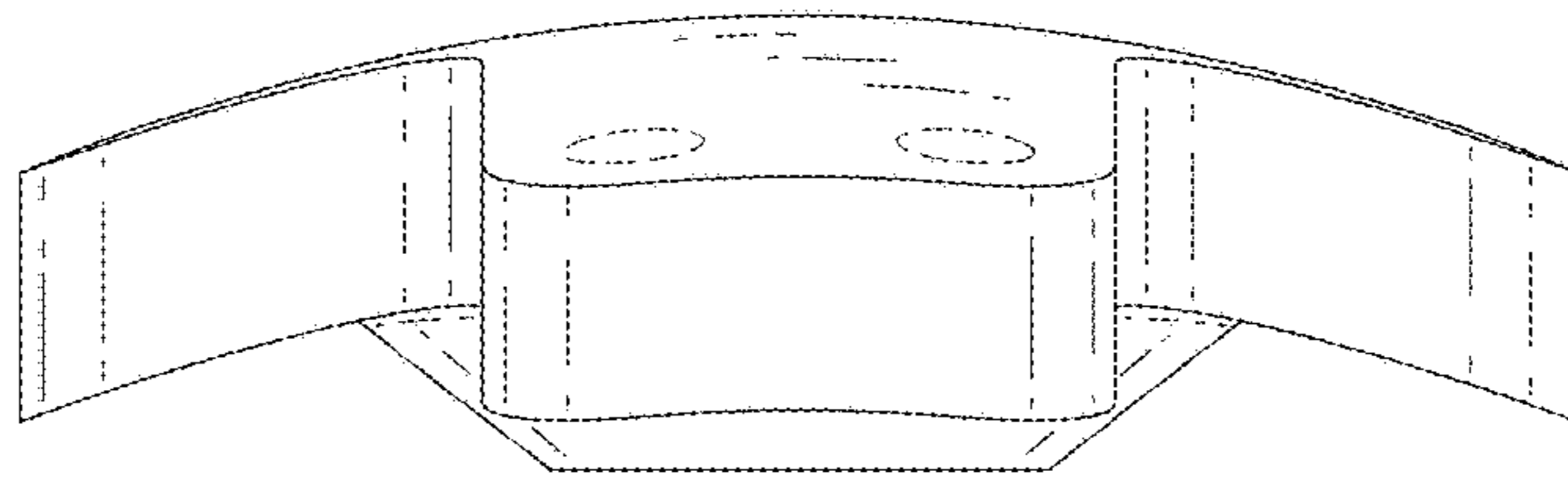


FIG. 8

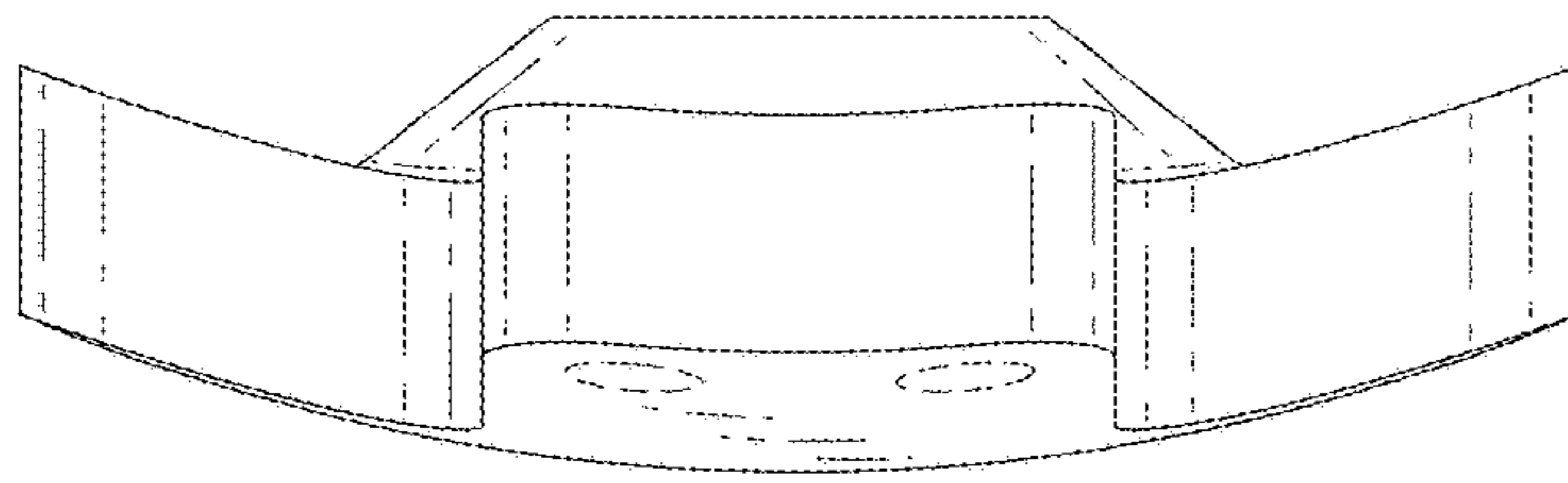


FIG. 7