



US00D865170S

(12) **United States Design Patent** (10) **Patent No.:** **US D865,170 S**
Suzuki et al. (45) **Date of Patent:** **** Oct. 29, 2019**

(54) **PORTABLE MEDICAL ENDOSCOPE OPERATING UNIT**

5,924,978 A * 7/1999 Koeda G02B 6/0006
600/131
D594,555 S * 6/2009 Hsu D24/137
D603,958 S * 11/2009 Schwartz D24/138
D635,257 S * 3/2011 Ellman D24/137
D671,214 S * 11/2012 Funakoshi D24/138
D708,326 S * 7/2014 Wang D24/137
D736,918 S * 8/2015 Liu D24/137
D752,744 S * 3/2016 Luo D24/138
D755,379 S * 5/2016 Amano D24/138

(71) Applicant: **OLYMPUS CORPORATION**, Tokyo (JP)

(72) Inventors: **Tatsuhiko Suzuki**, Tokyo (JP);
Tomomi Nakajima, West Coast Walk (SG)

(73) Assignee: **OLYMPUS CORPORATION**, Tokyo (JP)

* cited by examiner

(**) Term: **15 Years**

Primary Examiner — Eliza Z Bennett-Hattan

(21) Appl. No.: **29/571,467**

(74) *Attorney, Agent, or Firm* — Scully, Scott, Murphy & Preser, P.C.

(22) Filed: **Jul. 19, 2016**

(30) **Foreign Application Priority Data**

(57) **CLAIM**

Jan. 20, 2016 (CN) 2016 3 0020511

The ornamental design for a portable medical endoscope operating unit, as shown and described.

(51) **LOC (12) Cl.** **24-02**

(52) **U.S. Cl.**
USPC **D24/138**

DESCRIPTION

(58) **Field of Classification Search**
USPC D24/138, 137, 170, 146, 147, 144
CPC A61B 1/00; A61B 1/00137; A61B 1/005;
A61B 1/0014; A61B 1/0676; A61B
1/0669; A61B 1/00121; A61B 1/00133;
A61B 1/00071; A61B 1/00064; A61B
1/00068; A61B 1/00112; A61B 1/0125;
A61B 17/3478

FIG. 1 is a front view of a portable medical endoscope operating unit, showing our new design;
FIG. 2 is a rear view thereof;
FIG. 3 is a top view thereof;
FIG. 4 is a bottom view thereof;
FIG. 5 is a left side view thereof; and,
FIG. 6 is a right side view thereof.

See application file for complete search history.

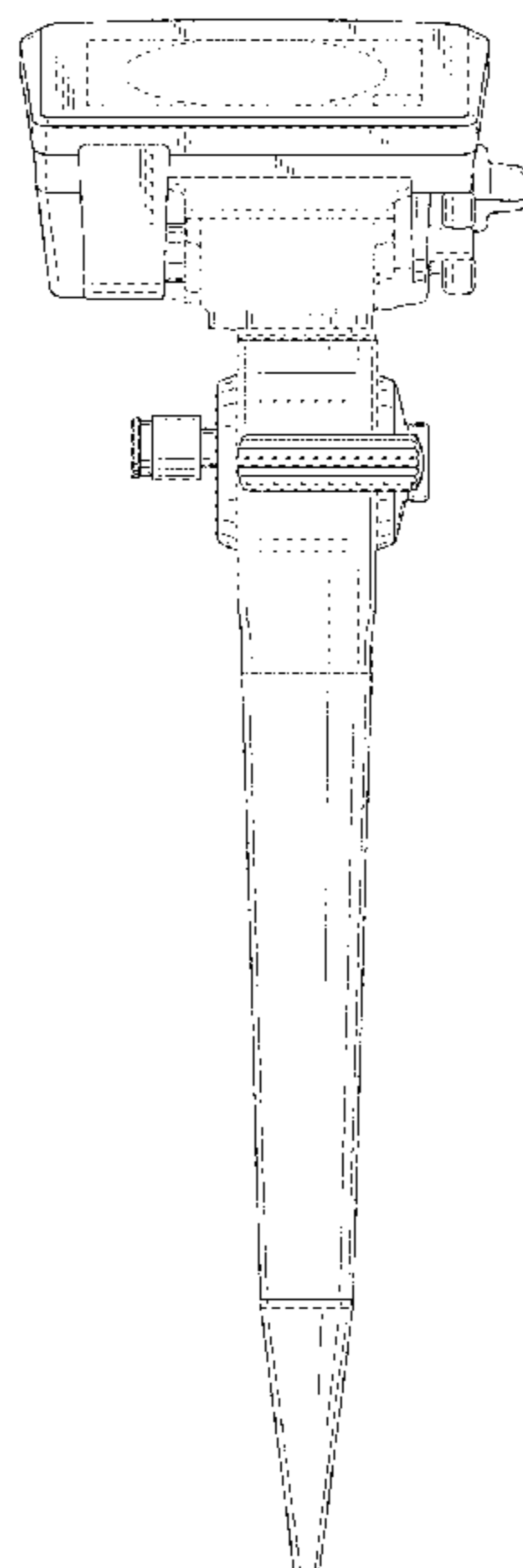
The broken lines in the drawing depict unclaimed portions of the portable medical endoscope operating unit. The claim is comprised of the shaded surfaces of the portable medical endoscope operating unit only.

(56) **References Cited**

U.S. PATENT DOCUMENTS

D335,710 S * 5/1993 Ainger, III D24/138
D358,471 S * 5/1995 Cope D24/137

1 Claim, 5 Drawing Sheets



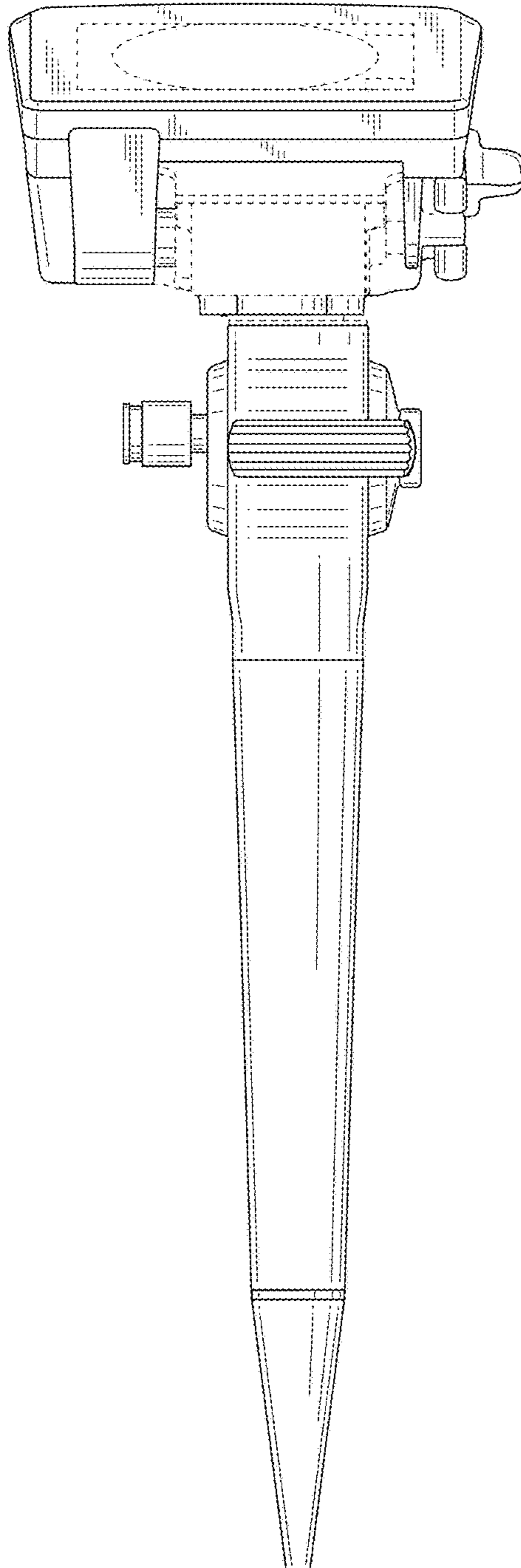


Fig. 1

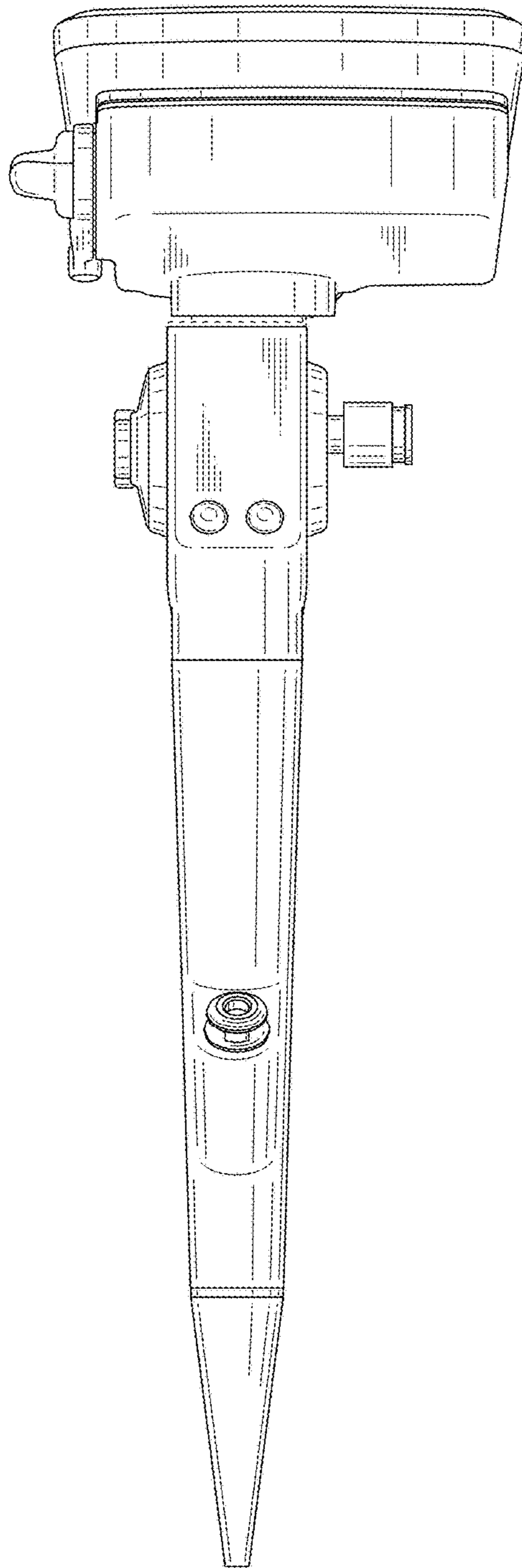


Fig.2

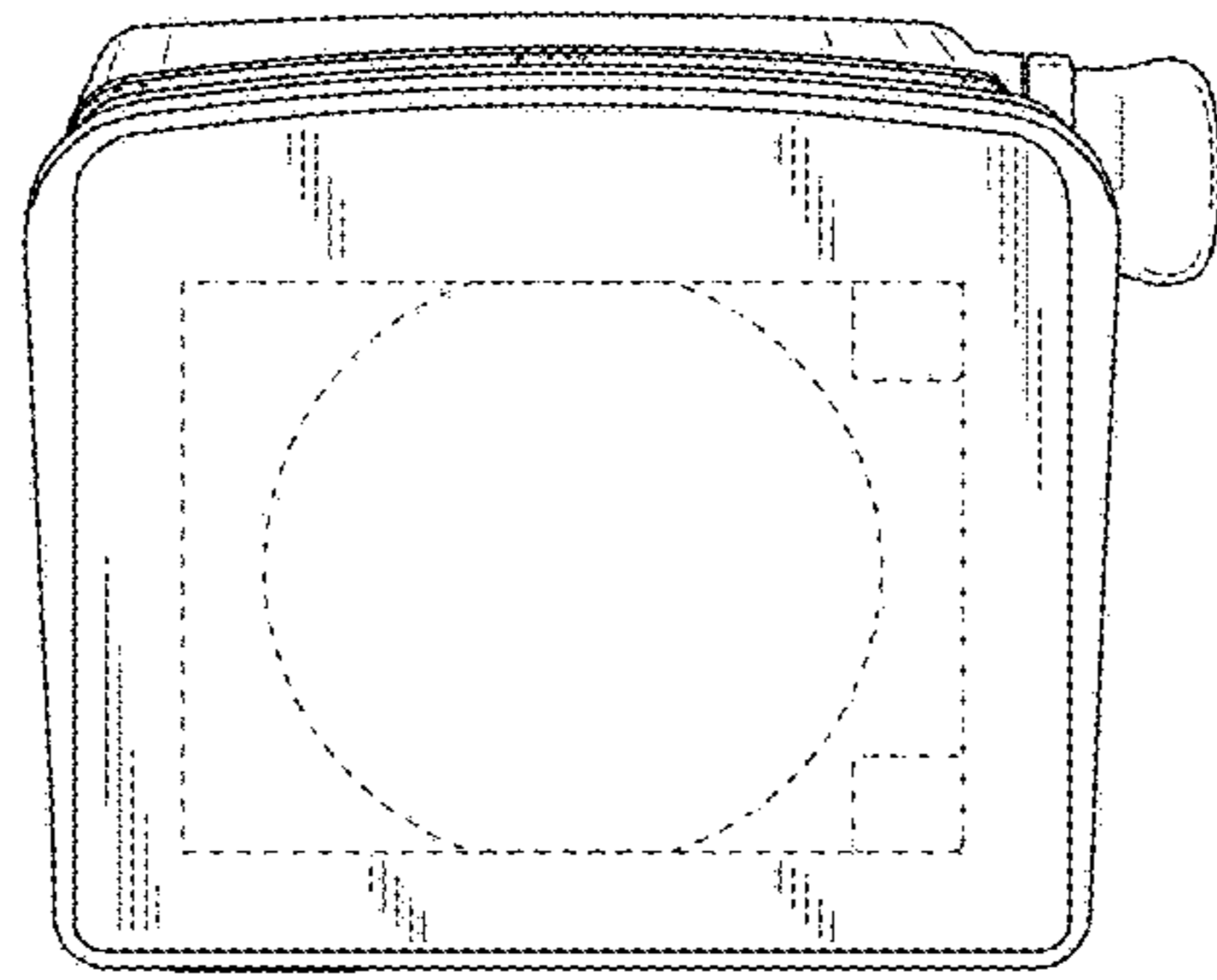


Fig.3

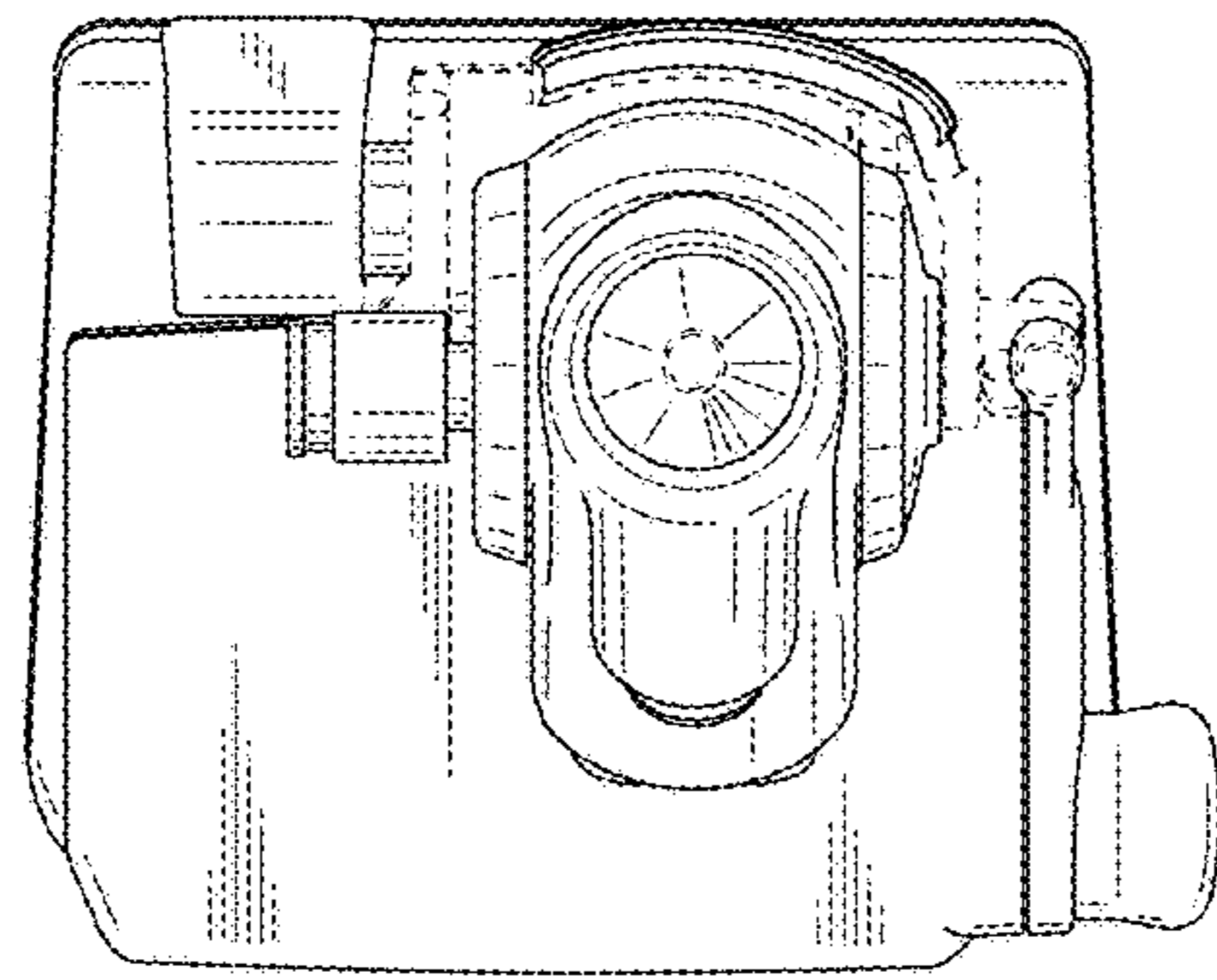


Fig.4

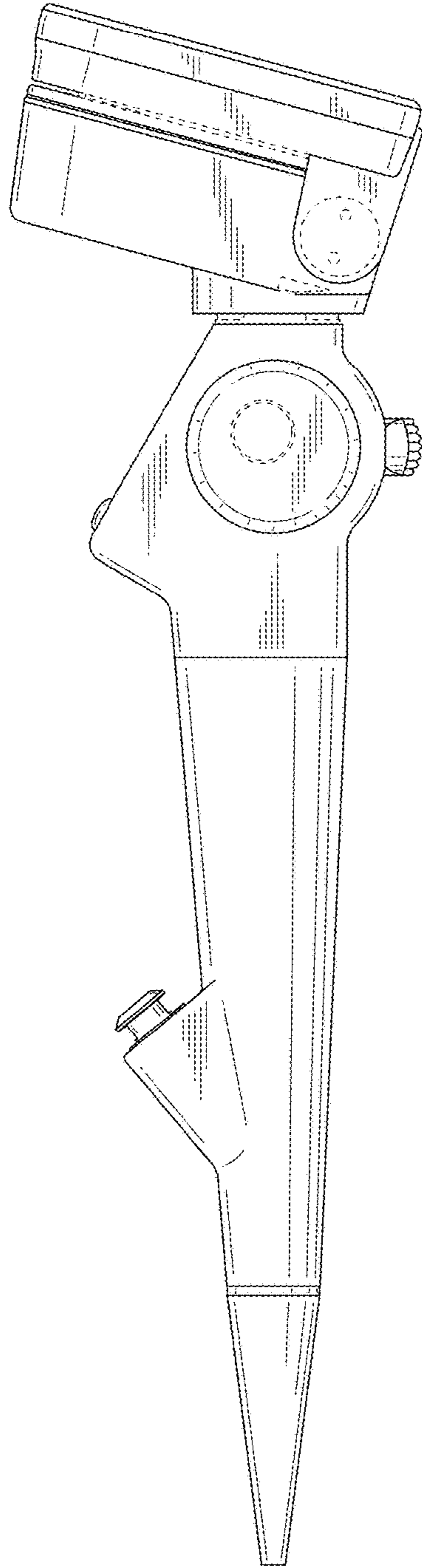


Fig. 5

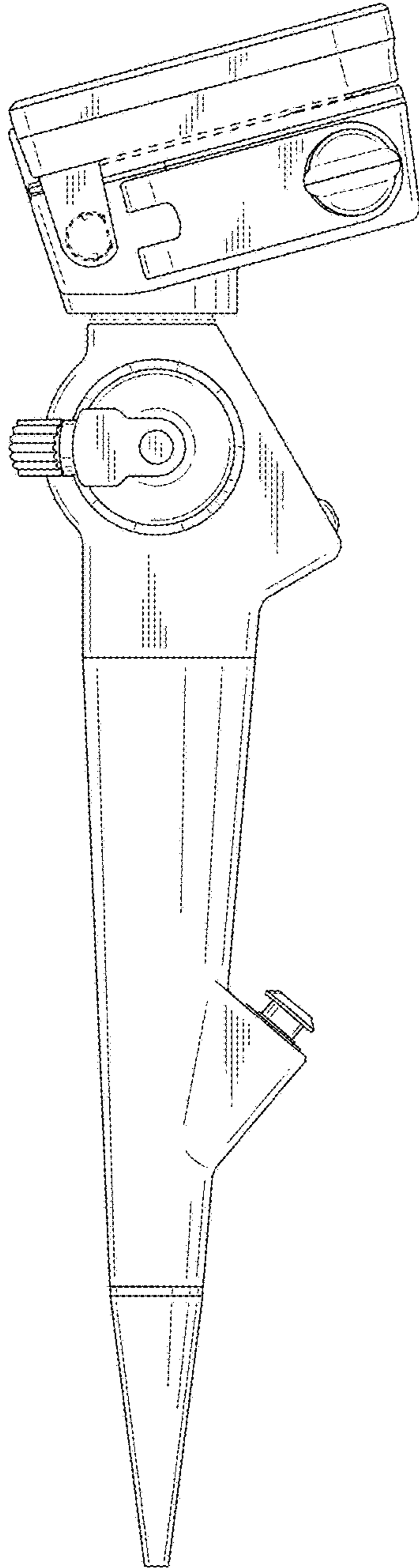


Fig.6