



US00D865169S

(12) **United States Design Patent** (10) **Patent No.:** **US D865,169 S**
Zimmerli et al. (45) **Date of Patent:** **** Oct. 29, 2019**

(54) **VIDEO LARYNGOSCOPE**

(71) Applicant: **KARL STORZ GmbH & Co. KG,**
Tuttlingen (DE)

(72) Inventors: **Fabian Zimmerli,** Zurich (CH); **Dieter Huels,** Stockach (DE); **Michael Mueri,** Winterthur (CH); **Juerg Attinger,** Stein am Rhein (CH); **Thomas Breinlinger,** Tuttlingen (DE); **Irina Kolokolov,** Tuttlingen (DE); **Ulrich Merz,** Tuttlingen (DE)

(73) Assignee: **KARL STORZ SE & Co. KG,**
Tuttlingen (DE)

(**) Term: **15 Years**

(21) Appl. No.: **29/607,390**

(22) Filed: **Jun. 13, 2017**

(30) **Foreign Application Priority Data**

Dec. 13, 2016 (EM) 003516103-0010

(51) **LOC (12) Cl.** **24-02**

(52) **U.S. Cl.**
USPC **D24/137**

(58) **Field of Classification Search**
USPC D24/137, 138, 135, 133
CPC A61B 1/267; A61B 1/00052; A61B 1/06;
A61B 1/04; A61B 1/2676; B29L
2031/753
See application file for complete search history.

(56) **References Cited**

U.S. PATENT DOCUMENTS

D272,849 S * 2/1984 Bel D24/112
D420,131 S * 2/2000 Renner D24/138
D463,553 S * 9/2002 Topala D24/138
D481,125 S * 10/2003 Hayamizu D24/129

D534,655 S * 1/2007 Iranyi D24/138
D664,653 S * 7/2012 Doerges
D708,327 S * 7/2014 Wang D24/137
D790,697 S * 6/2017 Bresco Torras D24/138
D795,424 S * 8/2017 Sloss D24/138

(Continued)

OTHER PUBLICATIONS

U.S. Appl. No. 29/545,156, filed Nov. 10, 2015, Fuhr et al.
(Continued)

Primary Examiner — Eliza Z Bennett-Hattan

(74) *Attorney, Agent, or Firm* — Muncy, Geissler, Olds & Lowe, P.C.

(57) **CLAIM**

The ornamental design for a video laryngoscope, as shown and described.

DESCRIPTION

FIG. 1 is a front perspective view of a video laryngoscope according to the present invention.

FIG. 2 is a front view of the video laryngoscope of FIG. 1.

FIG. 3 is a rear view of the video laryngoscope of FIG. 1.

FIG. 4 is a left side view of the video laryngoscope of FIG. 1.

FIG. 5 is a right side view of the video laryngoscope of FIG. 1.

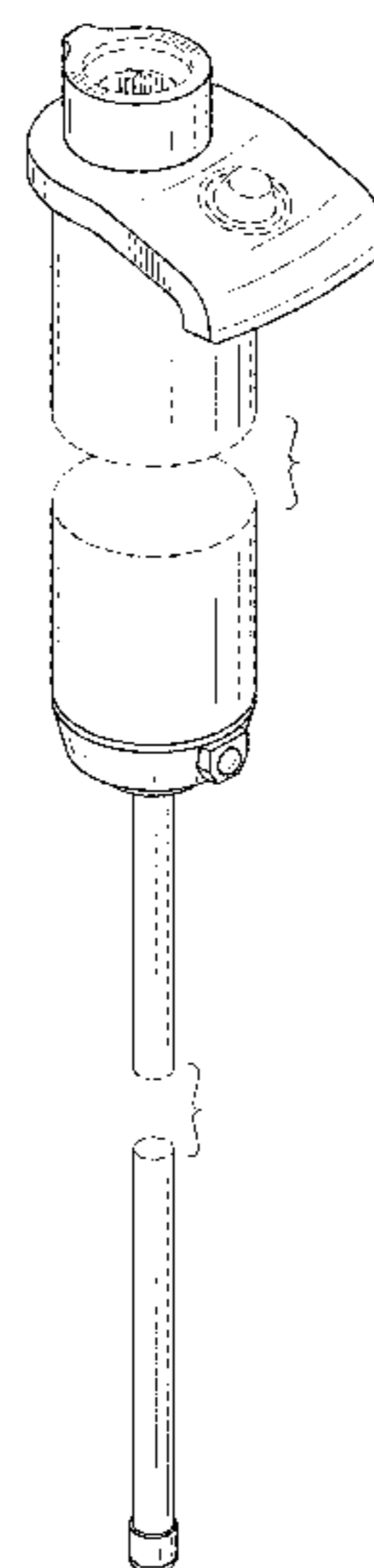
FIG. 6 is a top view of the video laryngoscope of FIG. 1; and,

FIG. 7 is a bottom view of the video laryngoscope of FIG. 1.

The dashed lines illustrate environment that does not form a part of the present invention, and no claim is made to the material illustrated with dashed lines.

The video laryngoscope is shown with symbolic breaks in its length. The appearance of any portion of the article between the break lines forms no part of the claimed design.

1 Claim, 7 Drawing Sheets



(56)

References Cited

U.S. PATENT DOCUMENTS

D841,160 S * 2/2019 Cranfield D24/138
D844,137 S * 3/2019 Sun D24/138
2013/0317300 A1* 11/2013 Berci A61B 1/0005
600/188
2014/0107422 A1* 4/2014 Huels A61B 1/00105
600/188

OTHER PUBLICATIONS

U.S. Appl. No. 29/584,259, filed Nov. 14, 2016, Huels et al.
U.S. Appl. No. 29/584,260, filed Nov. 14, 2016, Huels et al.
U.S. Appl. No. 29/584,265, filed Nov. 14, 2016, Huels et al.
U.S. Appl. No. 29/584,267, filed Nov. 14, 2016, Huels et al.
U.S. Appl. No. 29/584,298, filed Nov. 14, 2016, Huels et al.

* cited by examiner

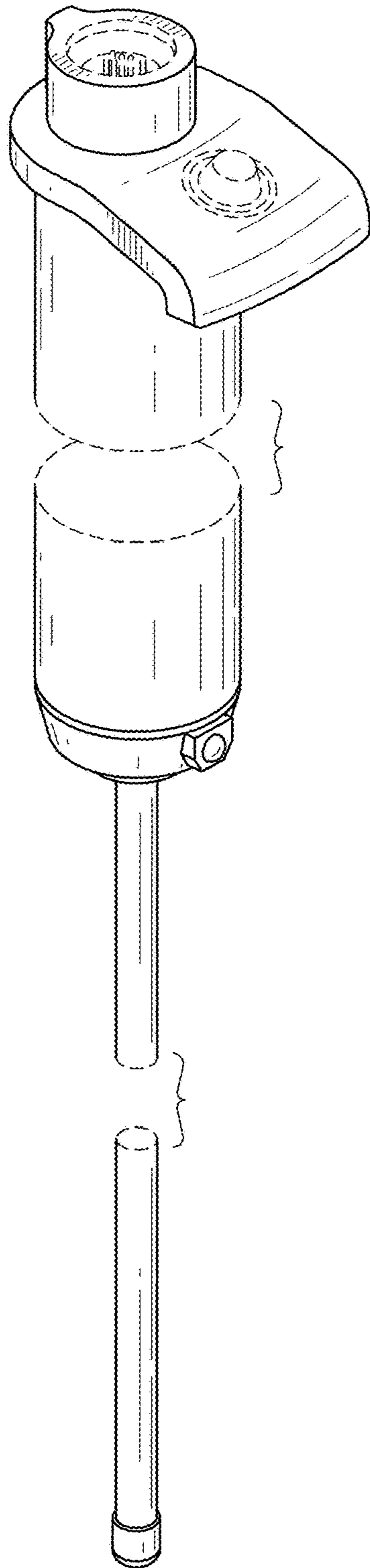


FIG.1

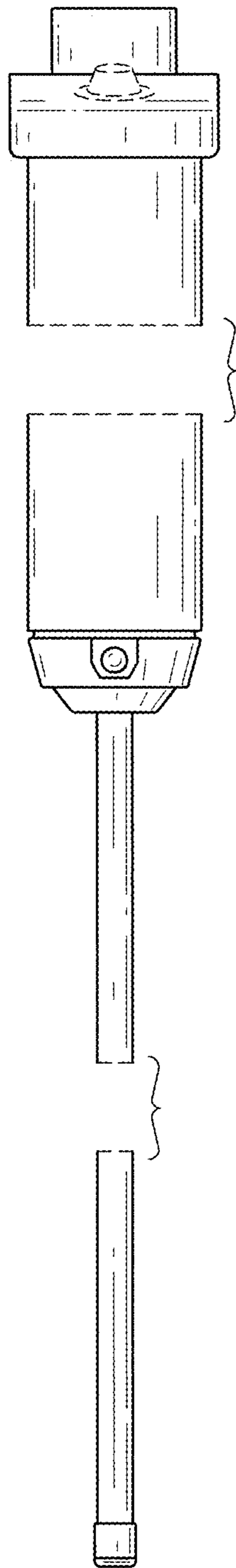


FIG.2

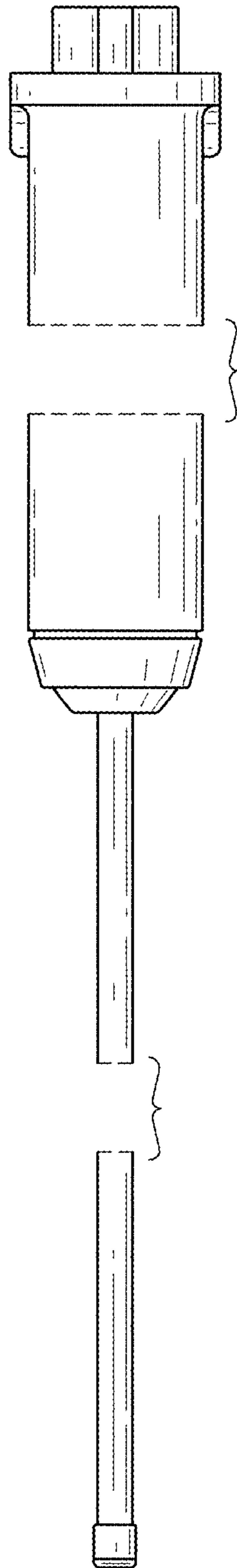


FIG.3

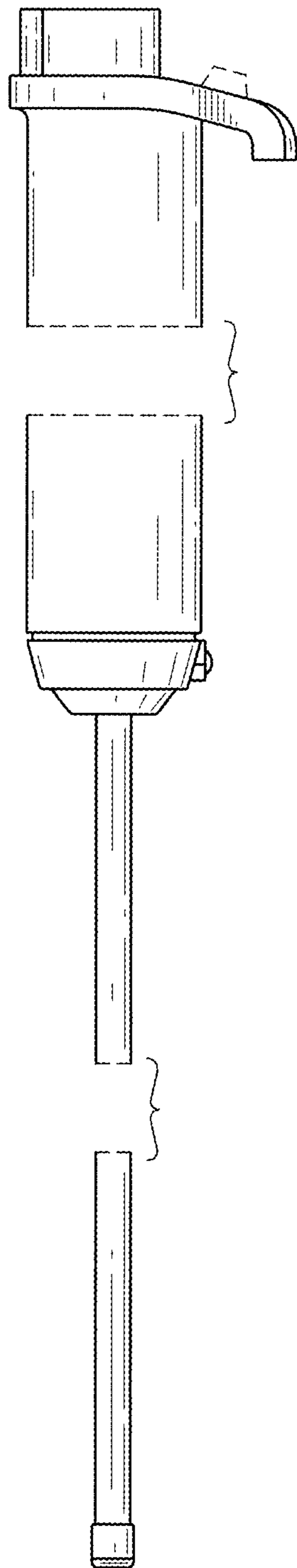


FIG.4

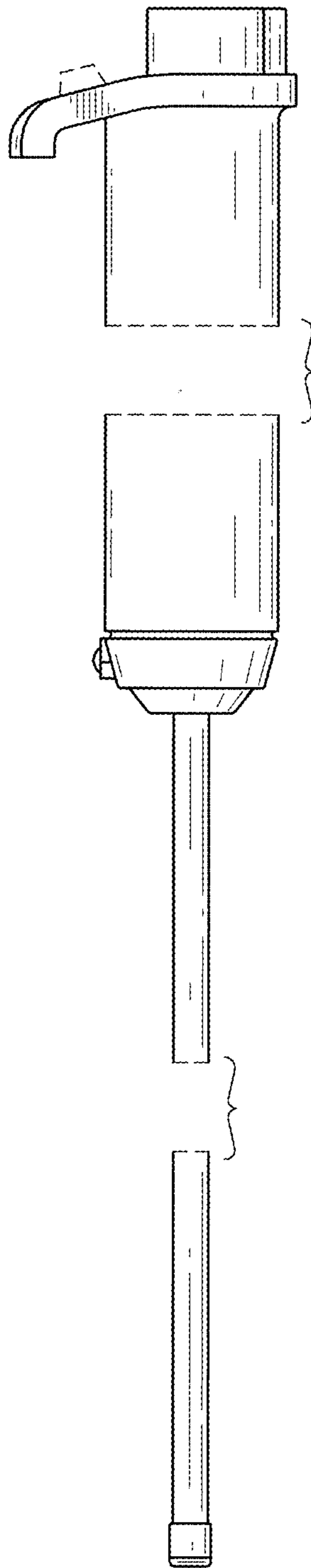


FIG.5

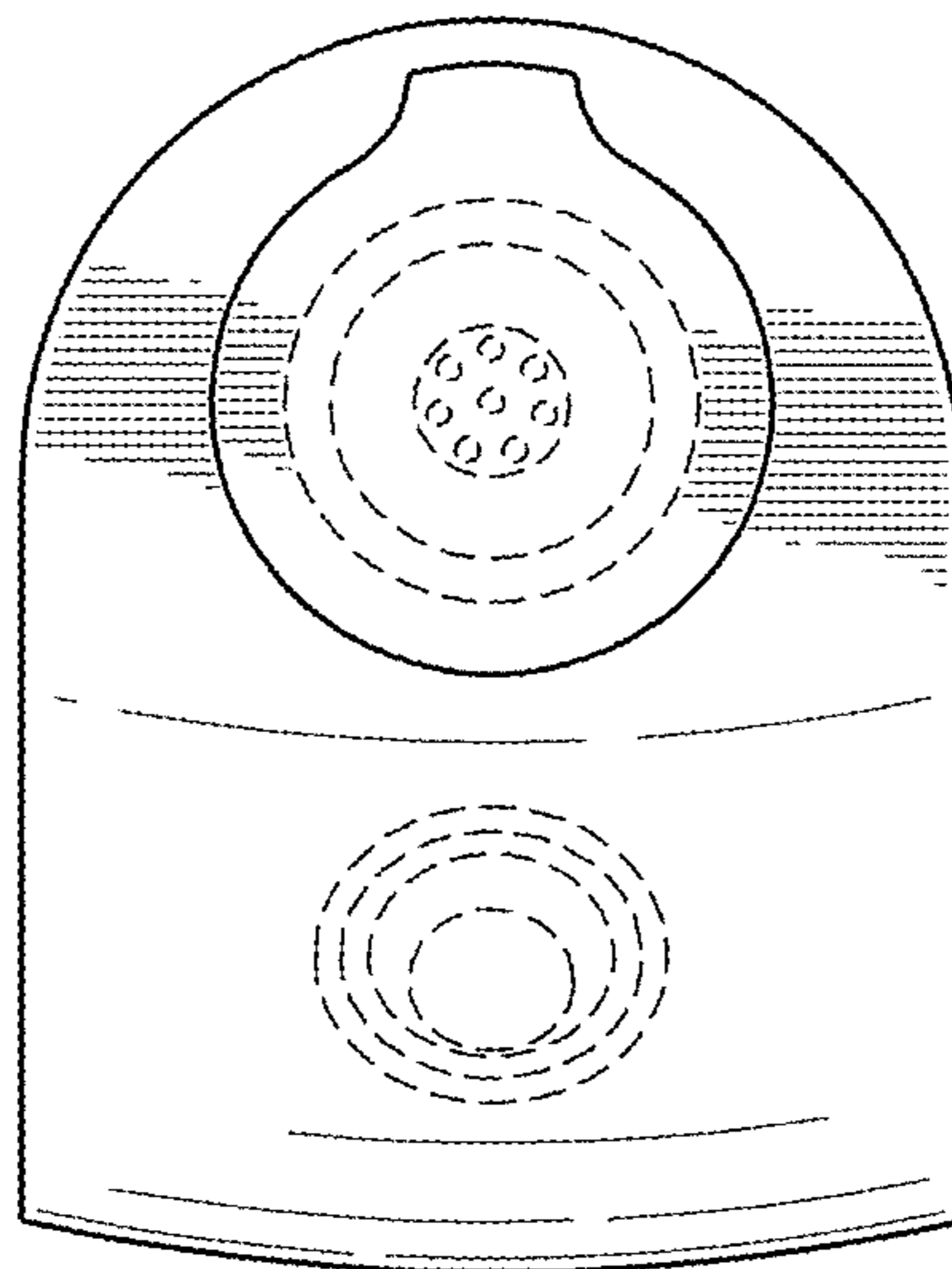


FIG.6

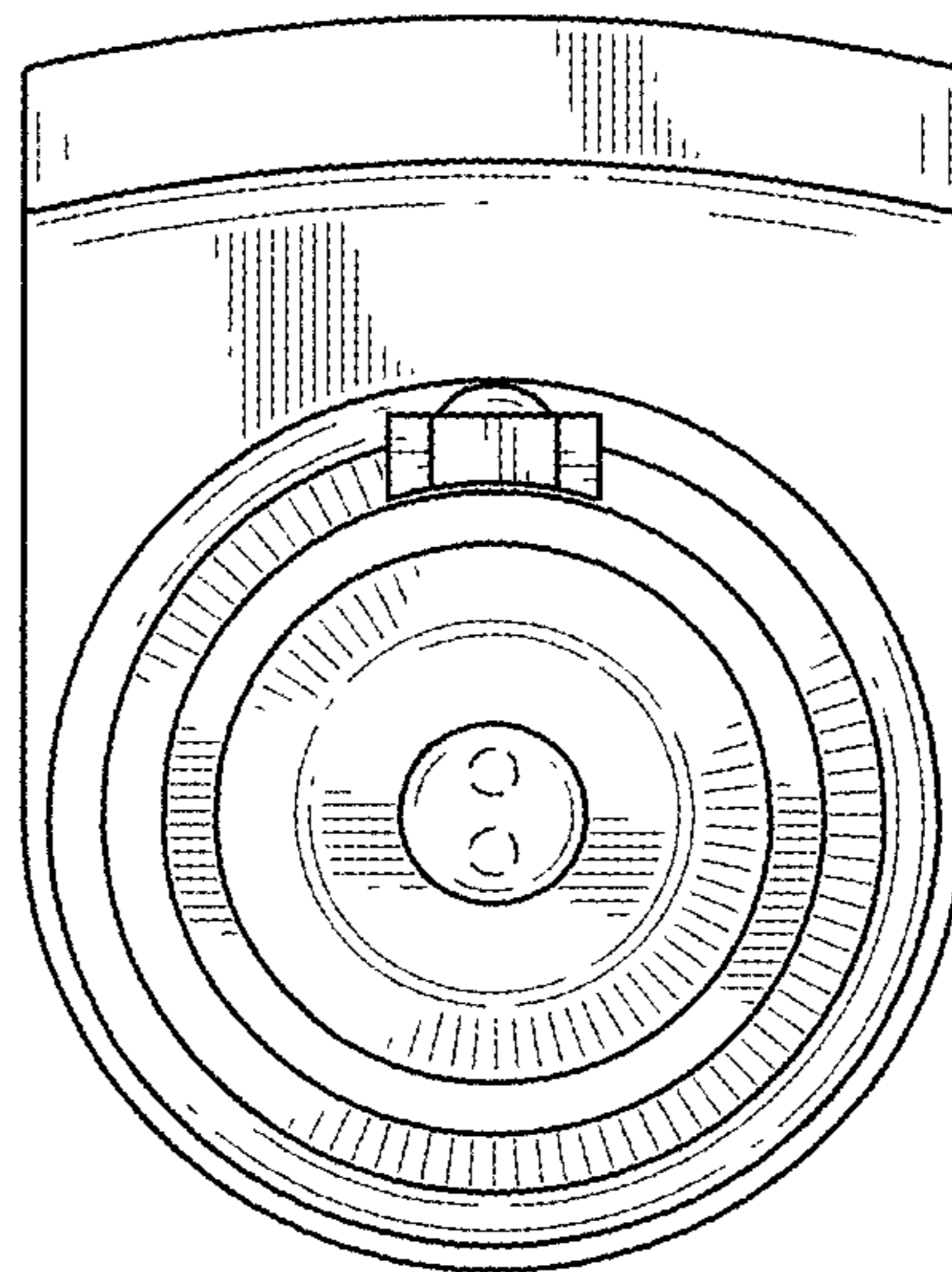


FIG.7