



US00D865168S

(12) **United States Design Patent** (10) **Patent No.:** **US D865,168 S**  
**Terblanche et al.** (45) **Date of Patent:** **\*\* Oct. 29, 2019**

(54) **PLANTAR PLATE REPAIR DEVICE**

(71) Applicant: **ORTHOCAPE (PTY) LTD**, Port Elizabeth (ZA)  
(72) Inventors: **Ignatius Petrus Stefanus Terblanche**, Milnerton (ZA); **Jacques Marais**, Durbanville (ZA); **Jacobus Frederick Janse Van Vuuren**, Saldanha (ZA); **Stephan Janse Van Vuuren**, Saldanha (ZA)  
(73) Assignee: **ORTHOCAPE (PTY) LTD**, Port Elizabeth (ZA)  
(\*\*) Term: **15 Years**

(21) Appl. No.: **29/608,243**

(22) Filed: **Jun. 20, 2017**

(30) **Foreign Application Priority Data**

Dec. 21, 2016 (ZA) ..... A2016/02121  
Dec. 21, 2016 (ZA) ..... F2016/02120

(51) **LOC (12) Cl.** ..... **24-02**

(52) **U.S. Cl.**  
USPC ..... **D24/135**

(58) **Field of Classification Search**  
USPC ..... D24/135, 133, 137, 138, 171, 140, 141, D24/145, 146, 147

(Continued)

(56) **References Cited**

**U.S. PATENT DOCUMENTS**

D52,645 S \* 11/1918 Friedman ..... D24/135  
D430,668 S \* 9/2000 Koros ..... D24/135  
(Continued)

**FOREIGN PATENT DOCUMENTS**

FR 2272632 \* 12/1975 ..... A61B 1/267  
JP 2004130109 A \* 4/2004 ..... A61B 17/15

**OTHER PUBLICATIONS**

Arthrex. <URL: <https://www.arthrex.com/resources/animation/BOh1oSfVOEy24QE2LfZb9g/cpr-complete-plantar-plate-repair>> Feb. 10, 2014. Arthrex—CPR™ Complete Plantar Plate Repair.\*

*Primary Examiner* — Susan Bennett Hattan  
*Assistant Examiner* — Lauren D McVey  
(74) *Attorney, Agent, or Firm* — Blank Rome LLP

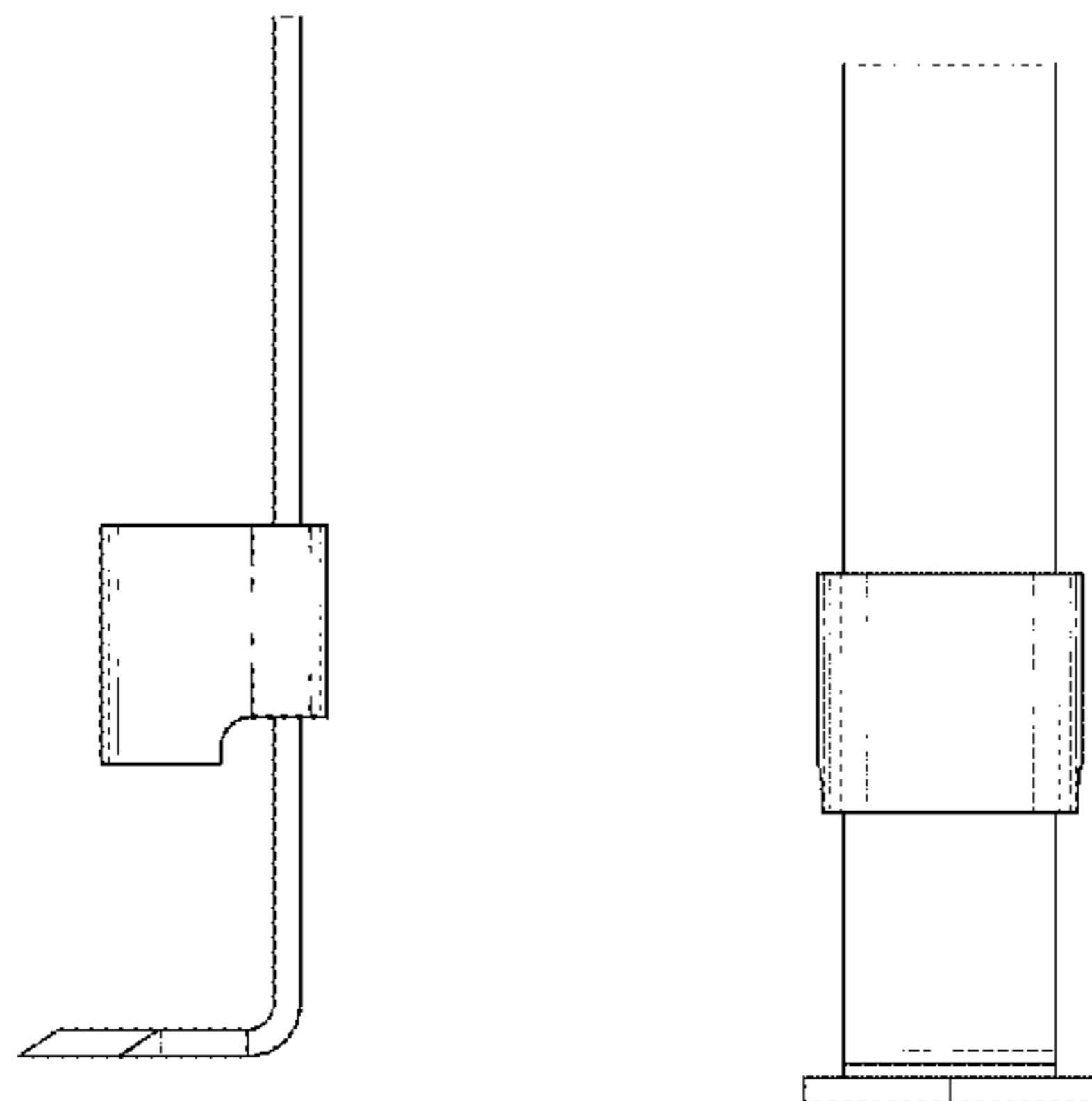
(57) **CLAIM**

The ornamental design for a plantar plate repair device, as shown and described.

**DESCRIPTION**

FIG. 1 is a front, top, and left-side perspective view of a first embodiment of a plantar plate repair device, showing our new design;  
FIG. 2 is a front, bottom, and right-side perspective view thereof;  
FIG. 3 is a right-side elevation view thereof;  
FIG. 4 is a left-side elevation view thereof;  
FIG. 5 is a front elevation view thereof;  
FIG. 6 is rear elevation view thereof;  
FIG. 7 is a top plan view thereof;  
FIG. 8 is a bottom plan view thereof;  
FIG. 9 is a front, top, and left-side perspective view thereof, shown with environment in order to show aspects of the design not otherwise apparent;  
FIG. 10 is a front, bottom, and right-side perspective view thereof;  
FIG. 11 is a front elevation view thereof;  
FIG. 12 is a rear elevation view thereof;  
FIG. 13 is a top elevation view thereof;  
FIG. 14 is a bottom plan view thereof;  
FIG. 15 is a right-side elevation view thereof; and,  
FIG. 16 is a left-side elevation view thereof.  
The dot-dot-dash broken lines represent the bounds of the claimed design and form no part of the claimed design. The

(Continued)



evenly spaced broken lines are included for the purpose of illustrating environment and form no part of the claimed design.

**1 Claim, 6 Drawing Sheets**

(58) **Field of Classification Search**

CPC ..... A61B 17/0469; A61B 17/025; A61B  
17/0485

See application file for complete search history.

(56) **References Cited**

U.S. PATENT DOCUMENTS

D453,377	S *	2/2002	Schollhorn	.....	D24/135
D498,845	S *	11/2004	Gray	.....	D24/135
D574,955	S *	8/2008	Lash	.....	D24/135
D599,479	S *	9/2009	Petersen	.....	D24/133
D615,198	S *	5/2010	Mao	.....	D24/135
D629,898	S *	12/2010	Bigelow	.....	D24/128
D683,853	S *	6/2013	Bender	.....	D24/135
D756,513	S *	5/2016	Cheney	.....	D24/133
9,615,819	B2 *	4/2017	Hanson	.....	A61B 17/0206
2013/0090662	A1 *	4/2013	Hanson	.....	A61B 17/1739
					606/96
2017/0196575	A1 *	7/2017	Hanson	.....	A61B 17/1775

\* cited by examiner

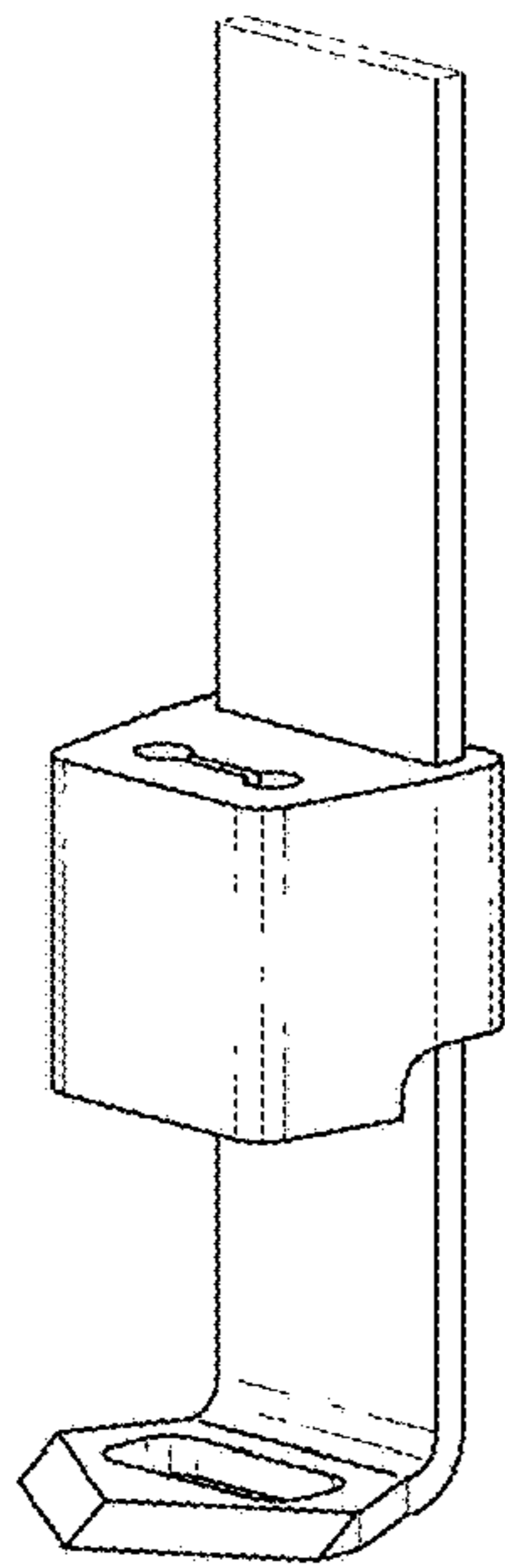


FIG. 1

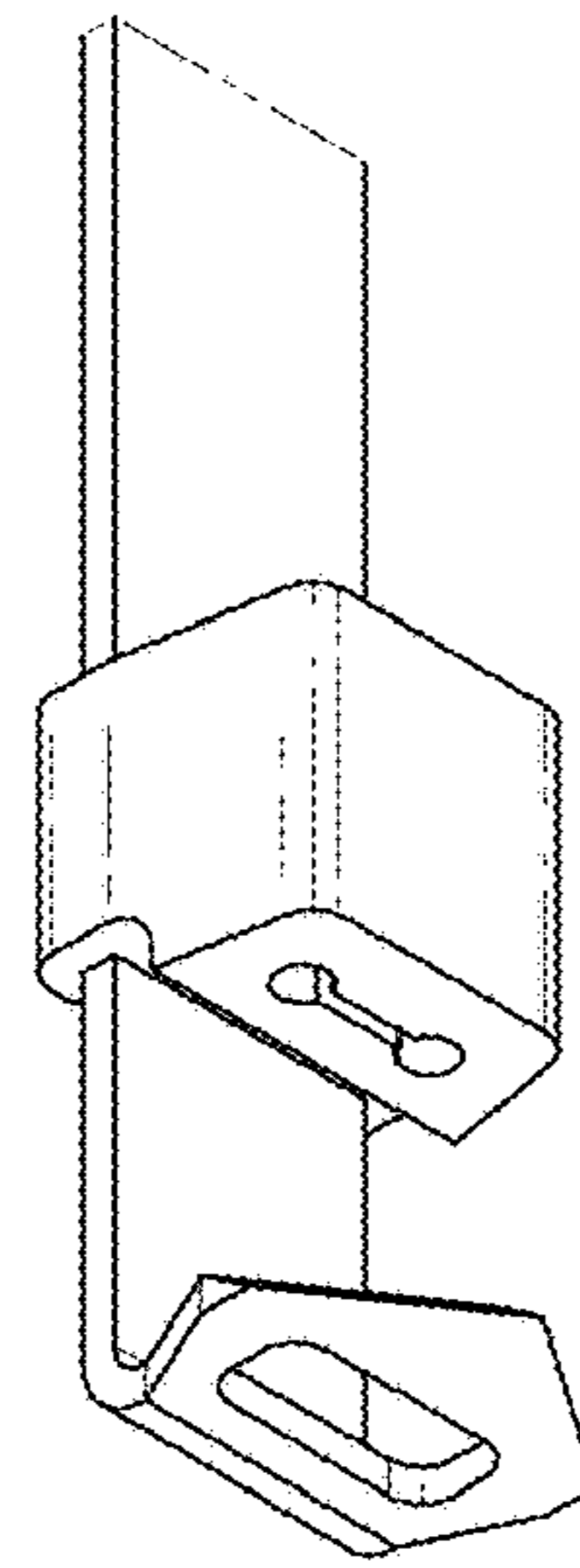


FIG. 2

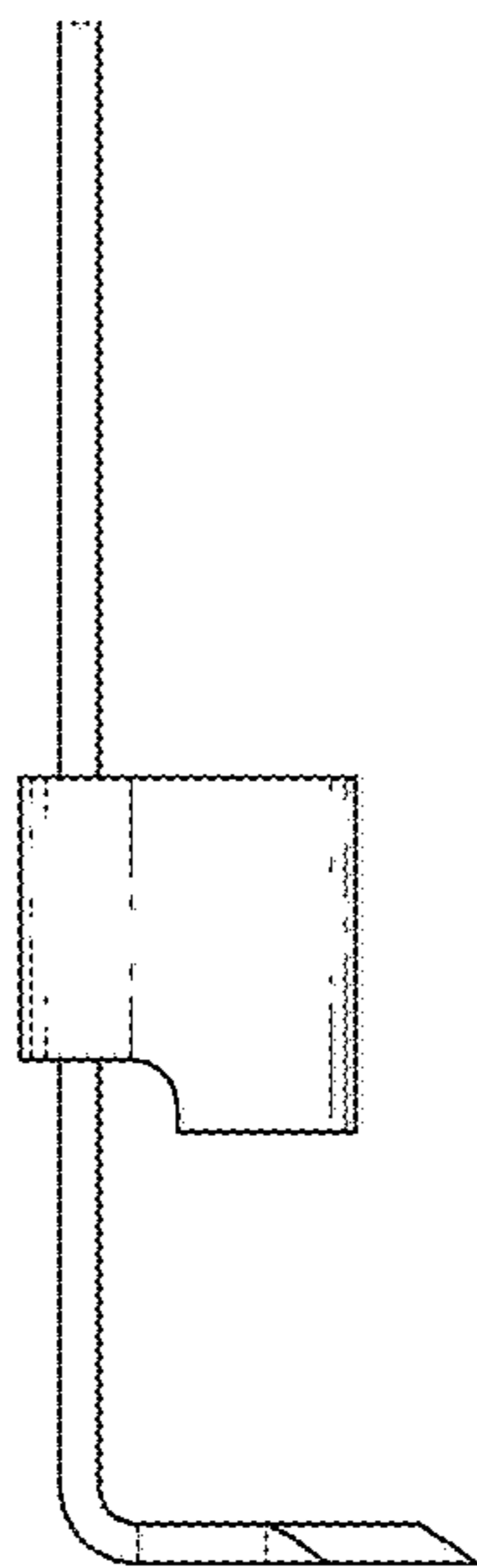


FIG. 3

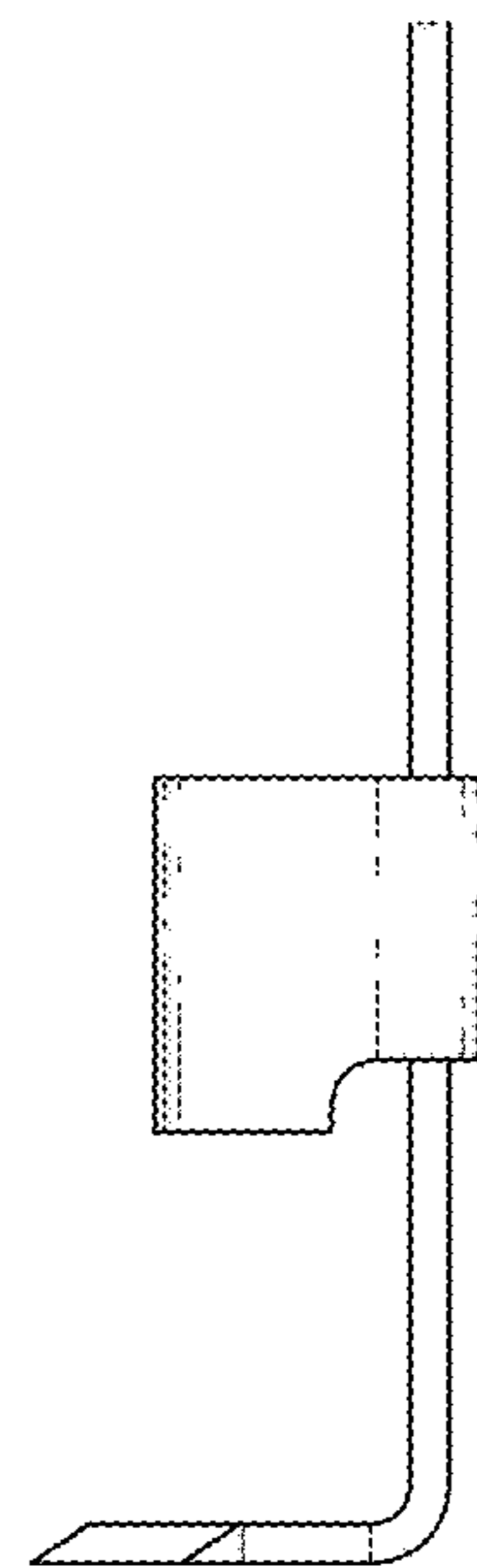


FIG. 4

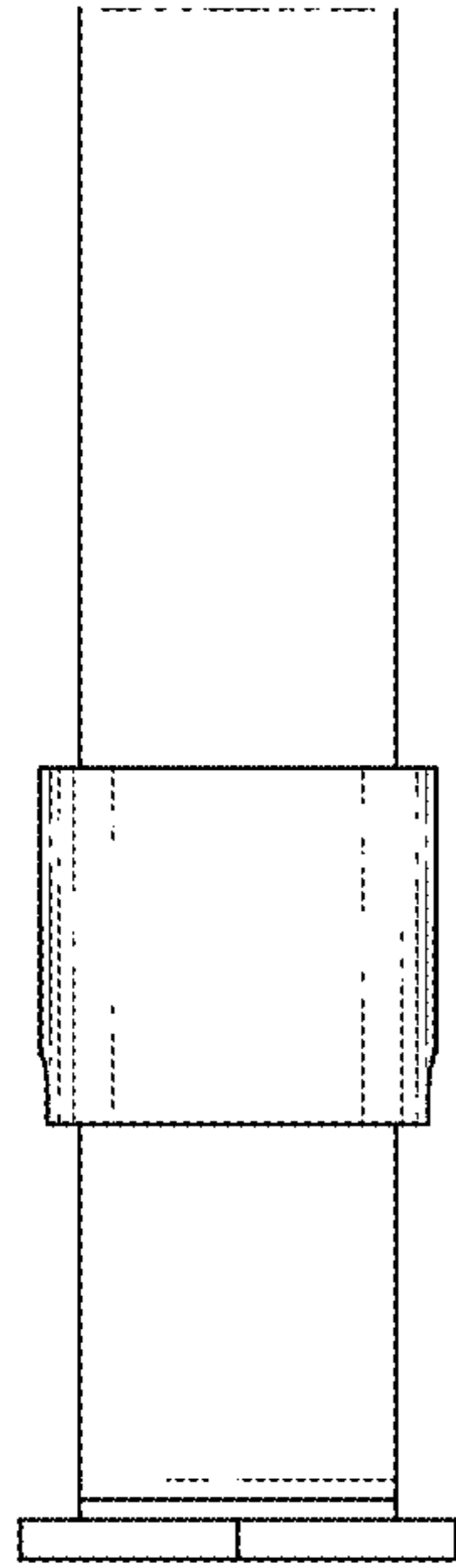


FIG. 5

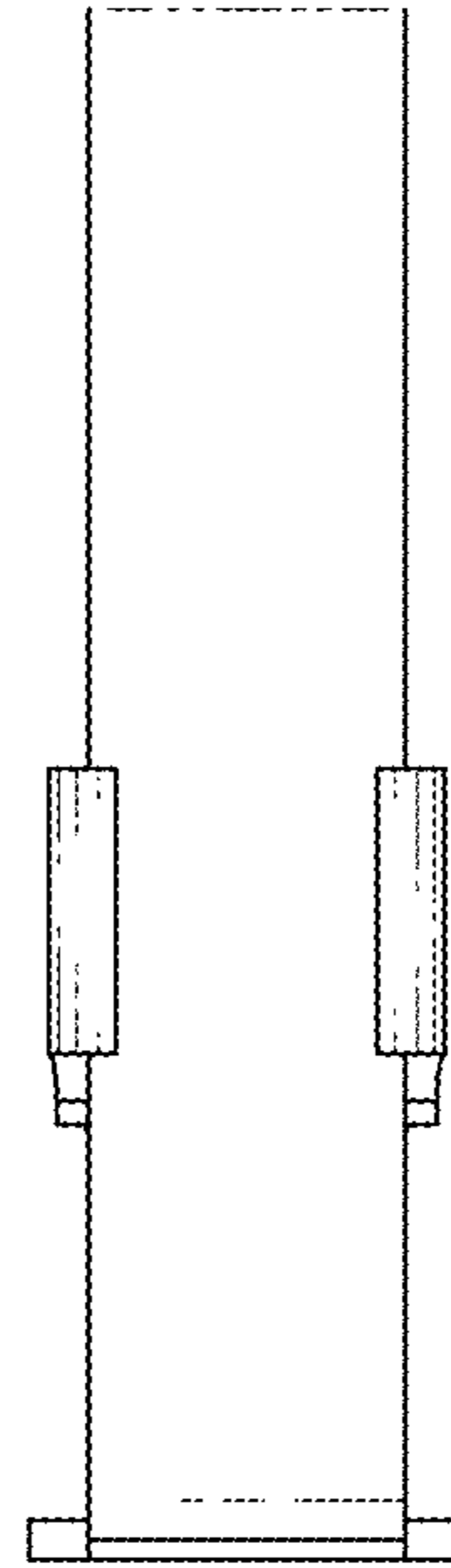


FIG. 6

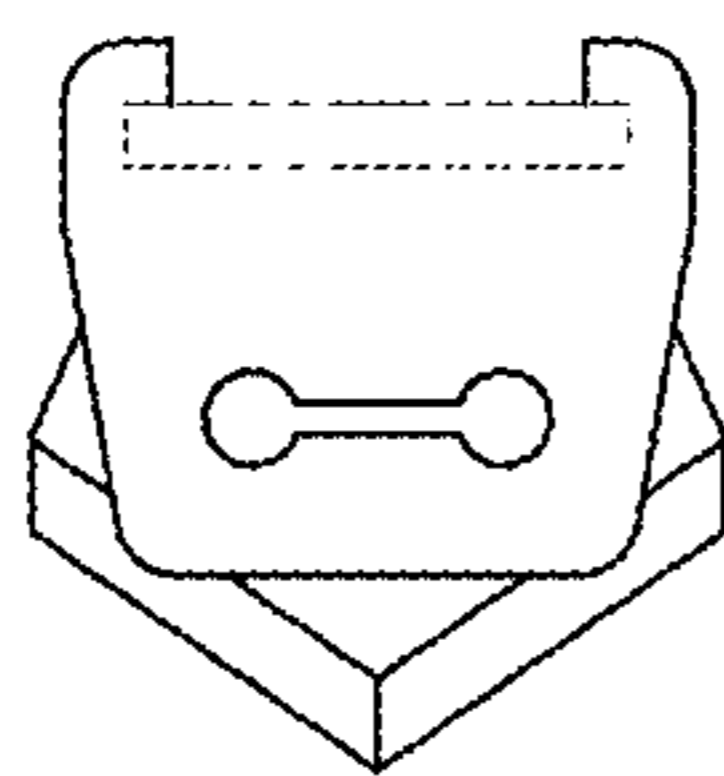


FIG. 7

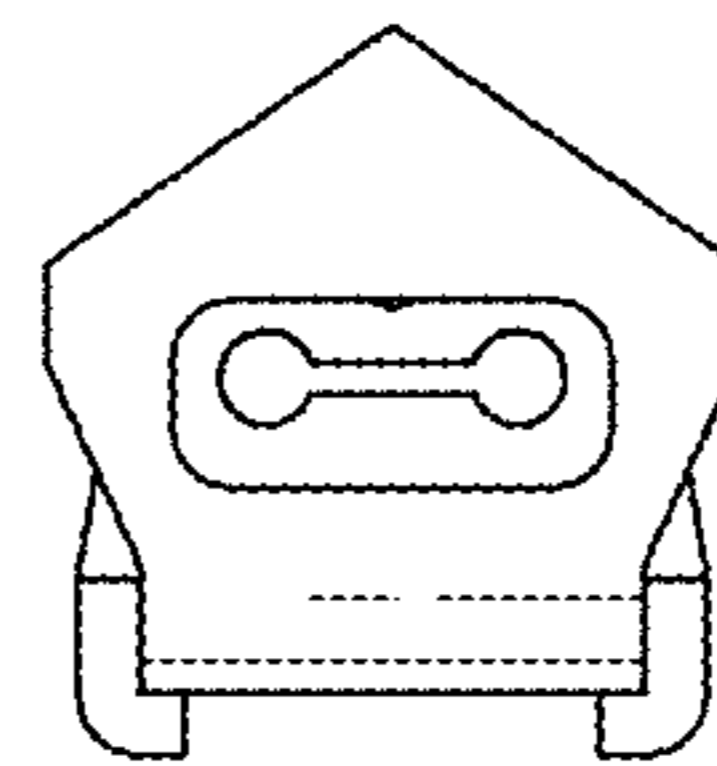


FIG. 8

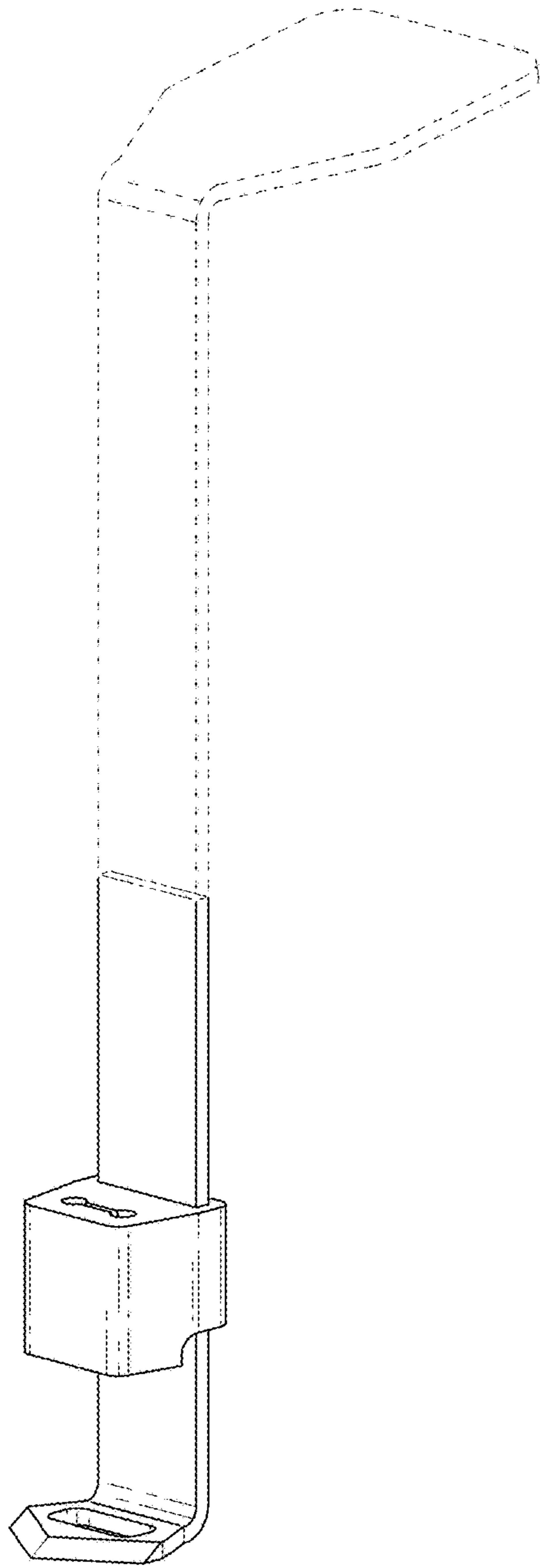


FIG. 9

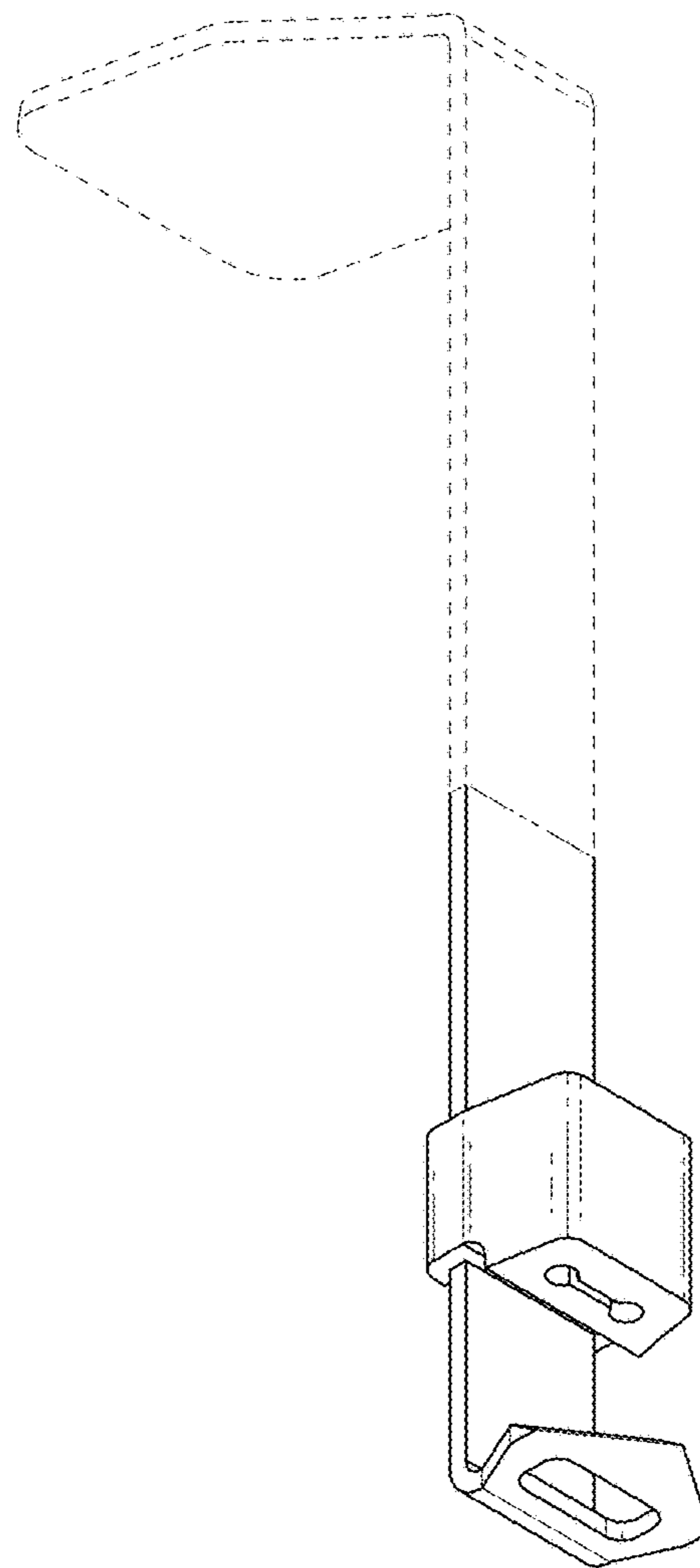


FIG. 10

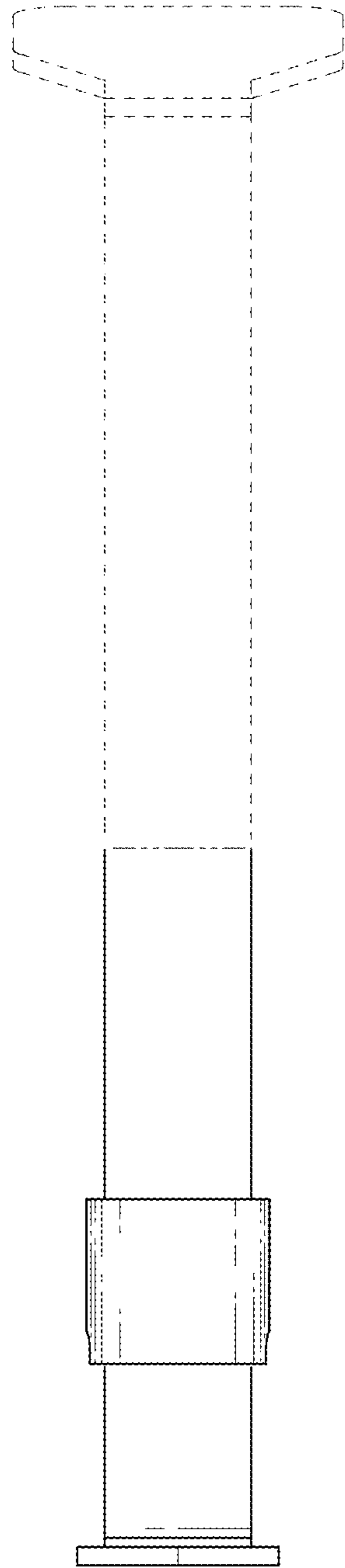


FIG. 11

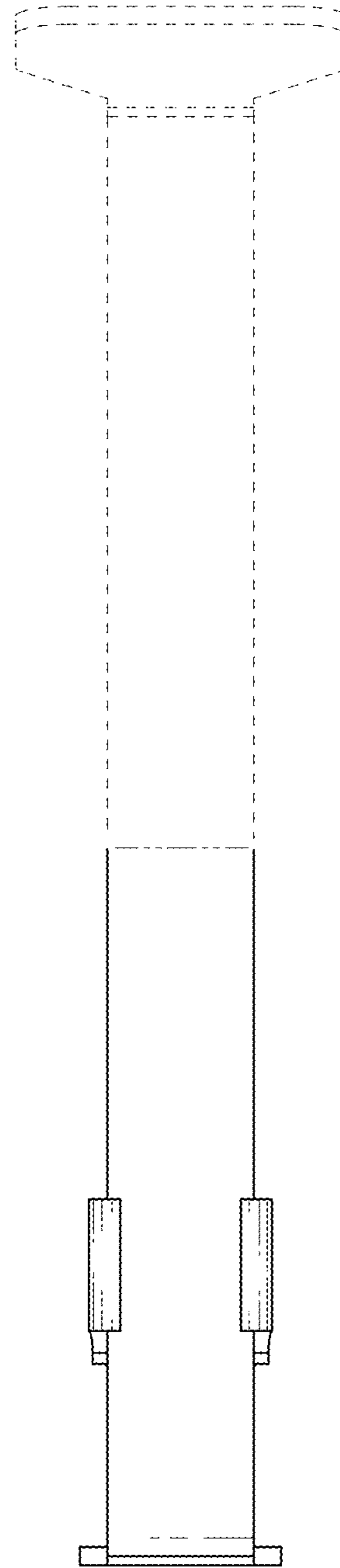


FIG. 12

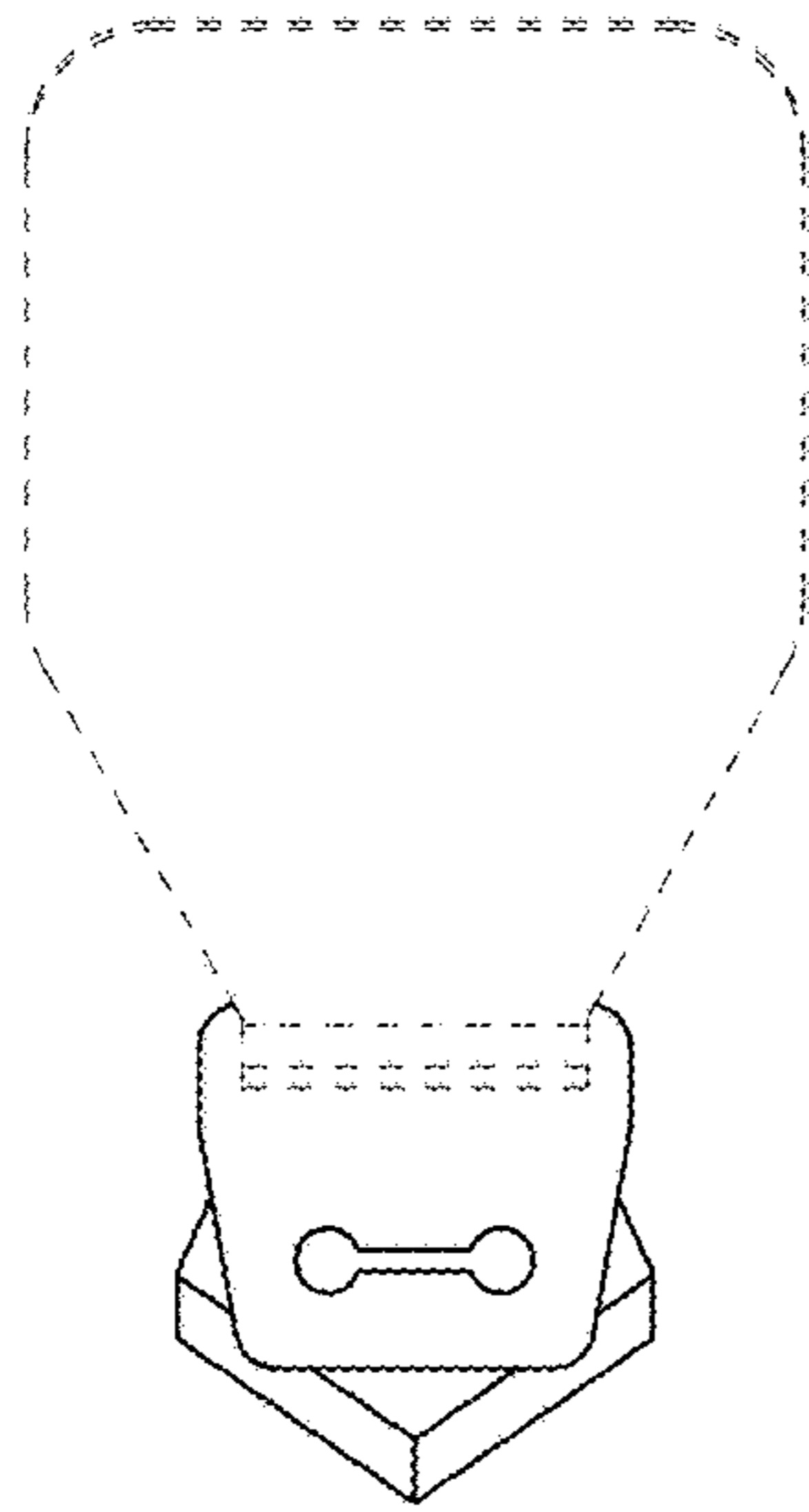


FIG. 13

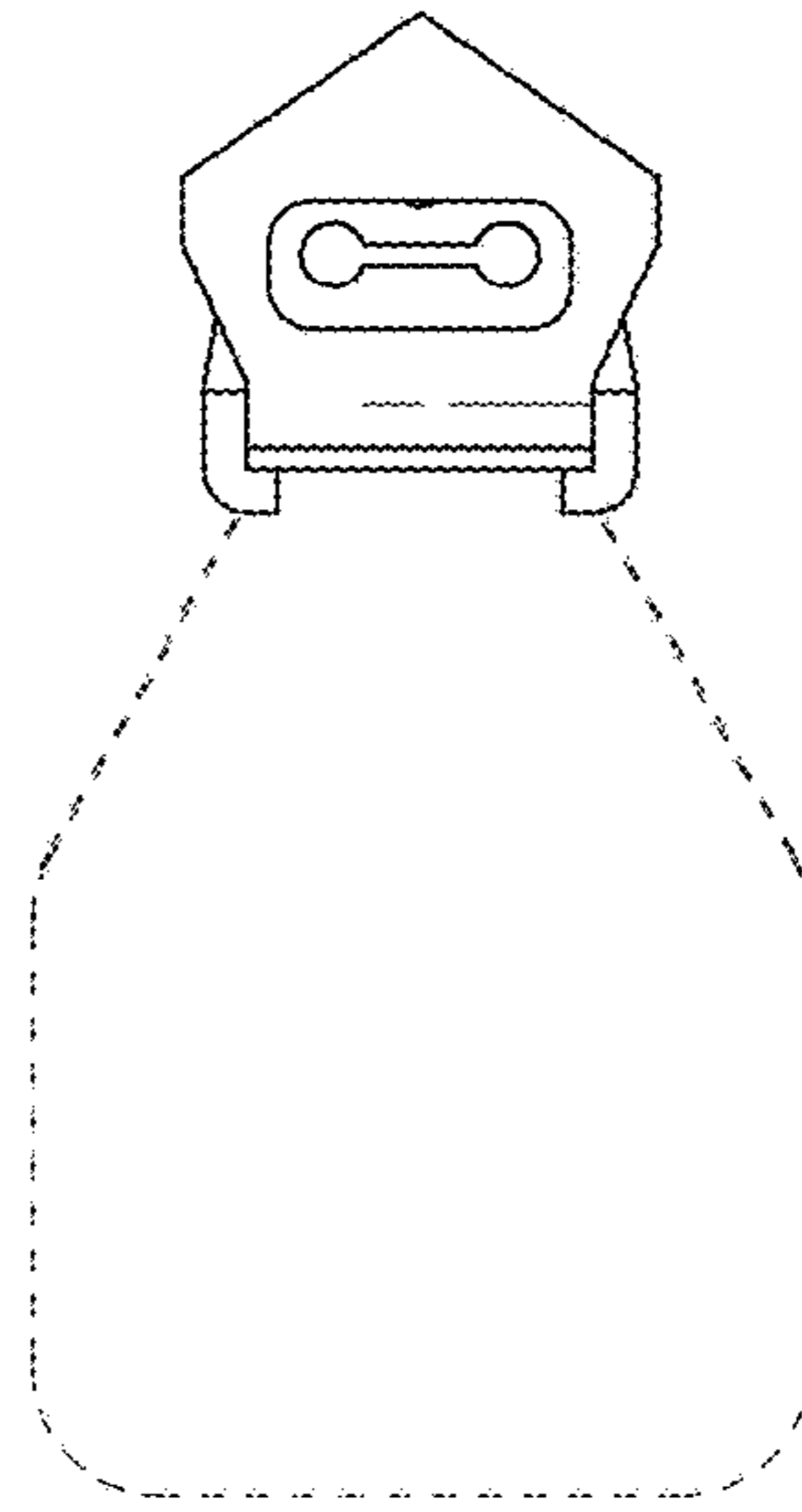


FIG. 14

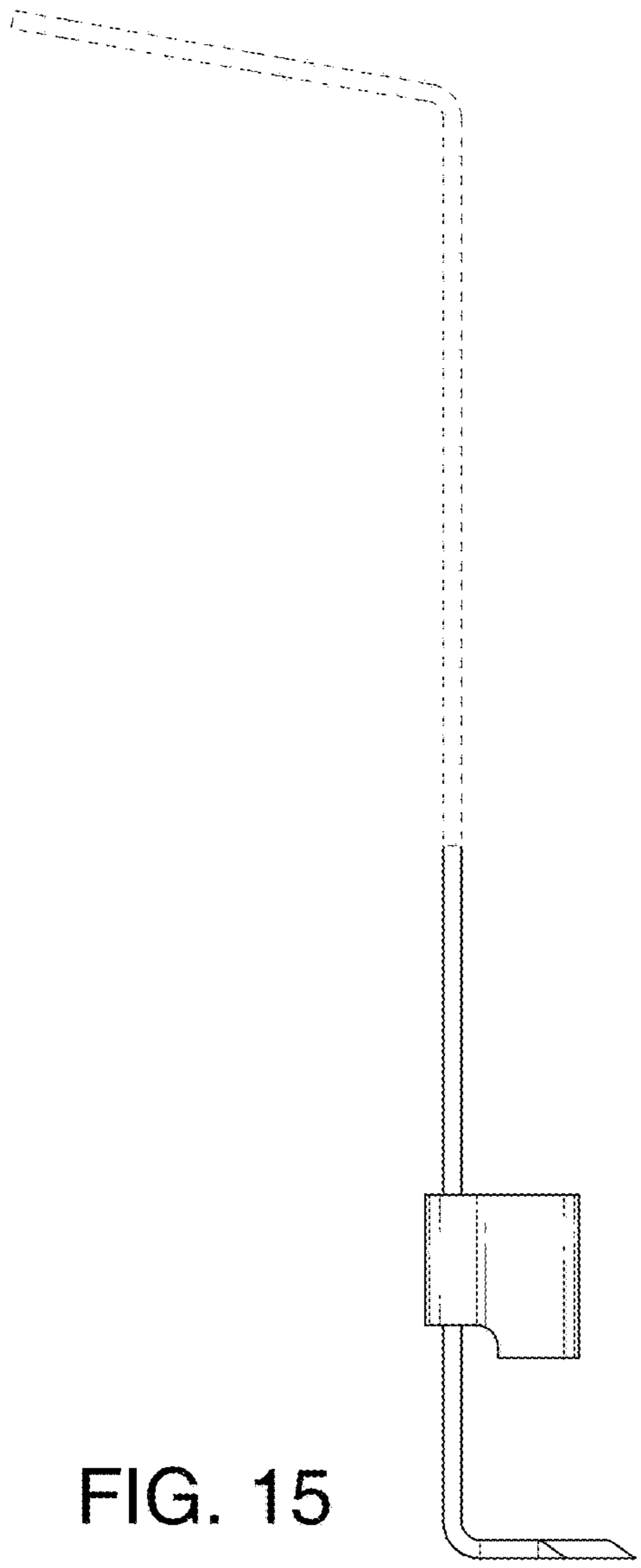


FIG. 15

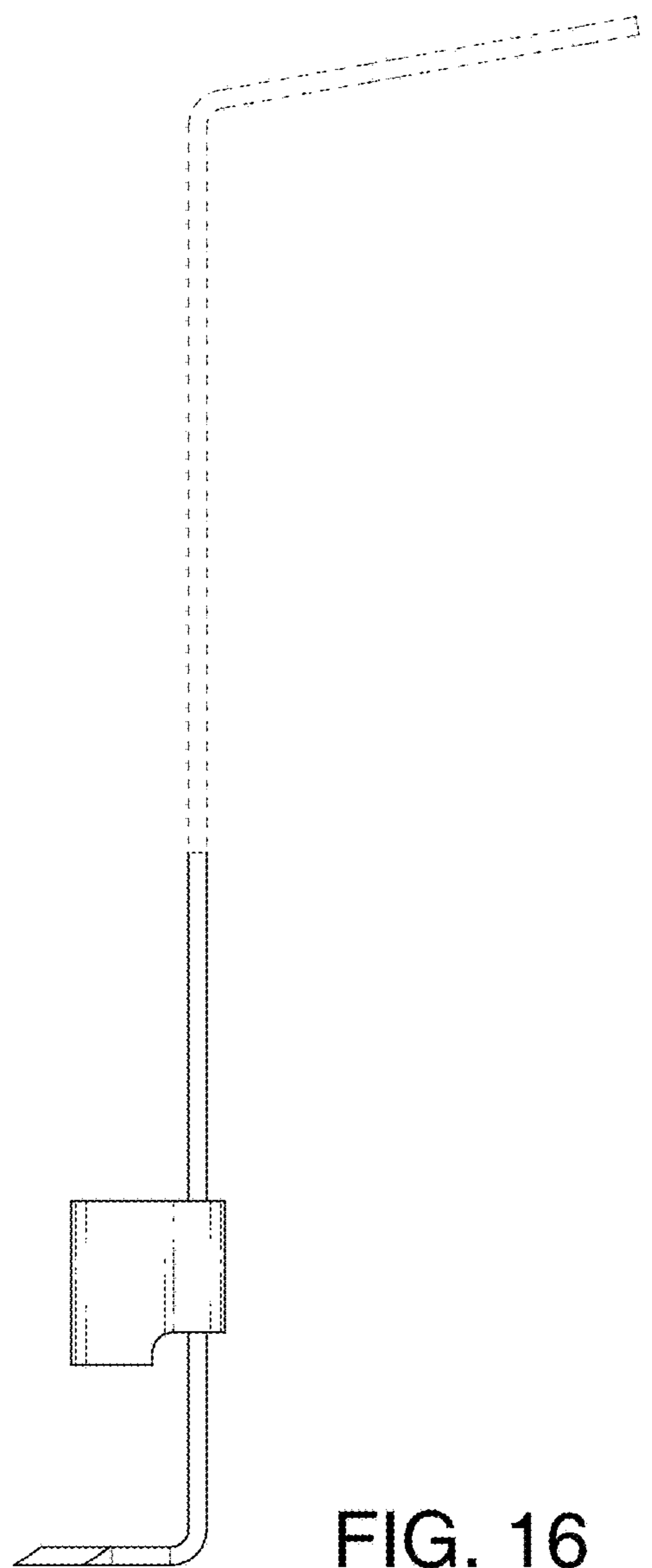


FIG. 16