



US00D865165S

(12) **United States Design Patent** (10) **Patent No.:** **US D865,165 S**
Racz et al. (45) **Date of Patent:** **** Oct. 29, 2019**

(54) **MEDICAL DEVICE ANCHOR** 4,406,042 A * 9/1983 McPhee A61M 5/1418
24/129 A
(71) Applicant: **Custom Medical Applications, Inc.**, 4,419,819 A 12/1983 Dickhudt et al.
Johnstown, NY (US) 4,913,164 A 4/1990 Greene et al.
5,238,007 A 8/1993 Giele et al.
(72) Inventors: **N. Sandor Racz**, Farmers Branch, TX 5,344,439 A 9/1994 Otten
(US); **James Shoemake**, Dallas, TX 5,584,874 A 12/1996 Rugland et al.
(US) (Continued)

FOREIGN PATENT DOCUMENTS

(73) Assignee: **Custom Medical Applications, Inc.**, EP 0779080 6/1997
Johnstown, NY (US) FR 779080 3/1935
(**) Term: **15 Years** (Continued)

OTHER PUBLICATIONS

(21) Appl. No.: **29/584,674**
(22) Filed: **Nov. 16, 2016**
Related U.S. Application Data
(63) Continuation of application No. 15/039,027, filed as application No. PCT/US2014/067500 on Nov. 25, 2014.
Search Report in European Patent Application No. 14863371.2 dated Jul. 27, 2017 (7 pages).
(Continued)

Primary Examiner — David G Muller
(74) *Attorney, Agent, or Firm* — TraskBritt

(51) **LOC (12) Cl.** **24-02**

(52) **U.S. Cl.**
USPC **D24/130**

(58) **Field of Classification Search**

USPC D24/127-131, 112-114, 133, 186;
606/181, 185; 604/264, 523-528, 272,
604/187, 158, 164.01-164.11, 181, 184,
604/227; 600/101, 139, 143;
128/200.24, 207.14, 207.15
CPC A61F 2/848; A61F 2/852; A61M 5/1418;
A61M 25/065; A61M 5/42; A61M
25/0612; A61M 25/00; A61M 39/00;
A61M 27/00; A61M 25/0043

See application file for complete search history.

(57) **CLAIM**

The ornamental design for a medical device anchor, as shown and described.

DESCRIPTION

FIG. 1 is a perspective view showing the design in a deployed state;
FIG. 2 is a side view thereof;
FIG. 3 is another side view thereof;
FIG. 4 is an end view thereof;
FIG. 5 is another end view thereof; and,
FIG. 6 is another perspective view showing the embodiment of FIG. 1 in a retracted state.

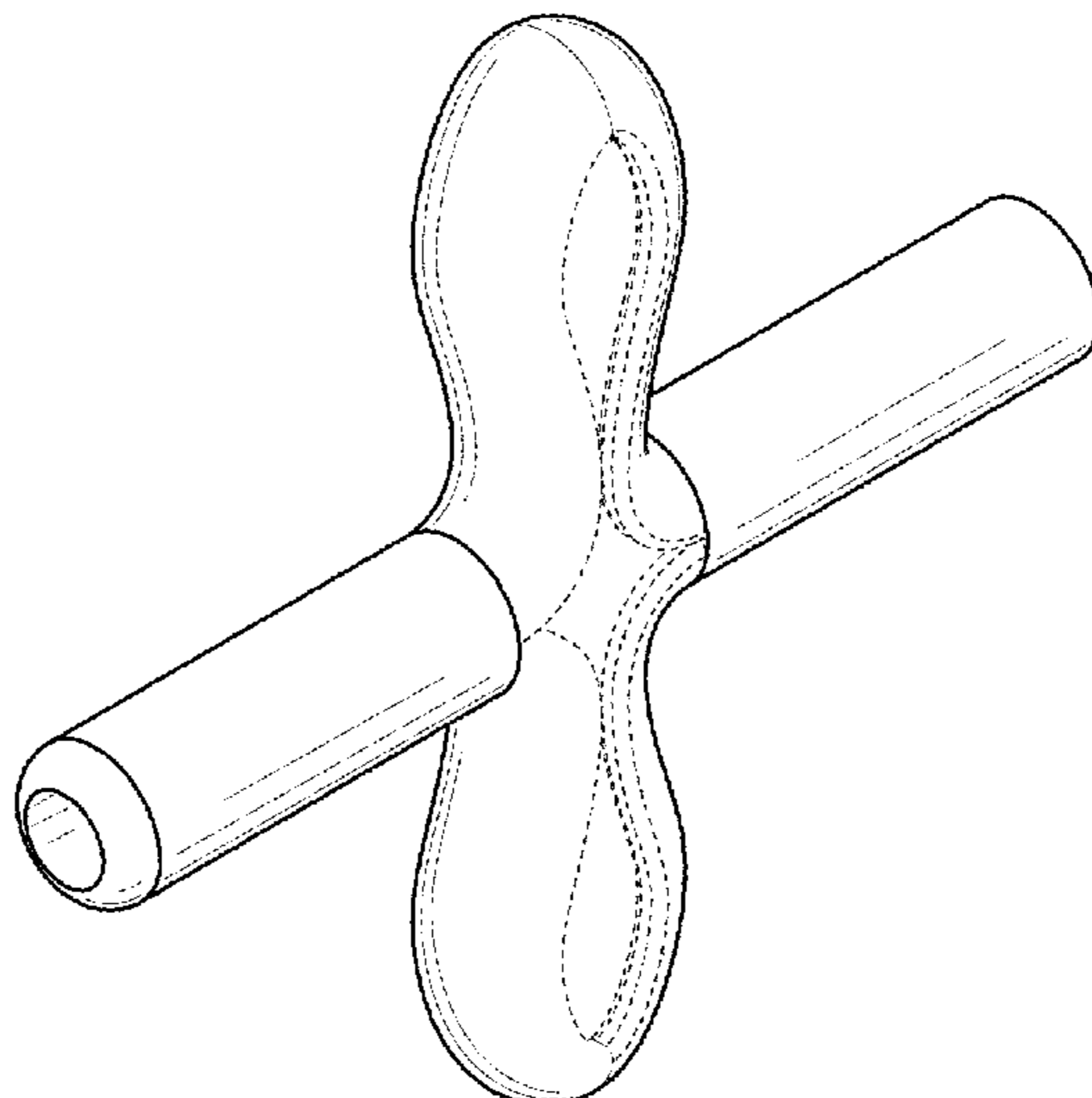
The broken line showing of parts of the drawings is included for the purpose of illustrating use and environment and forms no part of the claimed design.

(56) **References Cited**

U.S. PATENT DOCUMENTS

3,397,699 A 8/1968 Kohl
4,374,527 A 2/1983 Iversen

1 Claim, 2 Drawing Sheets



(56)

References Cited

U.S. PATENT DOCUMENTS

5,658,309 A 8/1997 Berthiaume et al.
 5,769,786 A 6/1998 Wiegel
 6,358,256 B1 3/2002 Reinhardt
 6,473,654 B1 10/2002 Chinn
 6,517,573 B1* 2/2003 Pollock A61F 2/07
 623/1.13
 6,901,287 B2 5/2005 Davis et al.
 7,056,286 B2* 6/2006 Ravenscroft A61B 17/12022
 600/200
 7,090,661 B2 8/2006 Morris et al.
 D531,724 S* 11/2006 Gessert D24/133
 7,270,650 B2 9/2007 Morris et al.
 7,509,169 B2 3/2009 Eigler et al.
 7,517,337 B2 4/2009 Morris et al.
 7,591,970 B2* 9/2009 Olson A61M 25/00
 264/250
 7,731,132 B2* 6/2010 Raines, Jr. A61G 7/0503
 128/DIG. 26
 7,753,889 B2 7/2010 Rosenberg
 7,811,251 B2 10/2010 Wenchell et al.
 7,890,186 B2 2/2011 Wardle et al.
 8,016,794 B2 9/2011 Rosenberg et al.
 8,016,813 B2 9/2011 Rosenberg et al.
 8,038,653 B2 10/2011 Rosenberg et al.
 8,118,749 B2* 2/2012 White A61B 5/0215
 600/481
 8,142,401 B2 3/2012 Rosenberg
 8,192,402 B2 6/2012 Anderson et al.
 8,229,573 B2 7/2012 Chen et al.
 8,235,948 B2 8/2012 Rosenberg et al.
 8,295,948 B2 10/2012 Barker et al.
 8,298,281 B2* 10/2012 Majercak A61F 2/07
 623/1.36
 8,311,643 B2 11/2012 North
 8,333,687 B2 12/2012 Farnan et al.
 8,740,972 B2* 6/2014 Roeder A61F 2/848
 623/1.15
 D709,753 S* 7/2014 Guala D24/112
 D718,436 S* 11/2014 Redol D24/113
 D785,793 S* 5/2017 Landanger D24/133
 10,105,224 B2* 10/2018 Buchbinder A61F 2/2445

2001/0021824 A1 9/2001 Marsh et al.
 2001/0037141 A1 11/2001 Yee et al.
 2002/0161341 A1 10/2002 Stinson et al.
 2003/0199961 A1 10/2003 Bjorklund et al.
 2005/0065589 A1 3/2005 Schneider et al.
 2005/0288604 A1 12/2005 Eigler et al.
 2008/0172118 A1 7/2008 Johnson et al.
 2008/0183257 A1 7/2008 Imran et al.
 2009/0105746 A1 4/2009 Spenser et al.
 2009/0248054 A1 10/2009 Sage et al.
 2010/0030311 A1 2/2010 Lazeroms et al.
 2010/0125249 A1 5/2010 Rosenberg et al.
 2010/0174296 A1 7/2010 Vakharia et al.
 2012/0071833 A1 3/2012 Hill et al.
 2012/0083742 A1 4/2012 Nelson
 2014/0188165 A1 7/2014 Sengun et al.
 2014/0276418 A1 9/2014 Nelson et al.

FOREIGN PATENT DOCUMENTS

FR 2742058 6/1997
 JP 2007-532265 A 11/2007
 JP 2010516436 A 5/2010
 JP 2011500286 A 1/2011
 WO 2010085456 7/2010
 WO 2013070490 A1 5/2013
 WO 2015077796 5/2015

OTHER PUBLICATIONS

PCT International Search Report dated Mar. 3, 2015, PCT/US2014/067500.
 PCT Written Opinion dated Mar. 3, 2015, PCT/US2014/067500.
 PCT International Search Report dated Mar. 3, 2015, PCT/US2014/067500.
 Reasons for Refusal in Japanese Patent Application No. 2016-554835 dated Apr. 2, 2018 (14 pages with Translation).
 Search Report in Japanese Patent Application No. 2016-554835 dated Mar. 30, 2018 (61 pages with Translation).
 Reasons for Refusal in Japanese Patent Application No. 2016-554835 dated Feb. 18, 2019 (10 pages with Translation).

* cited by examiner

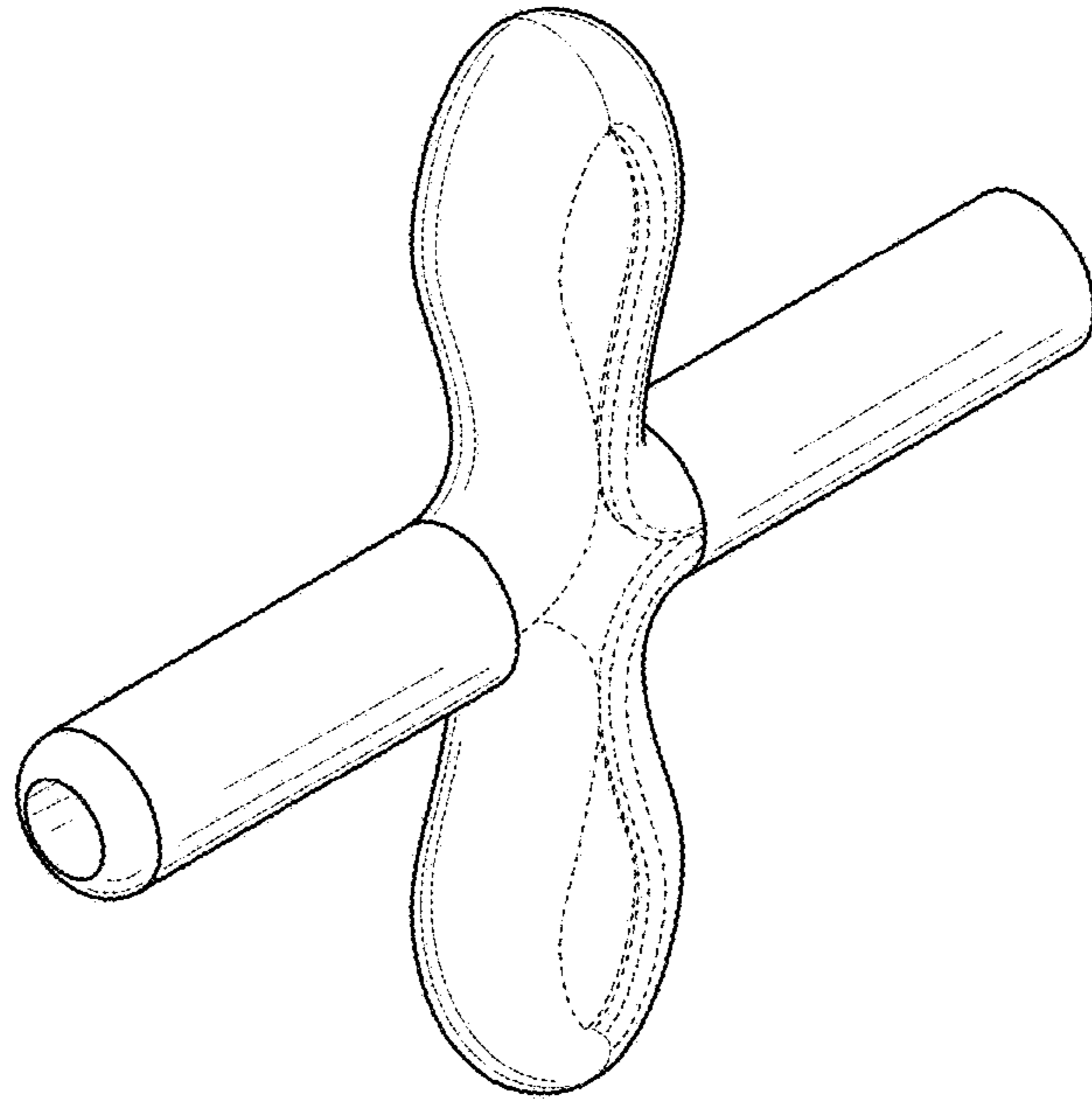


FIG. 1

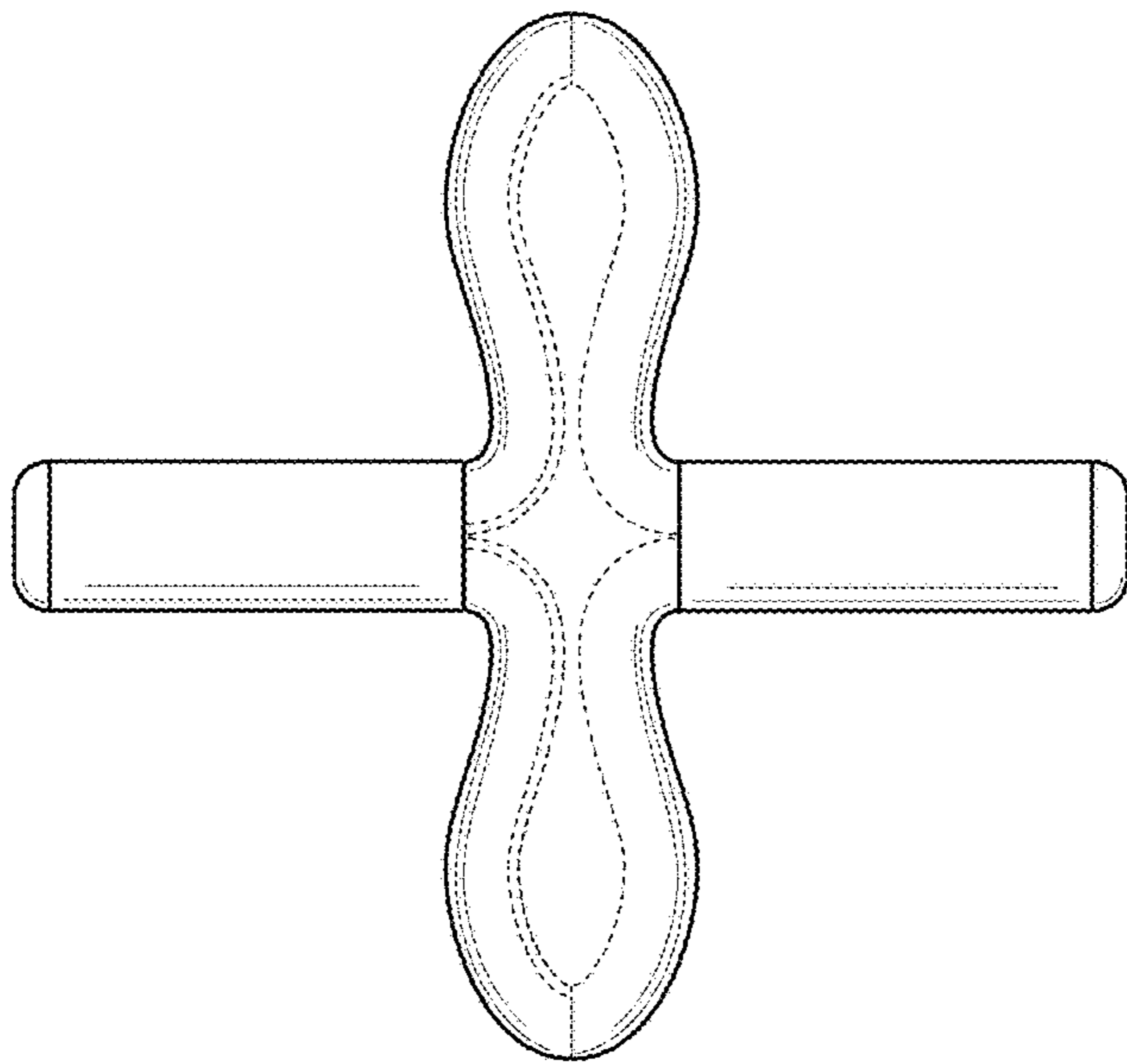


FIG. 2

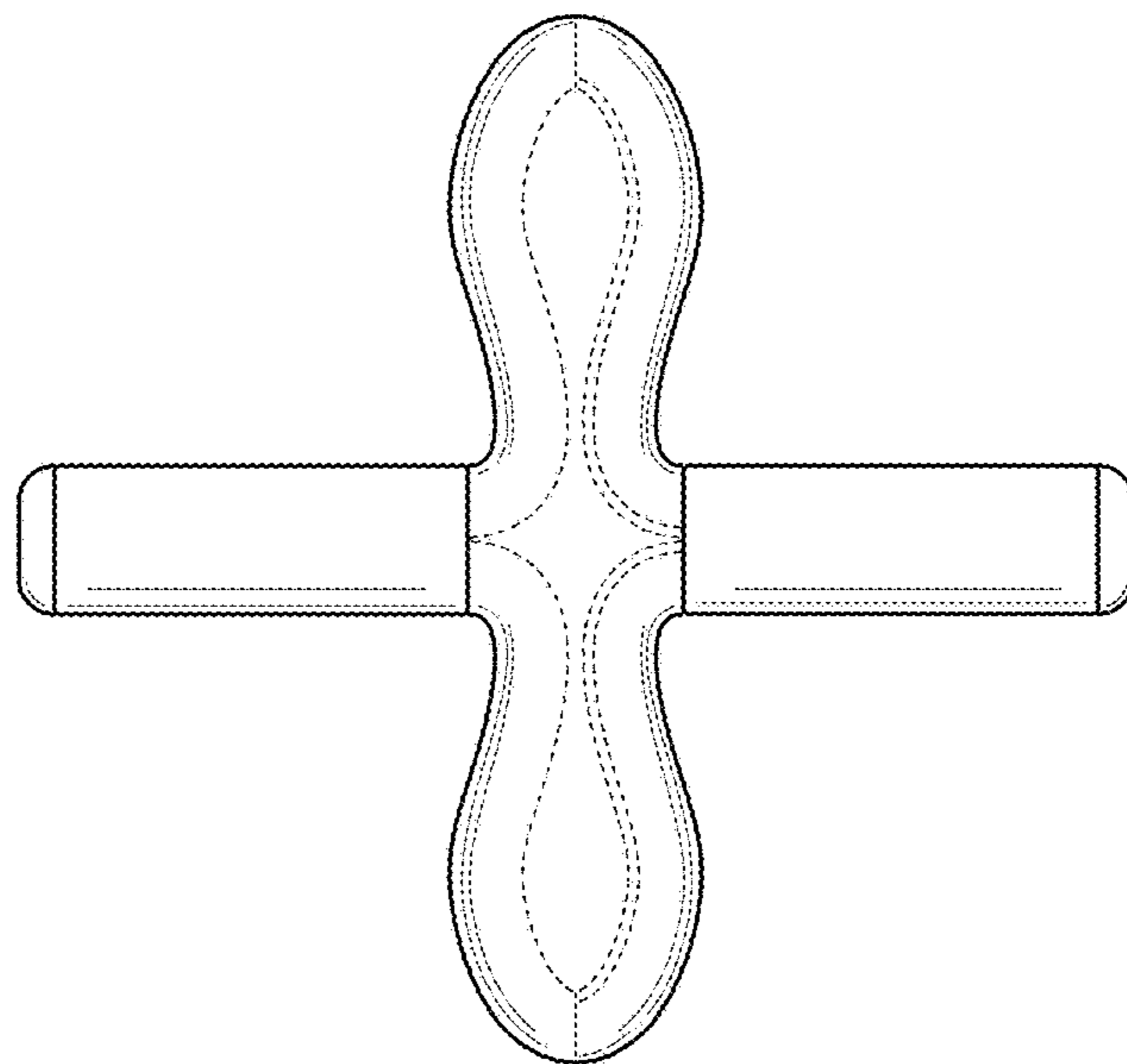


FIG. 3

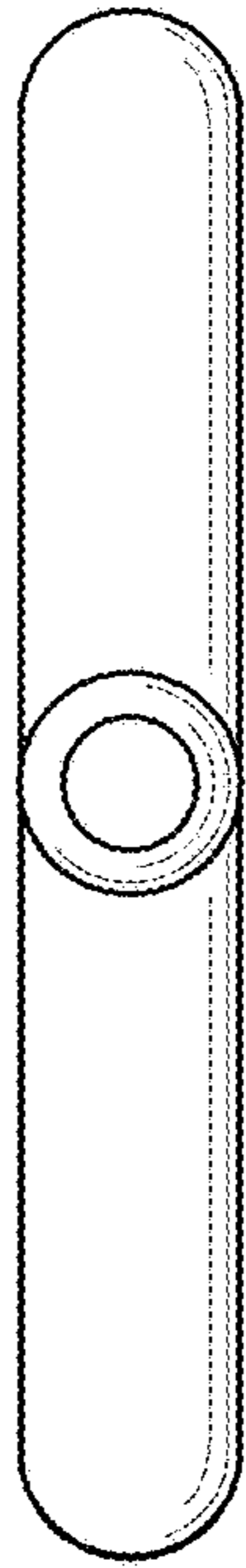


FIG. 4

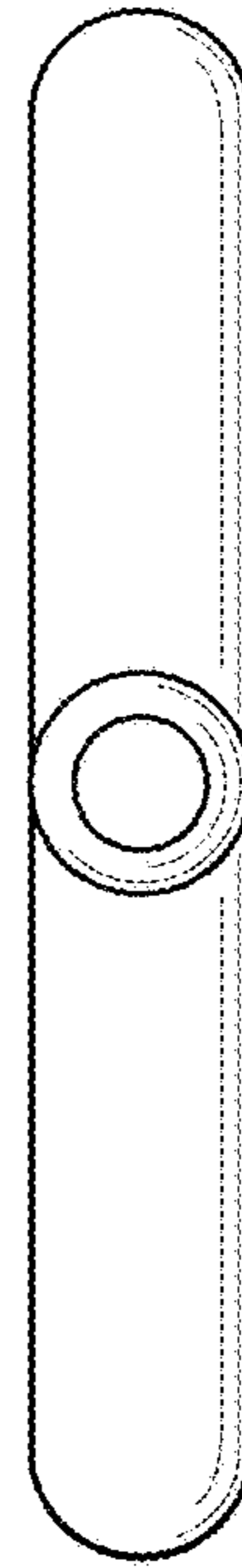


FIG. 5

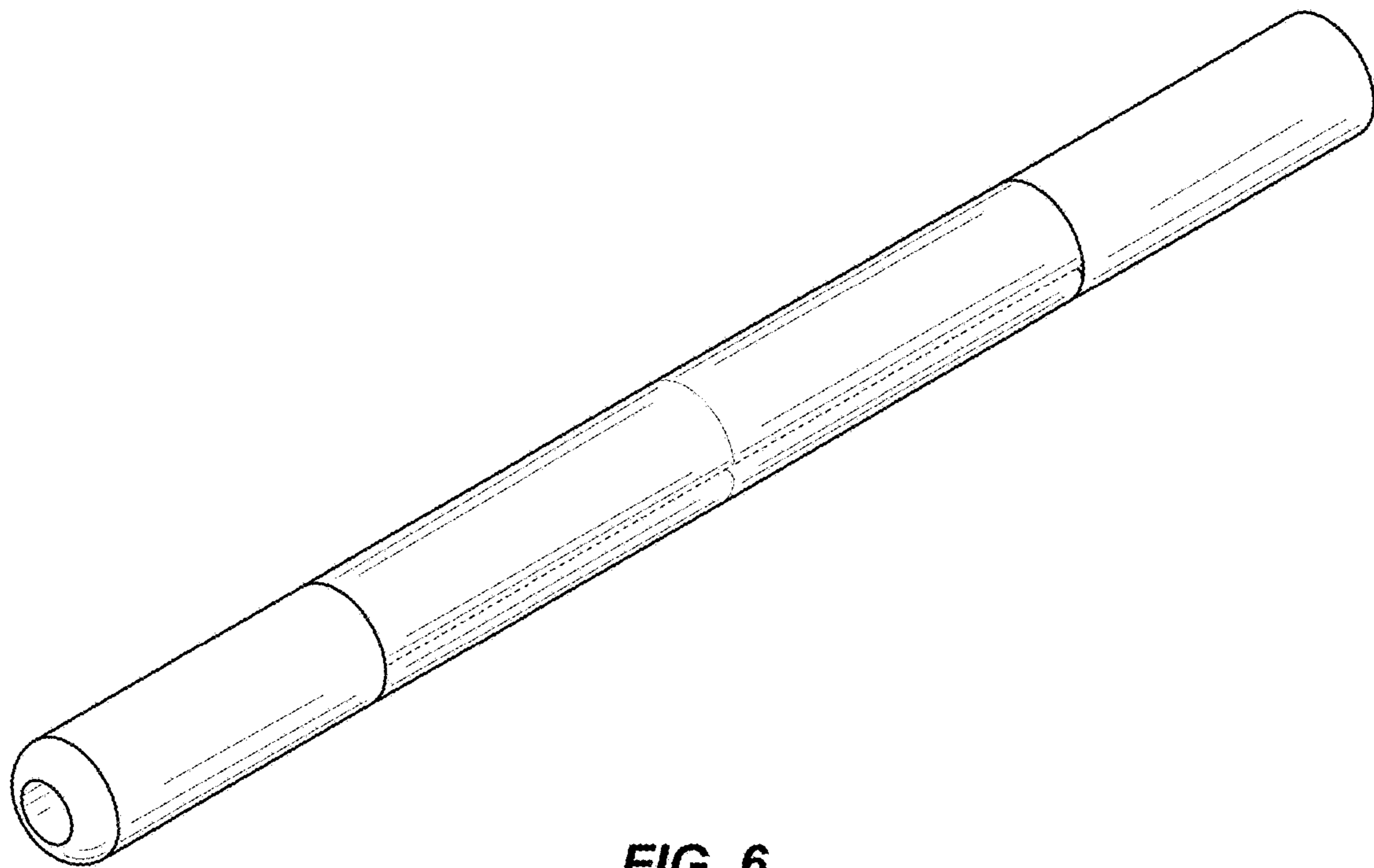


FIG. 6