



US00D865164S

(12) **United States Design Patent** (10) **Patent No.:** **US D865,164 S**  
**Lambrecht et al.** (45) **Date of Patent:** **\*\* Oct. 29, 2019**

(54) **SURGICAL INSTRUMENT ACTUATOR END PORTION**

- (71) Applicant: **Intuitive Surgical Operations, Inc.**, Sunnyvale, CA (US)
- (72) Inventors: **Bram Gilbert Antoon Lambrecht**, Redwood City, CA (US); **Tim Hulford**, Burlingame, CA (US); **Scott Schenone**, Seattle, WA (US)
- (73) Assignee: **Intuitive Surgical Operations, Inc.**, Sunnyvale, CA (US)

(\*\*) Term: **15 Years**

(21) Appl. No.: **29/571,119**

(22) Filed: **Jul. 14, 2016**

(51) **LOC (12) Cl.** ..... **24-02**

(52) **U.S. Cl.**  
USPC ..... **D24/129**

(58) **Field of Classification Search**  
USPC ..... D24/129, 108, 111, 127, 128, 138, 231, D24/133, 146, 186; D28/58  
CPC ..... A61B 34/30; A61B 34/20; A61B 90/37; A61B 17/00234; A61B 17/0218; B25J 9/1689

See application file for complete search history.

(56) **References Cited**

**U.S. PATENT DOCUMENTS**

- D428,487 S \* 7/2000 Renner ..... D24/138
- D438,617 S 3/2001 Cooper et al.
- D441,076 S 4/2001 Cooper et al.

(Continued)

**FOREIGN PATENT DOCUMENTS**

- WO WO-2018013217 A1 1/2018
- WO WO-2018013354 A1 1/2018

**OTHER PUBLICATIONS**

Co-pending U.S. Appl. No. 29/485,142, filed Mar. 17, 2014.

(Continued)

*Primary Examiner* — Eliza Z Bennett-Hattan

(74) *Attorney, Agent, or Firm* — Jones Robb, PLLC

(57) **CLAIM**

The ornamental design for a surgical instrument actuator end portion, as shown and described.

**DESCRIPTION**

This application is related to U.S. Design patent application Ser. No. 29/571,116, entitled “Surgical Instrument Actuator End Portion,” and filed on a date even herewith; and to U.S. Design patent application Ser. No. 29/571,120, entitled “Surgical Instrument Actuator End Portion,” and filed on a date even herewith, the entire contents of each of which are incorporated by reference herein.

FIG. 1 is a left side view of a surgical instrument actuator end portion;

FIG. 2 is a front view thereof;

FIG. 3 is a right side view thereof;

FIG. 4 is a rear view thereof;

FIG. 5 is a top view thereof; and,

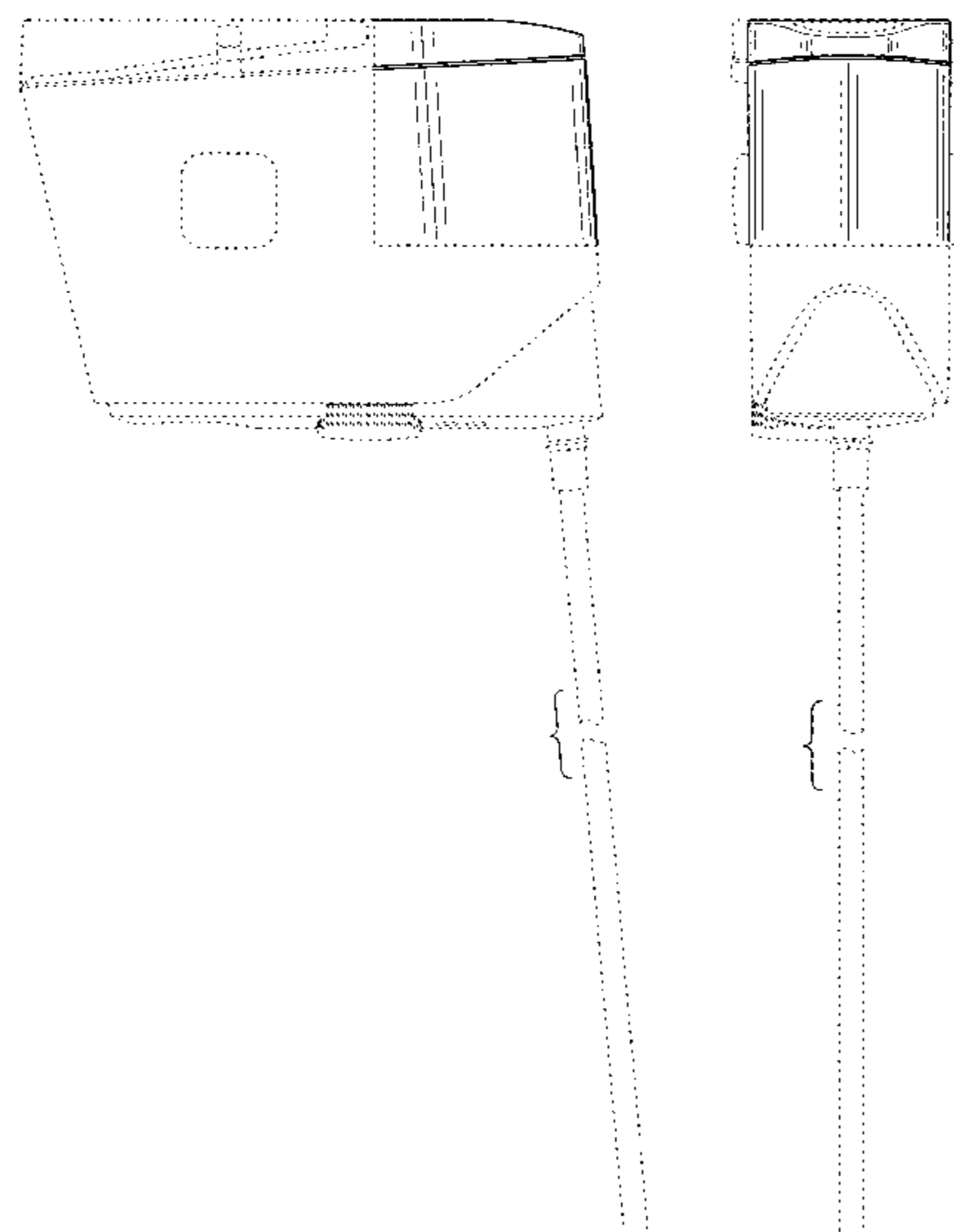
FIG. 6 is a bottom view thereof.

The shade lines in the Figures show contour and not surface ornamentation. All unshaded surfaces form no part of the claim.

The broken lines in the Figures illustrate unclaimed portions and exemplary environmental structure of the surgical instrument actuator end portion and form no part of the claimed design.

The broken lines directly adjacent the shaded areas represent unclaimed portions of the surgical instrument actuator end portion. All other broken lines are for the purpose of illustrating environmental structure and form no part of the claimed design.

**1 Claim, 3 Drawing Sheets**



(56)

References Cited

U.S. PATENT DOCUMENTS

D444,555 S 7/2001 Cooper et al.  
 D481,125 S \* 10/2003 Hayamizu ..... D24/129  
 D490,898 S \* 6/2004 Hayamizu ..... D24/129  
 6,742,413 B2 6/2004 Schwital et al.  
 D497,428 S \* 10/2004 Hayamizu ..... D24/129  
 D498,533 S \* 11/2004 Hayamizu ..... D24/129  
 D507,349 S \* 7/2005 Banks ..... D24/138  
 7,140,151 B2 11/2006 Spaziani et al.  
 D534,655 S \* 1/2007 Iranyi ..... D24/138  
 D577,823 S 9/2008 Hensler et al.  
 D637,287 S 5/2011 Mudd et al.  
 D652,923 S 1/2012 Kennedy et al.  
 D657,057 S 4/2012 Kearsley  
 8,224,484 B2 7/2012 Swarup et al.  
 8,323,213 B2 12/2012 Kim  
 8,375,808 B2 2/2013 Blumenkranz et al.  
 8,423,186 B2 4/2013 Itkowitz et al.  
 8,466,811 B2 6/2013 Kang et al.  
 D687,599 S 8/2013 Amit  
 D705,488 S 5/2014 Cheng  
 8,740,880 B2 6/2014 Pinault et al.  
 8,862,268 B2 10/2014 Robinson et al.  
 9,089,972 B2 7/2015 Stuart et al.  
 9,161,772 B2 10/2015 Hyodo  
 9,162,358 B2 10/2015 Geffard et al.  
 9,204,934 B2 12/2015 Ogawa et al.  
 D760,387 S \* 6/2016 Waters ..... D24/133  
 D767,129 S \* 9/2016 Waters ..... D24/133  
 D767,130 S \* 9/2016 Waters ..... D24/133

D768,295 S \* 10/2016 Waters ..... D24/133  
 2005/0251110 A1 11/2005 Nixon  
 2006/0074406 A1 4/2006 Cooper et al.  
 2007/0005002 A1 1/2007 Millman et al.  
 2007/0142824 A1 6/2007 Devengenzo et al.  
 2008/0139964 A1 6/2008 Murray et al.  
 2009/0248036 A1 10/2009 Hoffman et al.  
 2010/0169815 A1 7/2010 Zhao et al.  
 2011/0071473 A1 3/2011 Rogers et al.  
 2011/0071543 A1 3/2011 Prisco et al.  
 2011/0118748 A1 5/2011 Itkowitz  
 2012/0215220 A1 8/2012 Manzo et al.  
 2013/0046318 A1 2/2013 Radgowski et al.  
 2014/0081455 A1 3/2014 Goldberg et al.  
 2014/0128886 A1 5/2014 Holop et al.  
 2014/0338477 A1 11/2014 Donlon et al.  
 2015/0257814 A1 9/2015 Berry et al.

OTHER PUBLICATIONS

Co-pending U.S. Appl. No. 29/485,144, filed Mar. 17, 2014.  
 Co-pending U.S. Appl. No. 29/485,147, filed Mar. 17, 2014.  
 Vertut, Jean and Phillipe Coiffet, Robot Technology: Teleoperation and Robotics Evolution and Development, English translation, Prentice-Hall, Inc., Inglewood Cliffs, NJ, USA 1986, vol. 3A, 332 pages.  
 Co-pending U.S. Appl. No. 29/571,116, filed Jul. 14, 2016.  
 Co-pending U.S. Appl. No. 29/571,120, filed Jul. 14, 2016.  
 Co-pending U.S. Appl. No. 29/644,770, filed Apr. 20, 2018.

\* cited by examiner

FIG. 1

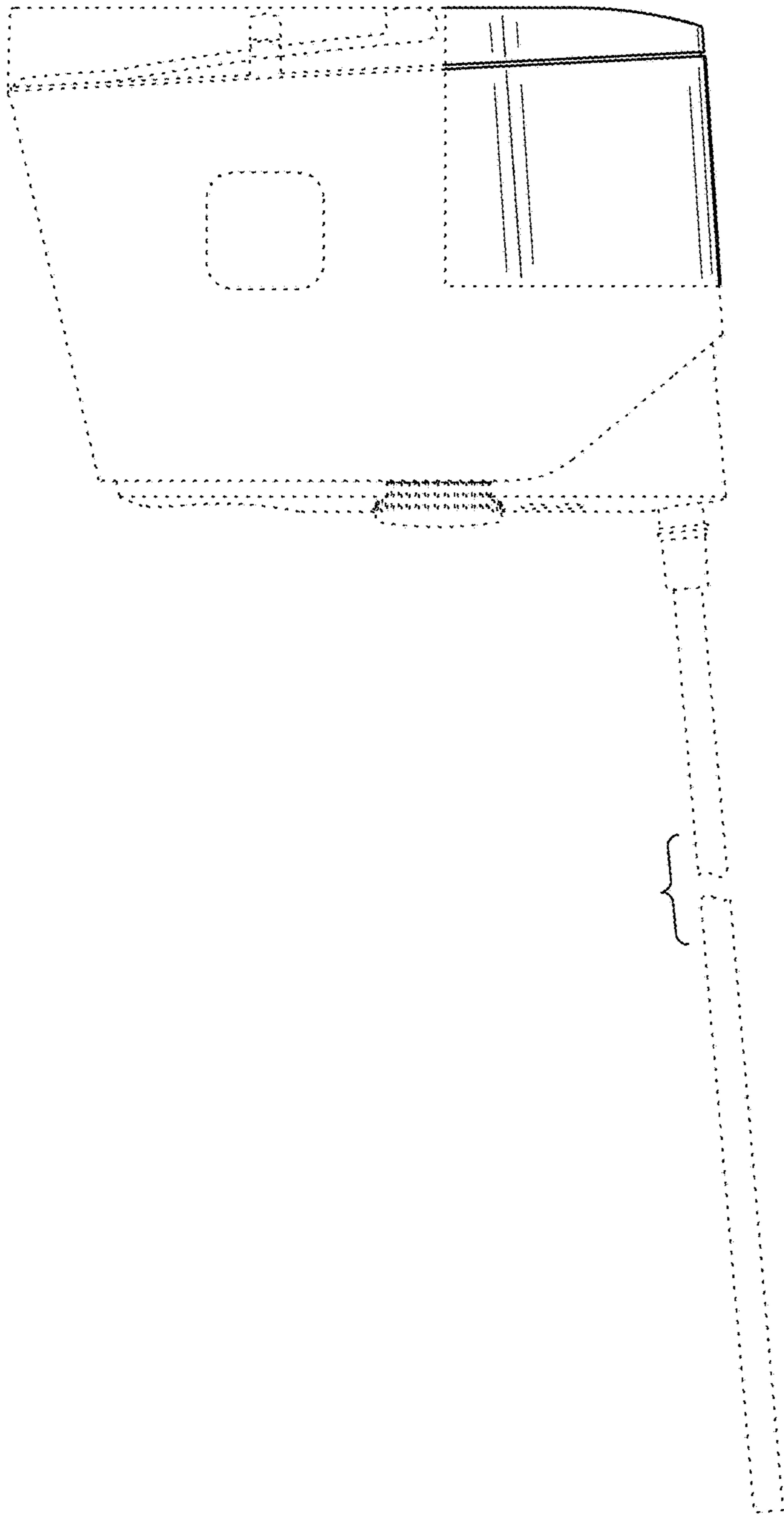


FIG. 2

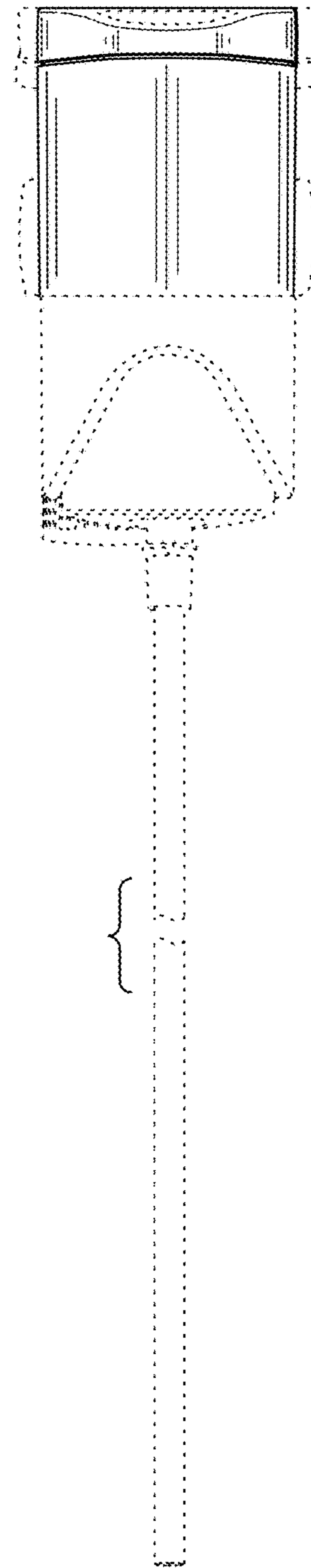


FIG. 3

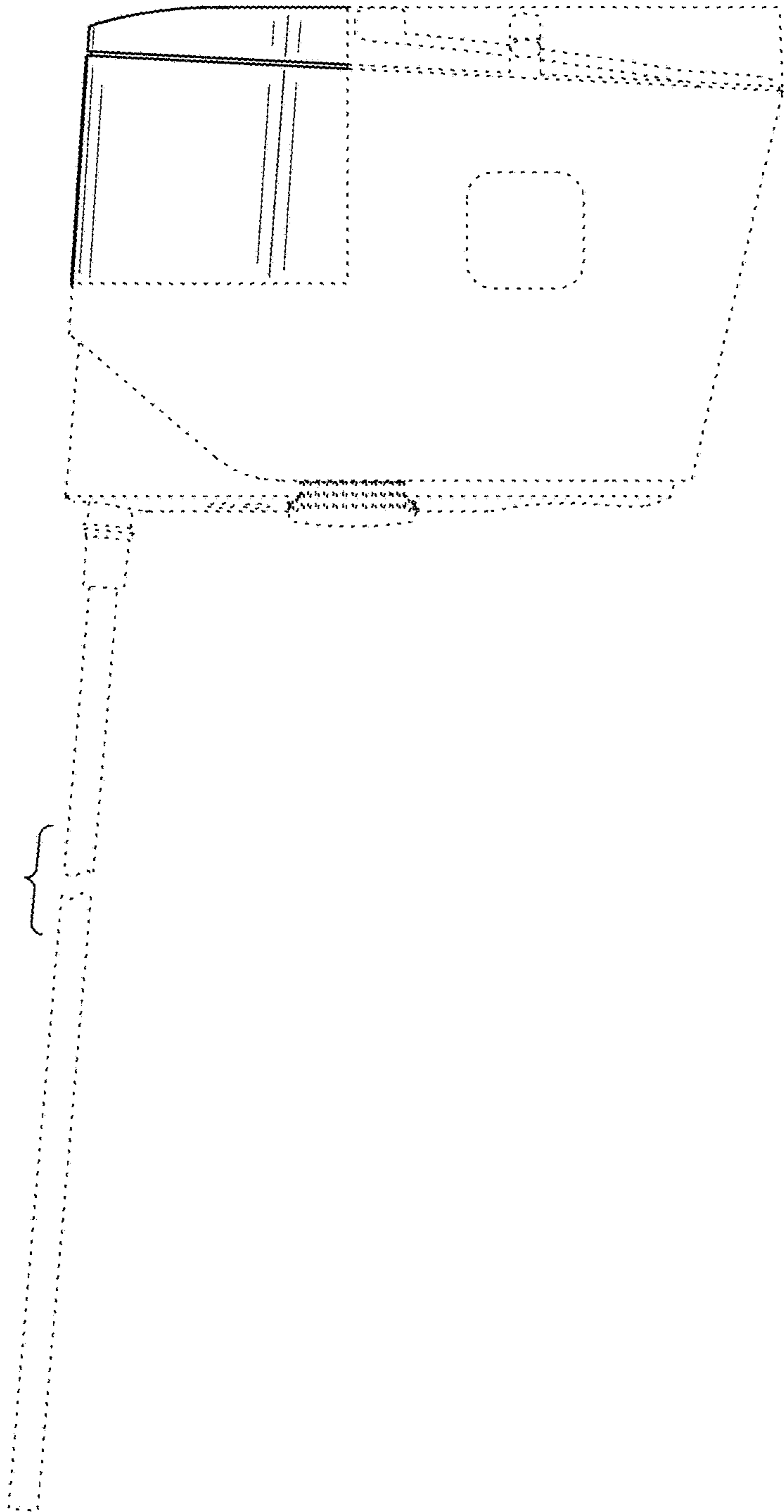


FIG. 4

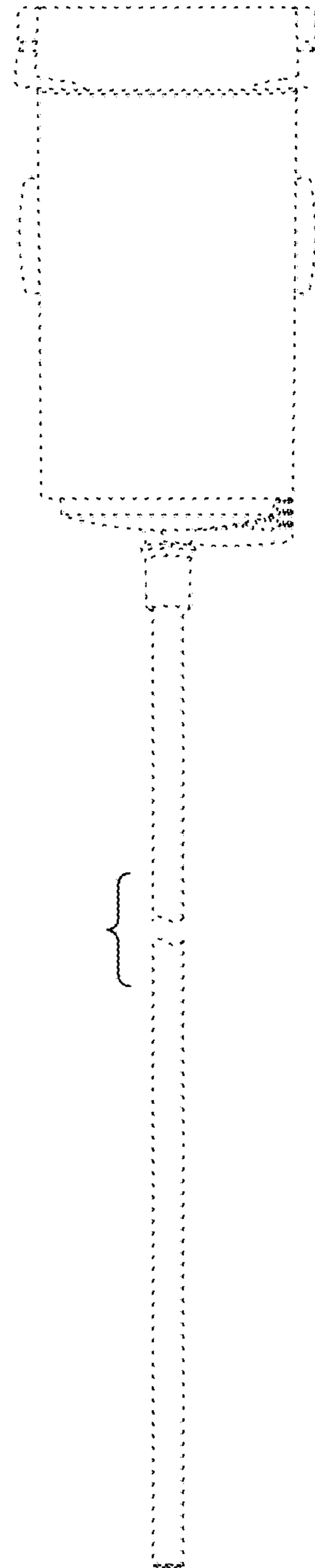


FIG. 5

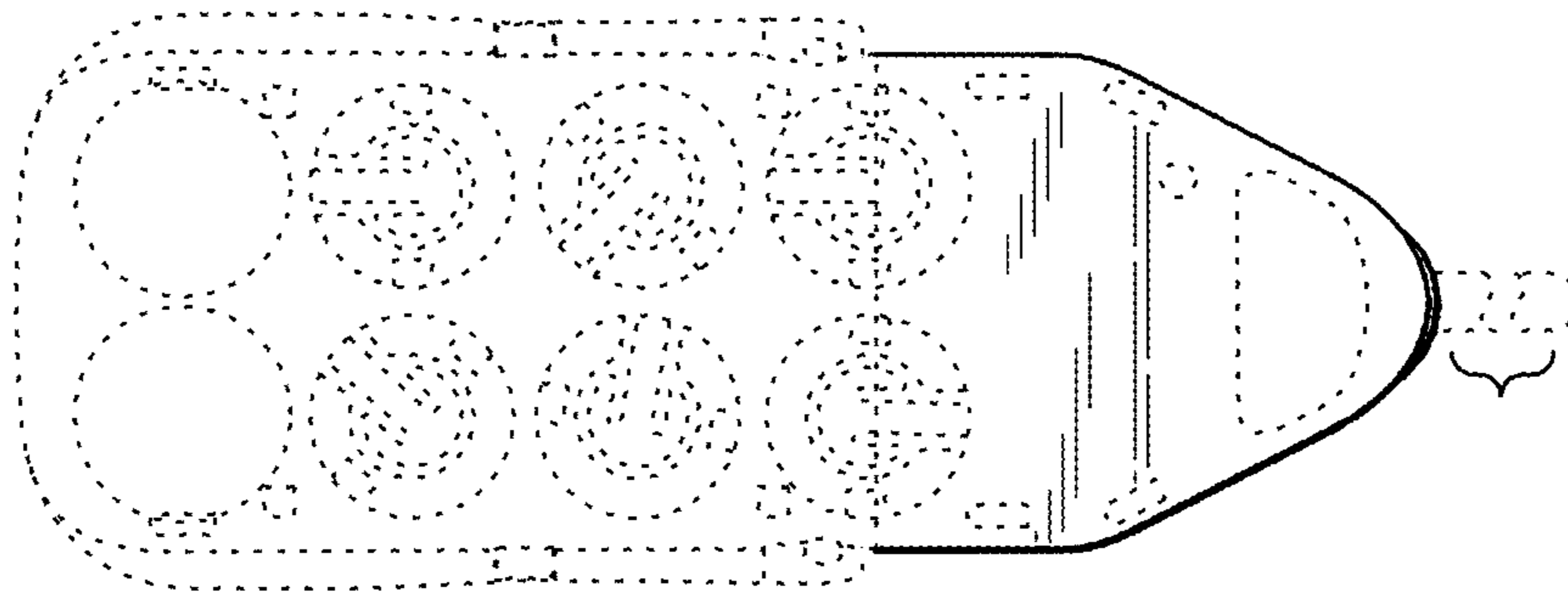


FIG. 6

