



US00D865161S

(12) **United States Design Patent** (10) **Patent No.:** **US D865,161 S**
Arnold et al. (45) **Date of Patent:** **** Oct. 29, 2019**

(54) **MEDICATION PUMP HOLDER**

A61M 1/1039; F04B 43/1253; F16L 3/1033

(71) Applicant: **Roche Diabetes Care, Inc.**,
Indianapolis, IN (US)

See application file for complete search history.

(72) Inventors: **Marc Arnold**, Mannheim (DE);
Thomas Kristen, Mannheim (DE)

(56) **References Cited**

U.S. PATENT DOCUMENTS

(73) Assignee: **ROCHE DIABETES CARE, INC.**,
Indianapolis, IN (US)

D565,730	S	*	4/2008	Stephens	D24/128
D600,344	S	*	9/2009	Burgess	D24/128
D606,197	S	*	12/2009	Collins	D24/111
D615,189	S	*	5/2010	McGill	D24/111
D633,619	S	*	3/2011	Collins	D24/111
D669,167	S	*	10/2012	Estes	D24/111
9,052,293	B2	*	6/2015	Miltner	G01N 21/8483
9,414,774	B2	*	8/2016	Korner	A61B 5/1411
D770,042	S	*	10/2016	Christensen	D24/128
10,188,478	B2	*	1/2019	Gey	A61B 50/30
D841,801	S	*	2/2019	Taylor	D24/128

(**) Term: **15 Years**

(Continued)

(21) Appl. No.: **29/644,493**

(22) Filed: **Apr. 18, 2018**

Primary Examiner — Cathron C Brooks

(30) **Foreign Application Priority Data**

Assistant Examiner — Samantha Q Lawrence

Oct. 18, 2017 (EP) 004410280-001

(74) *Attorney, Agent, or Firm* — Woodard, Emhardt,
Henry, Reeves & Wagner, LLP

Oct. 18, 2017 (EP) 004410280-002

(51) **LOC (12) Cl.** **24-02**

(57) **CLAIM**

The ornamental design for a medication pump holder, as shown and described.

(52) **U.S. Cl.**

USPC **D24/117**

DESCRIPTION

(58) **Field of Classification Search**

USPC D24/111, 117, 128, 133, 143; D8/71-74,
D8/394-399, 59; D15/140; 248/62, 63,
248/72, 74.1, 689, 124.2

FIG. 1 is a top, front, right side perspective view of a medication pump holder showing my new design, and shown without the releasable film;
FIG. 2 is a top plan view thereof;
FIG. 3 is a bottom plan view thereof;
FIG. 4 is a right side elevational view thereof;
FIG. 5 is a left side elevational view thereof; and
FIG. 6 is a front elevational view thereof.
FIG. 7 is a rear elevational view thereof.
FIG. 8 is a top, front right side perspective view of the medication pump holder;
FIG. 9 is a top plan view thereof;
FIG. 10 is a bottom plan view thereof;
FIG. 11 is a right side elevational view thereof;

CPC A61B 5/1411; A61B 5/14532; A61B 5/150022; A61B 5/150358; A61B 5/150419; A61B 5/15113; A61B 5/157; A61B 2560/0223; A61B 2562/0295; A61B 5/1455; A61B 5/150068; A61B 5/150435; A61B 5/15176; G01N 2021/8488; G01N 2021/8494; G01N 2035/0491; G01N 35/00009; G01N 2201/13; A61M 1/1006; A61M 1/1037;

(Continued)

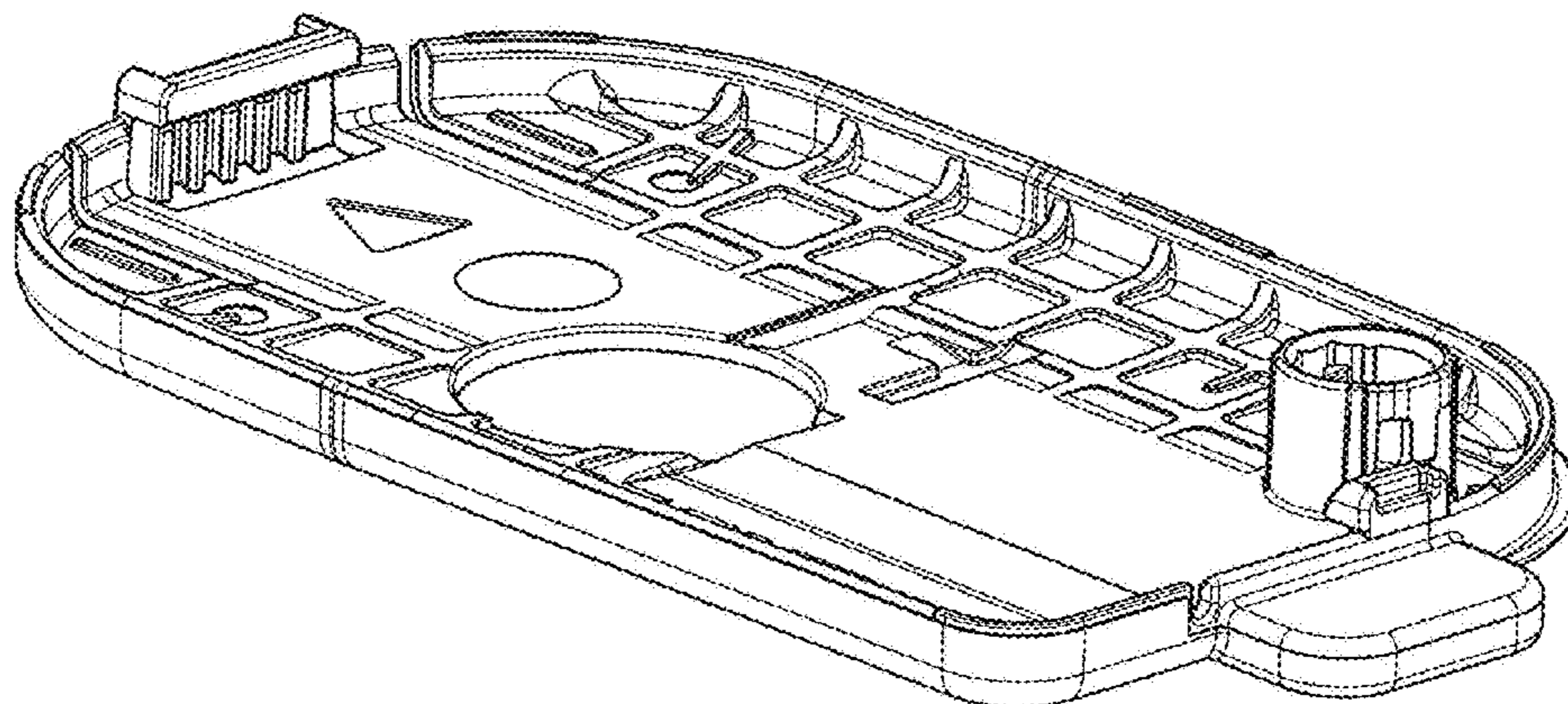


FIG. 12 is a left side elevational view thereof; and
FIG. 13 is a front elevational view thereof; and,
FIG. 14 is a rear elevational view thereof.

1 Claim, 14 Drawing Sheets

(56) **References Cited**

U.S. PATENT DOCUMENTS

2008/0213113 A1* 9/2008 Lawrence A61M 1/1037
417/476
2012/0035447 A1* 2/2012 Frey A61B 5/14532
600/365

* cited by examiner

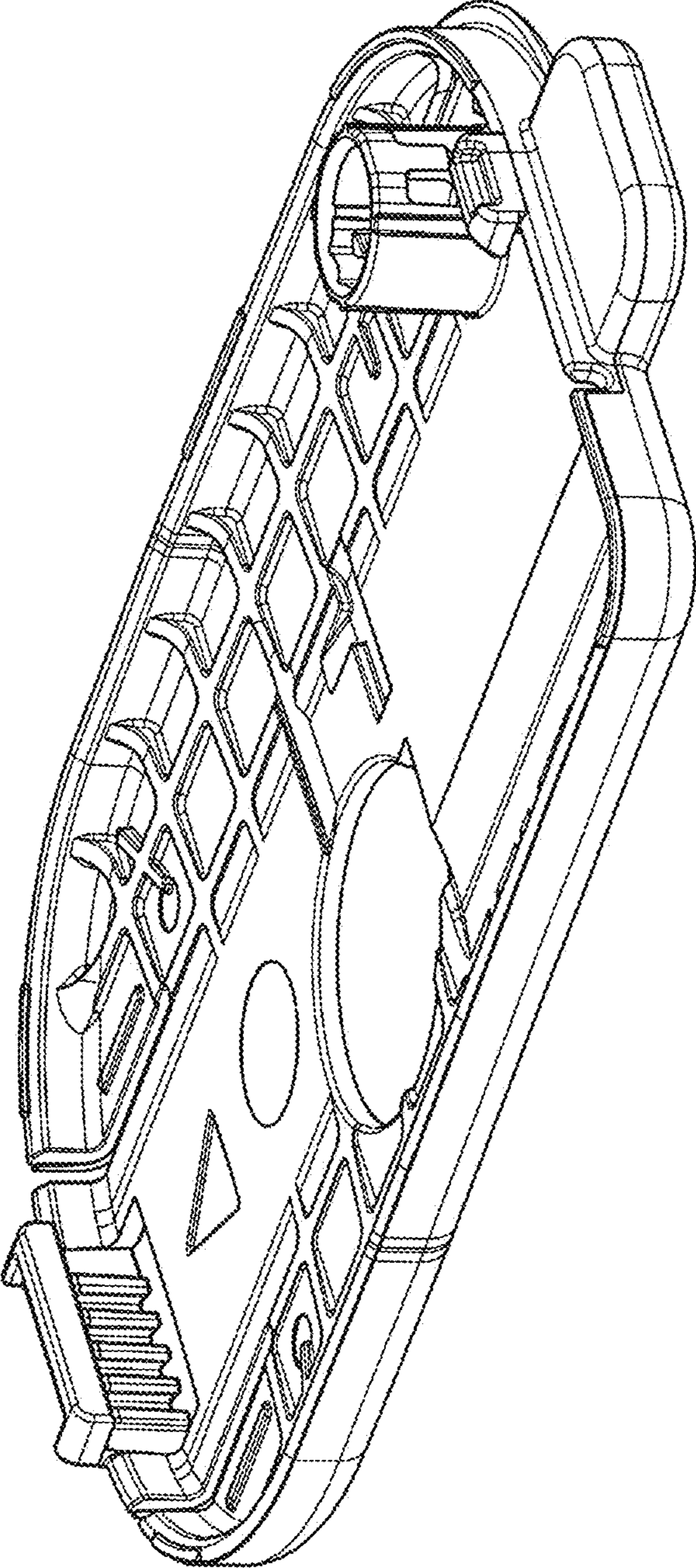


FIG. 1

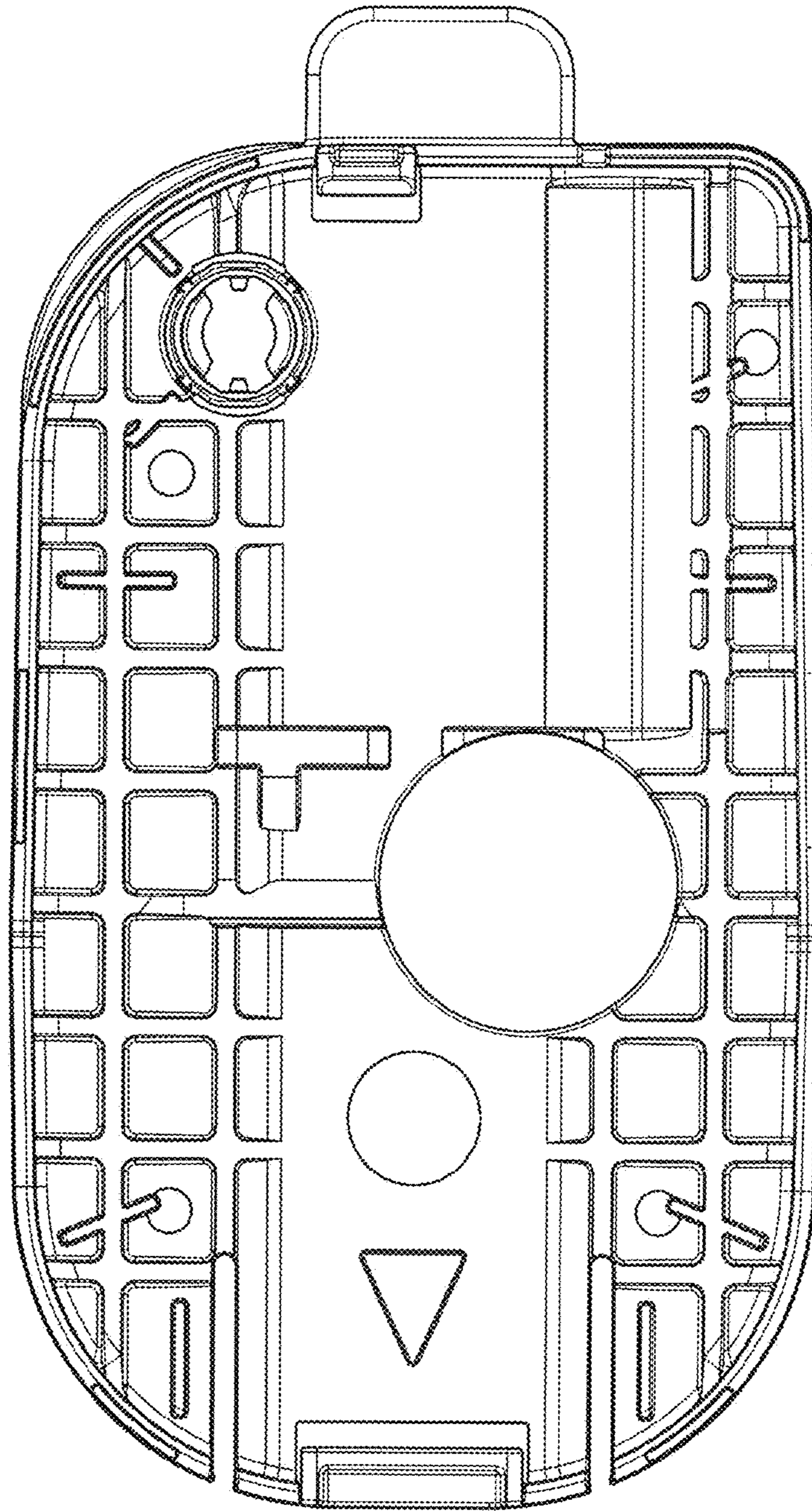


FIG. 2

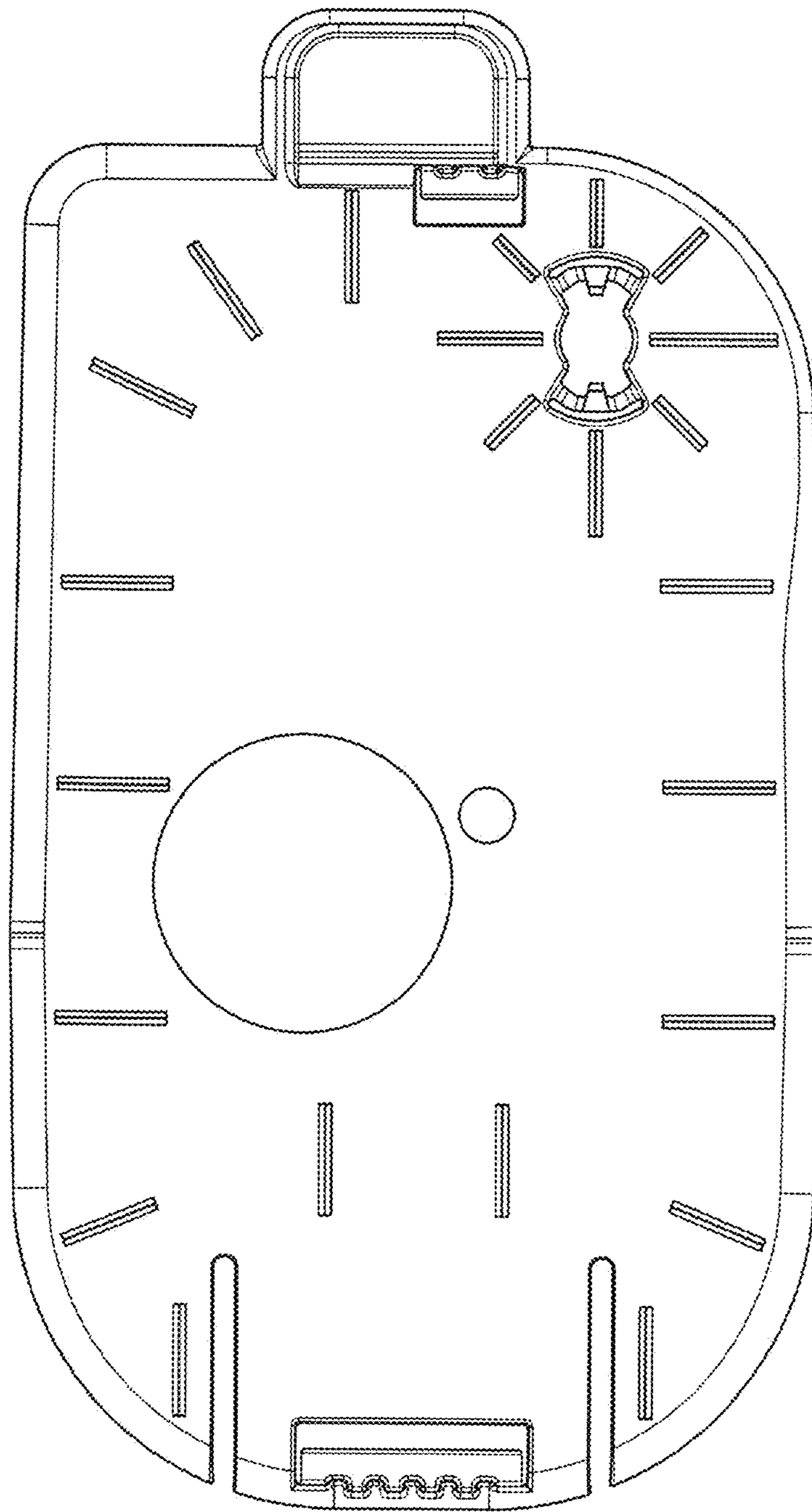


FIG. 3

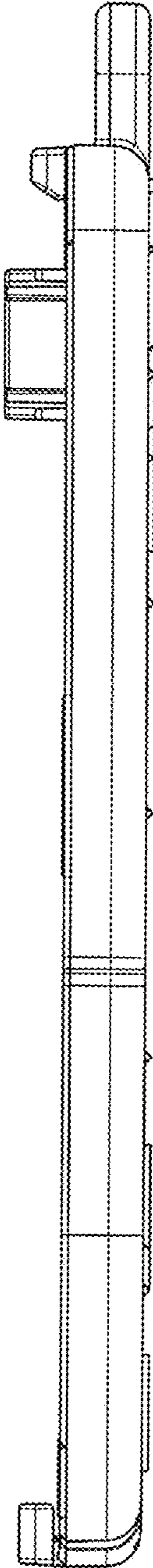


FIG. 4

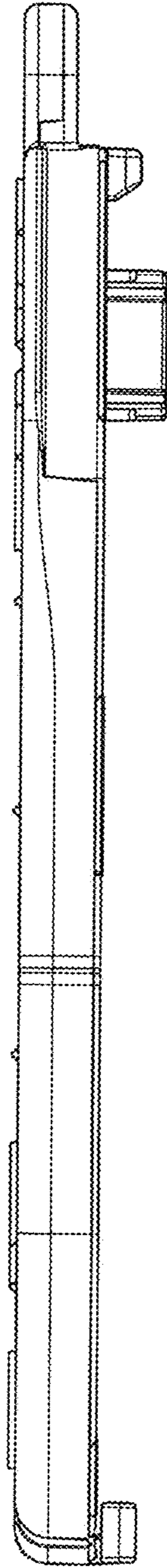


FIG. 5

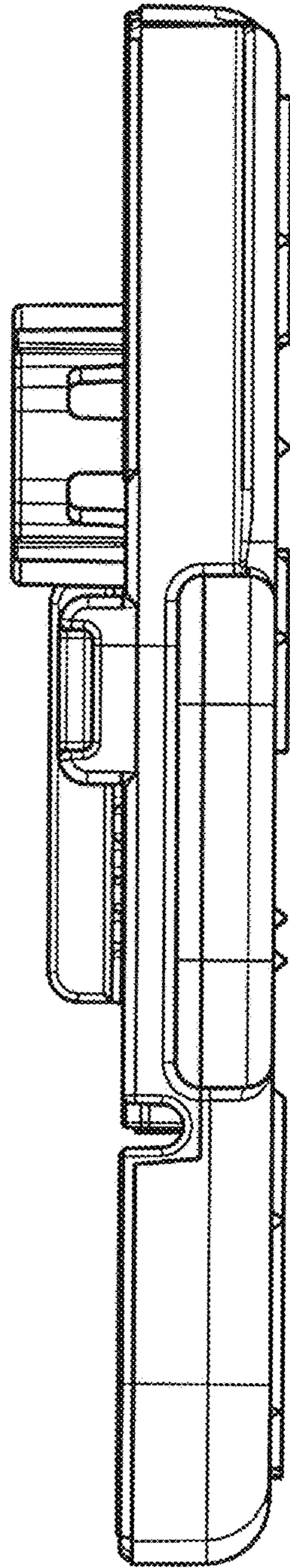


FIG. 6

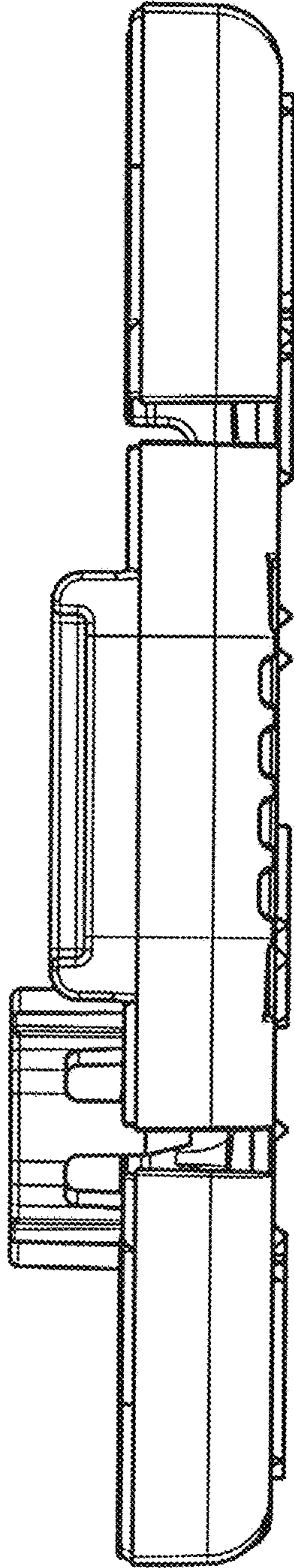


FIG. 7

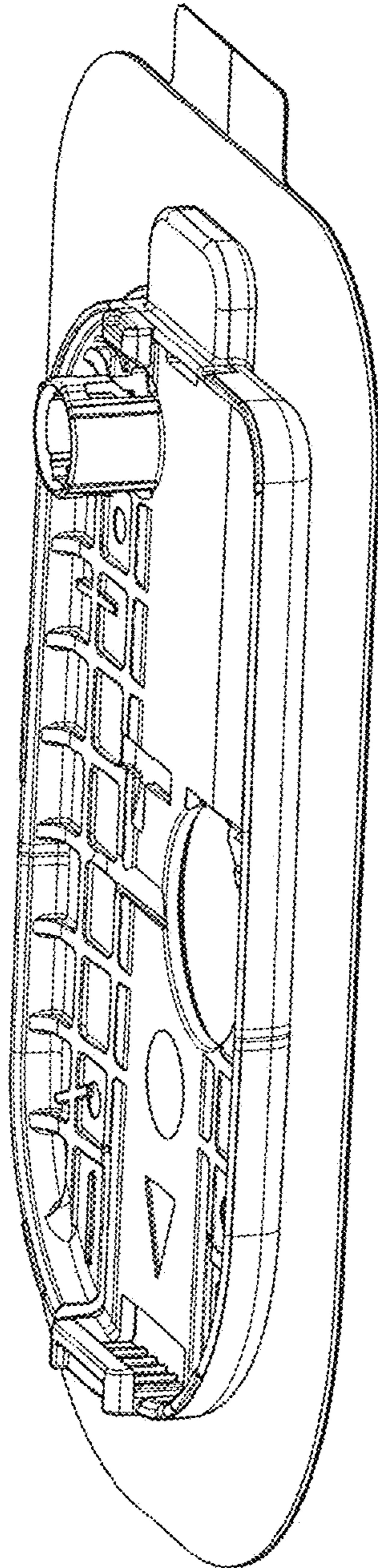


FIG. 8

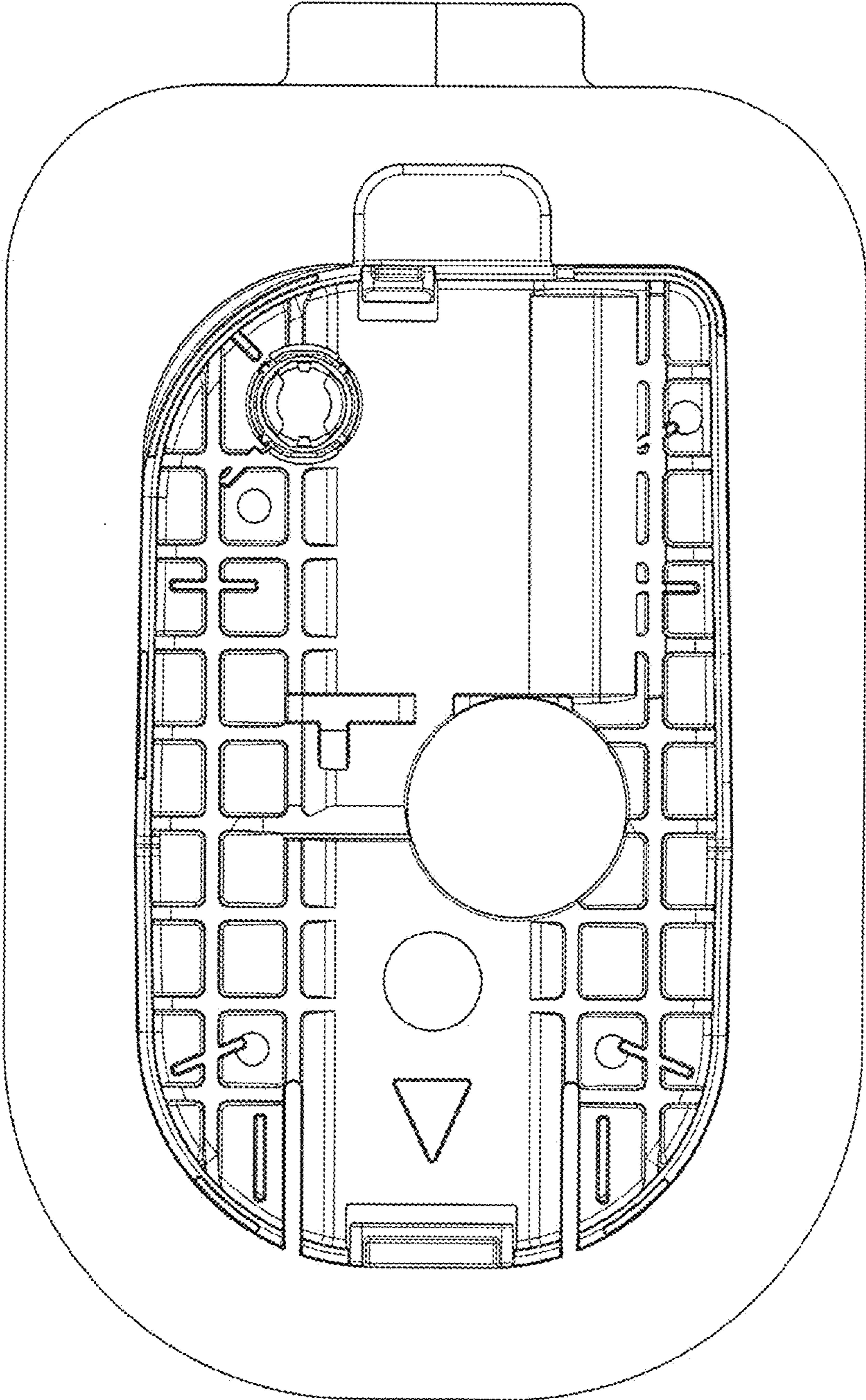


FIG. 9

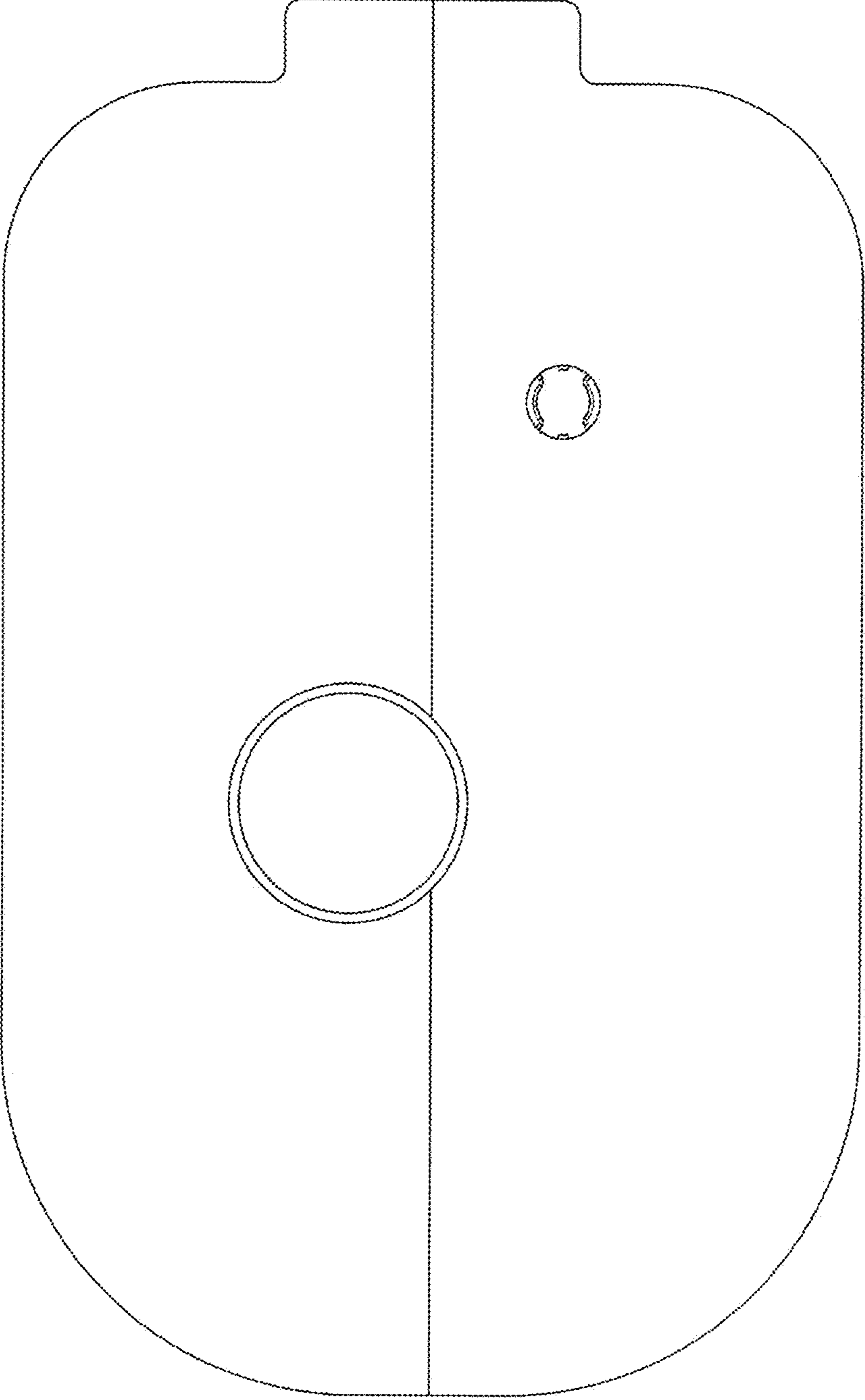


FIG. 10

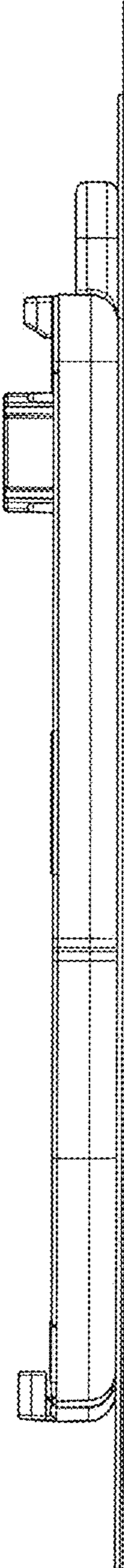


FIG. 11

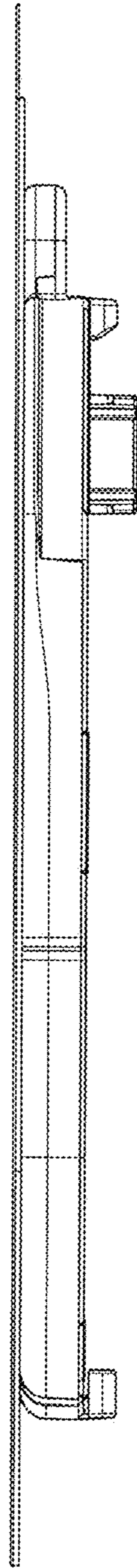


FIG. 12

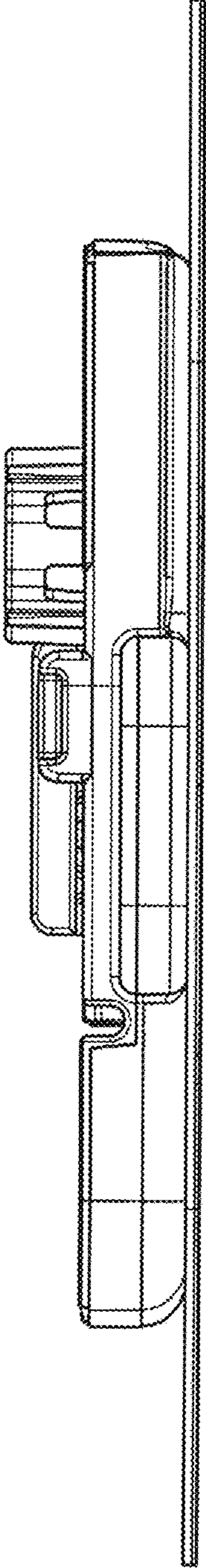


FIG. 13

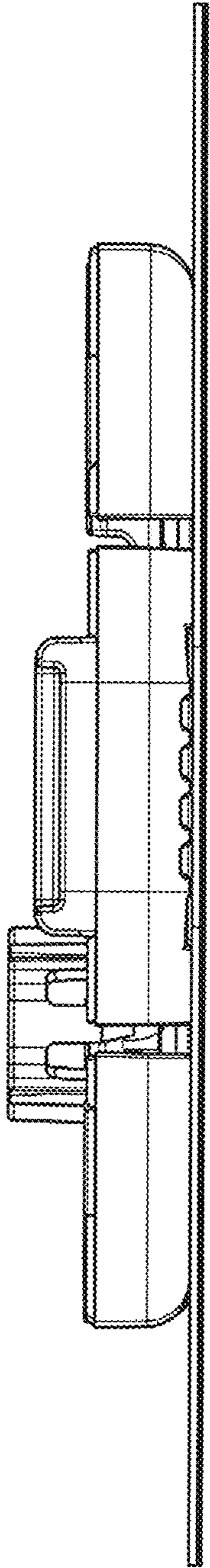


FIG. 14