



US00D865160S

(12) **United States Design Patent**
Yan

(10) **Patent No.:** **US D865,160 S**

(45) **Date of Patent:** **** Oct. 29, 2019**

(54) **ORAL WATER JET**

(71) Applicant: **Guangdong Roman Technology Co., Ltd.**

(72) Inventor: **You-Chun Yan, DongGuan (CN)**

(73) Assignee: **GUANGDONG ROMAN TECHNOLOGY CO., LTD., DongGuan, GuangDong, Province (CN)**

(**) Term: **15 Years**

(21) Appl. No.: **29/654,299**

(22) Filed: **Jun. 22, 2018**

(51) **LOC (12) Cl.** **24-02**

(52) **U.S. Cl.**
USPC **D24/111**

(58) **Field of Classification Search**
USPC D24/108, 111–115, 152, 176; D4/101, D4/102, 110, 111, 138
CPC A61C 17/20; A61C 17/00; A61C 17/005; A61C 17/02; A61C 17/0202; A61C 17/0205; A61C 17/0211; A61C 17/36; A61C 17/028; A61C 17/22; A61C 17/222; A61C 17/225; A61C 17/28
See application file for complete search history.

(56) **References Cited**

U.S. PATENT DOCUMENTS

D373,631 S * 9/1996 Maeda D24/111
D413,975 S * 9/1999 Maeda D24/111
D625,406 S * 10/2010 Seki D24/111

FOREIGN PATENT DOCUMENTS

CN 304758876 * 8/2018
CN 304836296 * 9/2018

EM 001162697-0001 * 10/2009
EM 004497774-0001 * 12/2017
EM 005317963-0001 * 6/2018
EM 005318318-0001 * 6/2018
EM 336575791 * 6/2019
JP D1179318 * 7/2003
JP D1384701 * 4/2010

* cited by examiner

Primary Examiner — Lilyana Bekic

(74) *Attorney, Agent, or Firm* — Muncy, Geissler, Olds & Lowe, P.C.

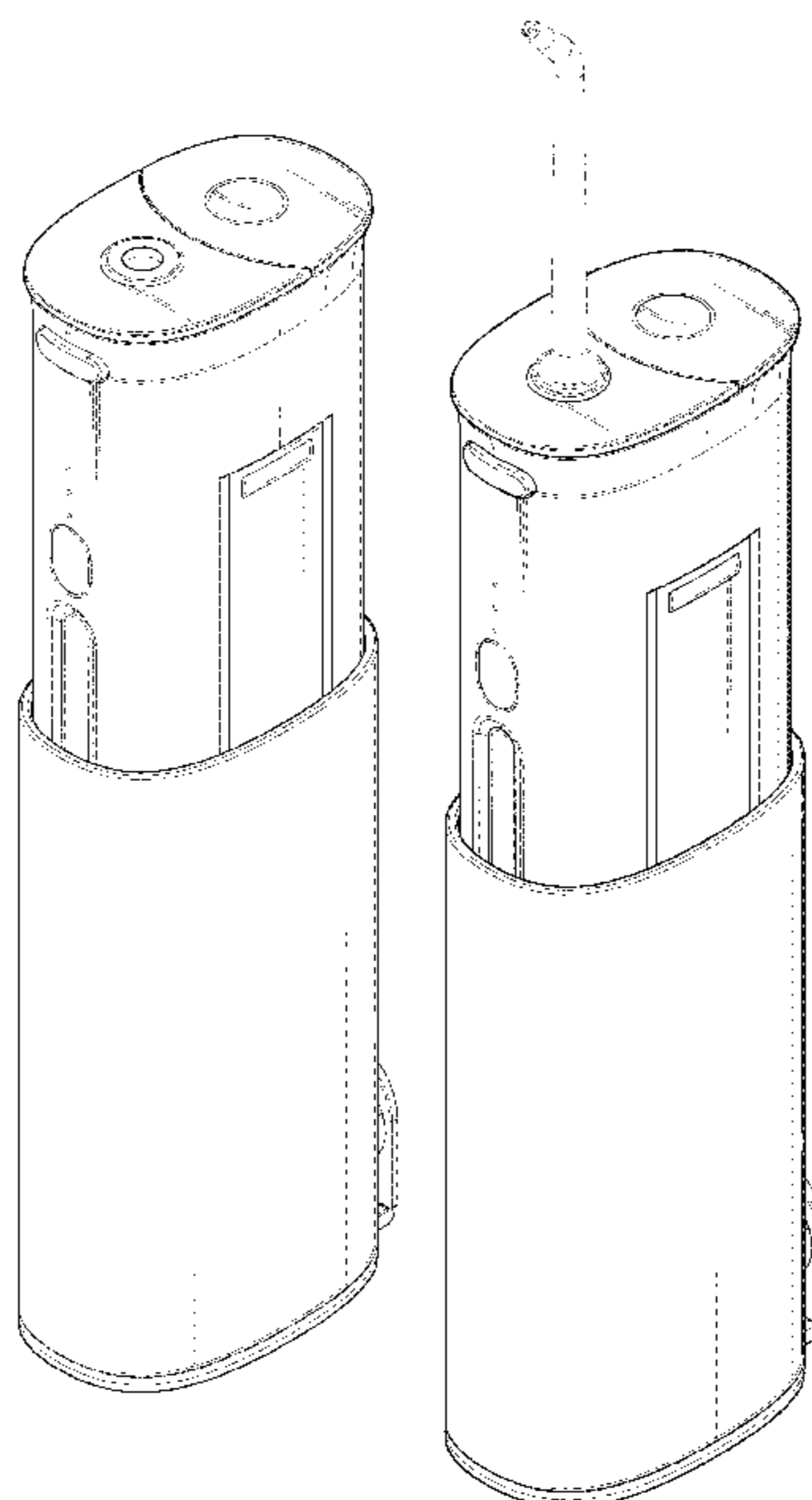
(57) **CLAIM**

The ornamental design for an oral water jet, as shown and described.

DESCRIPTION

FIG. 1 is a top, front, and left side perspective view of an oral water jet showing my new design;
FIG. 2 is a front elevational view thereof;
FIG. 3 is a rear elevational view thereof;
FIG. 4 is a left side elevational view thereof;
FIG. 5 is a right side elevational view thereof;
FIG. 6 is a top plan view thereof;
FIG. 7 is a bottom plan view thereof;
FIG. 8 is bottom, front, and right side perspective view thereof; and,
FIG. 9 is a top, front, and left side perspective view thereof, shown in an environment of use with a tip installed.
The broken line showing of the tip in FIG. 9 depicts environmental structure and forms no part of the claimed design.

1 Claim, 7 Drawing Sheets



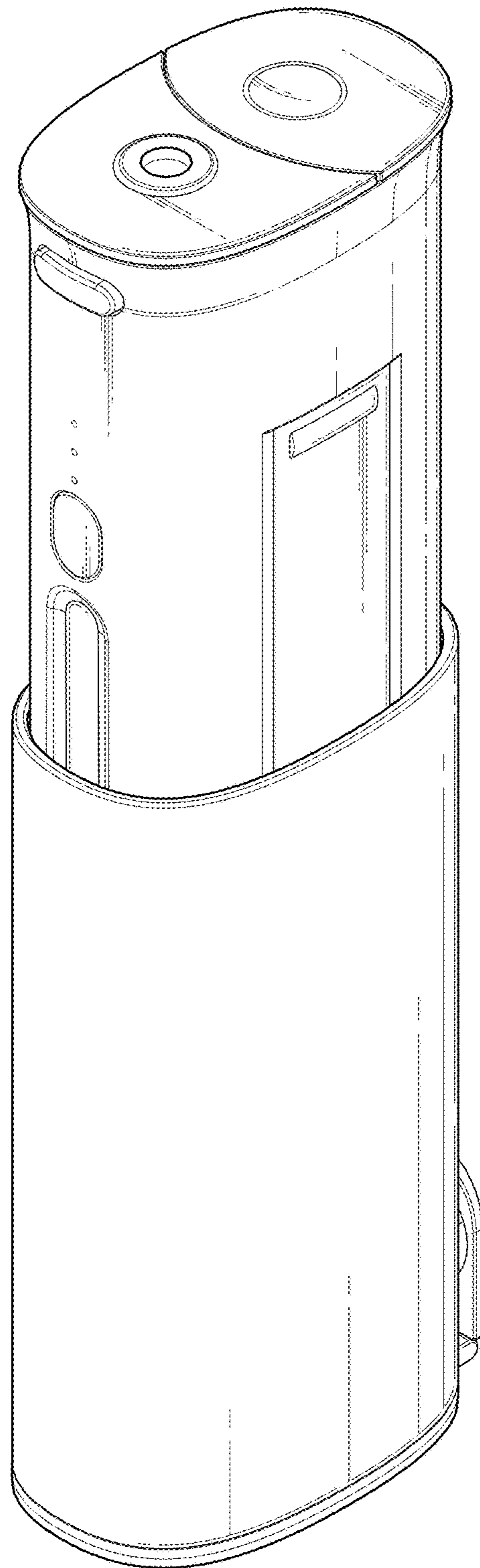


Fig. 1

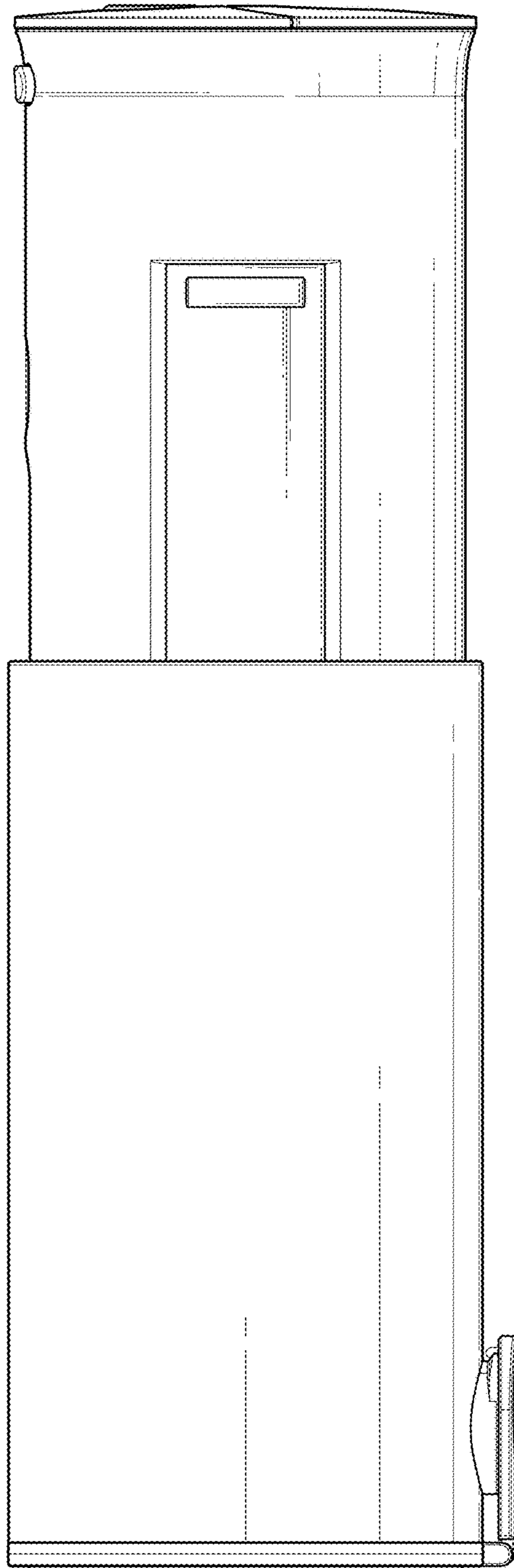


Fig. 2

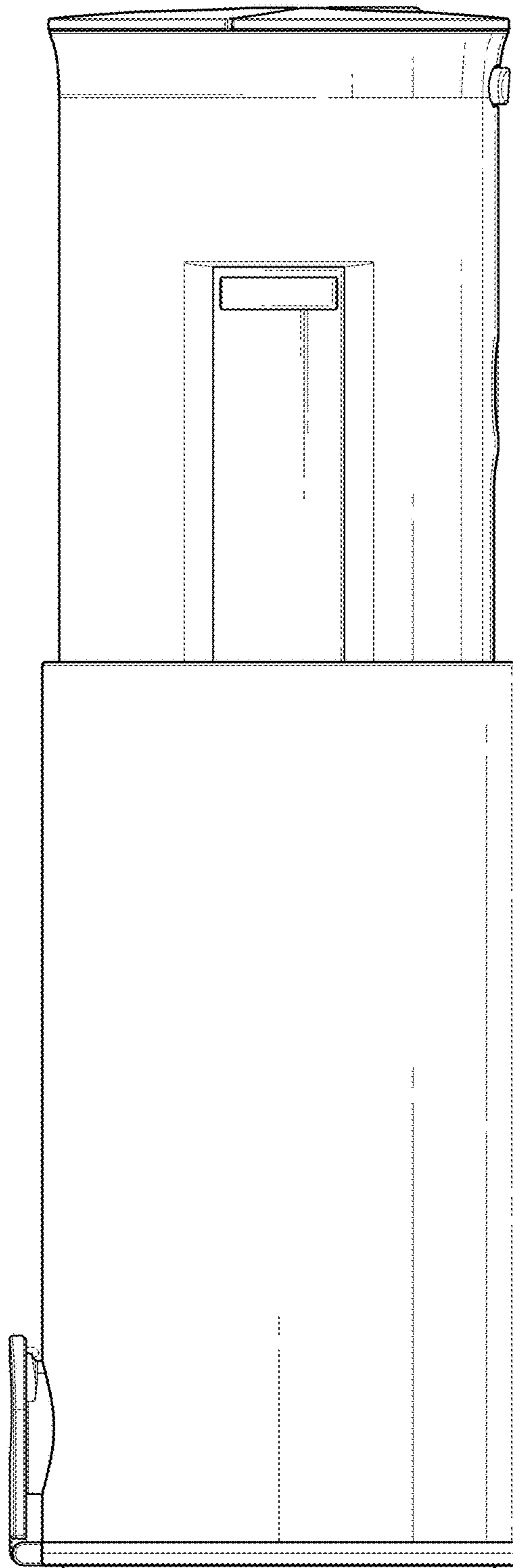


Fig. 3

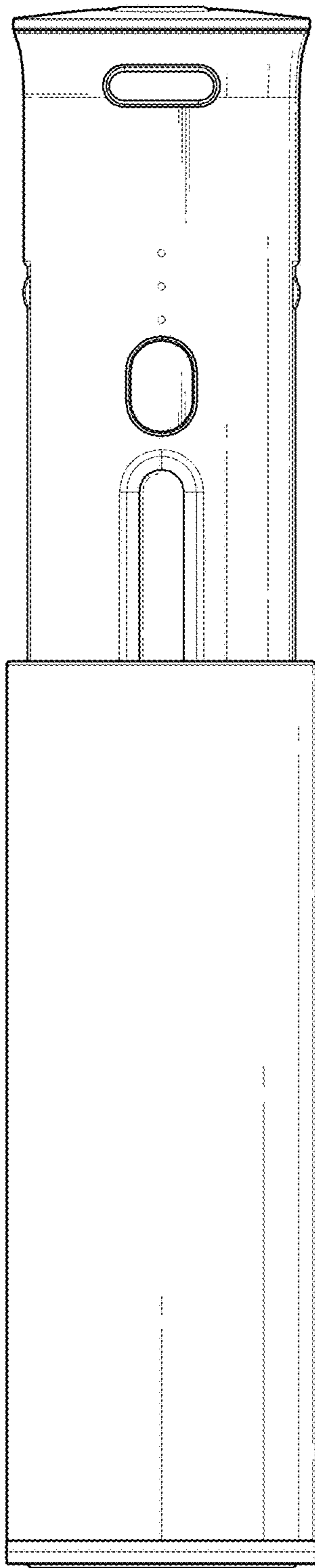


Fig. 4

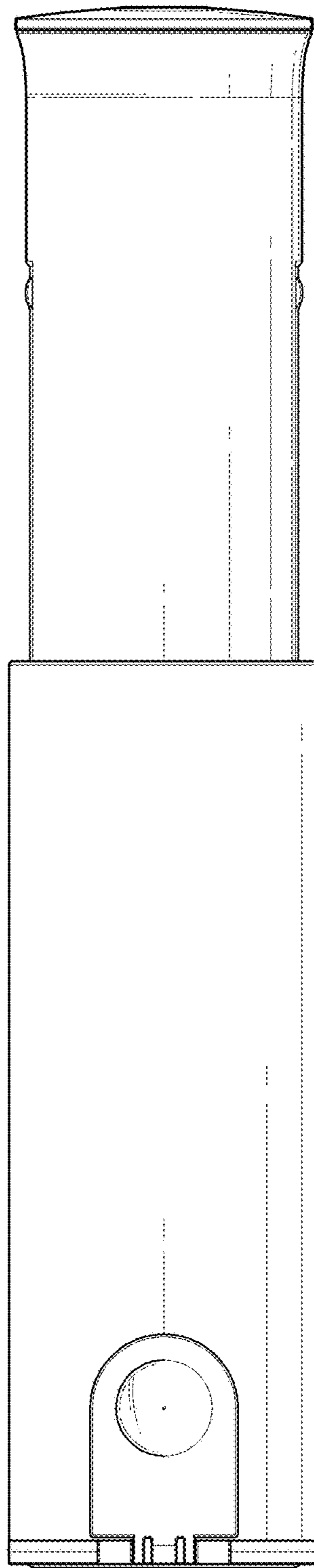


Fig. 5

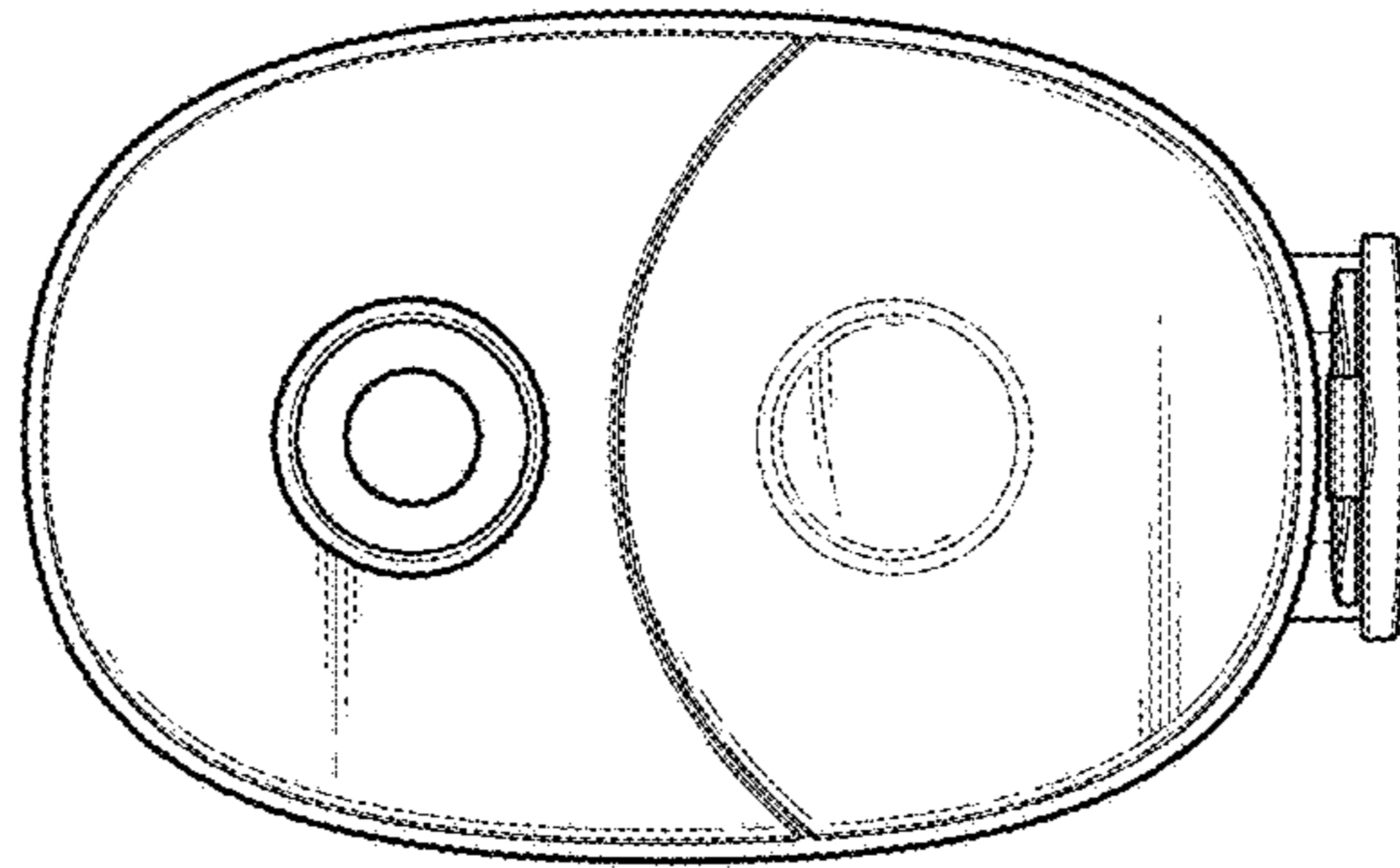


Fig. 6

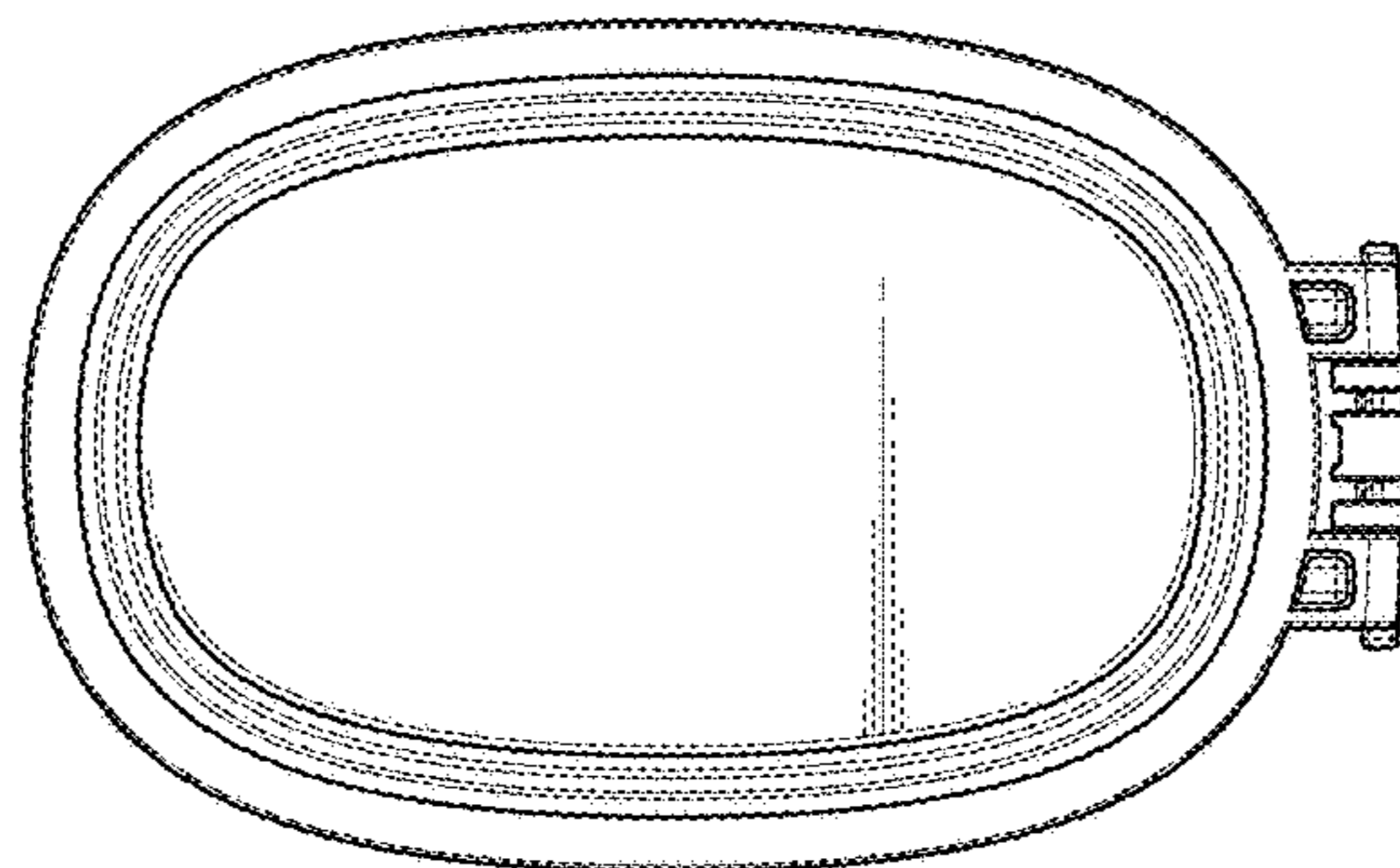


Fig. 7

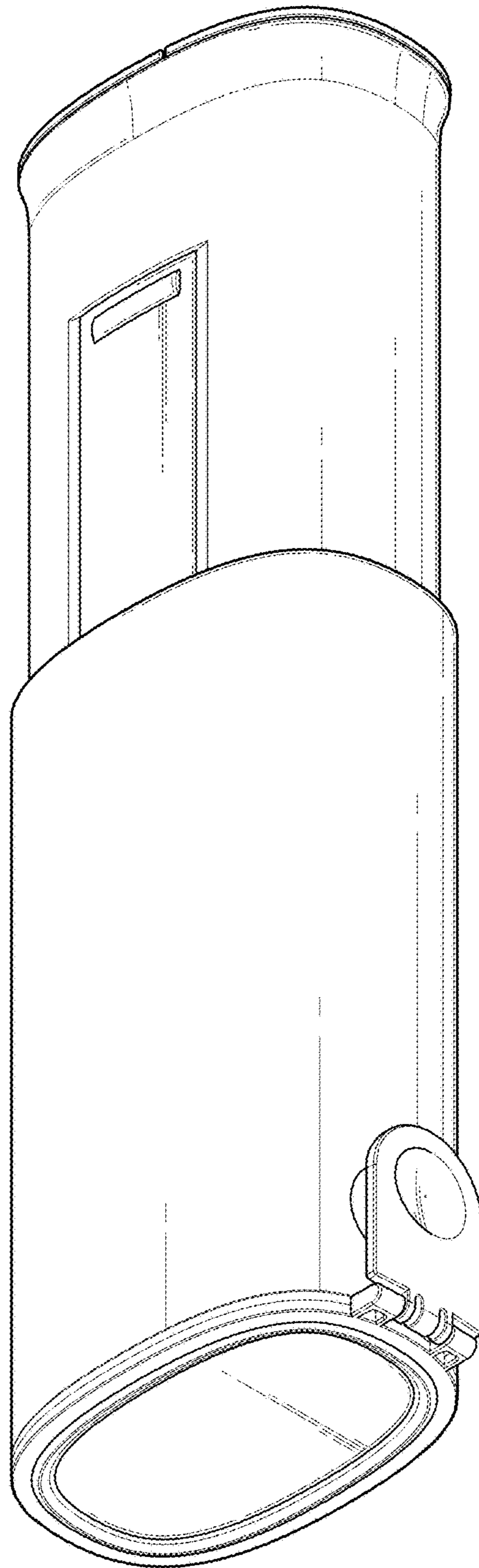


Fig. 8

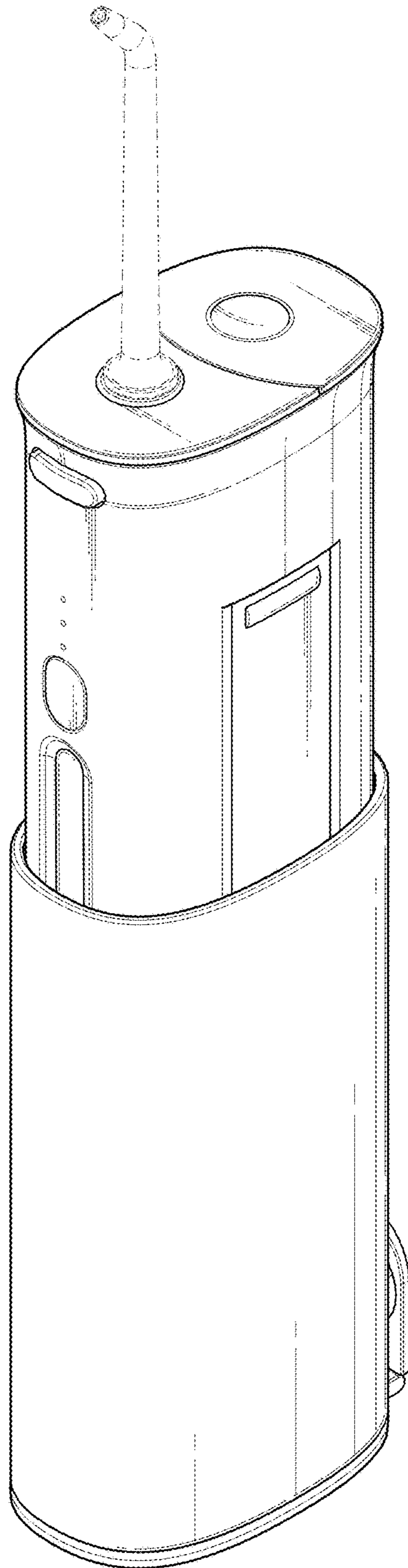


Fig. 9