



US00D865155S

(12) **United States Design Patent** (10) **Patent No.:** **US D865,155 S**  
**Takagaki et al.** (45) **Date of Patent:** **\*\* Oct. 29, 2019**

- (54) **VENTILATING FAN**
- (71) Applicant: **Panasonic Intellectual Property Management Co., Ltd., Osaka (JP)**
- (72) Inventors: **Keiji Takagaki, Osaka (JP); Nobuyuki Mase, Nara (JP)**
- (73) Assignee: **Panasonic Intellectual Property Management Co., Ltd., Osaka (JP)**
- (\*\*) Term: **15 Years**
- (21) Appl. No.: **29/588,434**
- (22) Filed: **Dec. 20, 2016**
- (51) **LOC (12) Cl.** ..... **23-04**
- (52) **U.S. Cl.**  
USPC ..... **D23/385; D23/412**
- (58) **Field of Classification Search**  
USPC ..... **D23/370, 371, 377-379, 381, 382, D23/385-388, 411, 412; D26/59; D14/219, 210, 221, 214**  
CPC .... **F04D 25/088; F04D 29/005; F04D 29/601; F04D 29/324; F21V 33/0096; F21V 33/0092; F24F 13/078**  
See application file for complete search history.

(56) **References Cited**

**U.S. PATENT DOCUMENTS**

D401,682 S *	11/1998	Galeazzi	.....	D23/351
D416,315 S *	11/1999	Nanjo	.....	D23/351
D426,292 S *	6/2000	Nanjo	.....	D23/351
D448,462 S *	9/2001	Nanjo	.....	D23/351
D510,996 S *	10/2005	Vladika	.....	D23/385
D541,927 S	5/2007	Yamanaka et al.		
D577,431 S *	9/2008	Miyake	.....	D23/385
D581,508 S *	11/2008	Miyake	.....	D23/371
D584,393 S *	1/2009	Miyake	.....	D23/370
D584,394 S *	1/2009	Miyake	.....	D23/370
D595,402 S *	6/2009	Miyake	.....	D23/385

D617,441 S *	6/2010	Koury	.....	D23/385
D617,889 S *	6/2010	Miyake	.....	D23/385
D713,951 S *	9/2014	Jepson	.....	D23/388
D724,715 S *	3/2015	Isshiki	.....	D23/351
9,097,265 B1 *	8/2015	Tom	.....	F04D 29/626
D771,231 S *	11/2016	Chen	.....	D23/388
D778,424 S *	2/2017	Jonas	.....	D23/388
D779,050 S *	2/2017	Jonas	.....	D23/388
9,609,407 B2 *	3/2017	Berkman	.....	H04R 1/021
D784,511 S *	4/2017	Jonas	.....	D23/388
D784,512 S *	4/2017	Jonas	.....	D23/388
D799,677 S *	10/2017	Jonas	.....	D23/385
D799,678 S *	10/2017	Jonas	.....	D23/385
D799,679 S *	10/2017	Jonas	.....	D23/385
D799,686 S *	10/2017	Liu	.....	D23/412
D800,294 S *	10/2017	Jonas	.....	D23/385

(Continued)

*Primary Examiner* — Janice Hallmark

(74) *Attorney, Agent, or Firm* — Panasonic IP Management; Kerry S. Culpepper

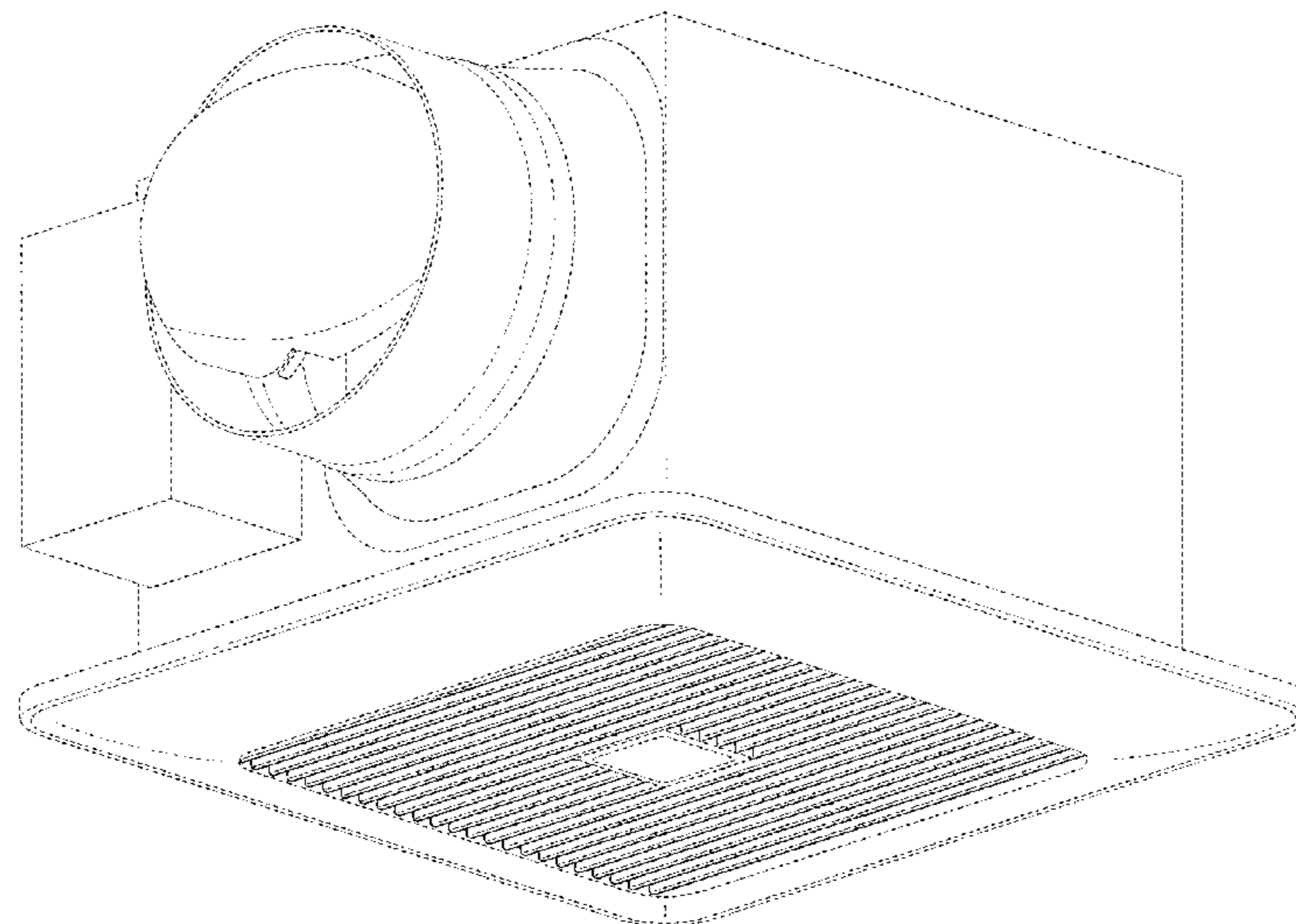
(57) **CLAIM**

We claim the ornamental design for a ventilating fan, as shown and described.

**DESCRIPTION**

FIG. 1 is a front perspective view of a ventilating fan of the present invention;  
 FIG. 2 is a front view thereof;  
 FIG. 3 is a rear view thereof;  
 FIG. 4 is a first side view thereof;  
 FIG. 5 is a second side view thereof;  
 FIG. 6 is a top view thereof;  
 FIG. 7 is a bottom view thereof;  
 FIG. 8 is a cross-sectional view taken along the line 8-8 in FIG. 2 with the internal parts being omitted; and,  
 FIG. 9 is an enlarged view between 9-9 in FIG. 8 thereof.  
 The broken line showing of ventilating fan is included for the purpose of illustrating environment and forms no part of the claimed design.

**1 Claim, 9 Drawing Sheets**



(56)

**References Cited**

U.S. PATENT DOCUMENTS

D800,295 S	*	10/2017	Jonas	.....	D23/385
D800,892 S	*	10/2017	Jonas	.....	D23/385
D808,001 S	*	1/2018	Berkman	.....	D23/371
D812,733 S	*	3/2018	Schanzenbach	.....	D23/371
D815,724 S	*	4/2018	Jonas	.....	D23/385
D816,206 S	*	4/2018	Jonas	.....	D23/385
D826,392 S	*	8/2018	Sinur	.....	D23/372
D838,829 S	*	1/2019	Puffer	.....	D23/370
D838,830 S	*	1/2019	Puffer	.....	D23/370

\* cited by examiner

FIG. 1

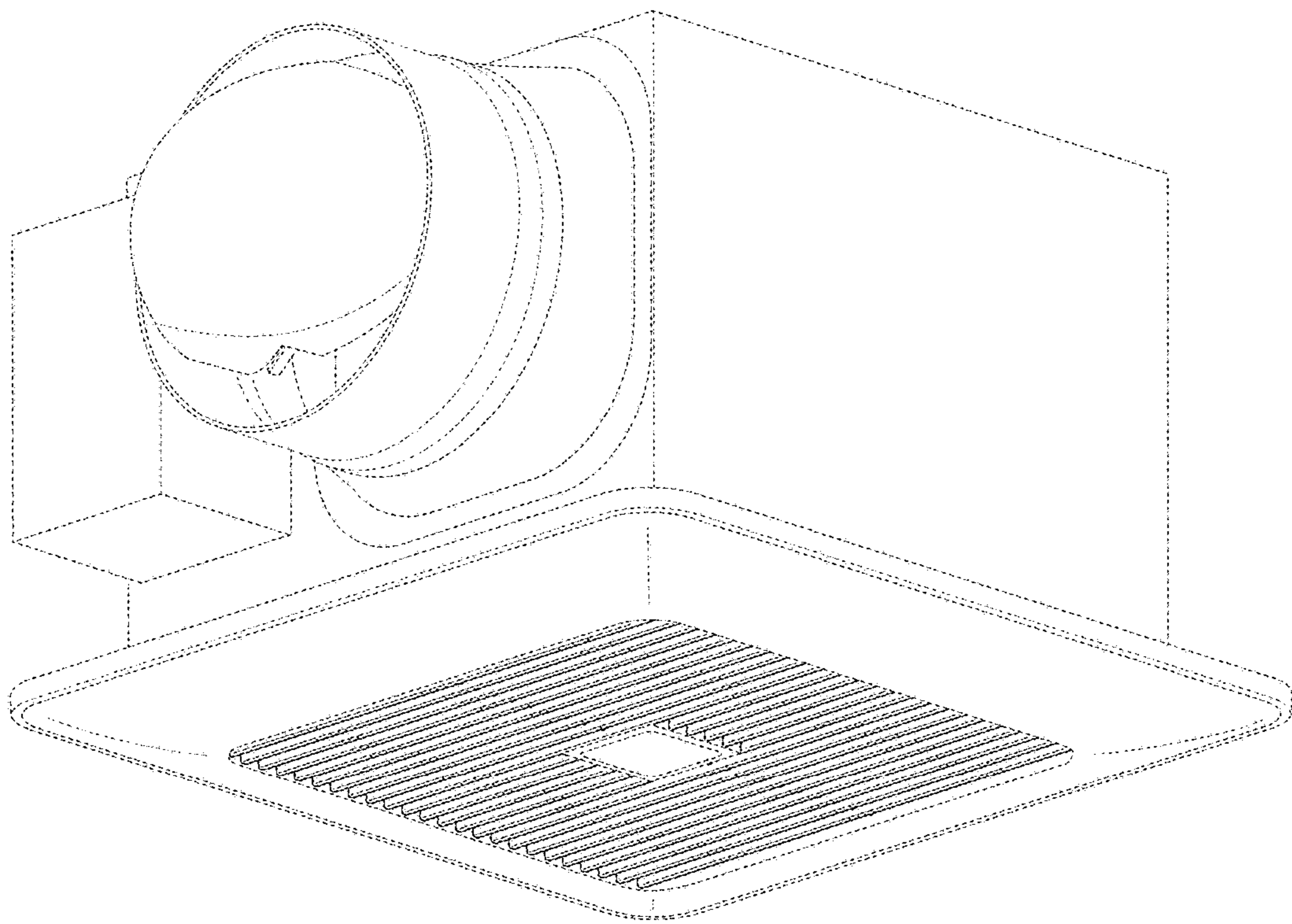


FIG. 2

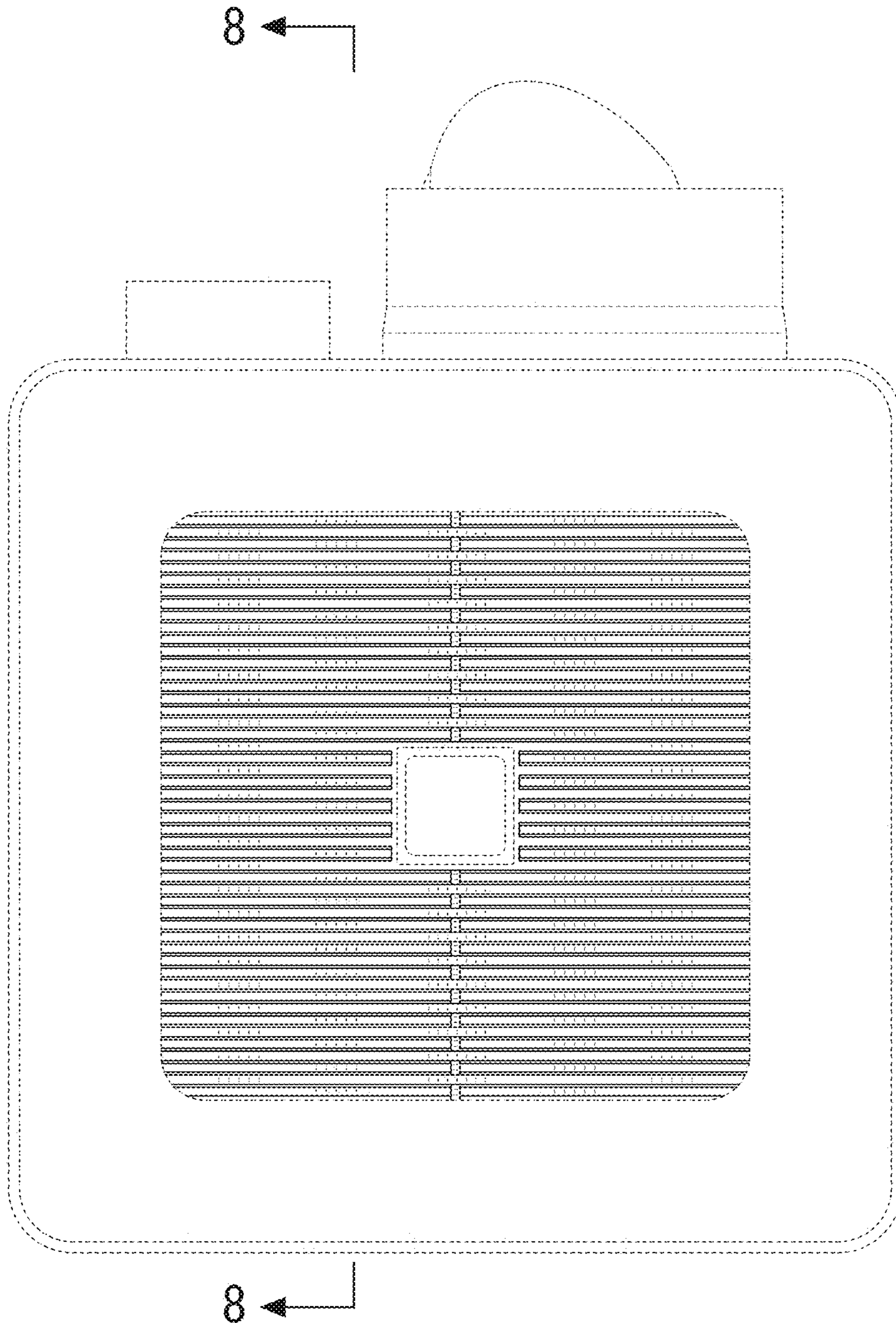


FIG. 3

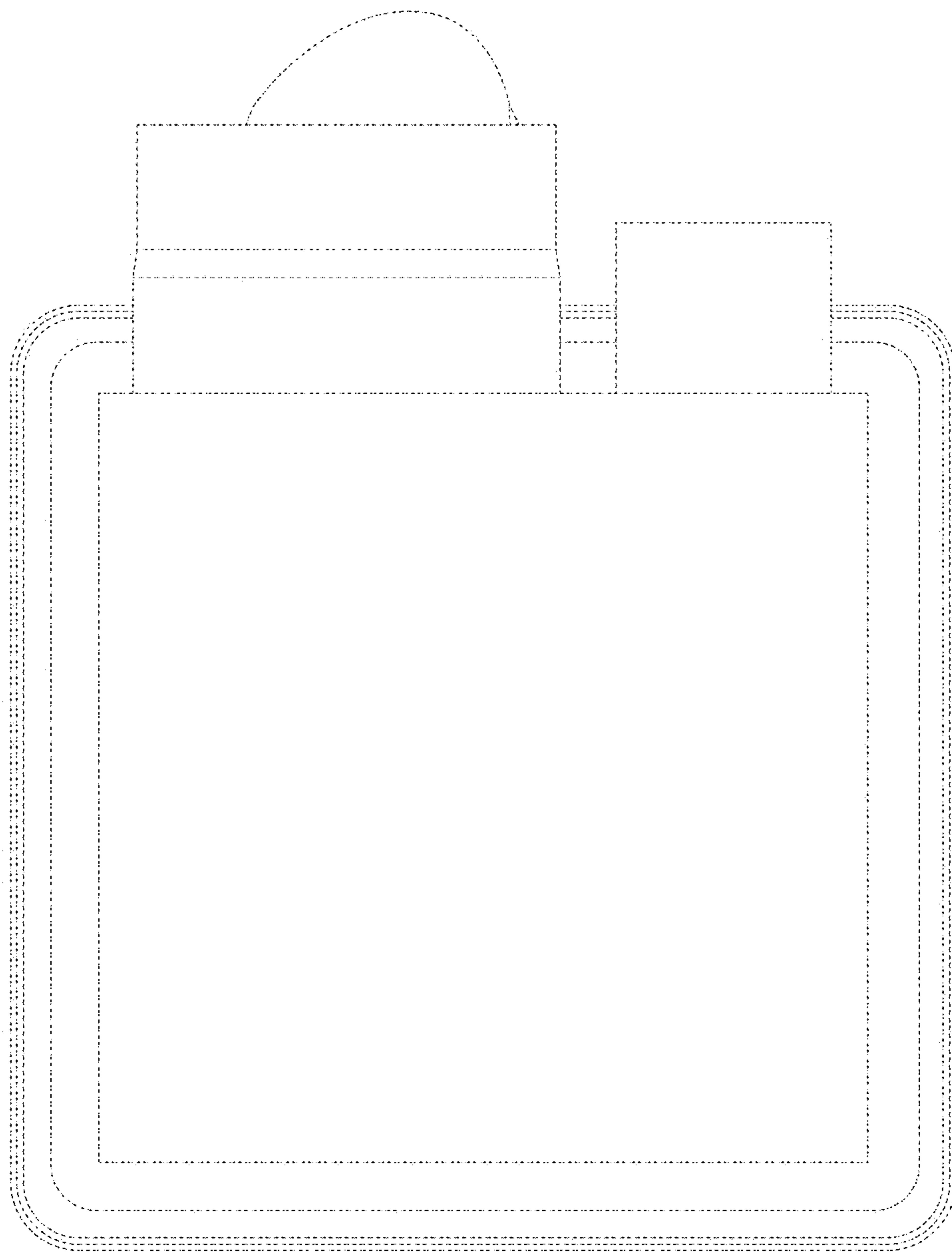


FIG. 4

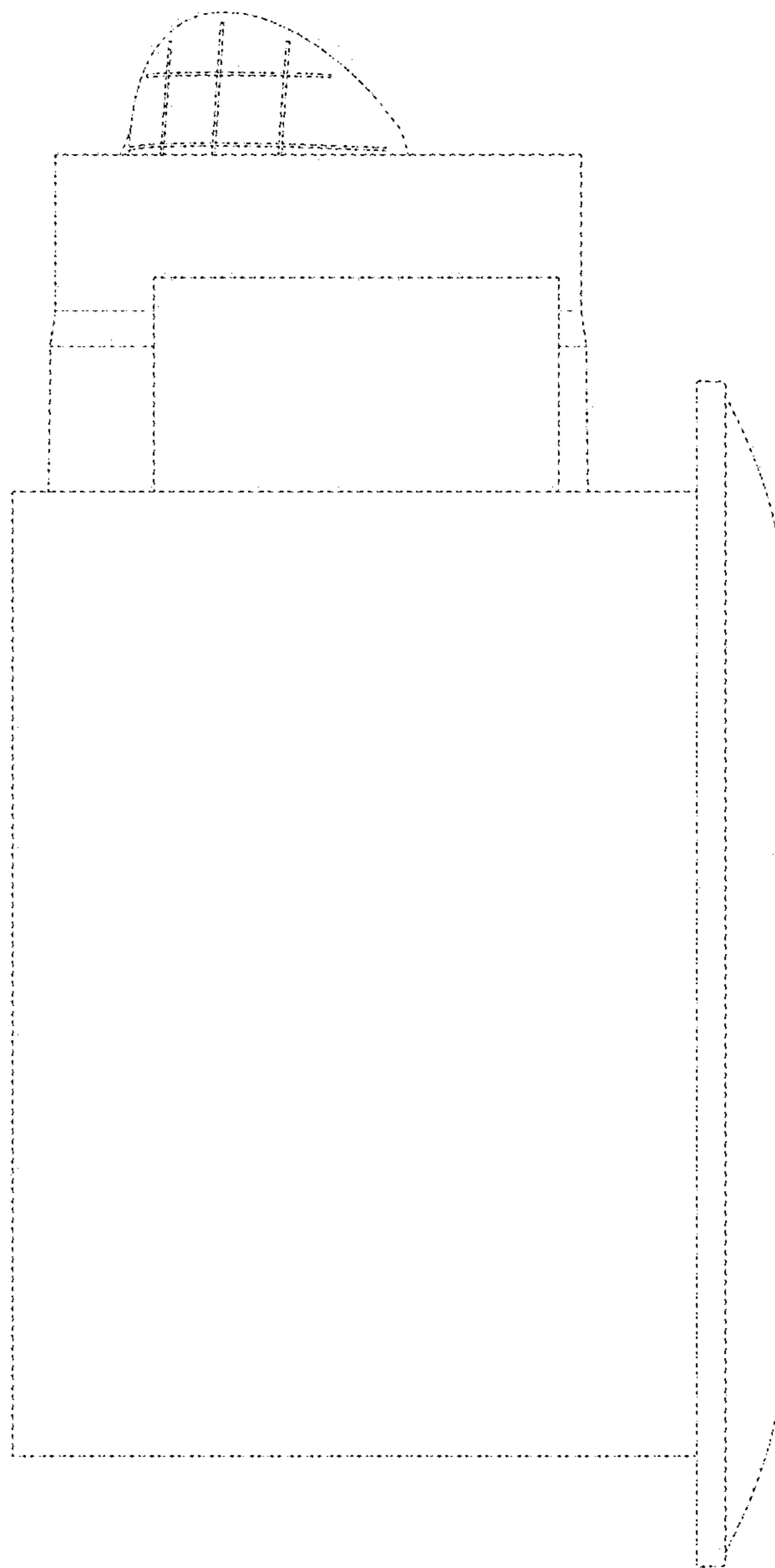


FIG. 5

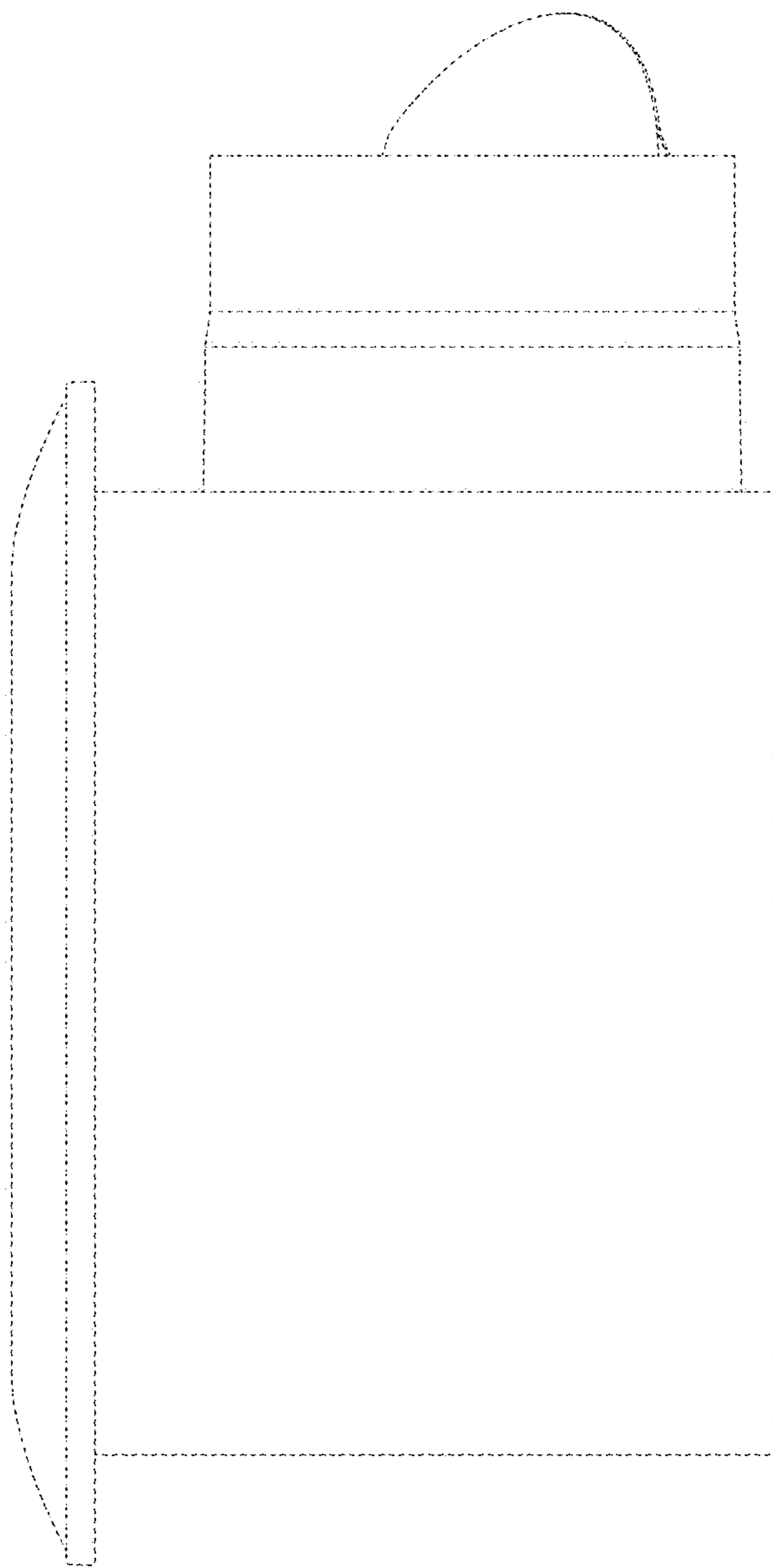


FIG. 6

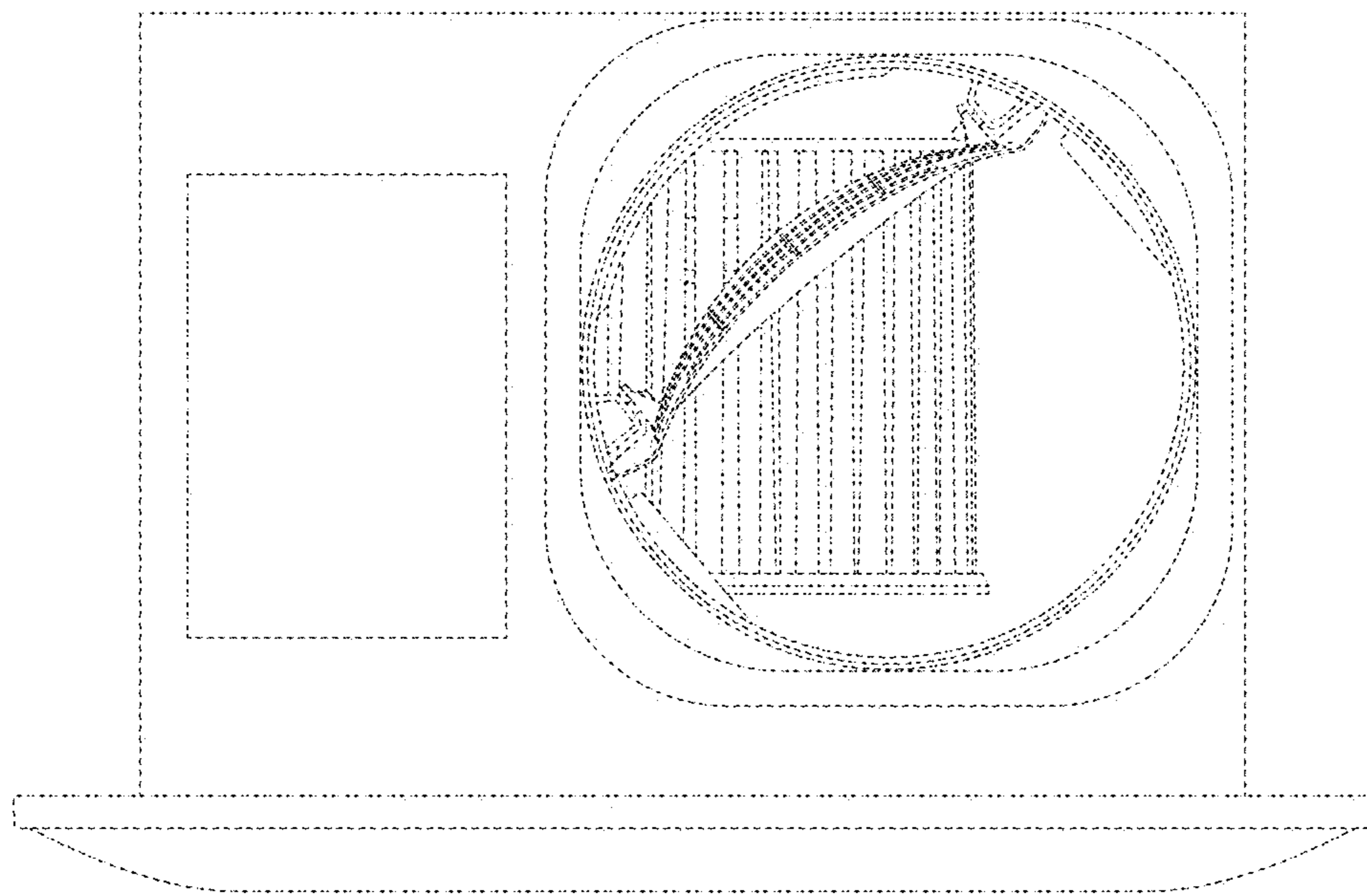




FIG. 7



FIG. 8

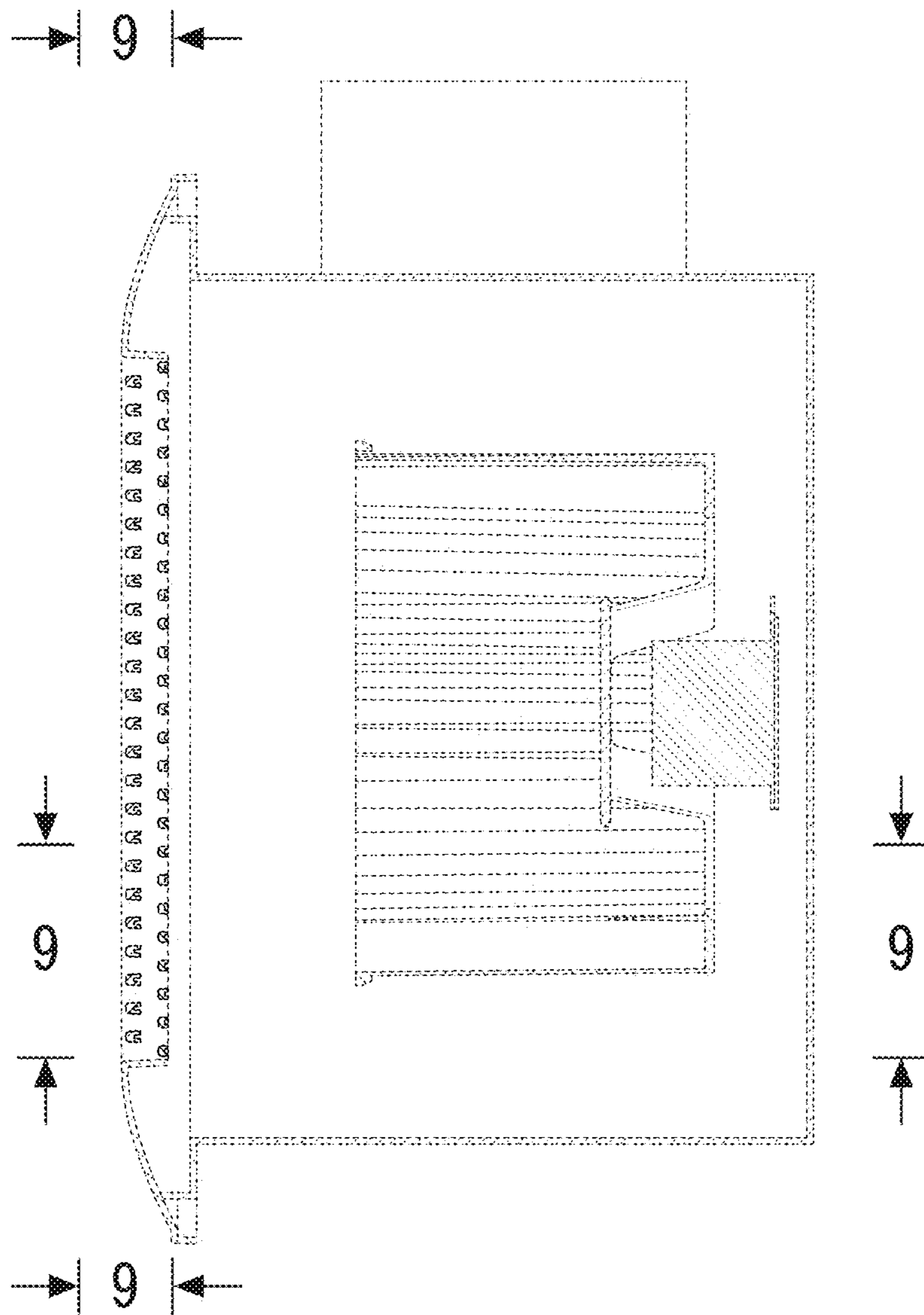


FIG. 9

