



US00D865154S

(12) **United States Design Patent** (10) **Patent No.:** **US D865,154 S**
Takagaki et al. (45) **Date of Patent:** **** Oct. 29, 2019**

(54) **VENTILATING FAN**
(71) Applicant: **Panasonic Intellectual Property Management Co., Ltd., Osaka (JP)**
(72) Inventors: **Keiji Takagaki, Osaka (JP); Nobuyuki Mase, Nara (JP)**
(73) Assignee: **Panasonic Intellectual Property Management Co., Ltd., Osaka (JP)**
(**) Term: **15 Years**
(21) Appl. No.: **29/588,430**
(22) Filed: **Dec. 20, 2016**
(51) **LOC (12) Cl.** **23-04**
(52) **U.S. Cl.**
USPC **D23/385**
(58) **Field of Classification Search**
USPC D23/370, 371, 377-379, 381, 382, D23/385-388, 411, 412; D26/59
CPC F04D 25/088; F04D 29/005; F04D 29/601; F04D 29/324; F21V 33/0096; F21V 33/0092; F24F 13/078
See application file for complete search history.

D617,889 S * 6/2010 Miyake D23/385
D713,951 S * 9/2014 Jepson D23/388
D724,715 S * 3/2015 Isshiki D23/351
9,097,265 B1 * 8/2015 Tom F04D 29/626
D771,231 S * 11/2016 Chen D23/388
D778,424 S * 2/2017 Jonas D23/388
D779,050 S * 2/2017 Jonas D23/388
9,609,407 B2 * 3/2017 Berkman H04R 1/021
D784,511 S * 4/2017 Jonas D23/388
D784,512 S * 4/2017 Jonas D23/388
D799,677 S * 10/2017 Jonas D23/385
D799,678 S * 10/2017 Jonas D23/385
D799,679 S * 10/2017 Jonas D23/385
D799,686 S * 10/2017 Liu D23/412
D800,294 S * 10/2017 Jonas D23/385
D800,295 S * 10/2017 Jonas D23/385

(Continued)

Primary Examiner — Janice Hallmark
(74) *Attorney, Agent, or Firm* — Panasonic IP Management; Kerry S. Culpepper

(57) **CLAIM**

We claim the ornamental design for a ventilating fan, as shown and described.

DESCRIPTION

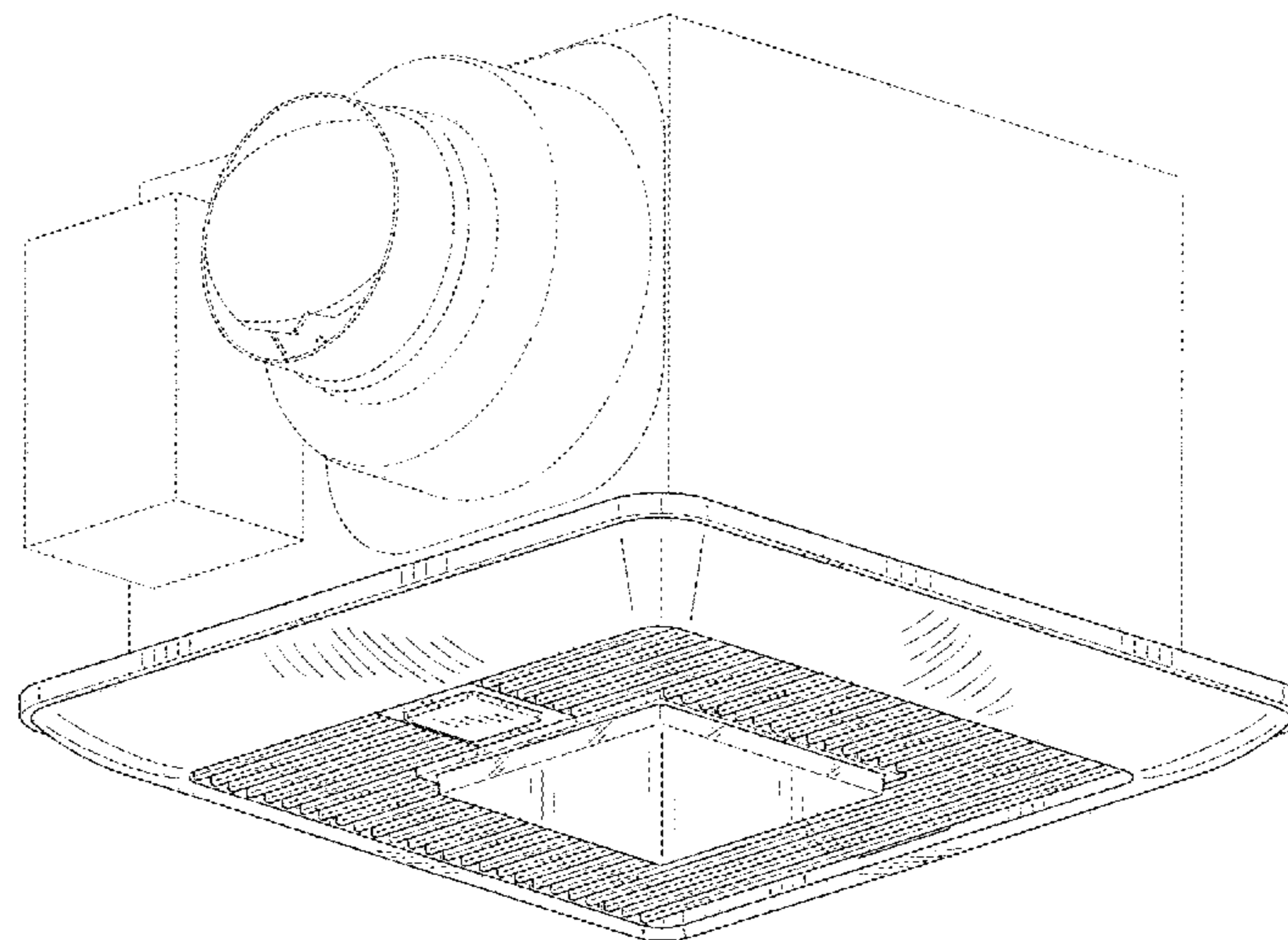
FIG. 1 is a front perspective view of a ventilating fan of the present invention;
FIG. 2 is a front view thereof;
FIG. 3 is a rear view thereof;
FIG. 4 is a first side view thereof;
FIG. 5 is a second side view thereof;
FIG. 6 is a top view thereof;
FIG. 7 is a bottom view thereof;
FIG. 8 is a cross-sectional view taken along the line 8-8 in FIG. 2 with the internal parts being omitted; and,
FIG. 9 is an enlarged view between 9-9 in FIG. 8 thereof.
The broken line showing of ventilating fan is included for the purpose of illustrating environment and forms no part of the claimed design.

1 Claim, 9 Drawing Sheets

(56) **References Cited**

U.S. PATENT DOCUMENTS

D401,682 S * 11/1998 Galeazzi D23/351
D416,315 S * 11/1999 Nanjo D23/351
D426,292 S * 6/2000 Nanjo D23/351
D448,462 S * 9/2001 Nanjo D23/351
D510,996 S * 10/2005 Vladika D23/385
D541,927 S 5/2007 Yamanaka et al.
D577,431 S * 9/2008 Miyake D23/385
D581,508 S * 11/2008 Miyake D23/371
D584,393 S * 1/2009 Miyake D23/370
D584,394 S * 1/2009 Miyake D23/370
D595,402 S * 6/2009 Miyake D23/385
D617,441 S * 6/2010 Koury D23/385



(56)

References Cited

U.S. PATENT DOCUMENTS

D800,892 S *	10/2017	Jonas	D23/385
D808,001 S *	1/2018	Berkman	D23/371
D812,733 S *	3/2018	Schanzenbach	D23/371
D815,724 S *	4/2018	Jonas	D23/385
D816,206 S *	4/2018	Jonas	D23/385
D826,392 S *	8/2018	Sinur	D23/372
D838,829 S *	1/2019	Puffer	D23/370
D838,830 S *	1/2019	Puffer	D23/370

* cited by examiner

FIG. 1

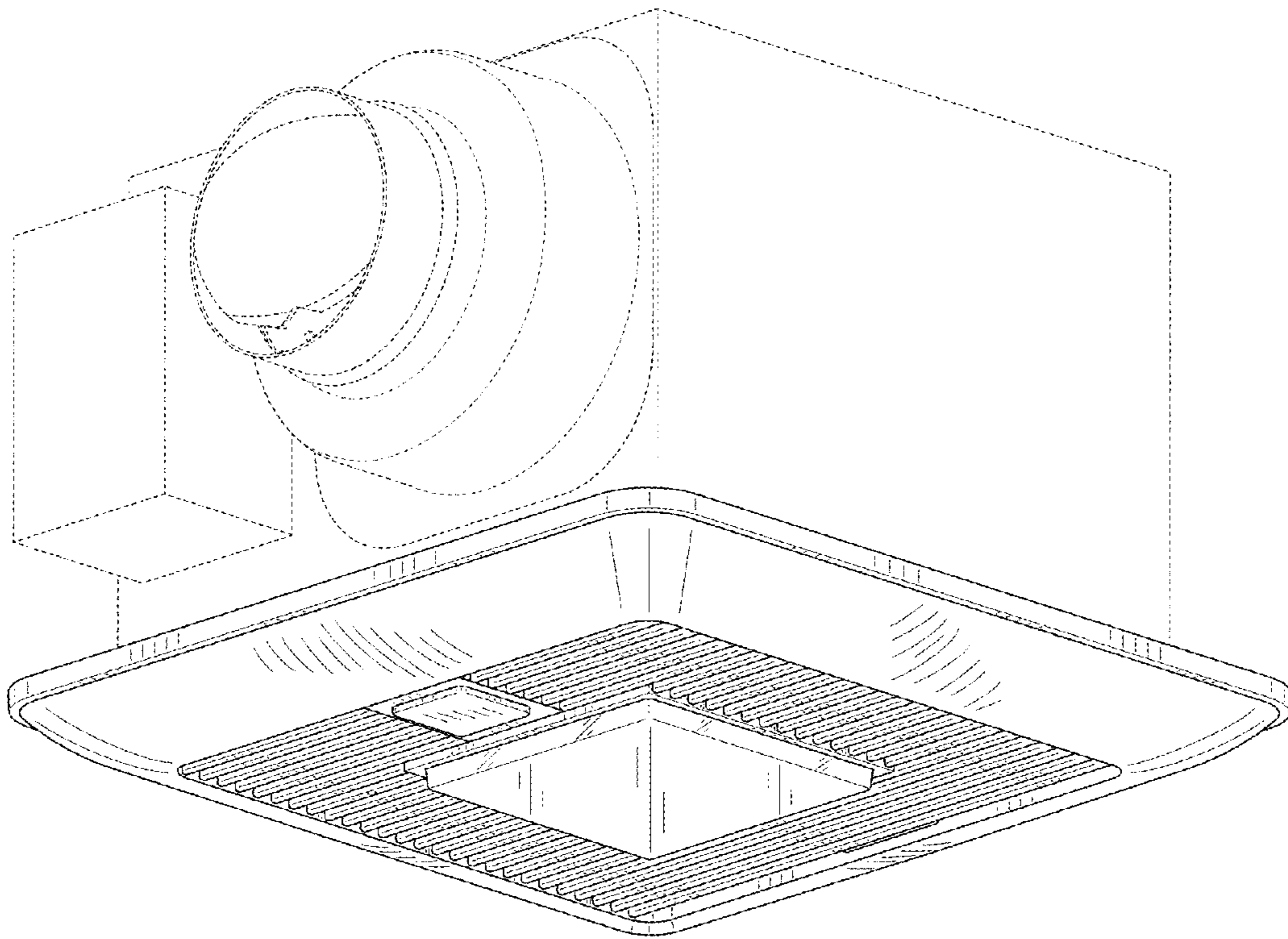


FIG. 2

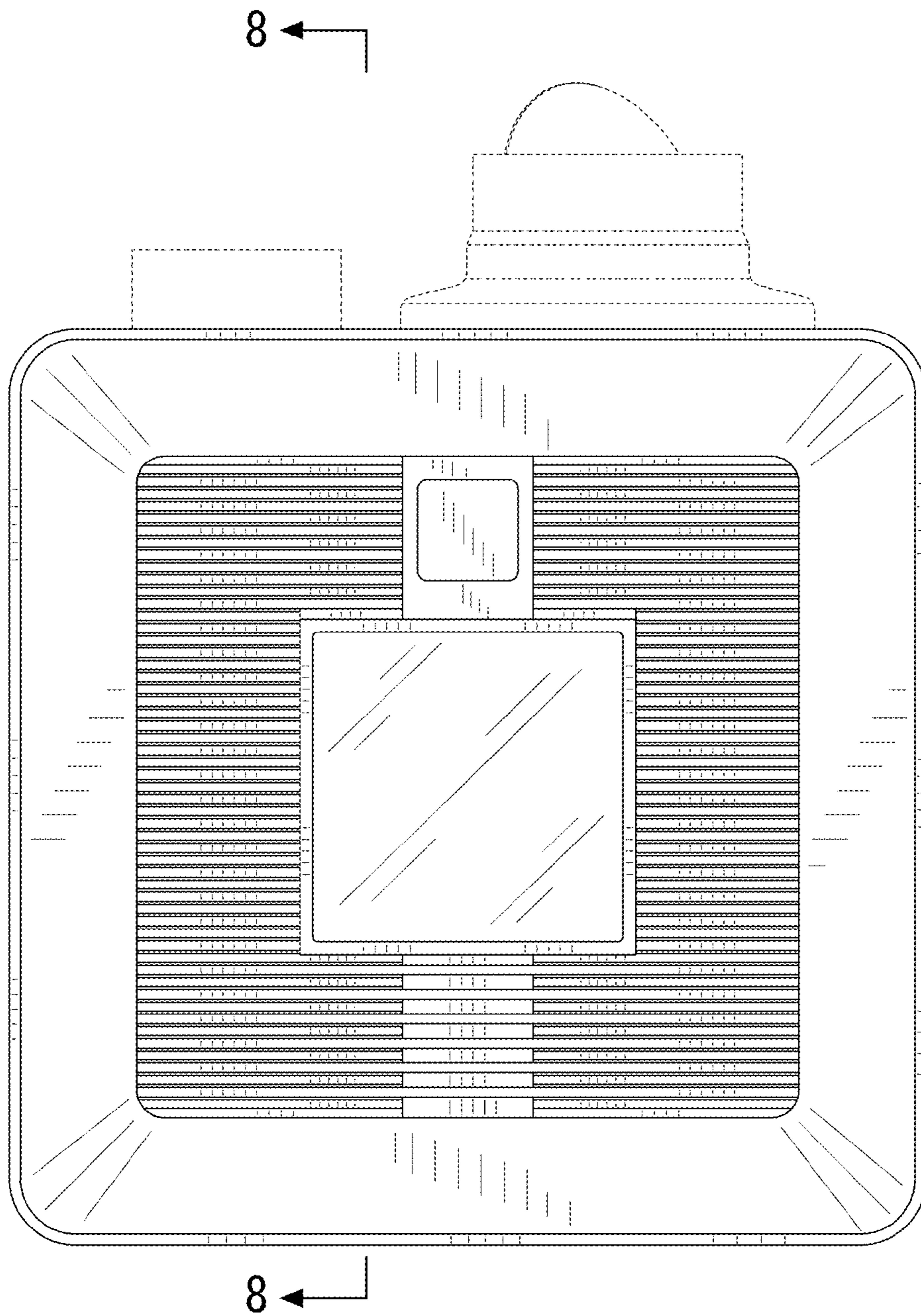


FIG. 3

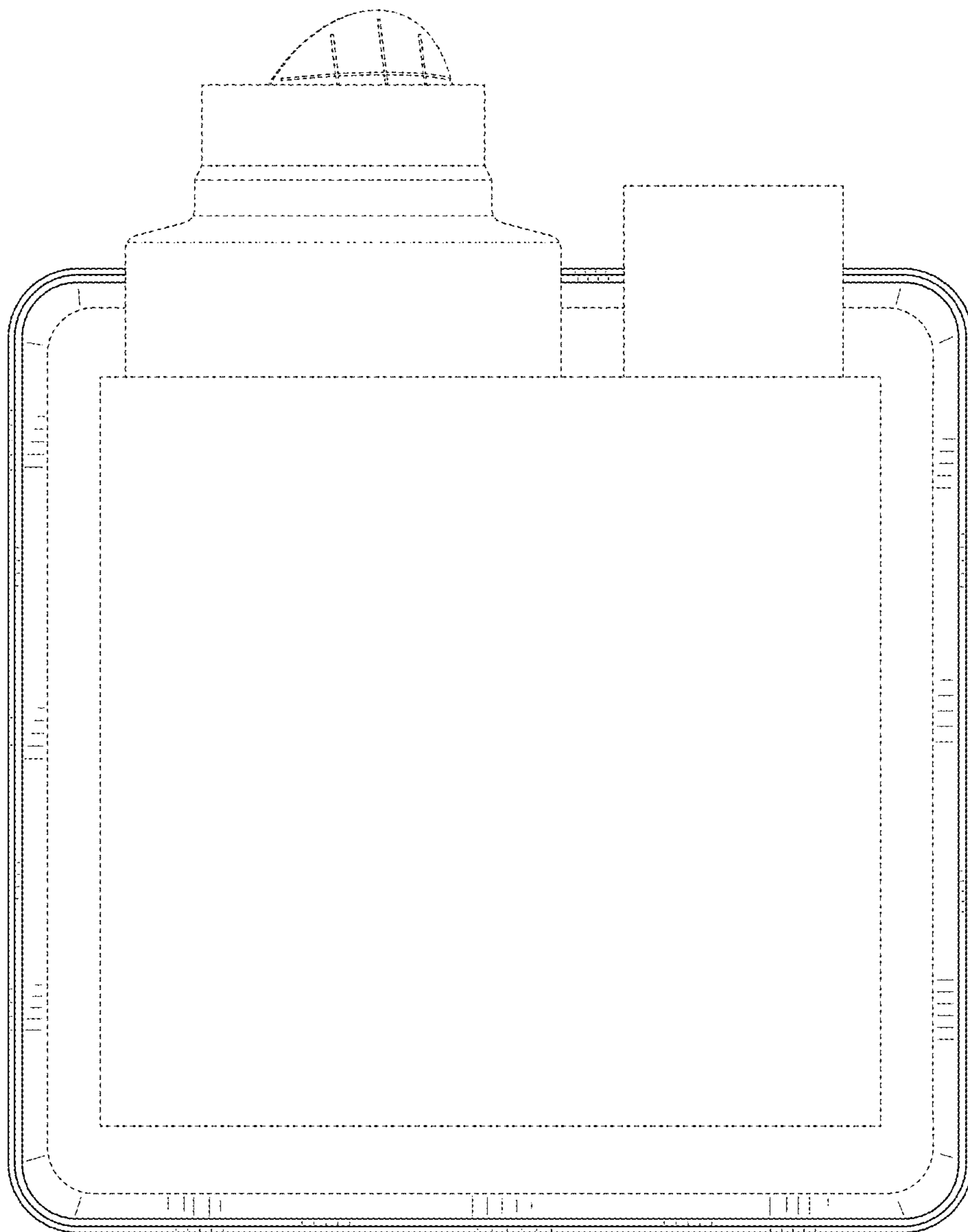


FIG. 4

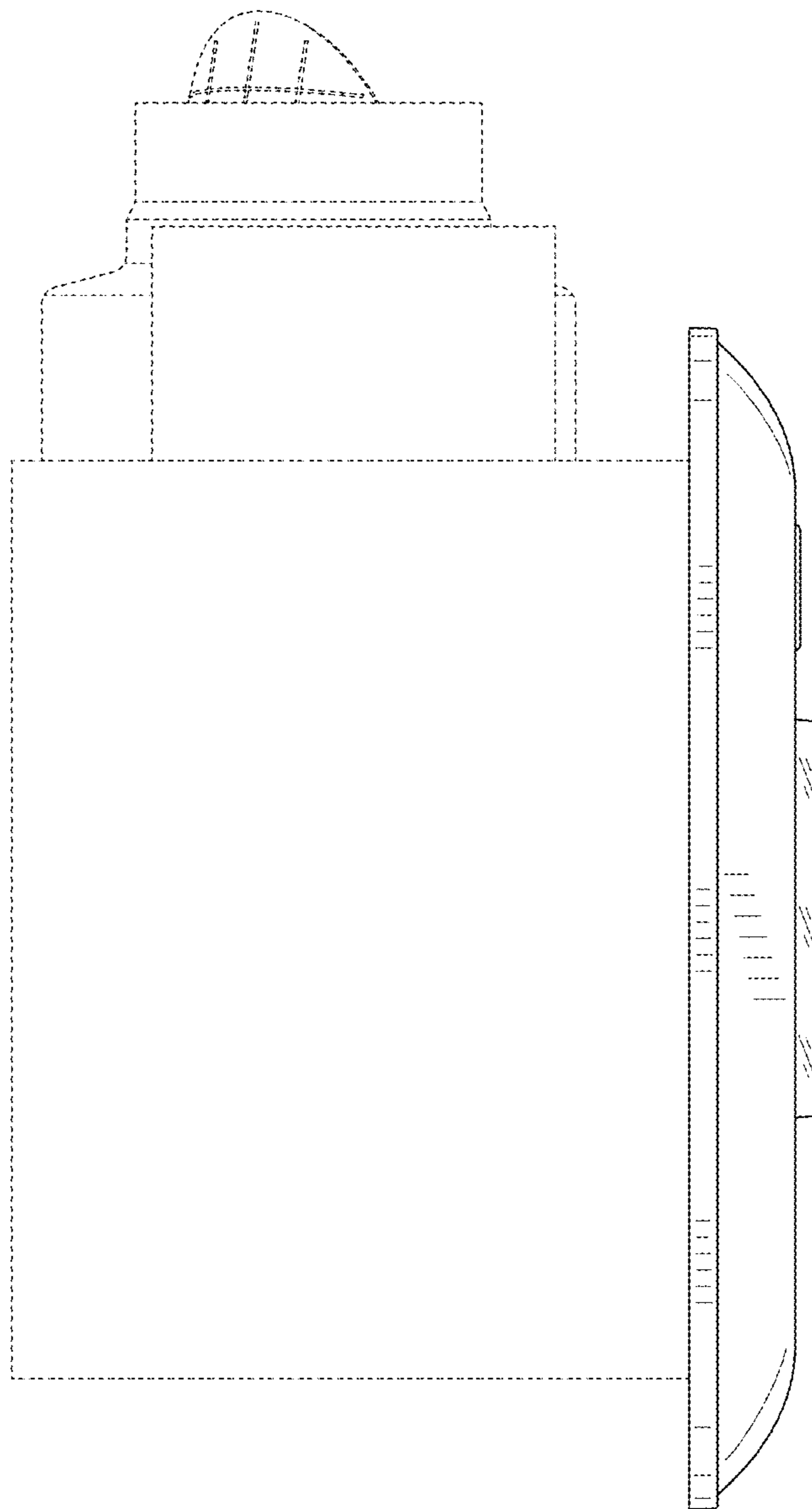


FIG. 5

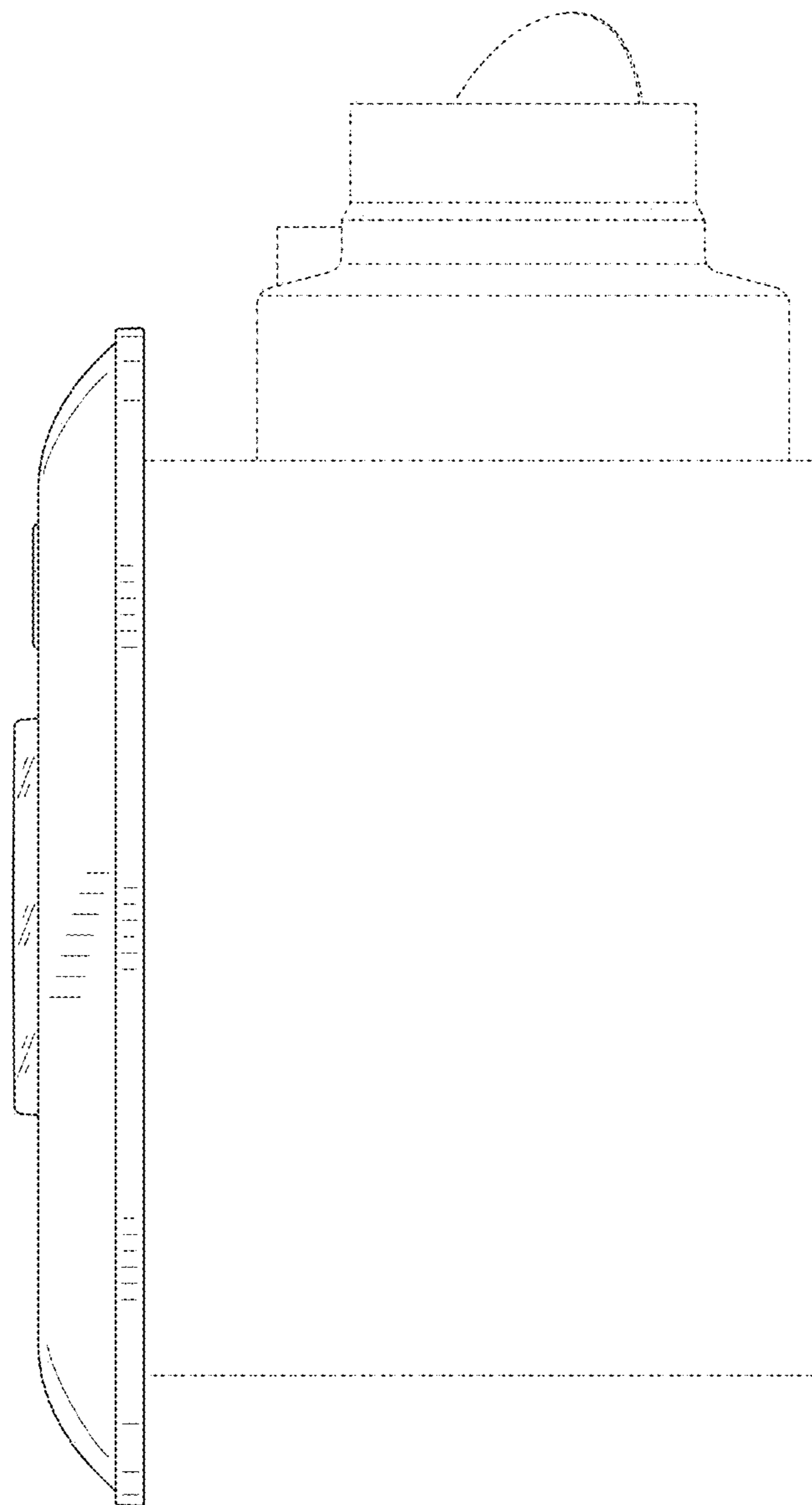


FIG. 6

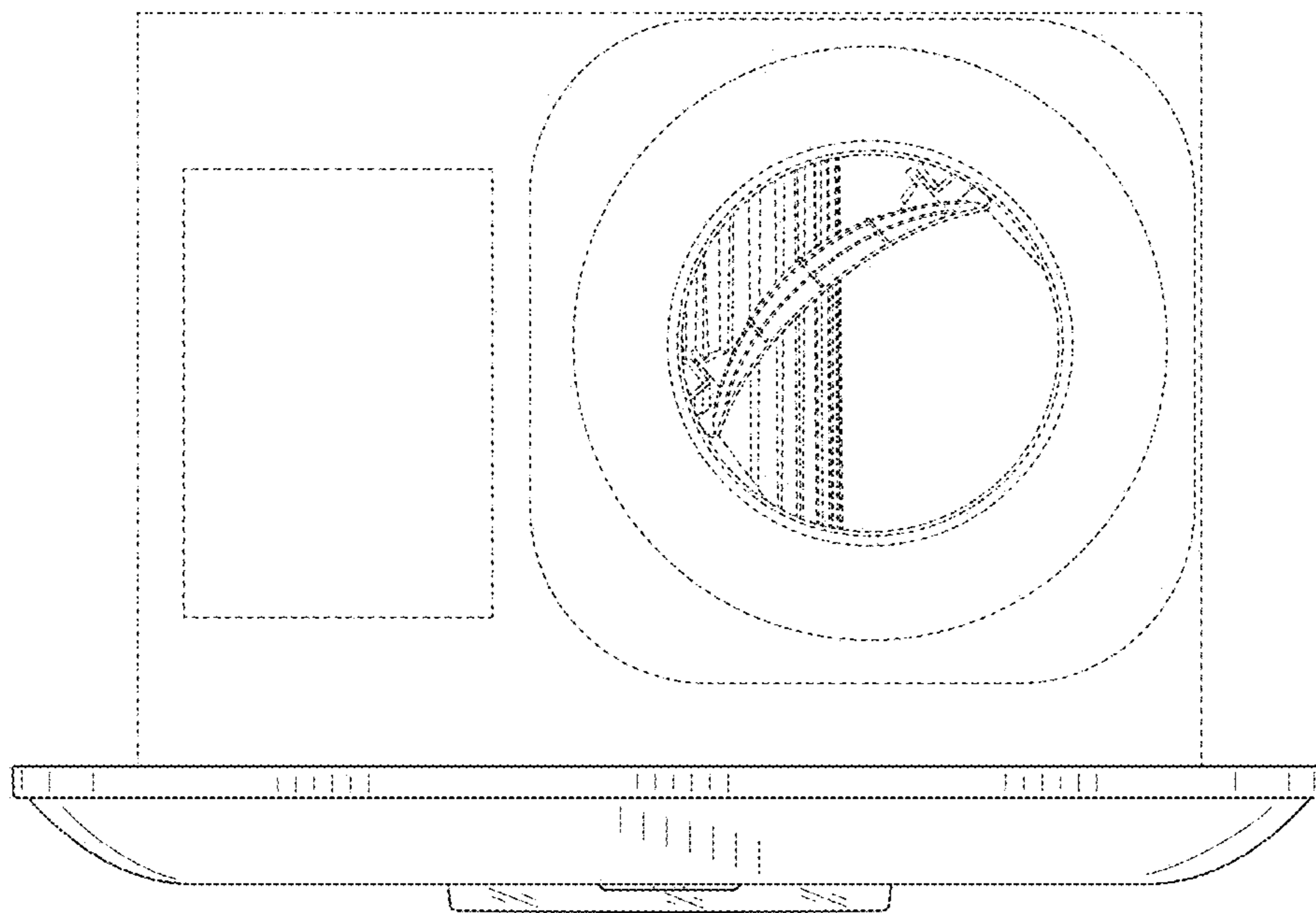


FIG. 7

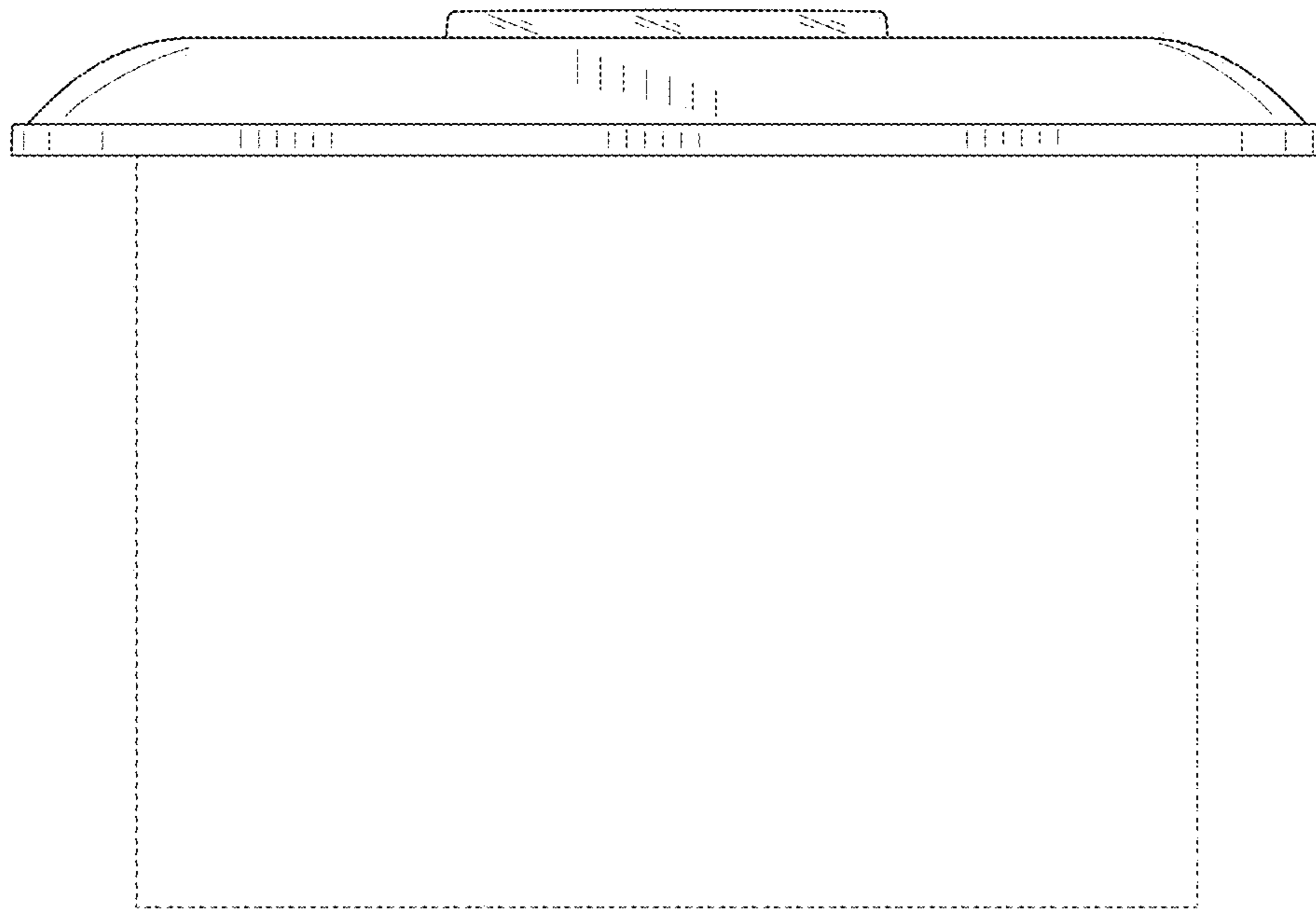


FIG. 8

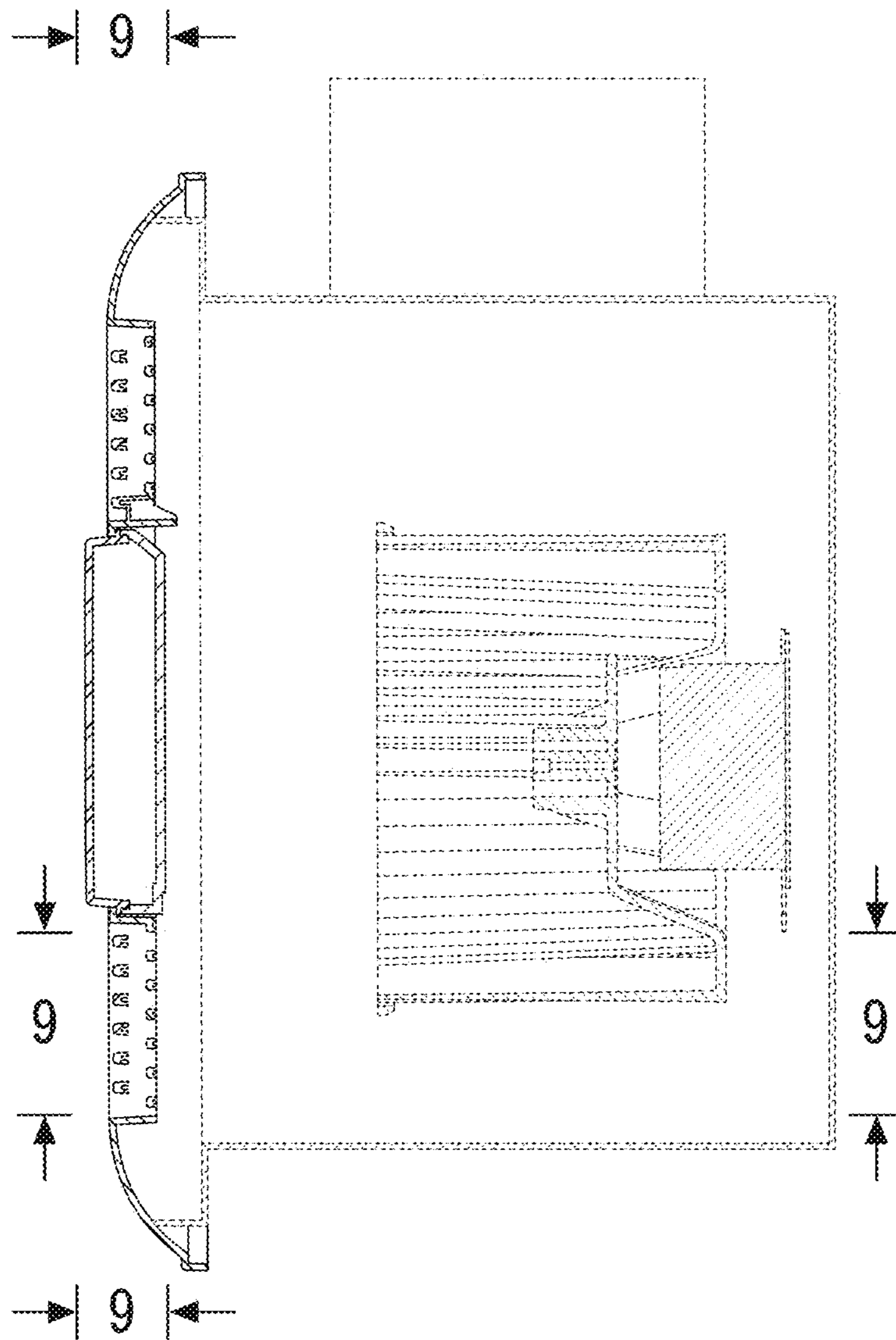


FIG. 9

