



US00D865152S

(12) **United States Design Patent** (10) **Patent No.:** **US D865,152 S**
Kim (45) **Date of Patent:** **** Oct. 29, 2019**

(54) **KITCHEN HOOD**

(71) Applicant: **SAMSUNG ELECTRONICS CO., LTD.**, Suwon-si, Gyeonggi-do (KR)

(72) Inventor: **Daejong Kim**, Suwon-si (KR)

(73) Assignee: **SAMSUNG ELECTRONICS CO., LTD.**, Gyeonggi-Do (KR)

(**) Term: **15 Years**

(21) Appl. No.: **29/644,495**

(22) Filed: **Apr. 18, 2018**

(30) **Foreign Application Priority Data**

Dec. 29, 2017 (KR) 30-2017-0062642

(51) **LOC (12) Cl.** **23-04**

(52) **U.S. Cl.**
USPC **D23/372**

(58) **Field of Classification Search**
USPC D23/332-337, 370-385, 411
CPC .. F24C 15/2042; F24C 15/2021; F24C 13/00;
F24C 15/20; F24C 15/2028; F24C
15/2035; F24C 15/205; F24C 15/2071;
F24C 15/2085; F24C 15/2092
See application file for complete search history.

(56) **References Cited**

U.S. PATENT DOCUMENTS

D237,971 S * 12/1975 Chiang D23/372
D332,305 S * 1/1993 Karlsson D23/371
D443,351 S * 6/2001 Strand D23/372
D450,379 S * 11/2001 Strand D23/372
D452,558 S * 12/2001 Tamura D23/372
D452,907 S * 1/2002 Tamura D23/372
D462,435 S * 9/2002 Kojima D23/372
D489,805 S * 5/2004 Vetter F24C 15/20
D23/371
D526,711 S * 8/2006 Galeazzi D23/372

D527,088 S * 8/2006 Hendrickx D23/372
D532,508 S * 11/2006 Cheng D23/372
D535,009 S * 1/2007 Sinur D23/372
D557,397 S * 12/2007 Sinur D23/372
D563,539 S * 3/2008 Sinur D23/372

(Continued)

FOREIGN PATENT DOCUMENTS

EM 002226316-0006 5/2013
EM 002464453-0003 5/2014

(Continued)

OTHER PUBLICATIONS

The range hood, Application No. 201730233091, application date Jun. 9, 2017, date published Dec. 22, 2017, published in China, site visited Jul. 1, 2019, available at www.orbit.com.*

(Continued)

Primary Examiner — Cathron C Brooks
Assistant Examiner — Sharon S Oum
(74) *Attorney, Agent, or Firm* — Cantor Colburn LLP

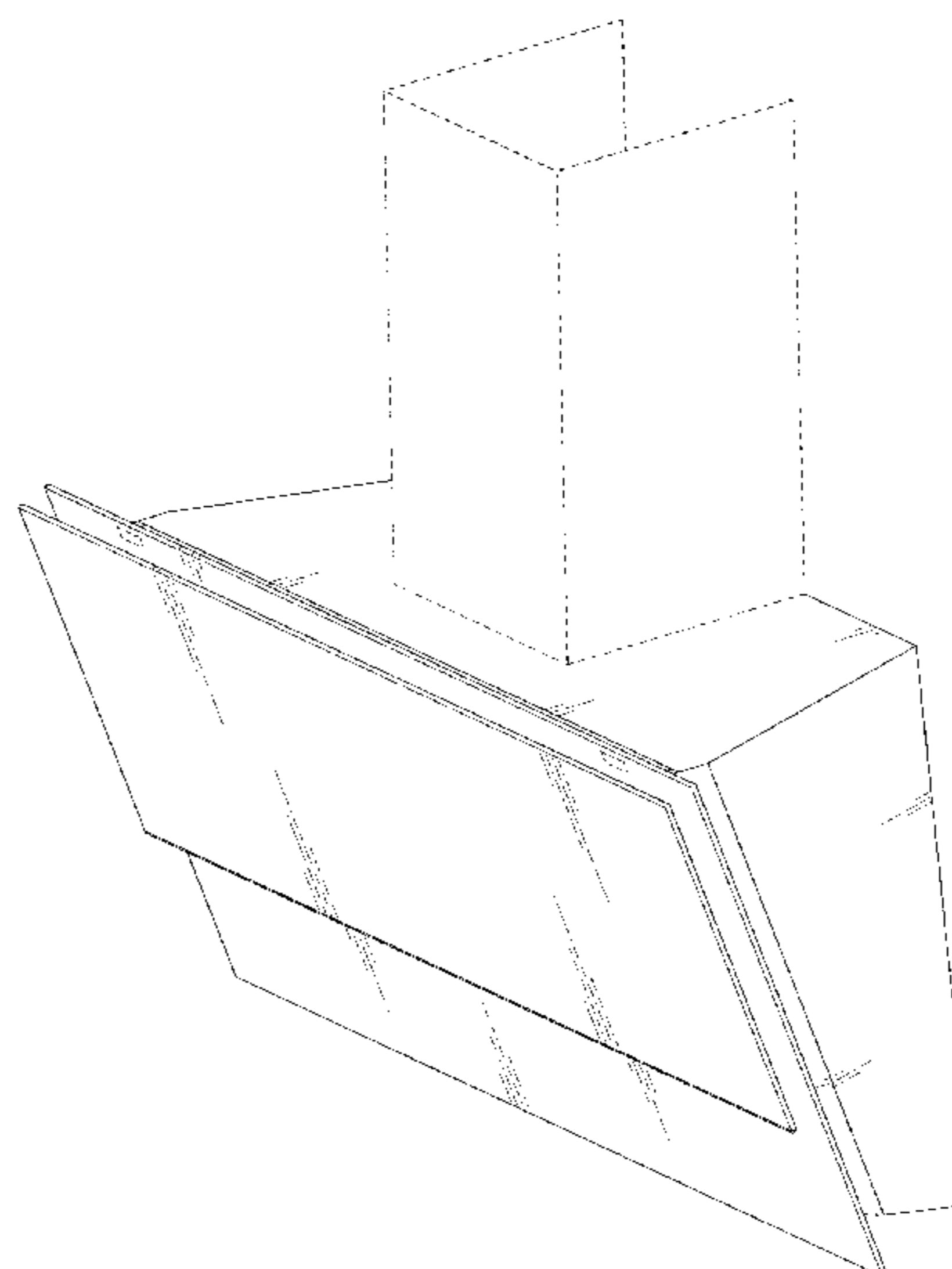
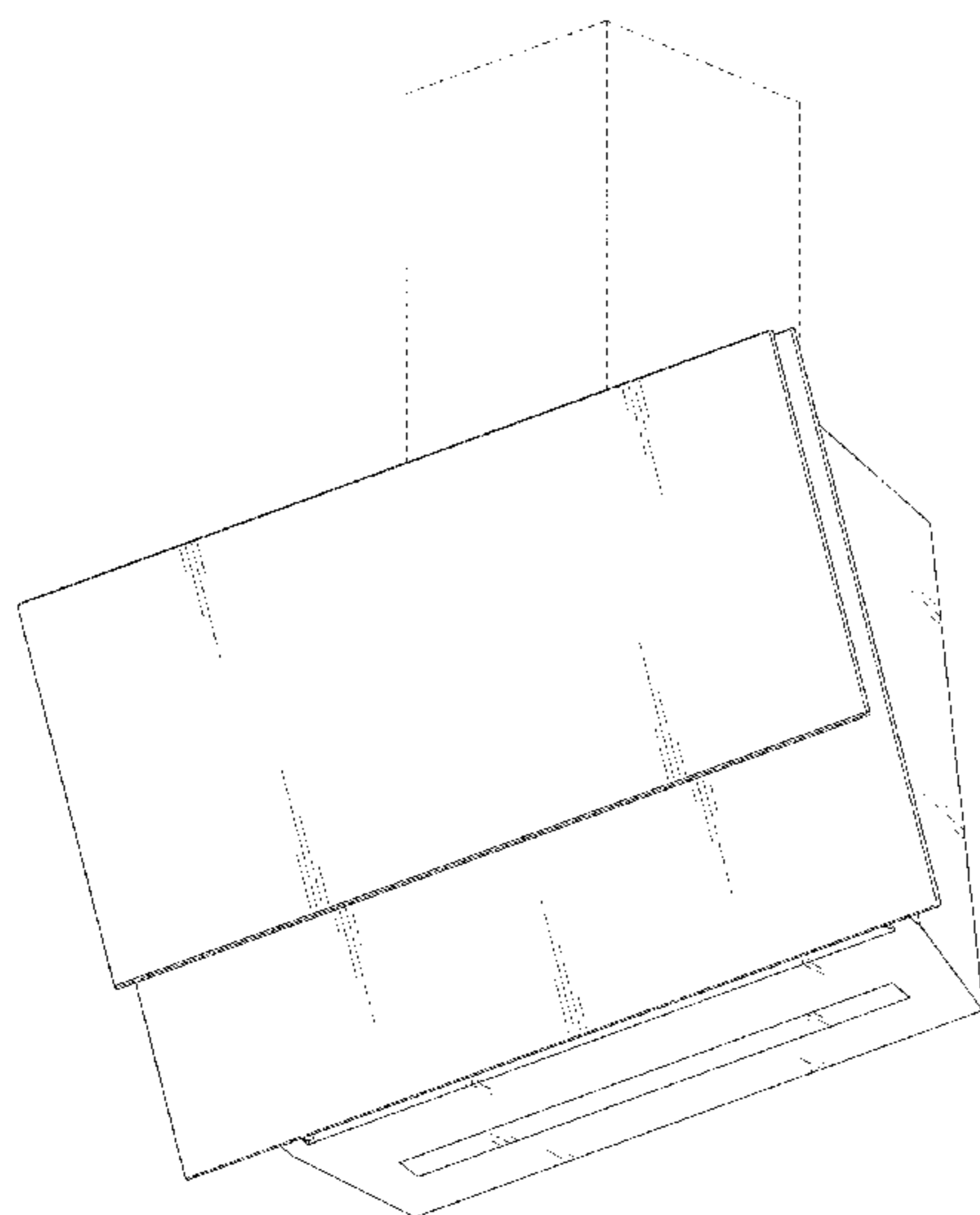
(57) **CLAIM**

The ornamental design for a kitchen hood, as shown and described.

DESCRIPTION

FIG. 1 is a bottom perspective view of a kitchen hood, showing my new design;
FIG. 2 is a front view thereof;
FIG. 3 is a rear view thereof;
FIG. 4 is a left side view thereof;
FIG. 5 is a right side view thereof;
FIG. 6 is a top plan view thereof;
FIG. 7 is a bottom view thereof; and,
FIG. 8 is a top perspective view thereof.
The broken lines depict portions of the kitchen hood that form no part of the claimed design.

1 Claim, 8 Drawing Sheets



(56)

References Cited

U.S. PATENT DOCUMENTS

D565,719 S * 4/2008 Cheng D23/372
D576,264 S * 9/2008 Groleben D23/372
D659,232 S * 5/2012 Funnell, II D23/371
D783,798 S * 4/2017 Ura D23/393
2010/0071326 A1* 3/2010 Alexander B01D 39/1615
55/514
2013/0092148 A1* 4/2013 Parvin F24C 15/20
126/299 D
2019/0072282 A1* 3/2019 Fang G01N 21/53

FOREIGN PATENT DOCUMENTS

EM 002732396-0030 7/2015
EM 003487768-0002 12/2016
EM 002537228-0002 3/2017
EM 003754159-0003 3/2017

OTHER PUBLICATIONS

YouTube. Neptune Angled Glass Kitchen Extractor-Luxair Cooker Hoods [online]. Page 1 of 1 [retrieved on Feb. 9, 2016]. Retrieved from the Internet: <URL: <https://www.youtube.com/watch?v=pck157tpsm0>>.

* cited by examiner

FIG. 1

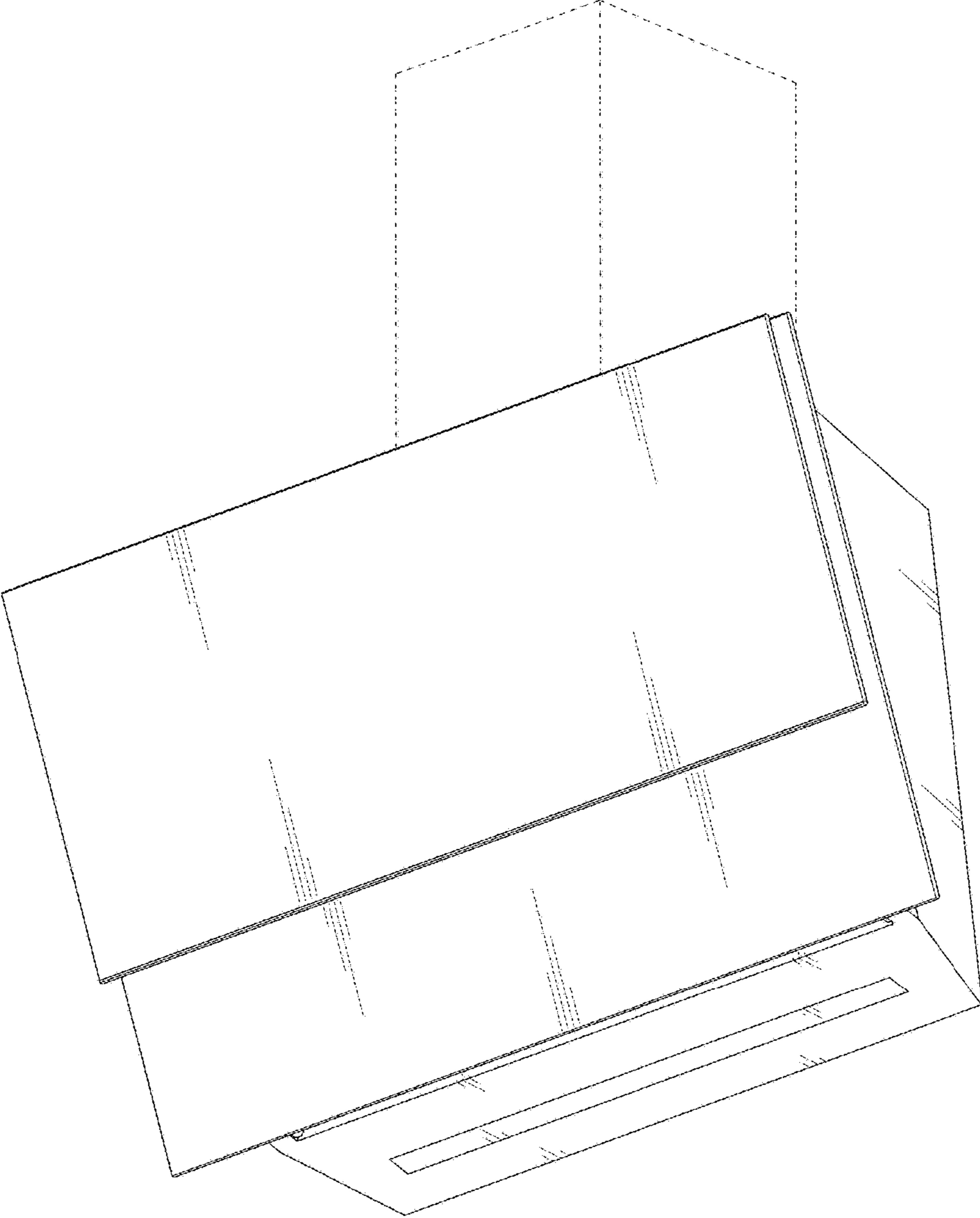


FIG. 2

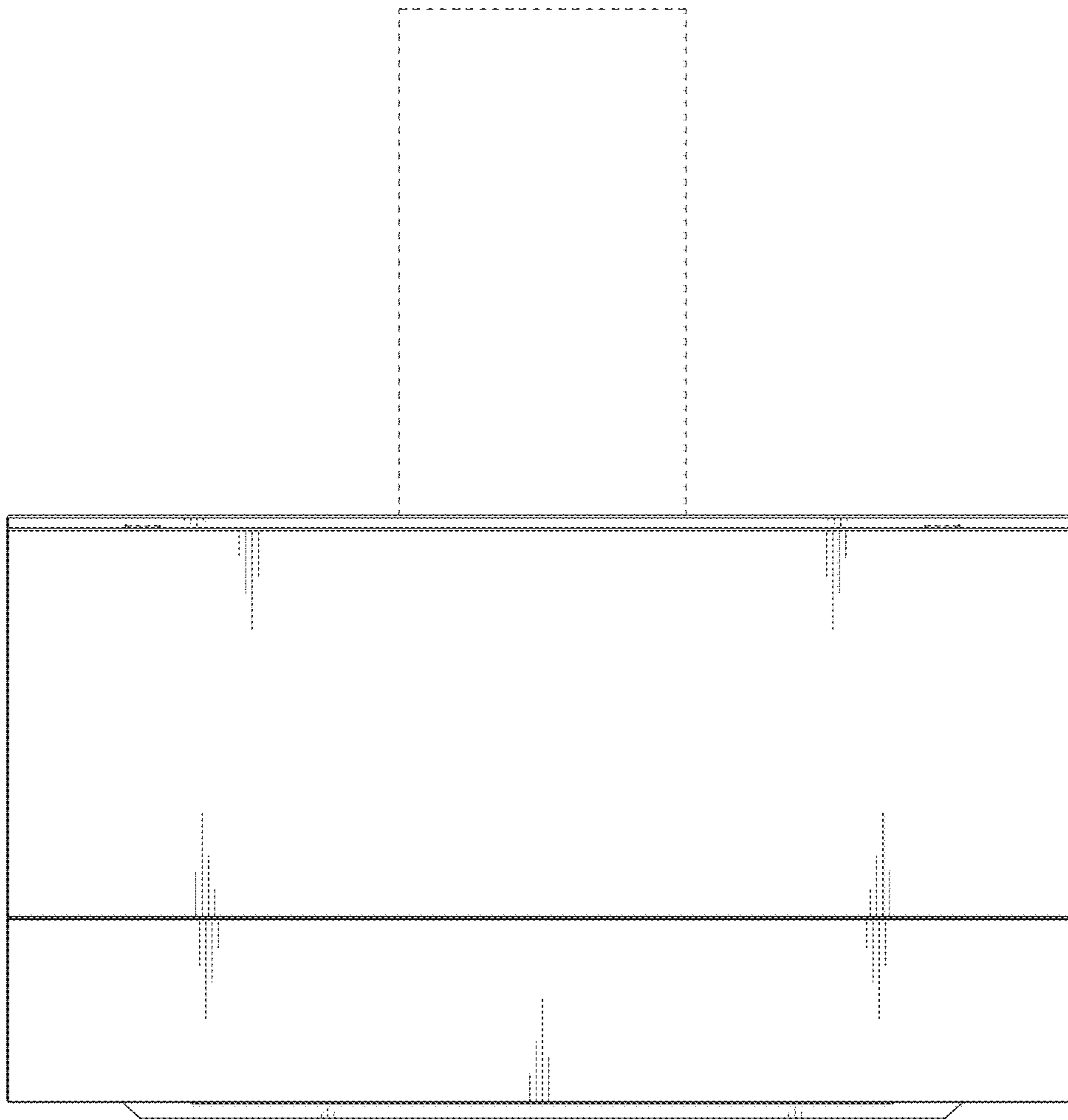


FIG. 3

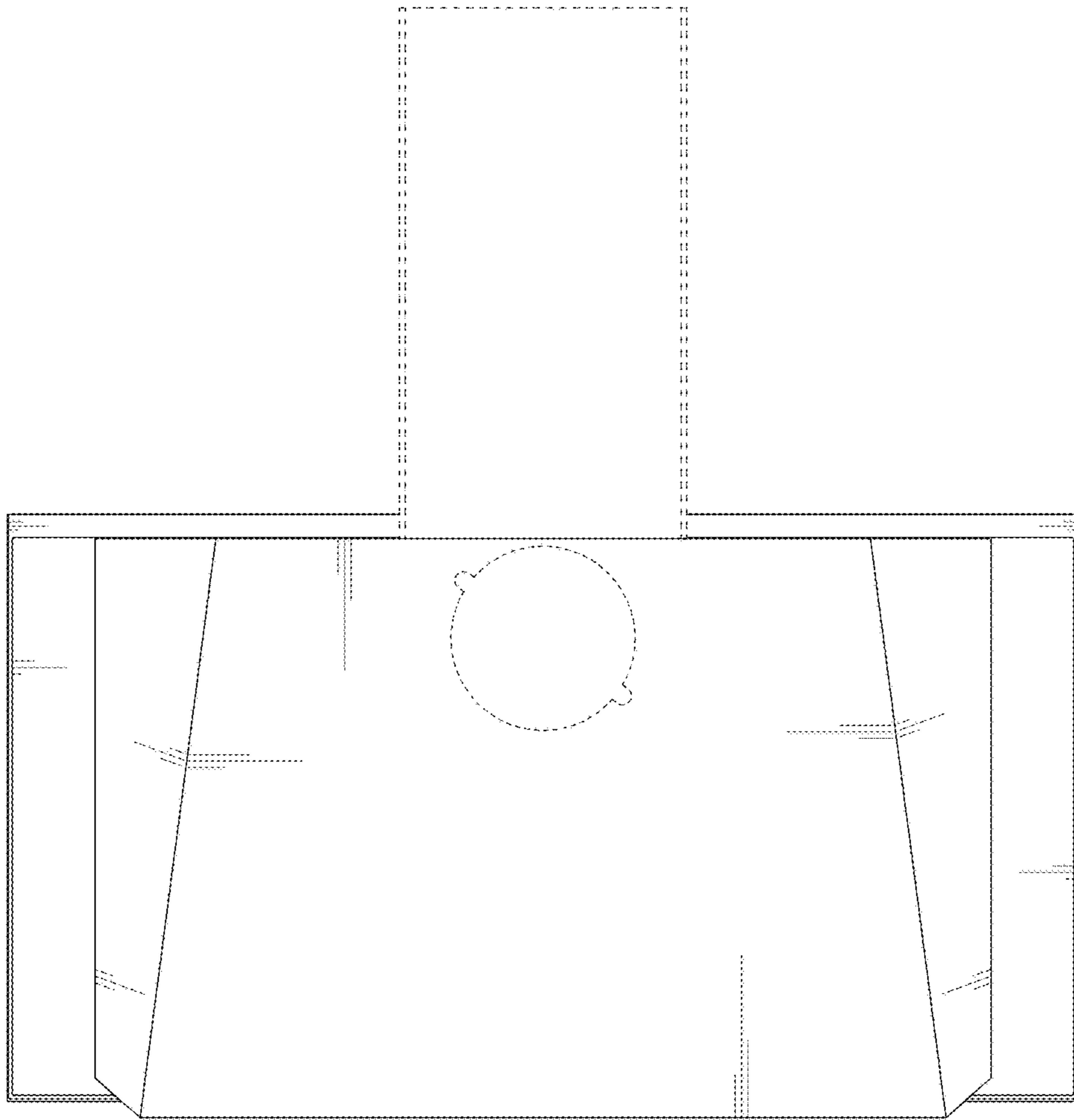


FIG. 4

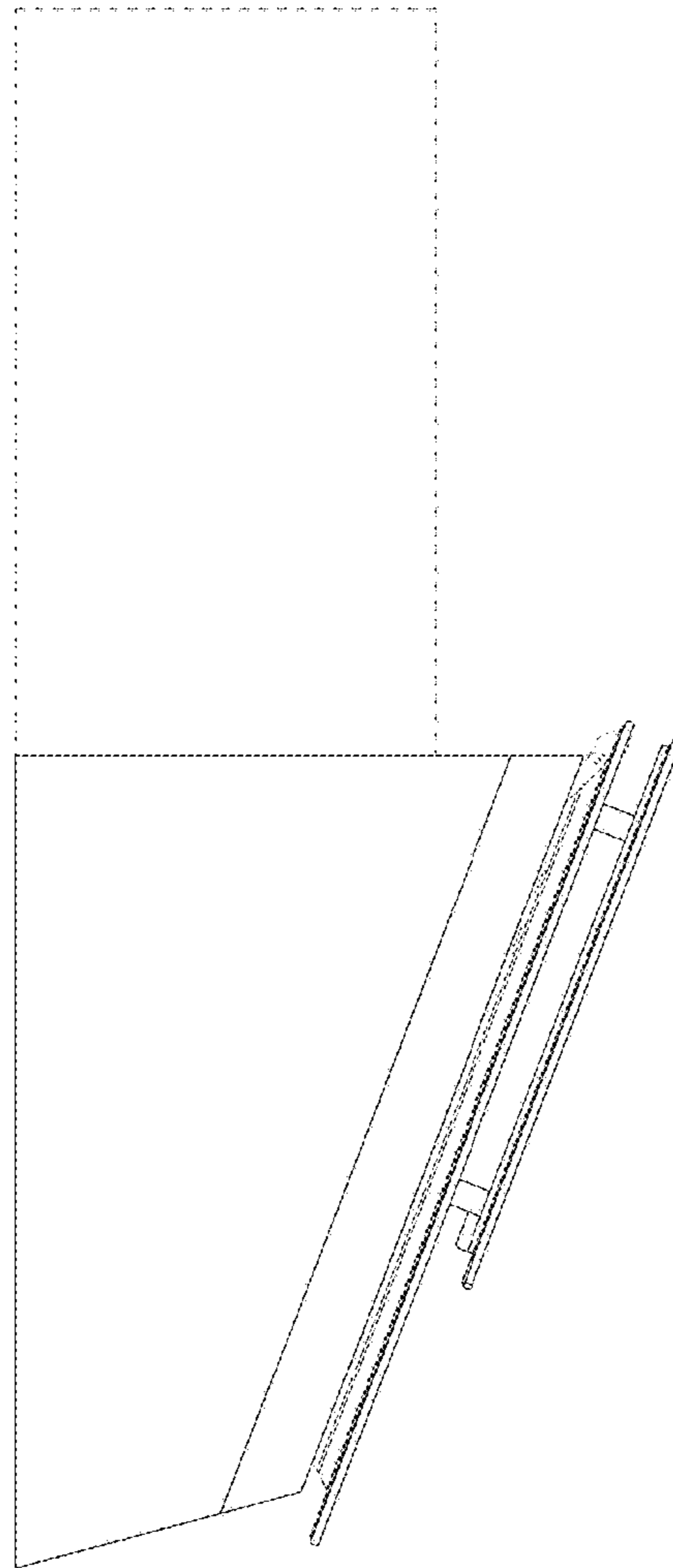


FIG. 5

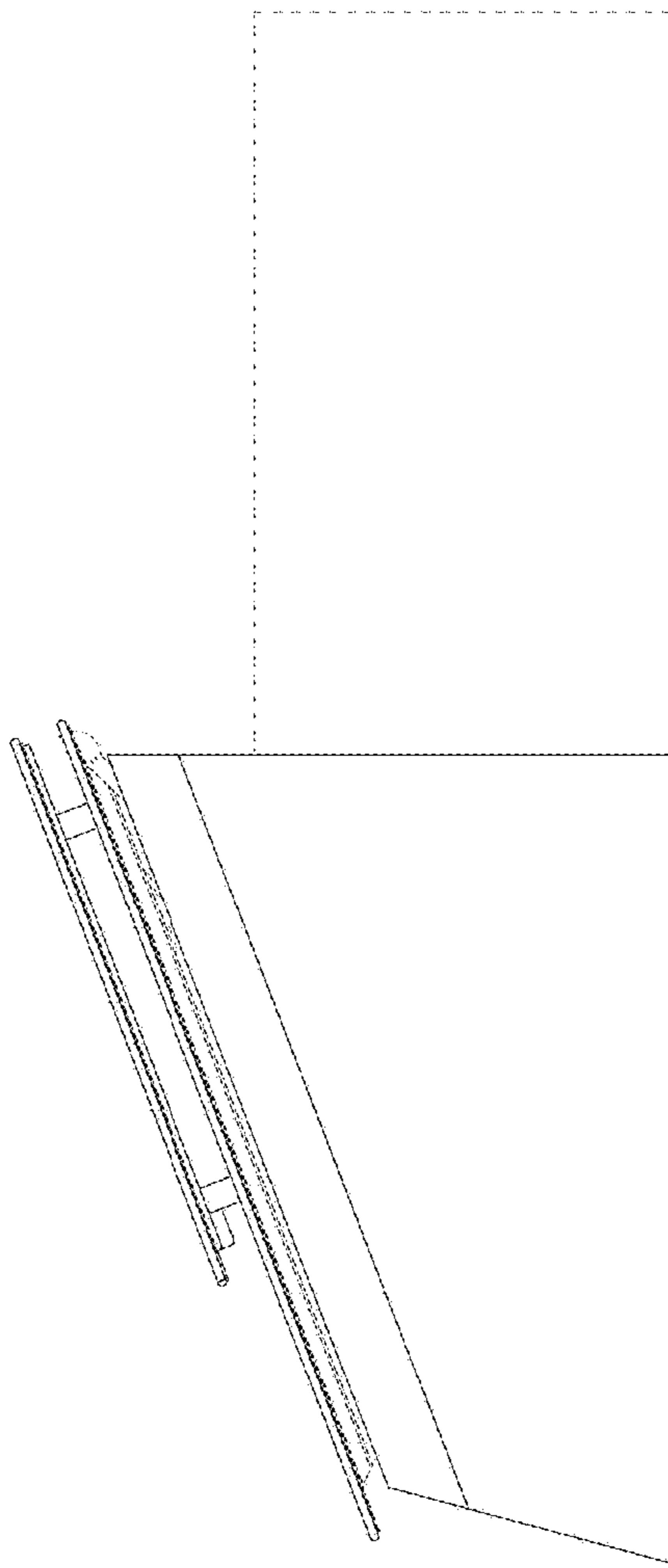


FIG. 6

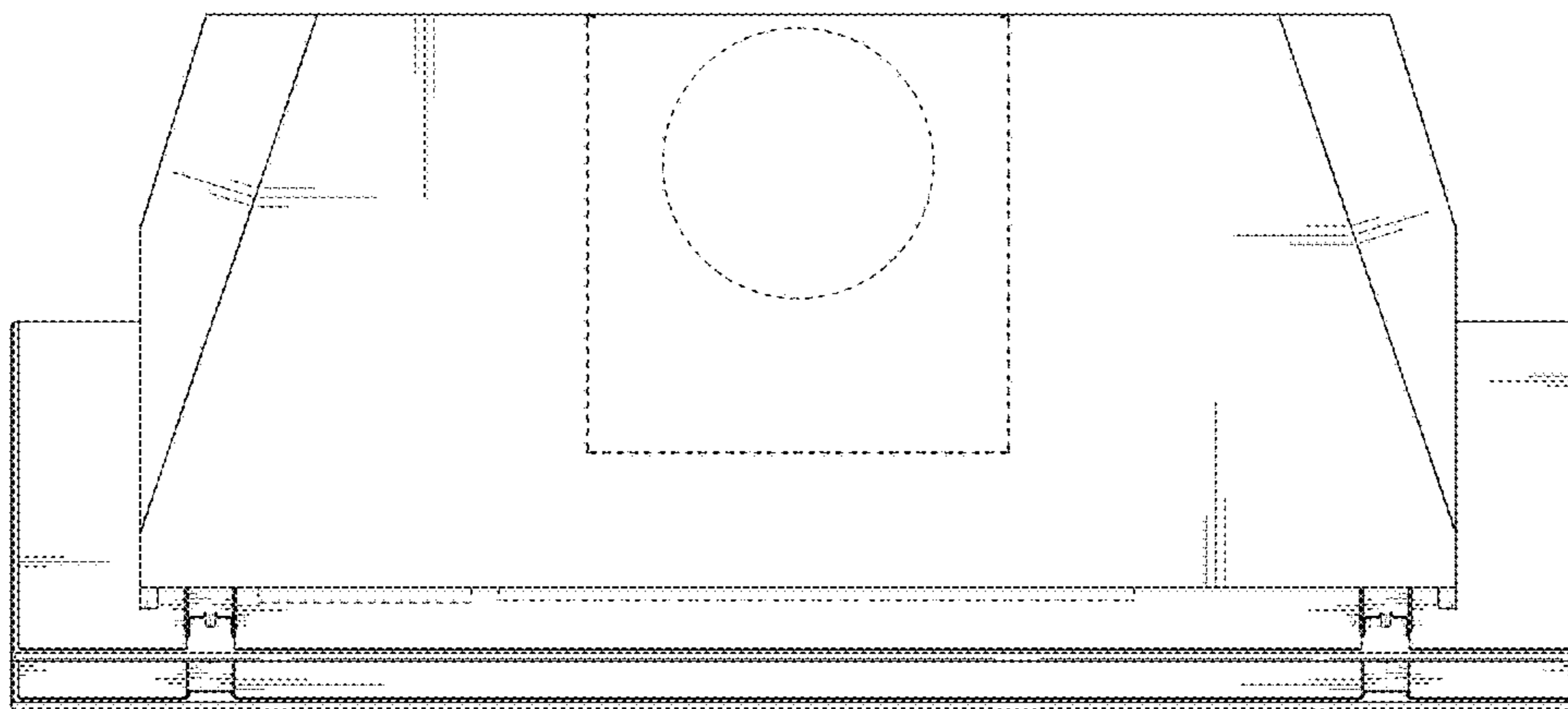


FIG. 7

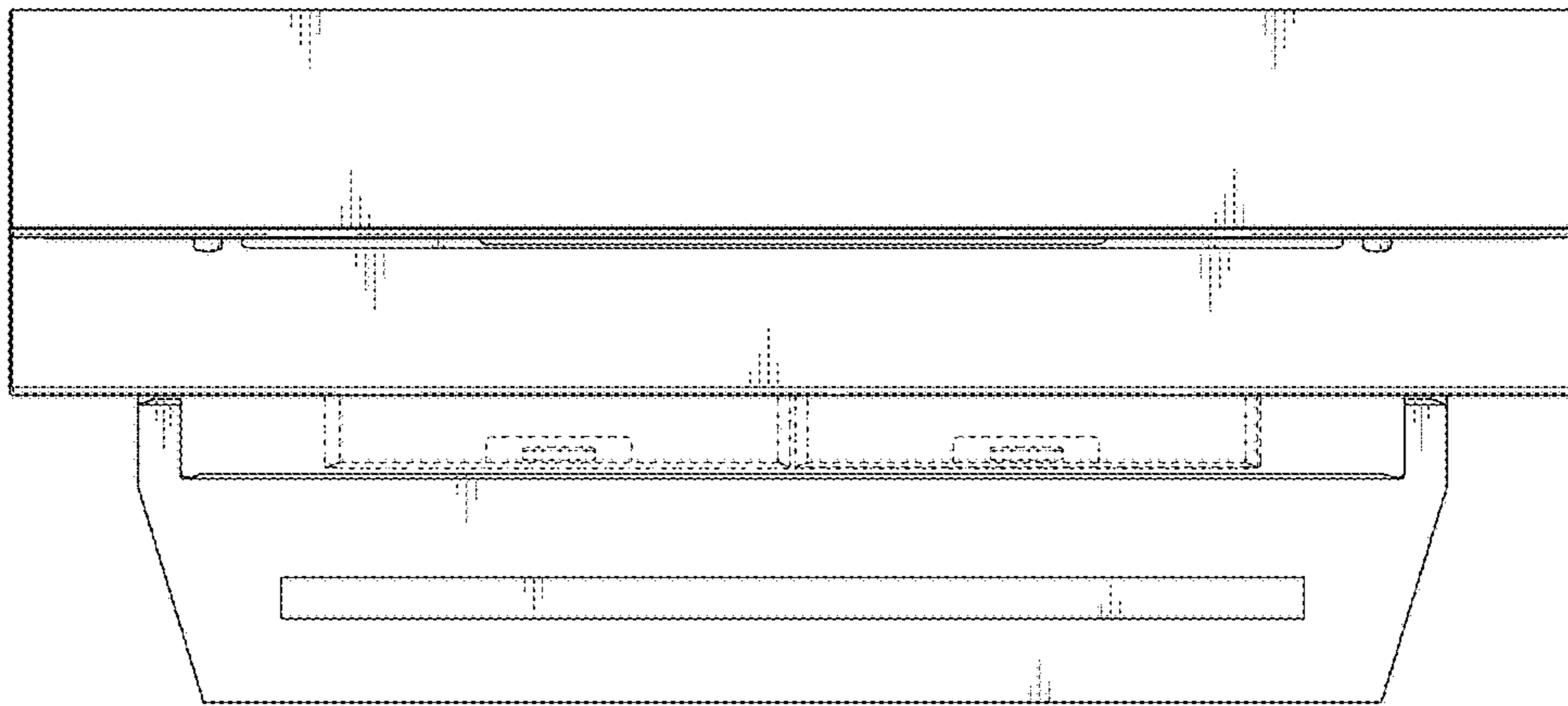


FIG. 8

