



US00D865146S

(12) **United States Design Patent** (10) **Patent No.:** **US D865,146 S**
Meng (45) **Date of Patent:** **** Oct. 29, 2019**

(54) **TURBO HEATER**

(56) **References Cited**

(71) Applicants: **GD MIDEA ENVIRONMENT APPLIANCES MFG CO., LTD.,**
Zhongshan (CN); **MIDEA GROUP CO., LTD.,** Foshan (CN)

U.S. PATENT DOCUMENTS

D167,903 S	*	10/1952	Lautner	D23/336
D324,907 S	*	3/1992	Cook	D23/328
D334,618 S	*	4/1993	Gilderleeve	D23/328
D384,733 S	*	10/1997	Jane	D23/328
D422,067 S	*	3/2000	Lee	D23/336
D467,326 S	*	12/2002	Shapiro	D23/336
D621,025 S	*	8/2010	Peterson	D23/382
D621,026 S	*	8/2010	Peterson	D23/382
D688,781 S	*	8/2013	Vallinan	D23/355
D760,370 S	*	6/2016	Herbst	D23/370

(72) Inventor: **Yilang Meng**, Foshan (CN)

(**) Term: **15 Years**

(21) Appl. No.: **29/698,564**

(22) Filed: **Jul. 18, 2019**

* cited by examiner

Related U.S. Application Data

(62) Division of application No. 29/646,218, filed on May 2, 2018.

Primary Examiner — T Chase Nelson

Assistant Examiner — Ania Aman

(74) *Attorney, Agent, or Firm* — Kilpatrick Townsend & Stockton, LLP

(30) **Foreign Application Priority Data**

Jan. 13, 2018 (CN) 2018 3 0015906

(51) **LOC (12) Cl.** **23-03**

(52) **U.S. Cl.**
USPC **D23/335**

(58) **Field of Classification Search**
USPC D23/314, 317, 318, 324, 325, 327, 329,
D23/332, 333, 334, 335, 336, 337, 338,
D23/339, 340, 341, 342, 351, 355, 356,
D23/359, 360, 364, 366
CPC F24F 6/00; F24F 2006/008; F24F 6/02;
F24F 6/12; F24F 5/0035; F24H 9/2071;
F24H 9/0052; F24H 9/02; F24H 3/006;
F24H 3/002; F24H 3/00; F24H 3/02;
F24H 3/022; F24H 3/0411; F24H 3/0417;
F24D 19/06

See application file for complete search history.

(57) **CLAIM**

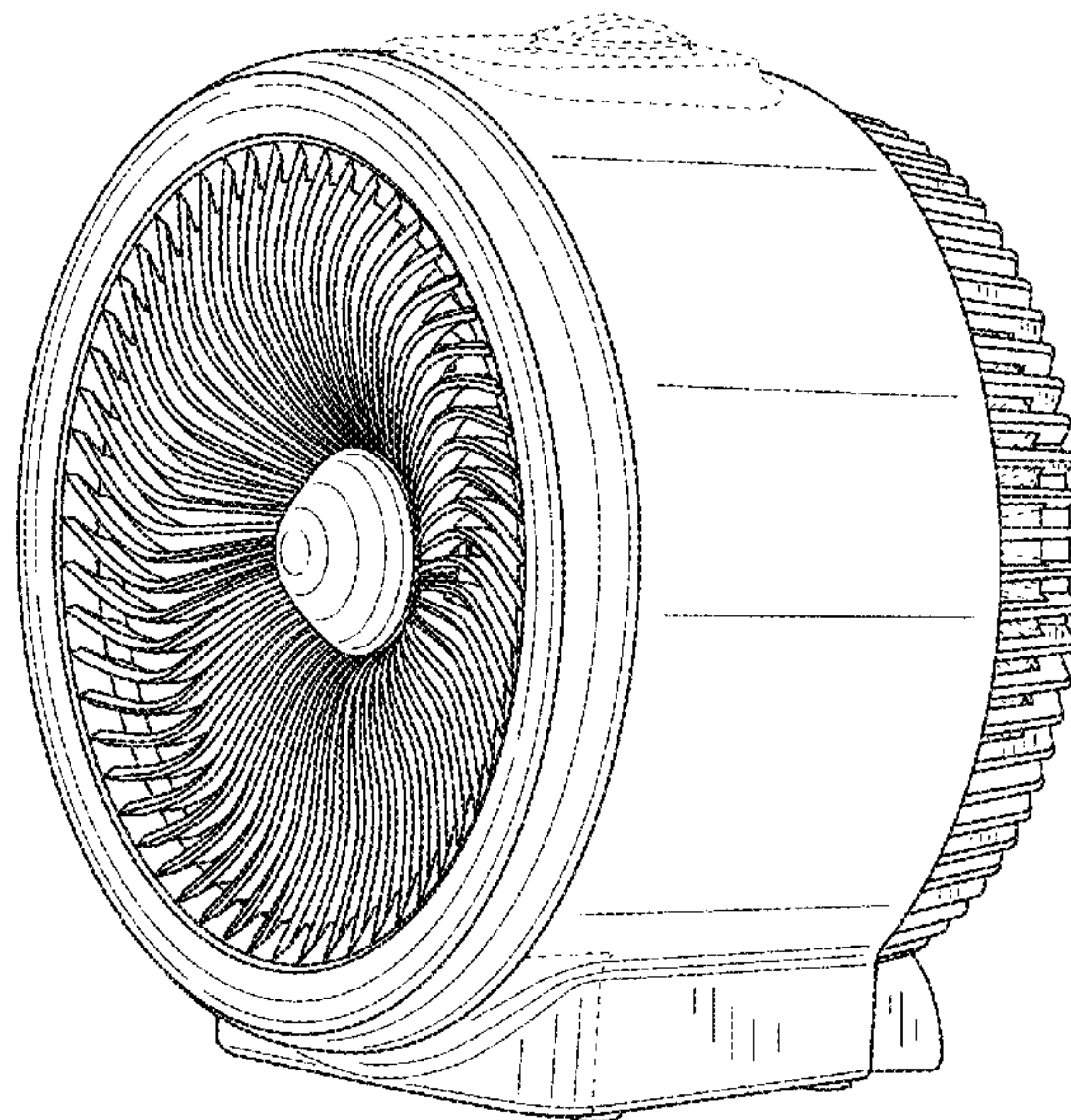
The ornamental design for a turbo heater, as shown and described.

DESCRIPTION

FIG. 1 is a perspective view of turbo heater, showing our new design;
FIG. 2 is a front view thereof;
FIG. 3 is a back view thereof;
FIG. 4 is a right side view thereof;
FIG. 5 is a left side view thereof;
FIG. 6 is a top view thereof; and,
FIG. 7 is a bottom view thereof.

The broken lines in the figures are presented for the purpose of illustrating various portions of the turbo heater, and form no part of the claimed design.

1 Claim, 7 Drawing Sheets



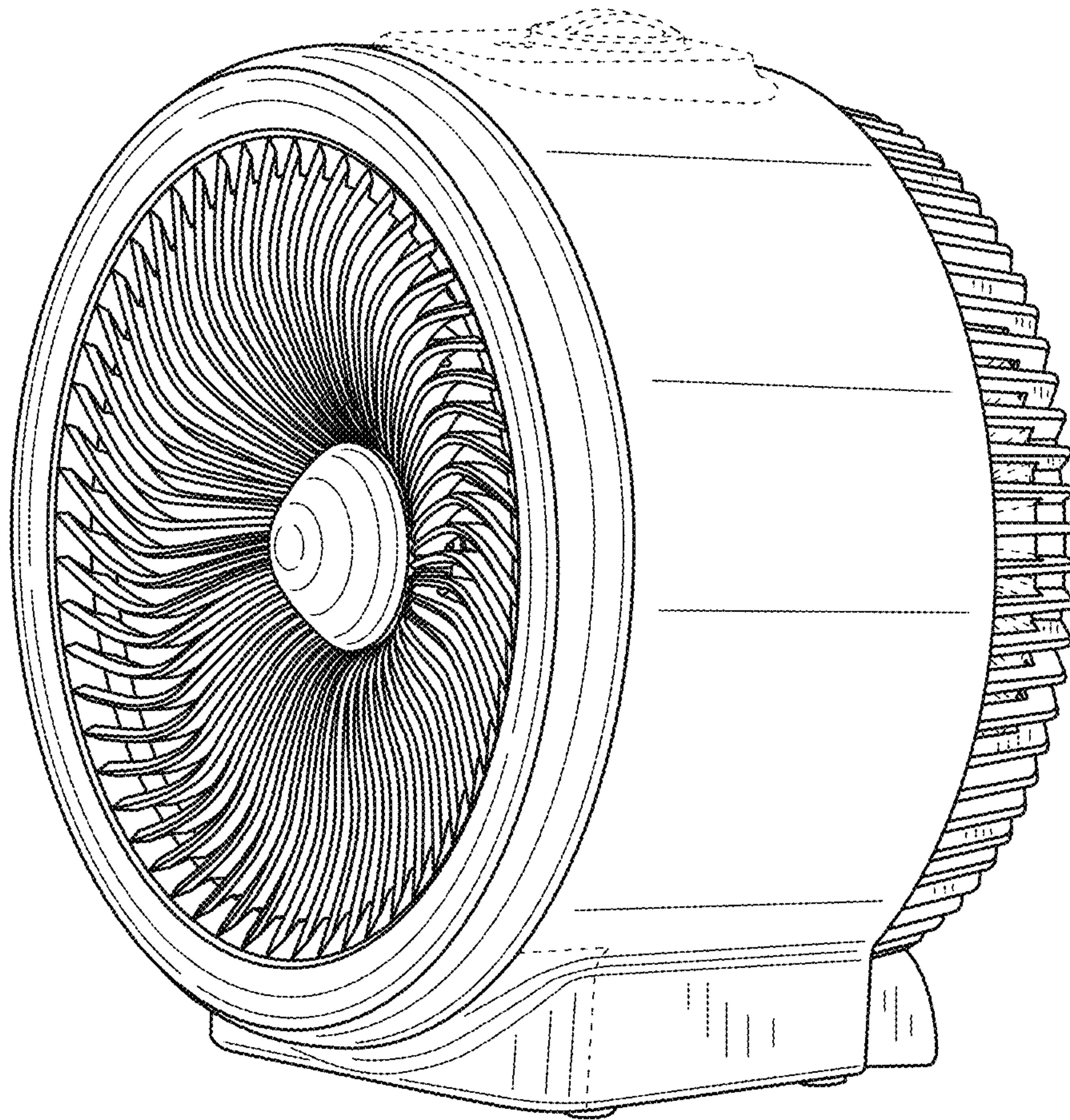


FIG.1

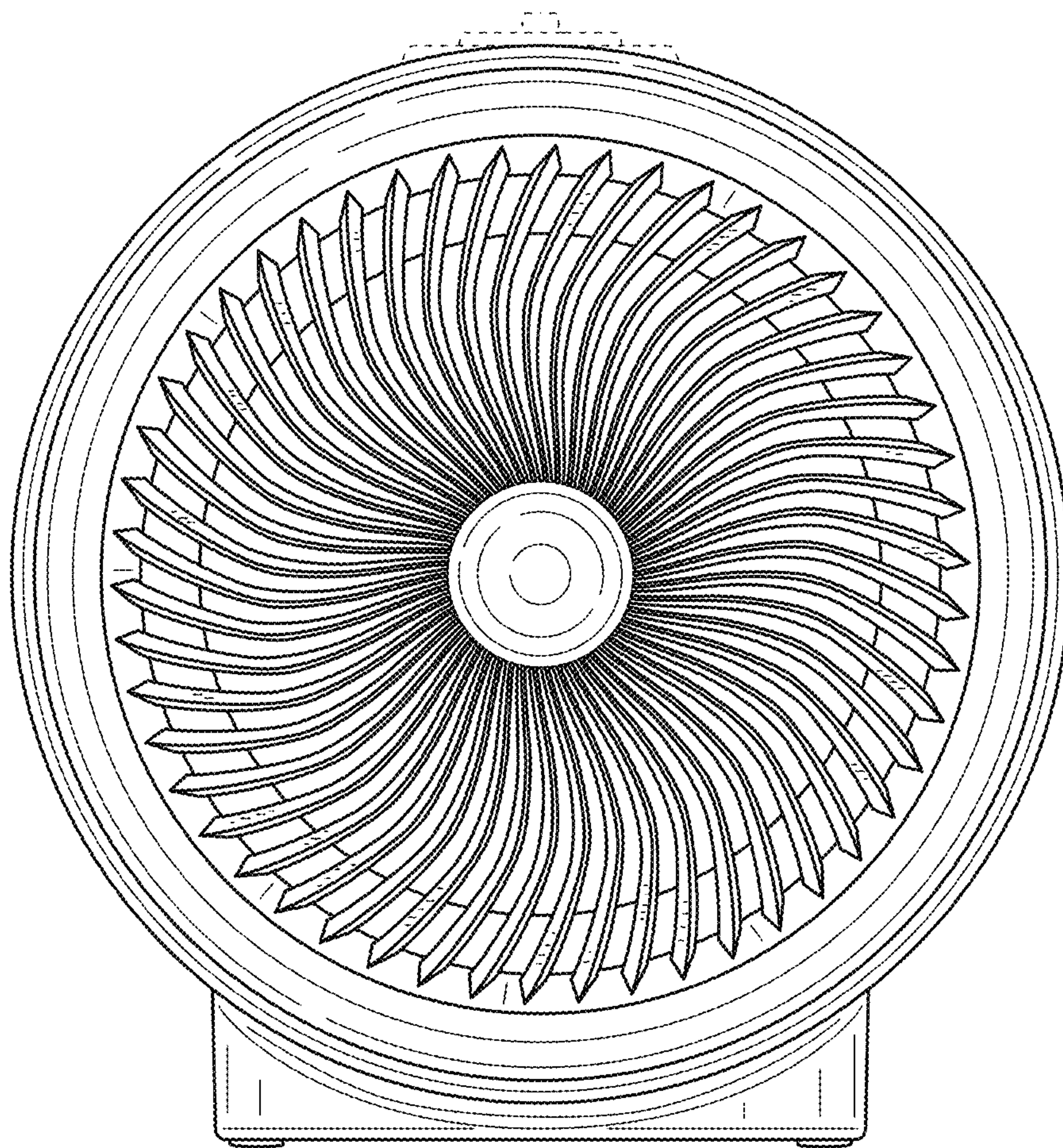


FIG. 2

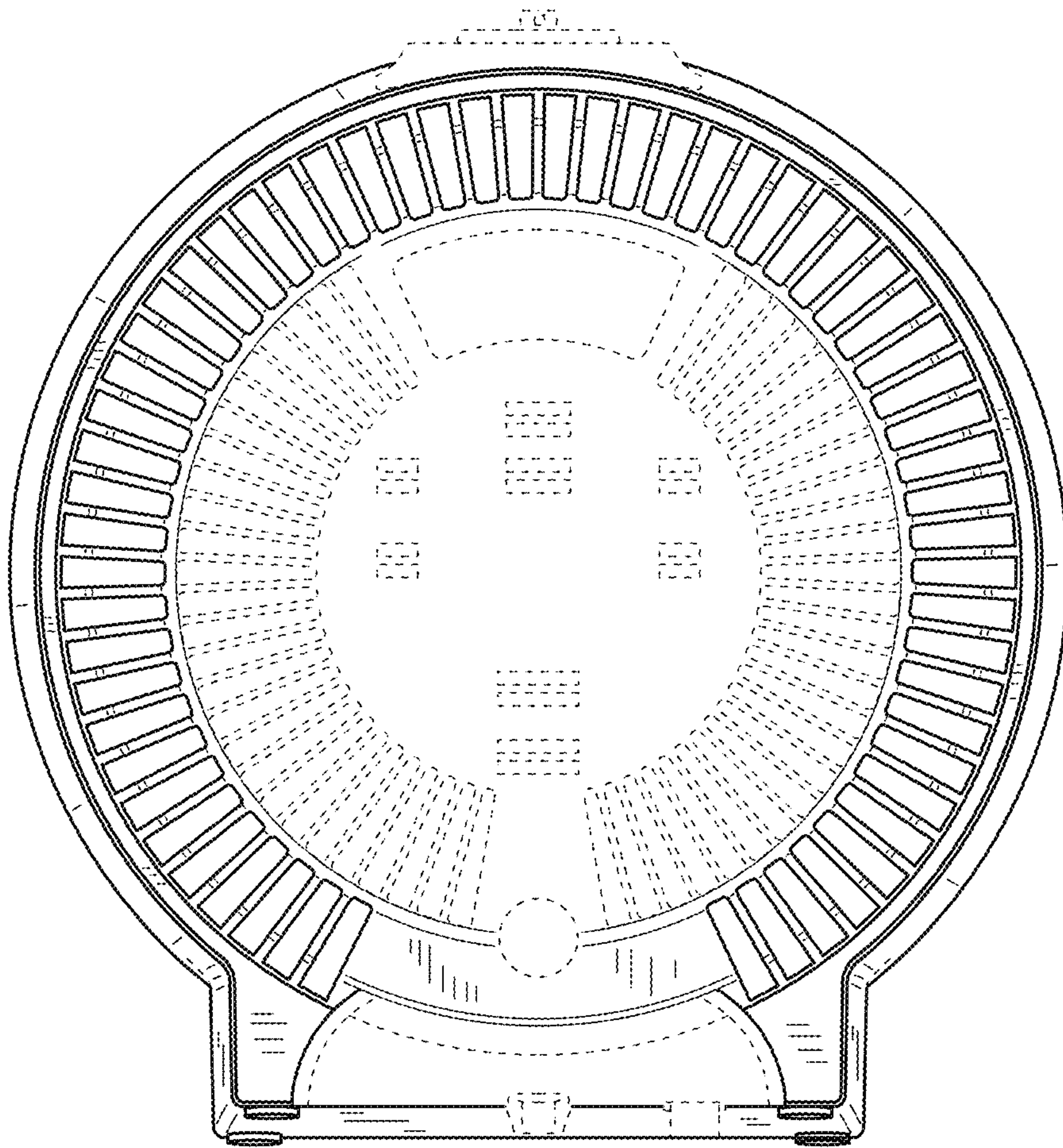


FIG.3

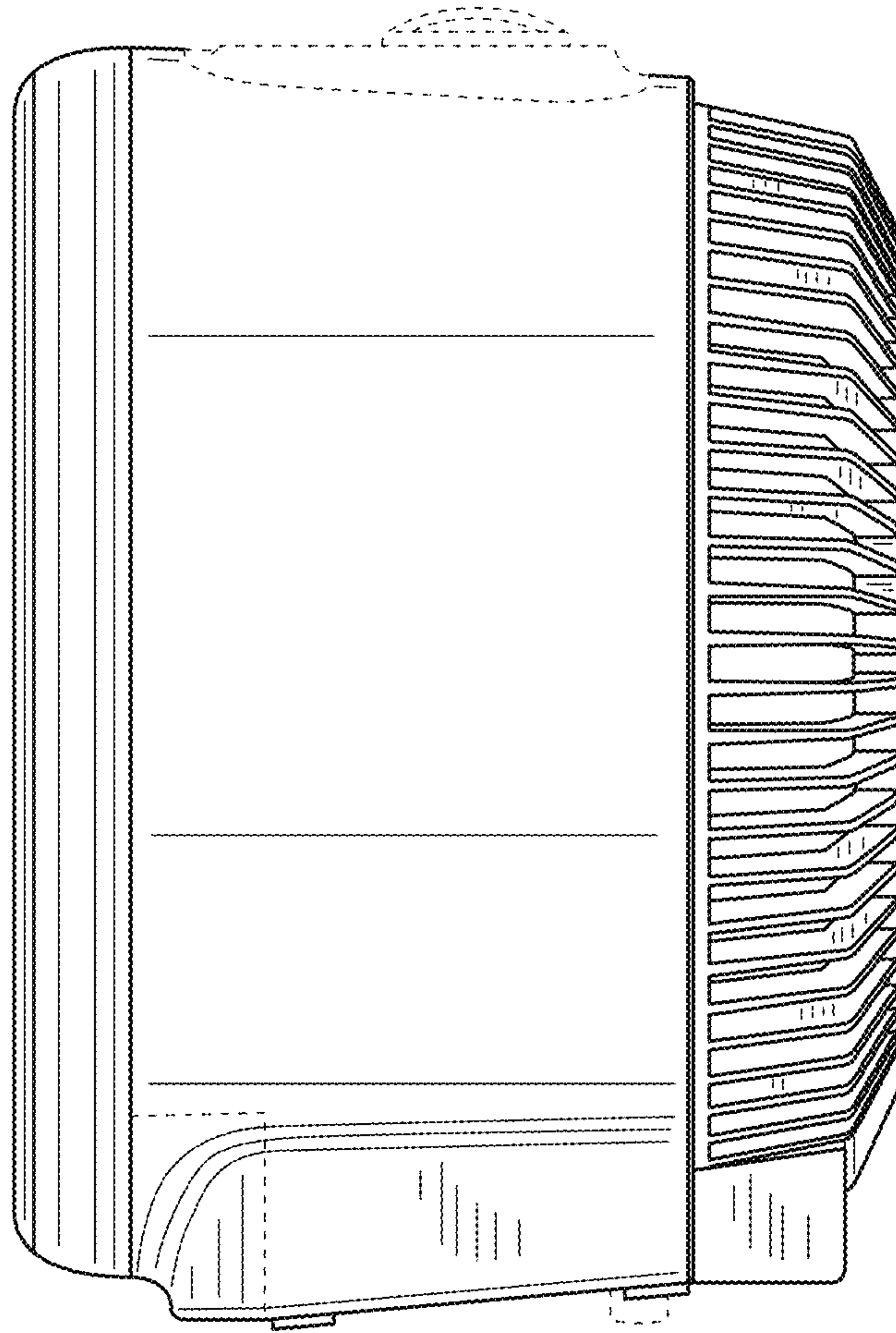


FIG.4

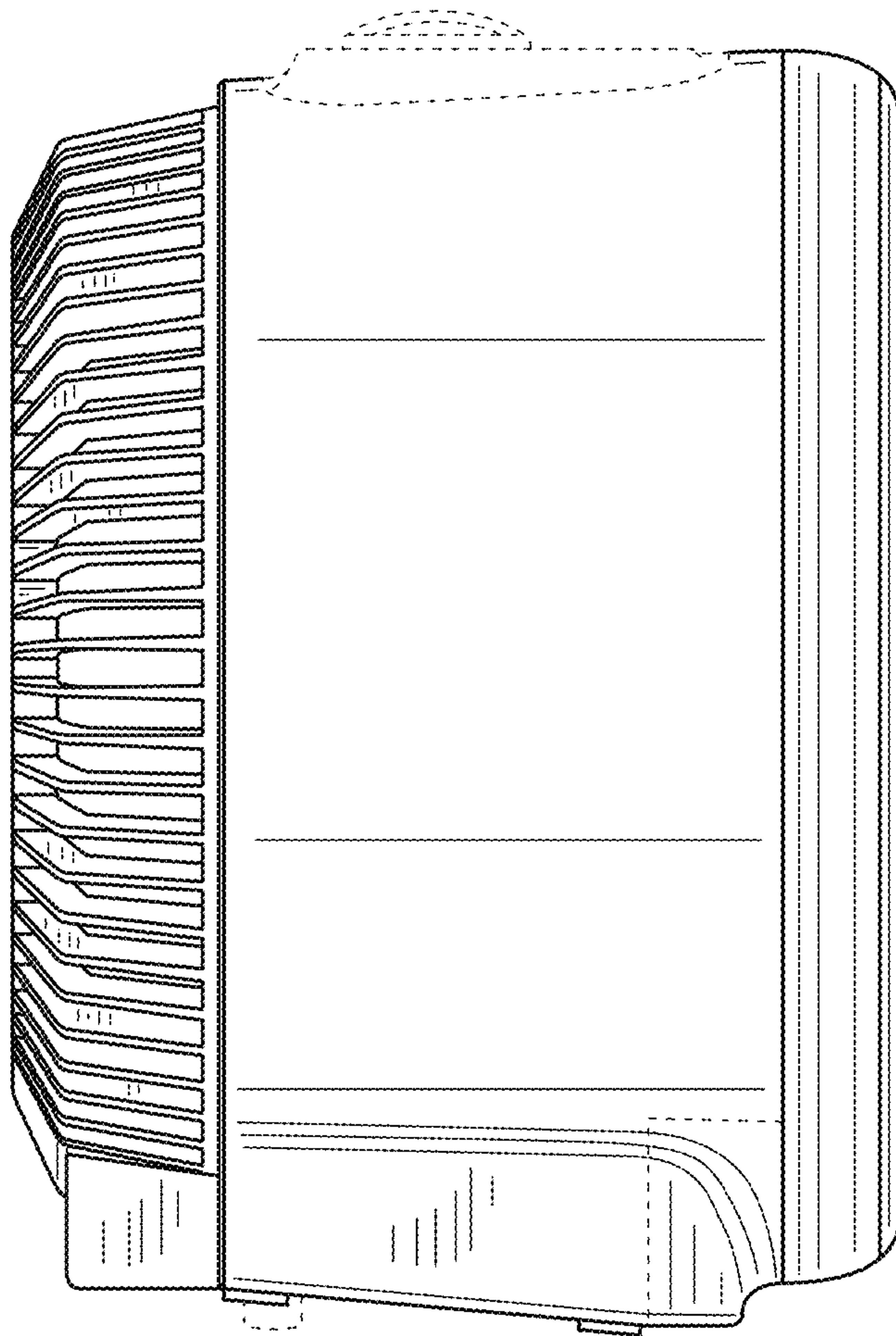


FIG. 5

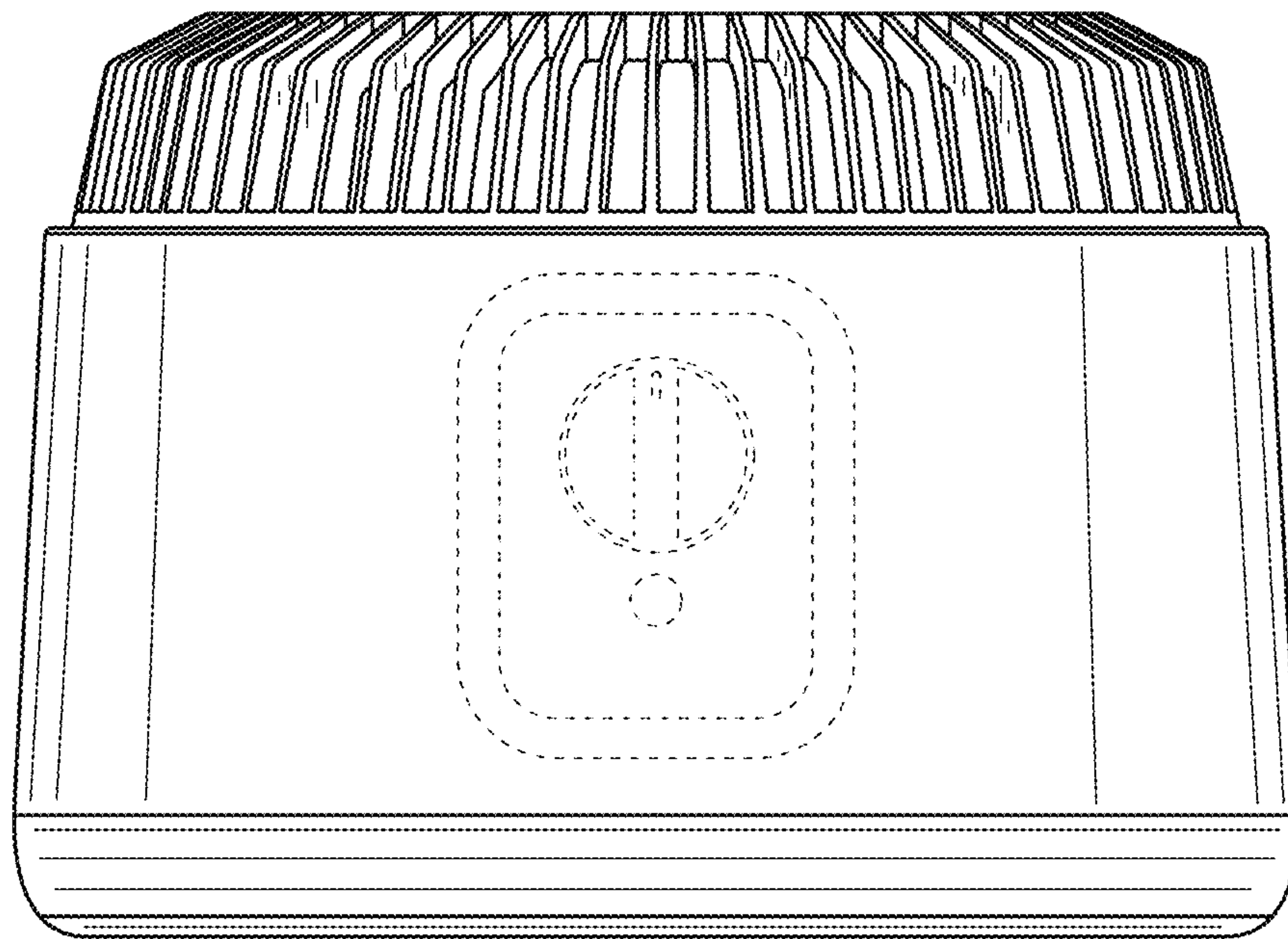


FIG.6

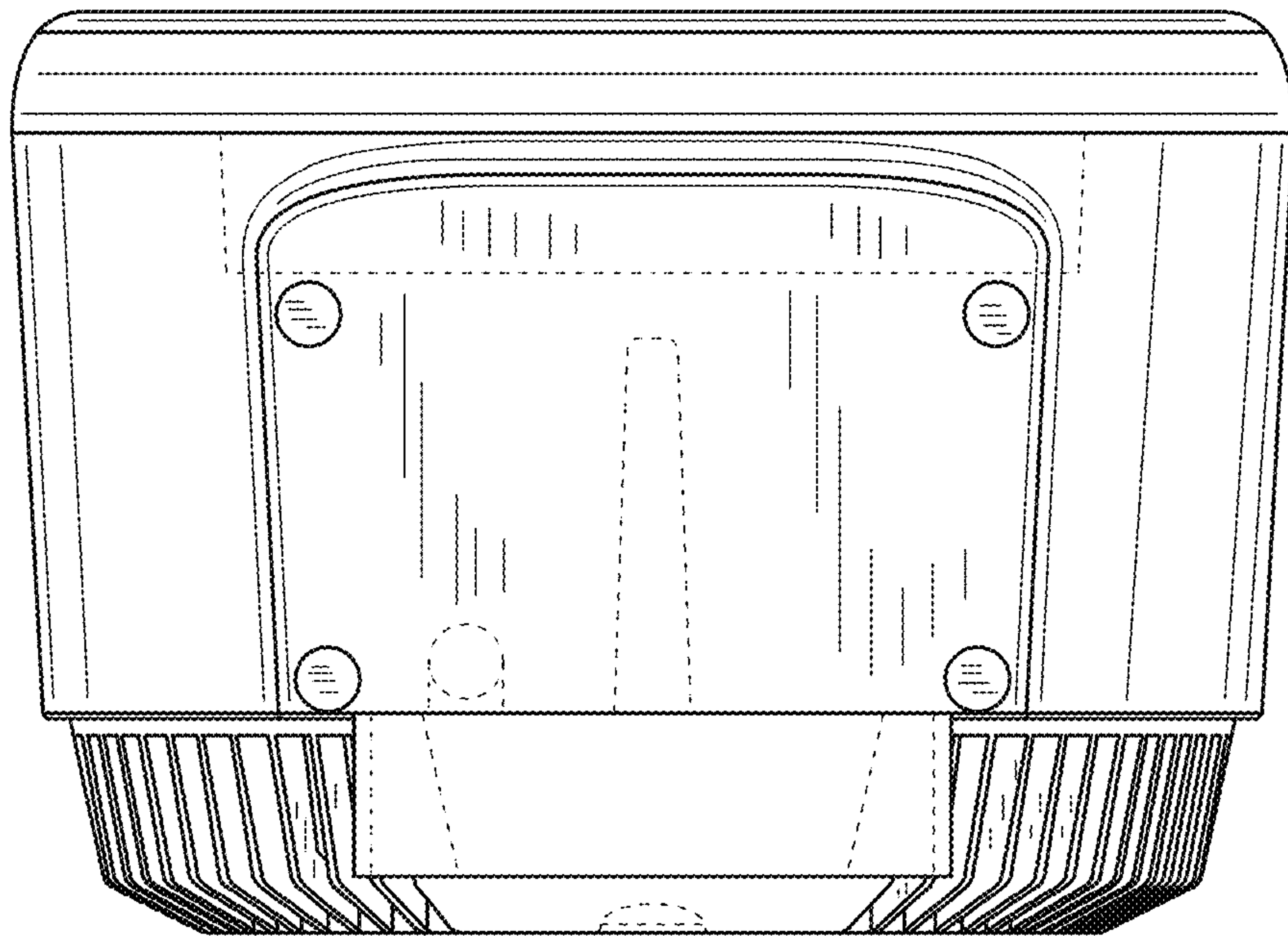


FIG.7