



US00D865145S

(12) **United States Design Patent** (10) **Patent No.:** **US D865,145 S**  
**Yoo et al.** (45) **Date of Patent:** **\*\* Oct. 29, 2019**

(54) **AIR CONDITIONER**  
(71) Applicant: **SAMSUNG ELECTRONICS CO., LTD.**, Suwon-si, Gyeonggi-do (KR)  
(72) Inventors: **Su-Hyun Yoo**, Gyeonggi-do (KR); **Jin-Sun Park**, Gyeonggi-Do (KR); **Min-Kyung Choi**, Seoul (KR)  
(73) Assignee: **SAMSUNG ELECTRONICS CO., LTD.**, Gyeonggi-Do (KR)

D516,687 S \* 3/2006 Shapiro ..... D23/332  
D517,190 S \* 3/2006 Wang ..... D23/378  
D528,650 S \* 9/2006 Shapiro ..... D23/411  
D545,951 S \* 7/2007 Bucher ..... D23/335  
D683,005 S \* 5/2013 Park ..... D23/351  
D684,246 S \* 6/2013 Hong ..... D23/354  
D778,416 S \* 2/2017 Bu ..... D23/351  
D799,653 S \* 10/2017 Jun ..... D23/351  
D809,119 S \* 1/2018 Ho ..... D23/378  
D814,000 S \* 3/2018 Qiao ..... D23/333

(Continued)

(\*\*) Term: **15 Years**  
(21) Appl. No.: **29/649,632**  
(22) Filed: **May 31, 2018**

**FOREIGN PATENT DOCUMENTS**

CN 303998218 S 1/2017  
KR 300806559 7/2015  
KR 300806561 7/2015

(Continued)

*Primary Examiner* — Natasha Vujcic

(74) *Attorney, Agent, or Firm* — Cantor Colburn LLP

(30) **Foreign Application Priority Data**

Dec. 8, 2017 (KR) ..... 30-2017-0058116

(51) **LOC (12) Cl.** ..... **23-04**  
(52) **U.S. Cl.**  
USPC ..... **D23/333**

(57) **CLAIM**

The ornamental design for an air conditioner, as shown and described.

(58) **Field of Classification Search**  
USPC ..... D23/333, 335, 341, 342, 351, 353, 354, D23/355, 356, 359, 364, 365, 370, 385, D23/386, 388, 393  
CPC .... F24F 1/00; F24F 1/0007; F24F 1/02; F24F 1/08; F24F 1/42; F24F 1/56; F24F 1/60; F24F 3/044; F24F 3/048; F24F 3/16; F24F 7/00; F24F 7/04; F24F 12/001; F24F 12/006  
See application file for complete search history.

**DESCRIPTION**

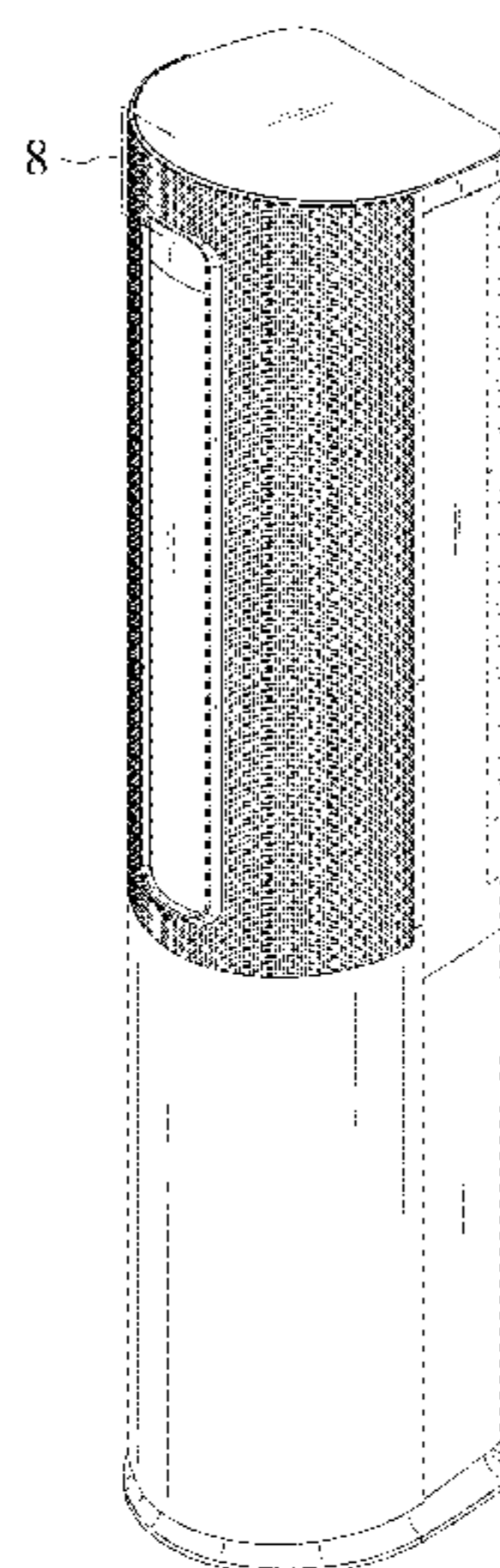
FIG. 1 is a perspective view of an air conditioner, showing our design;  
FIG. 2 is a front view thereof;  
FIG. 3 is a rear view thereof;  
FIG. 4 is a side view thereof;  
FIG. 5 is another side view thereof;  
FIG. 6 is a top view thereof;  
FIG. 7 is a bottom view thereof; and,  
FIG. 8 is an enlarged view of the encircled 8 in FIG. 1.  
The broken lines illustrating portions of the air conditioner form no part of the claimed design. The dot-dash broken lines encircling portions of the claimed design that are illustrated in enlargements form no part of the claimed design.

(56) **References Cited**

**U.S. PATENT DOCUMENTS**

D389,567 S \* 1/1998 Gudfin ..... D23/370  
D423,093 S \* 4/2000 Fok ..... D23/370  
D468,414 S \* 1/2003 Fok ..... D23/328  
D479,743 S \* 9/2003 Fok ..... D23/378

**1 Claim, 8 Drawing Sheets**



(56)

**References Cited**

U.S. PATENT DOCUMENTS

D825,045 S \* 8/2018 Yi ..... D23/351  
D829,319 S \* 9/2018 Chen ..... D23/378

FOREIGN PATENT DOCUMENTS

KR 300849758 4/2016  
KR 300855708 5/2016

\* cited by examiner

FIG. 1

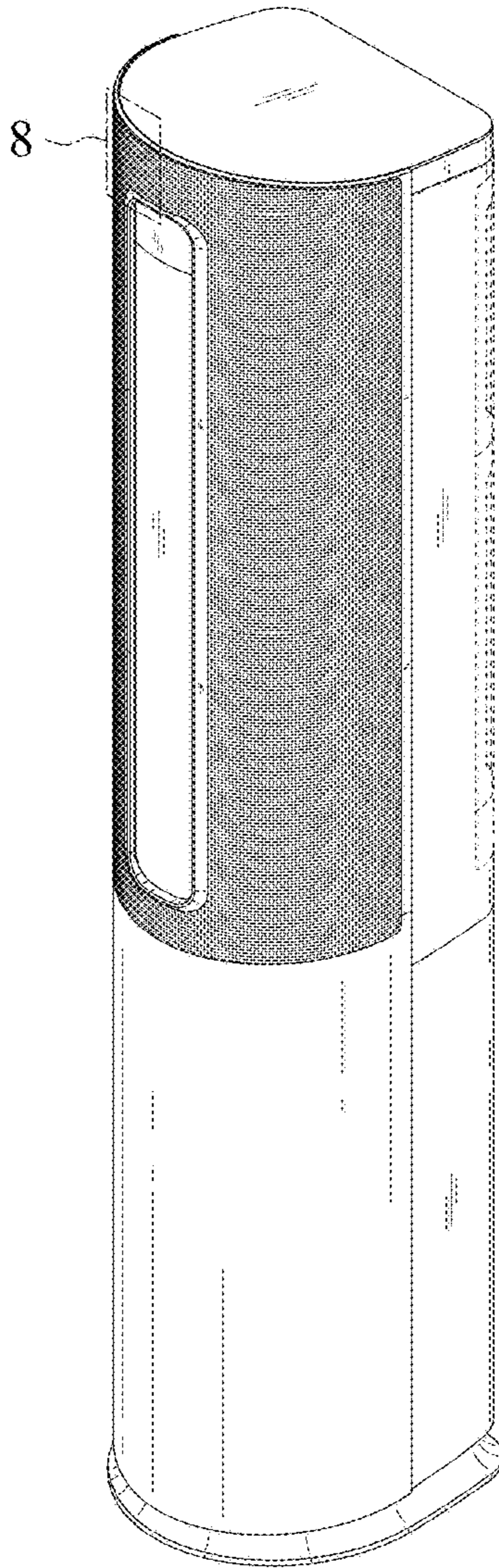


FIG. 2

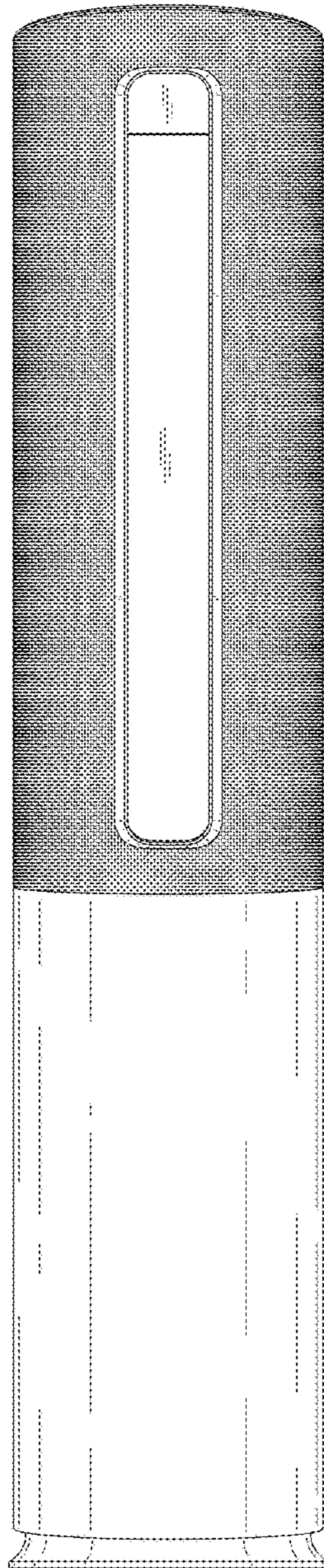


FIG. 3

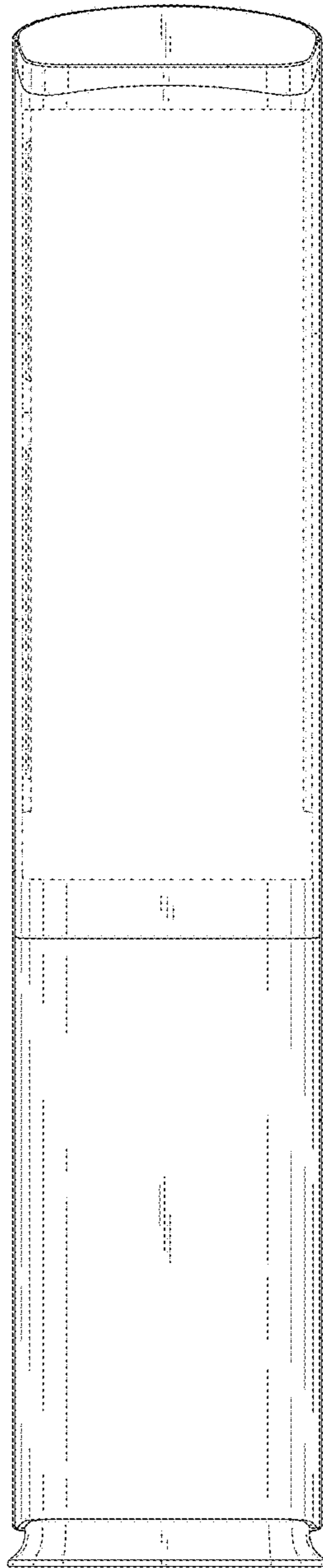


FIG. 4

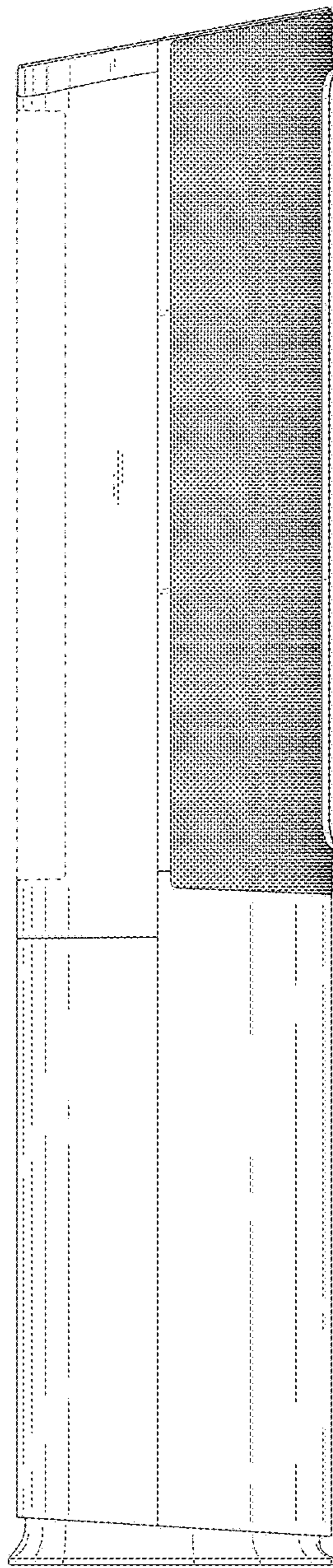


FIG. 5

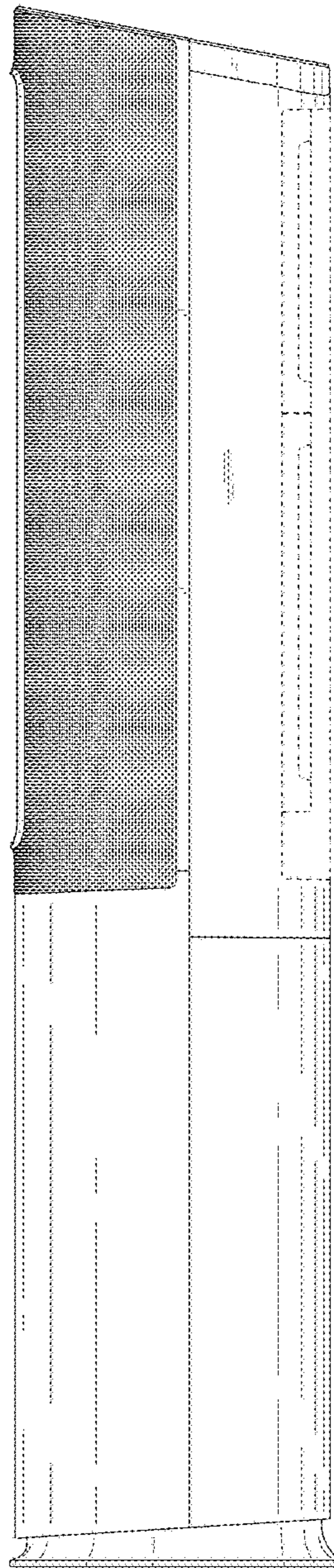


FIG. 6

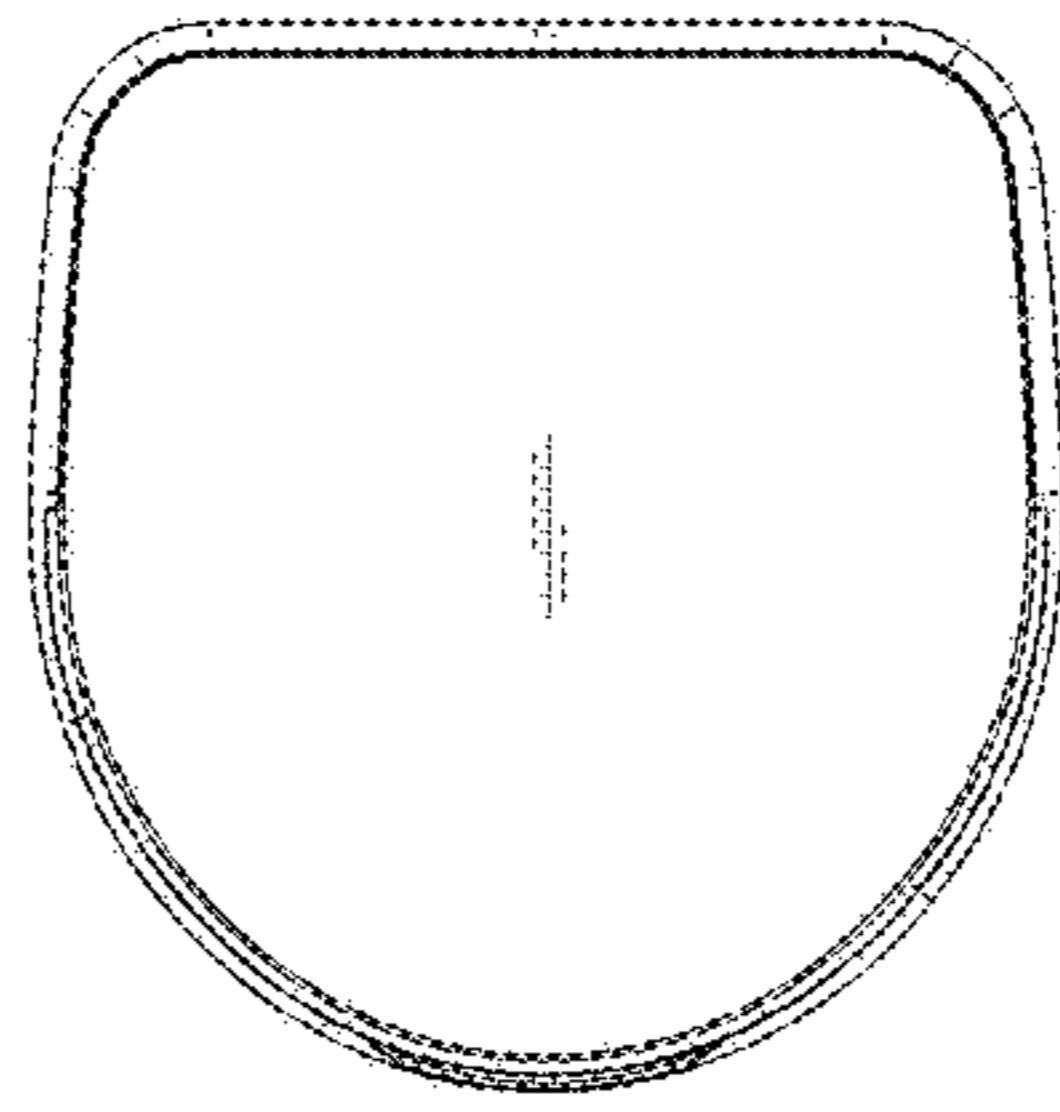




FIG. 7

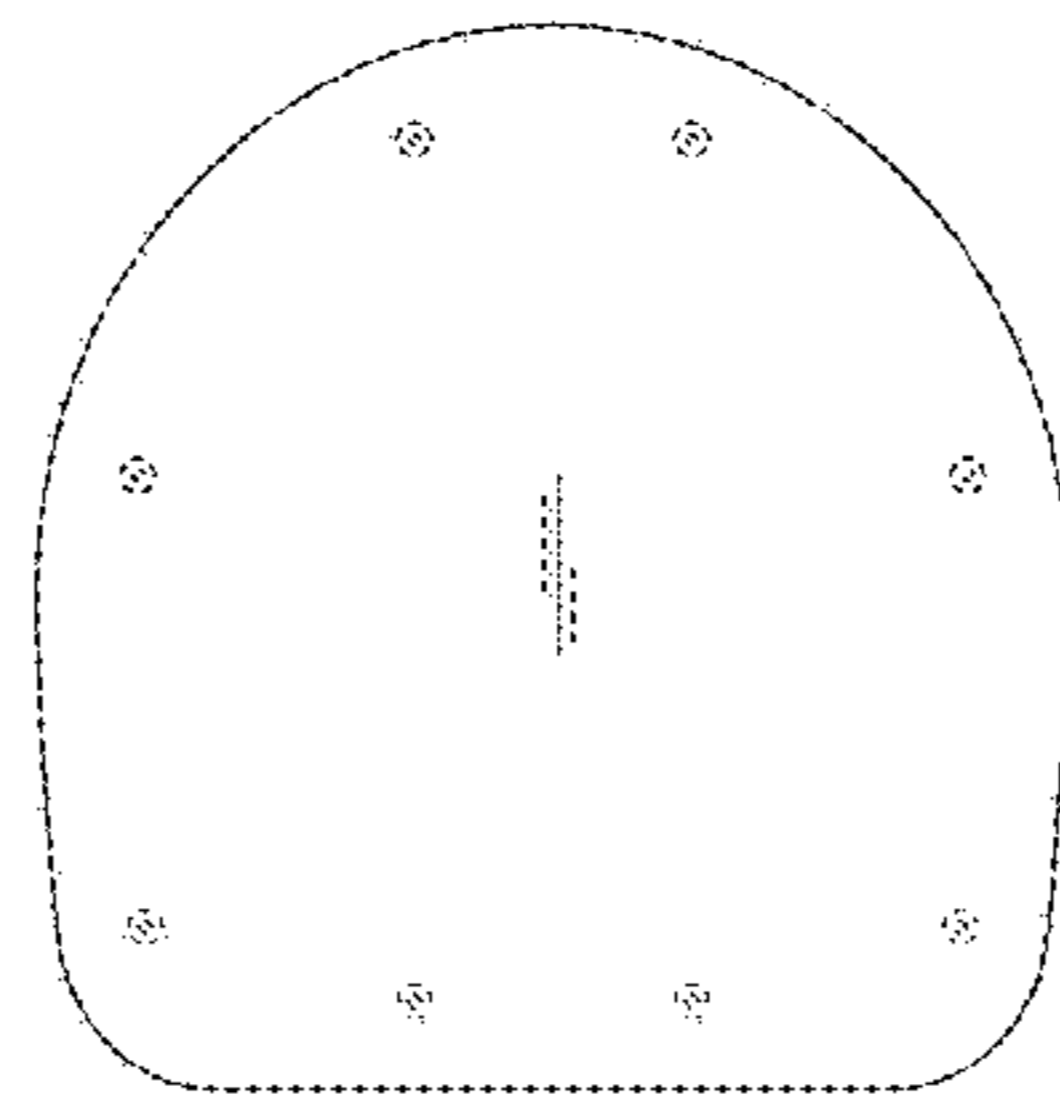


FIG. 8

