

US00D865144S

(12) **United States Design Patent** (10) **Patent No.:** **US D865,144 S**
Yoo et al. (45) **Date of Patent:** **** Oct. 29, 2019**

(54) **AIR CONDITIONER**
(71) Applicant: **SAMSUNG ELECTRONICS CO., LTD.**, Suwon-si (KR)
(72) Inventors: **Su-Hyun Yoo**, Goyang-si (KR);
Jin-Sun Park, Hannam-si (KR);
Min-Kyung Choi, Seoul (KR)
(73) Assignee: **SAMSUNG ELECTRONICS CO., LTD.**, Gyeonggi-Do (KR)

D516,687 S * 3/2006 Shapiro D23/332
D517,190 S * 3/2006 Wang D23/378
D528,650 S * 9/2006 Shapiro D23/411
D545,951 S * 7/2007 Bucher D23/335
D683,005 S * 5/2013 Park D23/351
D684,246 S * 6/2013 Hong D23/354
D778,416 S * 2/2017 Bu D23/351
D799,653 S * 10/2017 Jun D23/351
D809,119 S * 1/2018 Ho D23/378
(Continued)

(**) Term: **15 Years**

CN 303998218 S 1/2017
KR 300806559 7/2015

(21) Appl. No.: **29/648,575**

(Continued)

(22) Filed: **May 22, 2018**

Primary Examiner — Natasha Vujcic
(74) *Attorney, Agent, or Firm* — Cantor Colburn LLP

(30) **Foreign Application Priority Data**

(57) **CLAIM**

Dec. 8, 2017 (KR) 30-2017-0058111

The ornamental design for an air conditioner, as shown and described.

(51) **LOC (12) Cl.** **23-04**

(52) **U.S. Cl.**
USPC **D23/333**

DESCRIPTION

(58) **Field of Classification Search**
USPC D23/333, 335, 341, 342, 351, 353, 354,
D23/355, 356, 359, 364, 365, 370, 385,
D23/386, 388, 393
CPC F24F 1/00; F24F 1/0007; F24F 1/02; F24F
1/08; F24F 1/42; F24F 1/56; F24F 1/60;
F24F 3/044; F24F 3/048; F24F 3/16;
F24F 7/00; F24F 7/04; F24F 12/001;
F24F 12/006
See application file for complete search history.

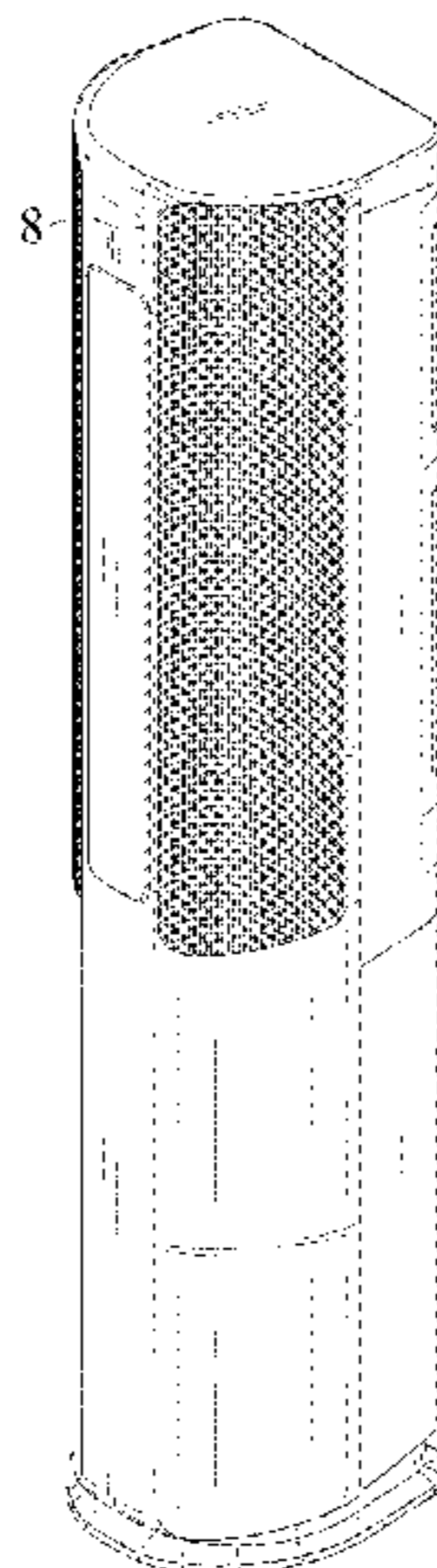
FIG. 1 is a front perspective view of an air conditioner, showing our new design;
FIG. 2 is a front view thereof;
FIG. 3 is a rear view thereof;
FIG. 4 is a left-side view thereof;
FIG. 5 is a right-side view thereof;
FIG. 6 is a top view thereof; and
FIG. 7 is a bottom view thereof.
FIG. 8 is an enlarged view of the portion 8 in FIG. 1;
FIG. 9 is another front perspective view thereof in an open position; and,
FIG. 10 is another front view thereof in the open position.
The even-dash broken lines illustrating portions of the air conditioner form no part of the claimed design. The dot-dash broken lines encircling enlargement portions of the claimed design form no part of the claimed design.

(56) **References Cited**

U.S. PATENT DOCUMENTS

D389,567 S * 1/1998 Gudfin D23/370
D423,093 S * 4/2000 Fok D23/370
D468,414 S * 1/2003 Fok D23/328
D479,743 S * 9/2003 Fok D23/378

1 Claim, 10 Drawing Sheets



(56)

References Cited

U.S. PATENT DOCUMENTS

D814,000 S * 3/2018 Qiao D23/333
D825,045 S * 8/2018 Yi D23/351
D829,319 S * 9/2018 Chen D23/378

FOREIGN PATENT DOCUMENTS

KR 300806561 7/2015
KR 300849758 4/2016
KR 300855708 5/2016

* cited by examiner

FIG. 1

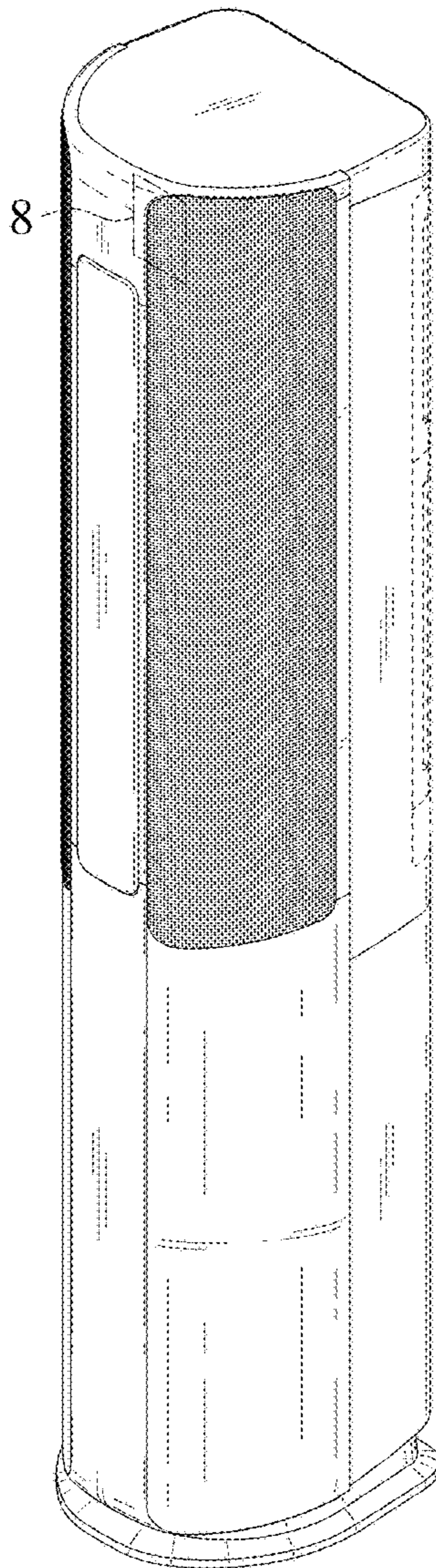


FIG. 2

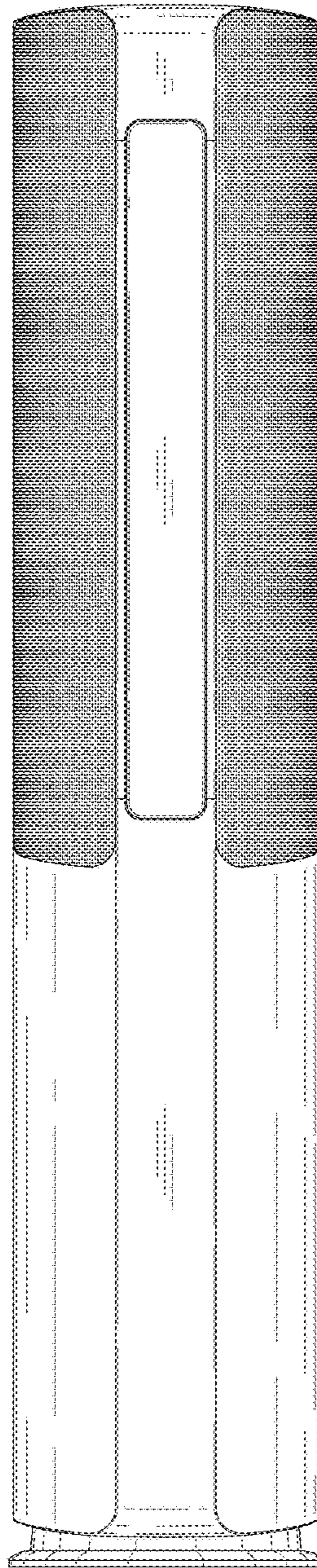


FIG. 3

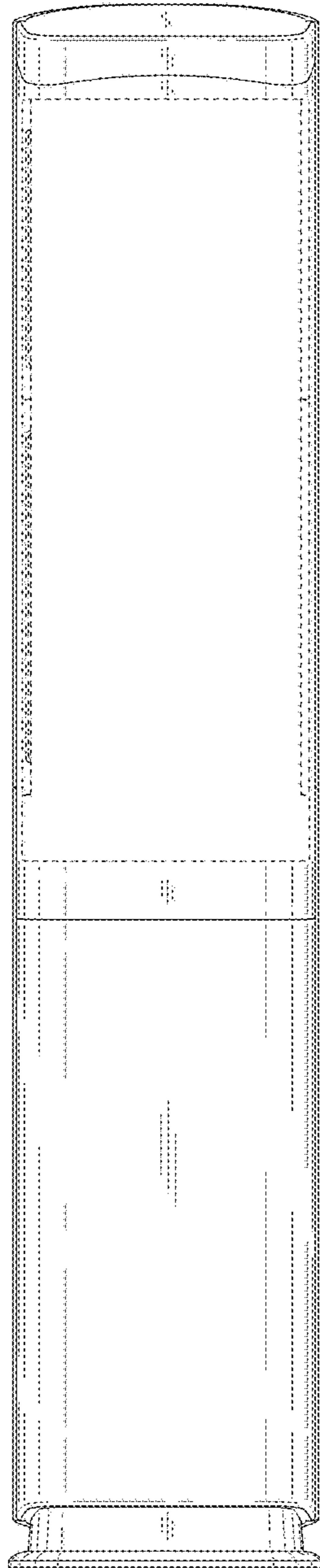


FIG. 4

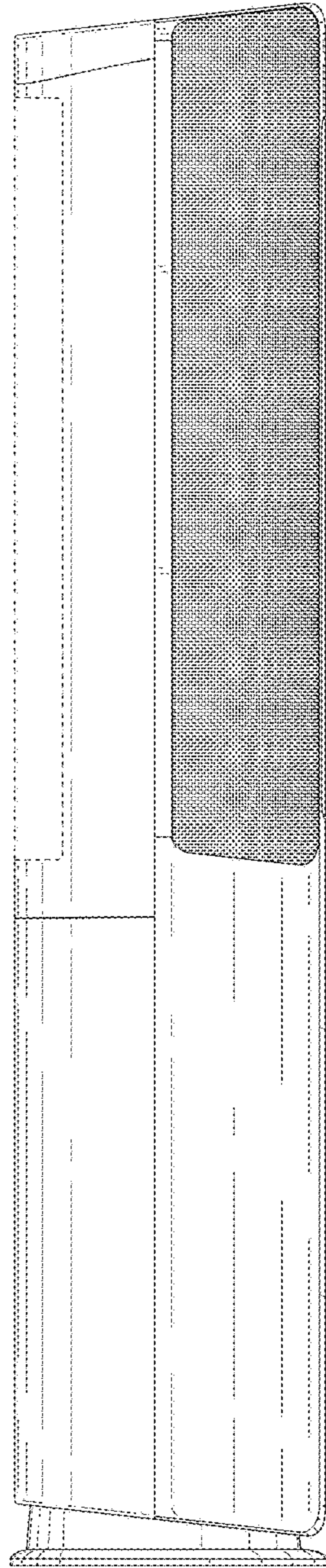


FIG. 5

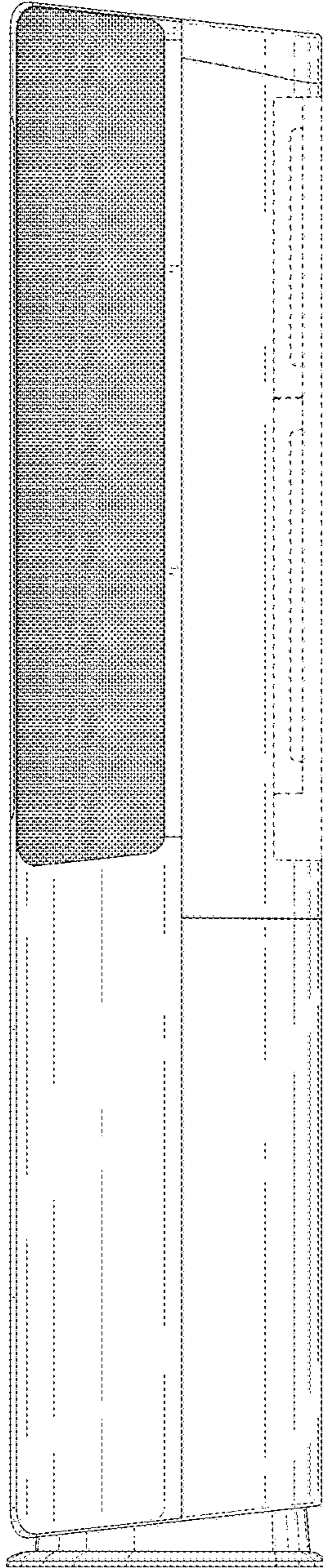


FIG. 6

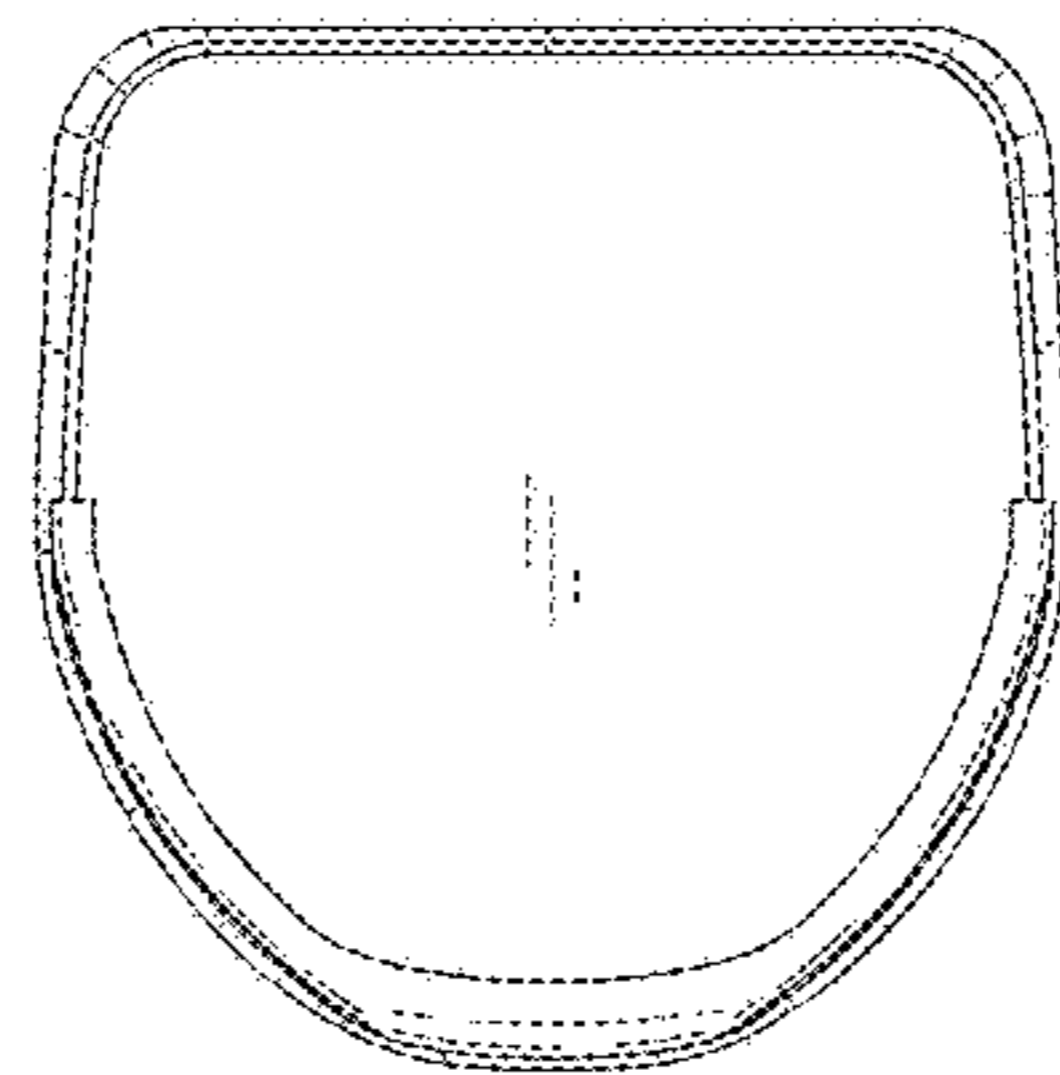


FIG. 7

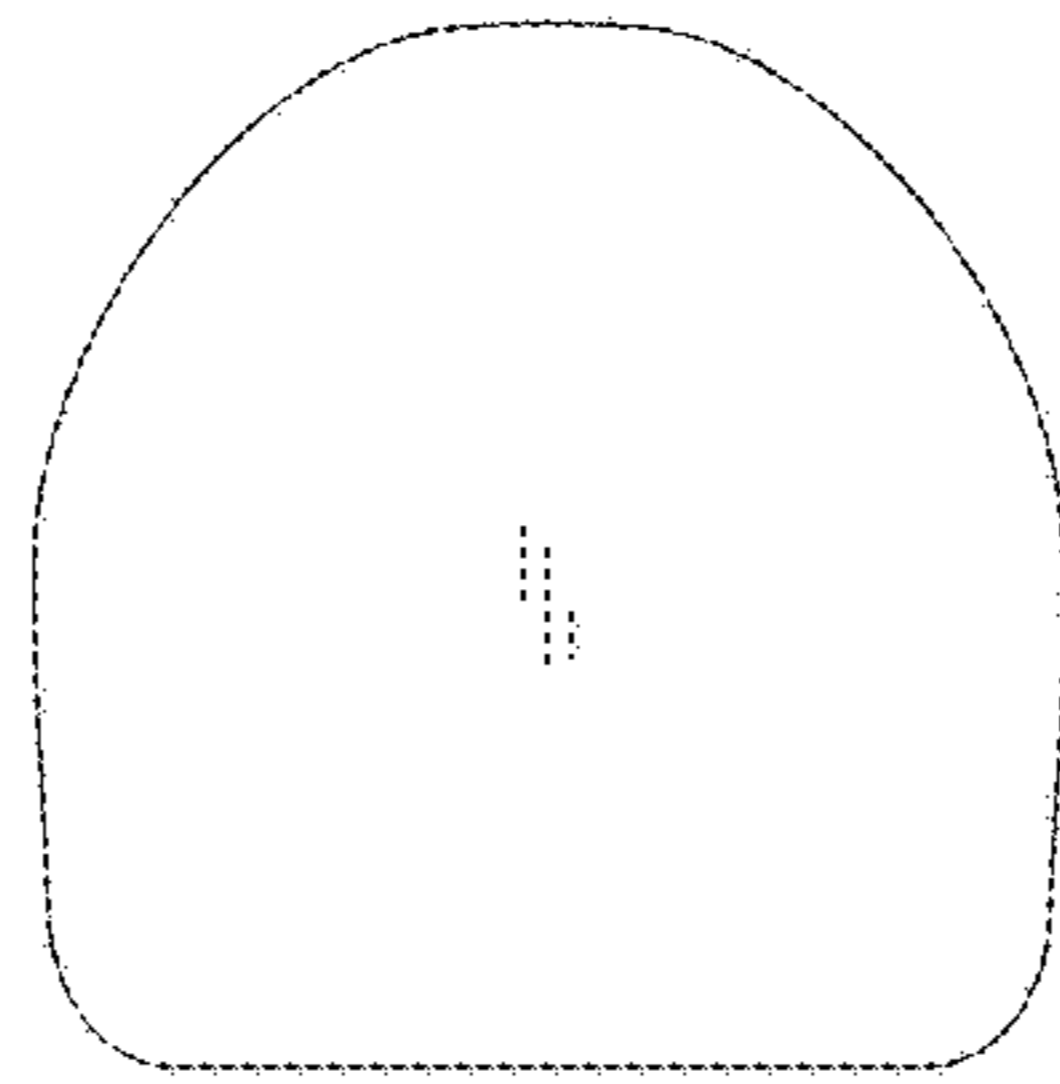


FIG. 8

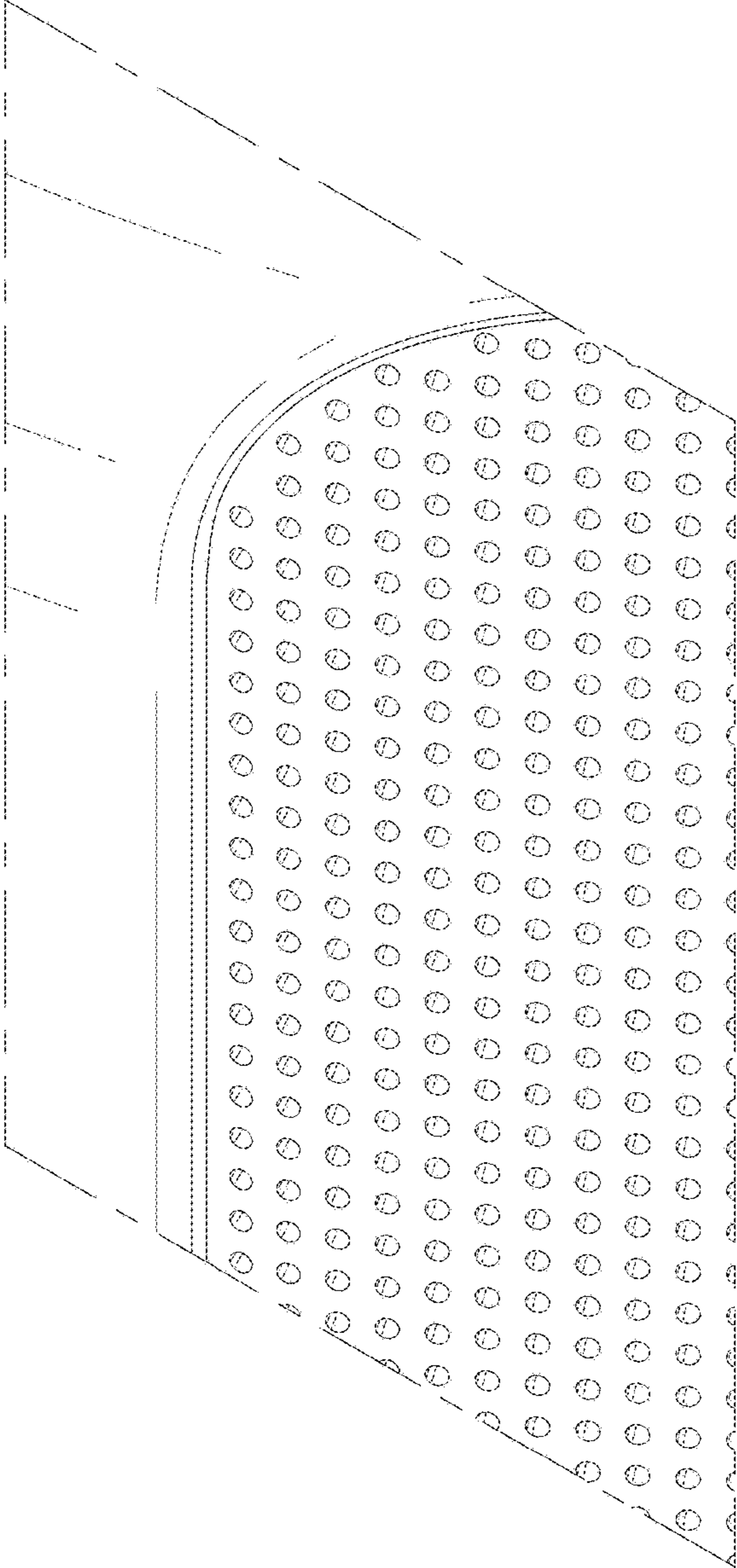


FIG. 9

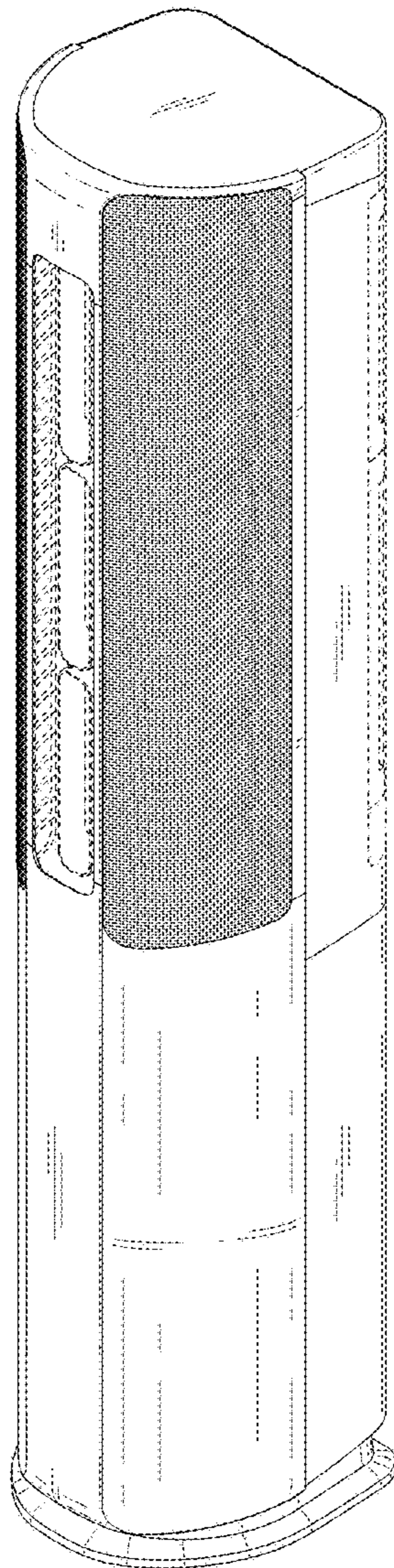


FIG. 10

