

US00D865140S

(12) **United States Design Patent**
Stone

(10) **Patent No.:** **US D865,140 S**

(45) **Date of Patent:** **** Oct. 29, 2019**

(54) **HEATER STAND**

(71) Applicant: **Thermofilm Australia Pty Ltd,**
Victoria (AU)

(72) Inventor: **Mark Stone,** Victoria (AU)

(73) Assignee: **Thermofilm Australia Pty Ltd,**
Dandenong South, Victoria (AU)

(**) Term: **15 Years**

(21) Appl. No.: **29/585,315**

(22) Filed: **Nov. 22, 2016**

(30) **Foreign Application Priority Data**

May 25, 2016 (AU) 201612792

(51) **LOC (12) Cl.** **23-03**

(52) **U.S. Cl.**
USPC **D23/322**

(58) **Field of Classification Search**
USPC D23/317, 314, 323, 328, 332, 333, 334,
D23/335, 336, 337, 341, 342, 351, 353,
D23/354, 355, 357, 361, 364, 378, 370,
D23/381, 385, 386, 417; D14/204, 209.1,
D14/211, 214

CPC ... F24H 3/002; F24H 3/00; F24H 3/02; F24H
3/0417; F24H 3/0411; F24H 3/087; F24H
3/08

See application file for complete search history.

(56) **References Cited**

U.S. PATENT DOCUMENTS

D391,962 S * 3/1998 Borys D14/214
D410,282 S * 5/1999 Gutmann D23/364

D585,875 S * 2/2009 Matsuoka D14/211
D597,528 S * 8/2009 Kira D14/211
D603,030 S * 10/2009 Pleuger D23/317
D656,485 S * 3/2012 Lee D14/211
D681,007 S * 4/2013 Ryu D14/211
D687,811 S * 8/2013 Lee D14/211
D722,149 S * 2/2015 Perez D23/355
D736,362 S * 8/2015 Shapiro D23/332
D736,739 S * 8/2015 Son D14/204
D766,211 S * 9/2016 Choi D14/211
D815,264 S * 4/2018 Park D23/351
2017/0284701 A1* 10/2017 Wang F24H 3/002

* cited by examiner

Primary Examiner — Karen S Acker

Assistant Examiner — Steven B Reinholdt, Jr.

(74) *Attorney, Agent, or Firm* — Levine Bagade Han LLP

(57) **CLAIM**

The ornamental design for a heater stand, as shown and described.

DESCRIPTION

FIG. 1 is a rear perspective view of the heater stand;

FIG. 2 is an enlarged top view thereof;

FIG. 3 is an enlarged bottom view thereof;

FIG. 4 is a back view thereof;

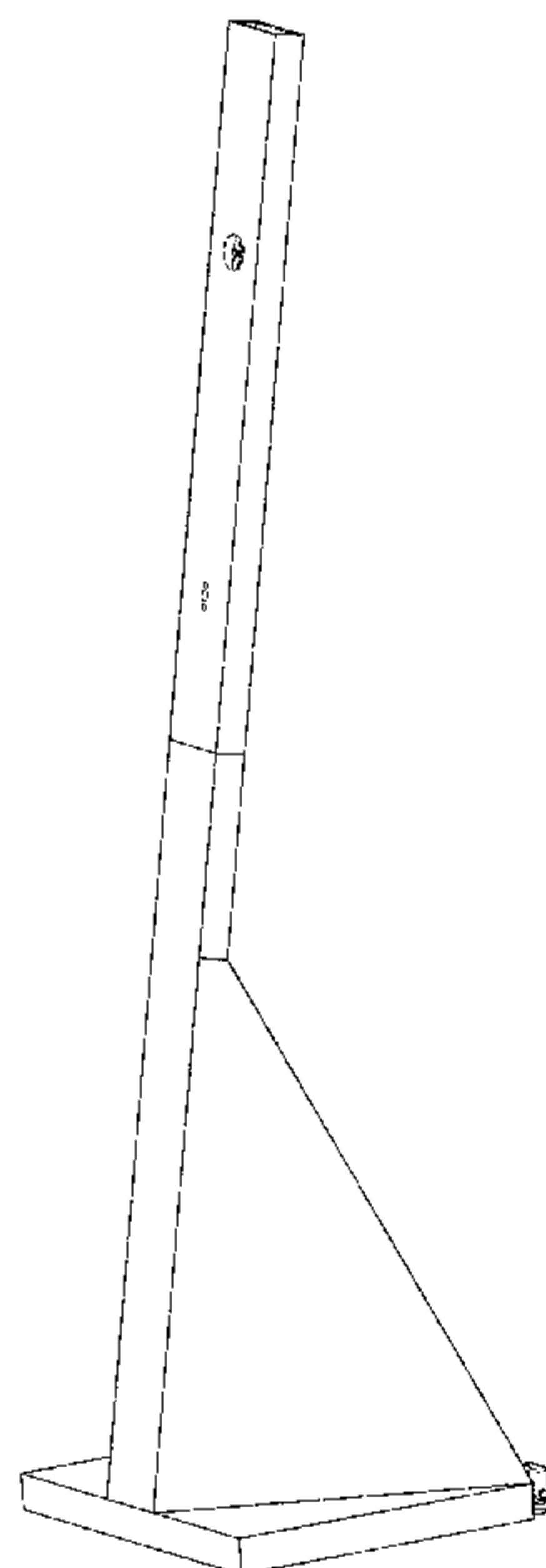
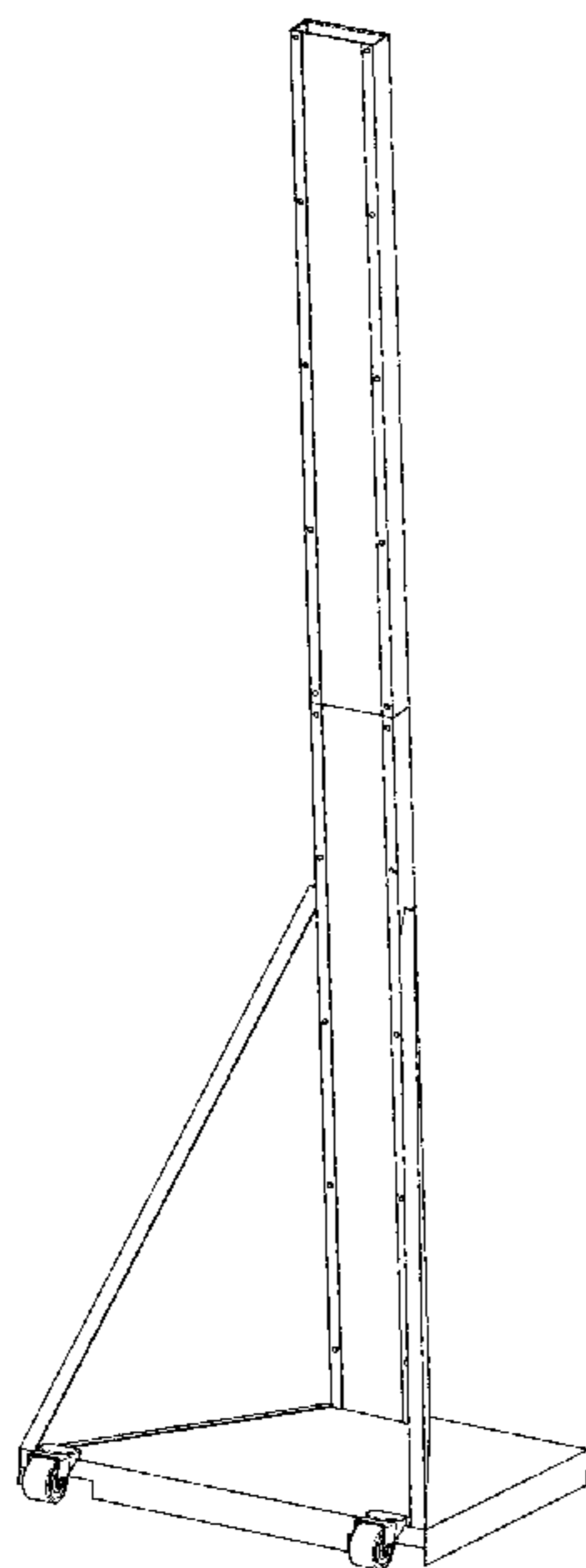
FIG. 5 is a front view thereof;

FIG. 6 is a left side view thereof; and,

FIG. 7 is a front perspective view thereof.

The broken lines depict portions of the heater stand that form no part of the claim.

1 Claim, 7 Drawing Sheets



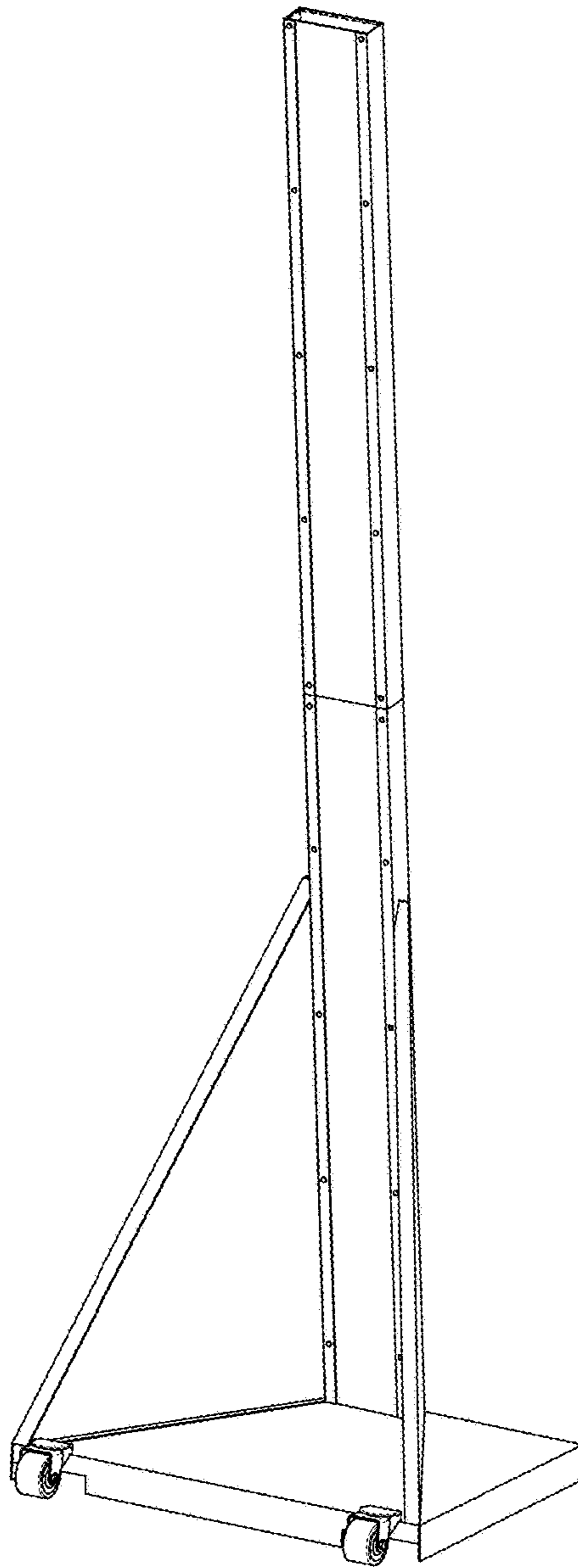


FIG. 1

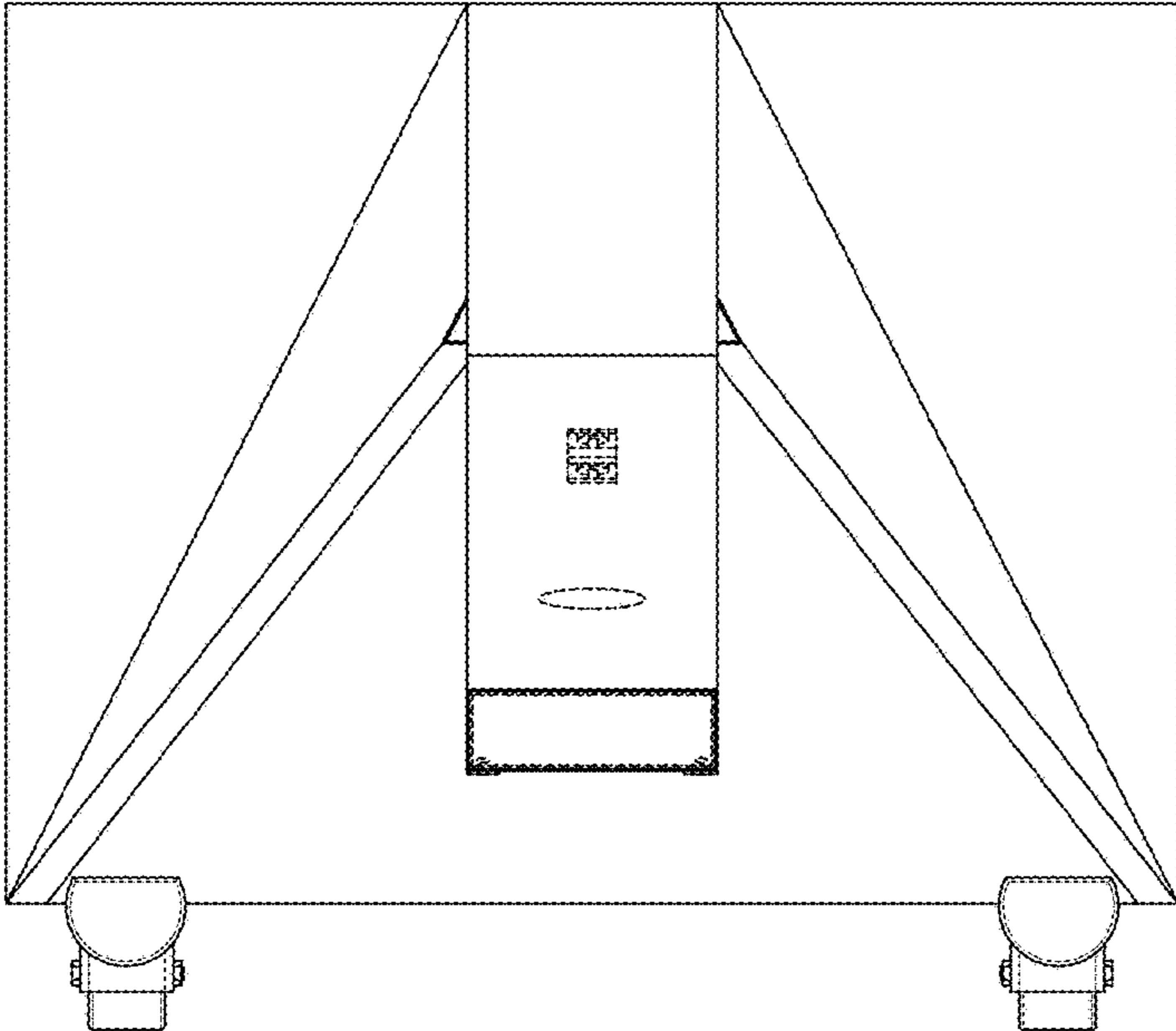


FIG. 2

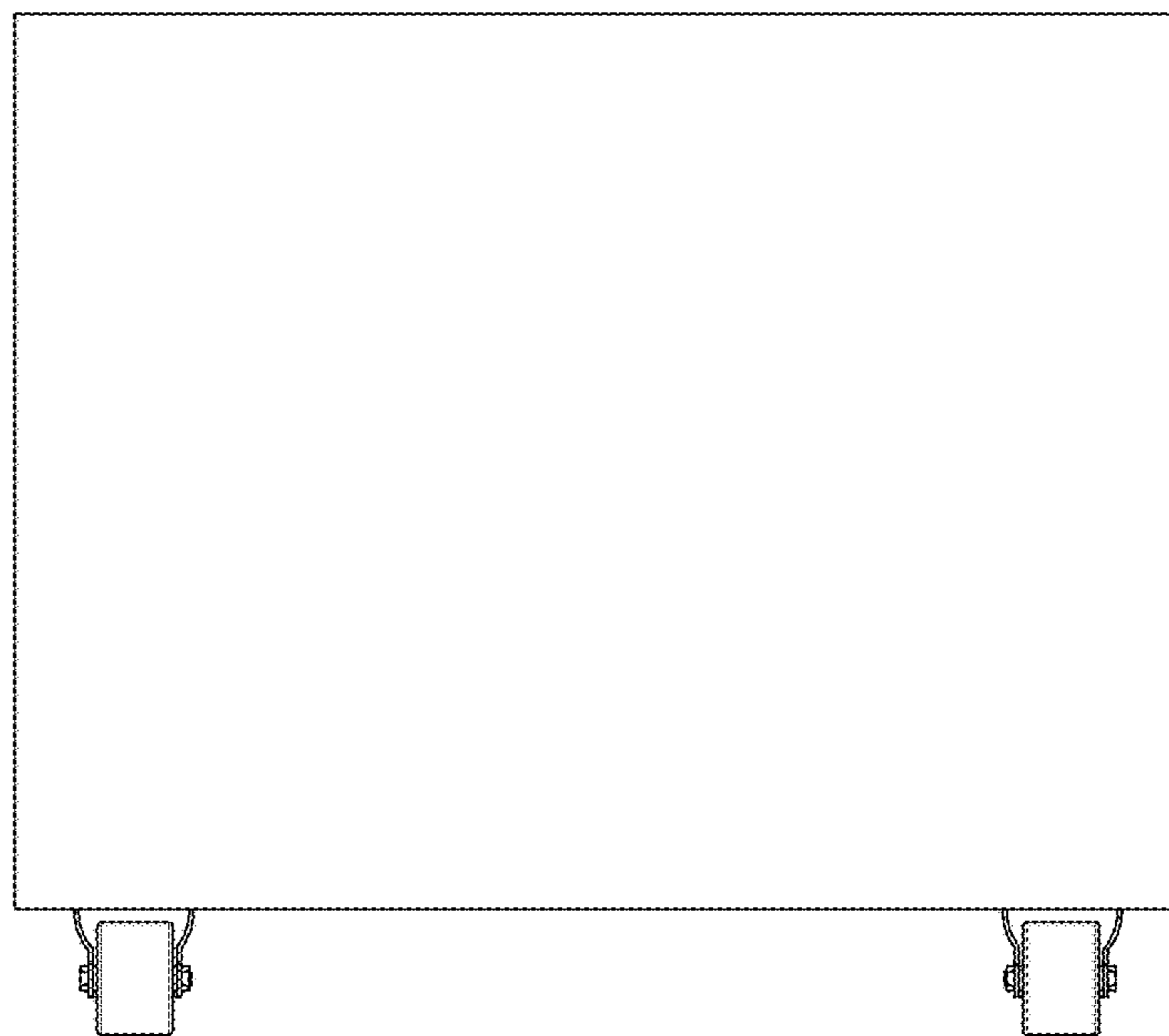


FIG. 3

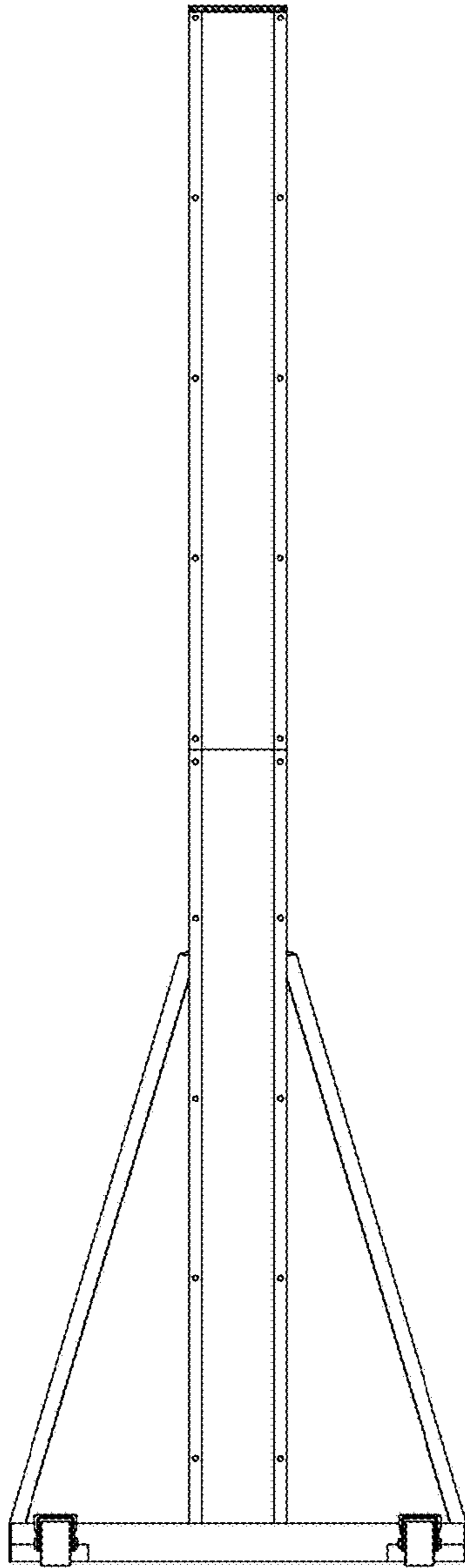


FIG. 4

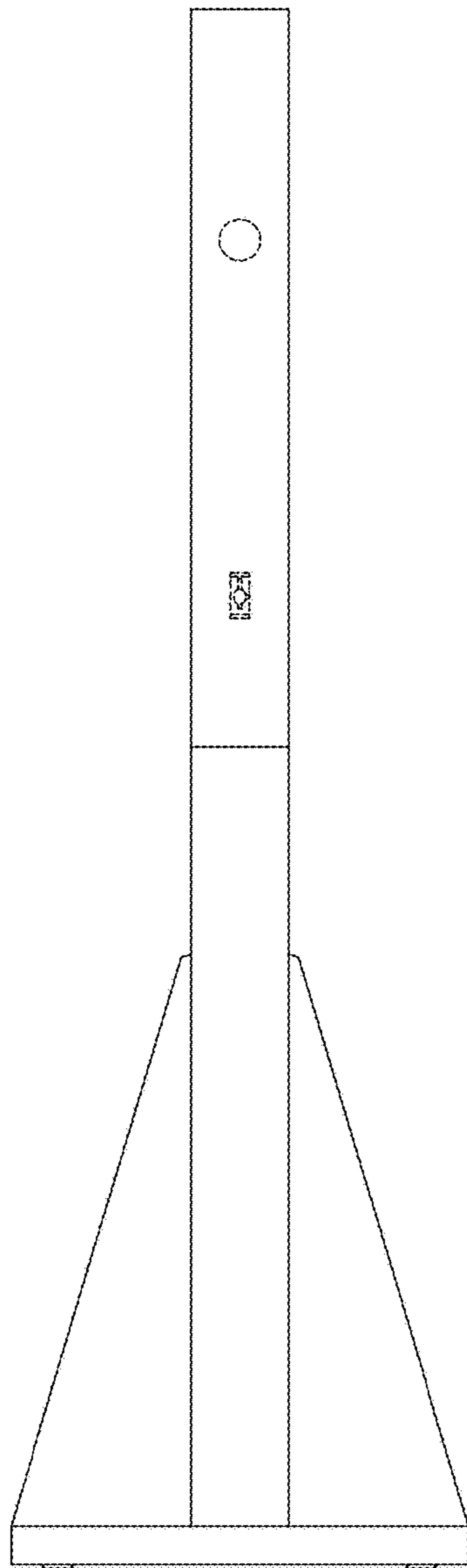


FIG. 5

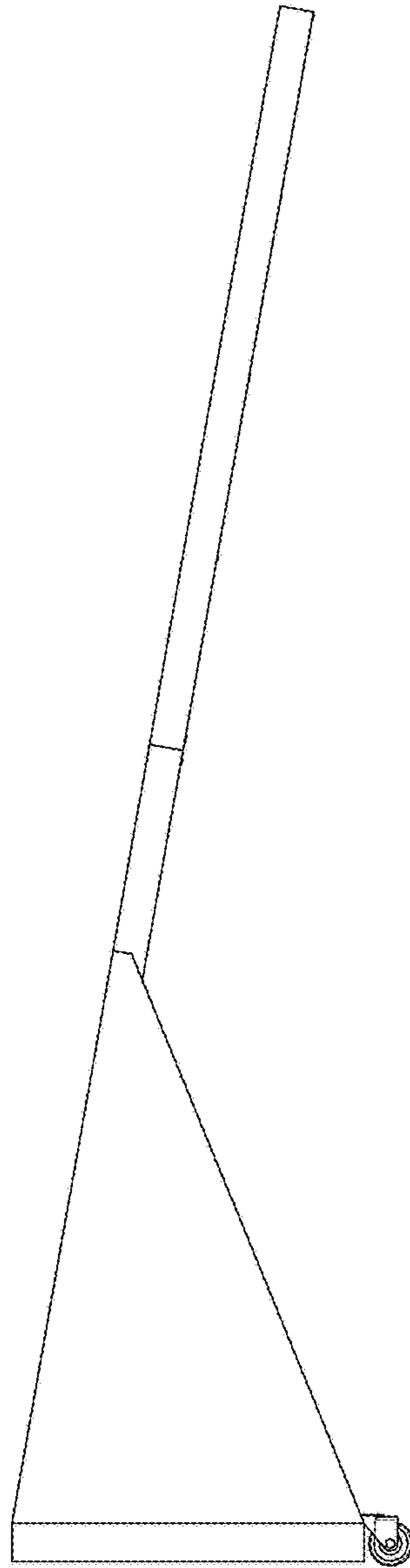


FIG. 6

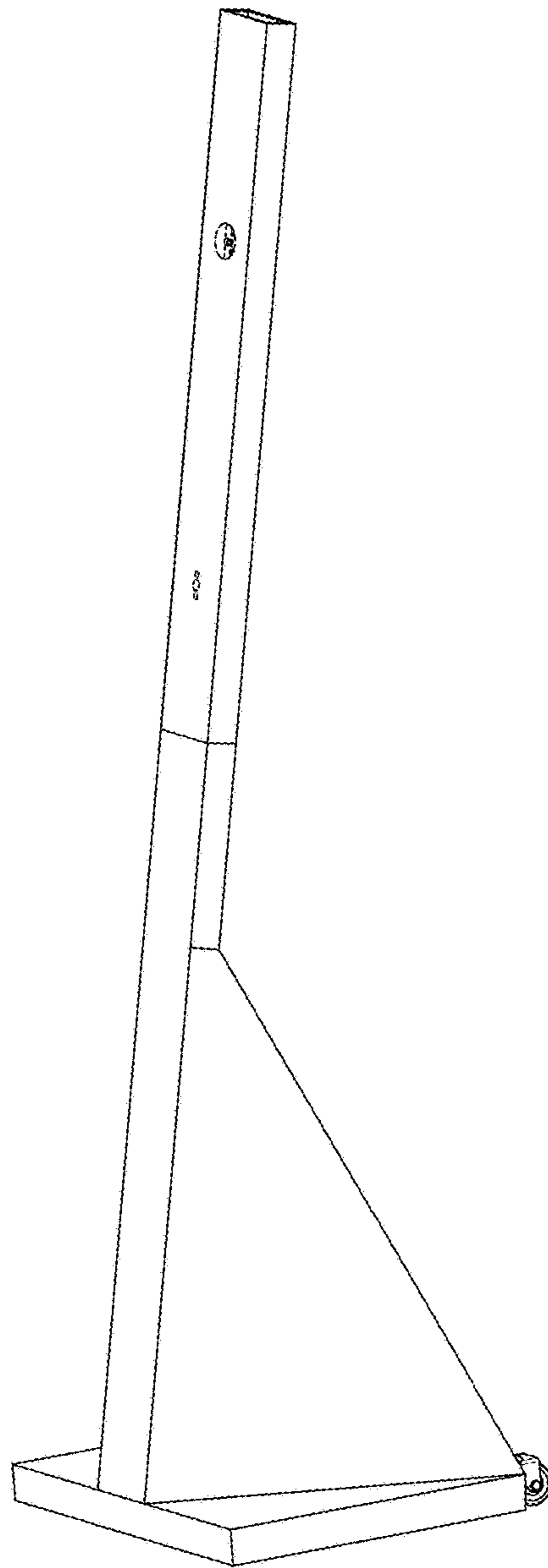


FIG. 7