



US00D865138S

(12) **United States Design Patent** (10) **Patent No.:** **US D865,138 S**
Lyons (45) **Date of Patent:** **** Oct. 29, 2019**

(54) **SINK**

(71) Applicant: **AS IP Holdco, LLC**, Piscataway, NJ (US)

(72) Inventor: **Alison Lyons**, New York, NY (US)

(73) Assignee: **AS AMERICA, INC.**, Piscataway, NJ (US)

(**) Term: **15 Years**

(21) Appl. No.: **29/632,377**

(22) Filed: **Jan. 8, 2018**

(51) **LOC (12) Cl.** **23-02**

(52) **U.S. Cl.**
USPC **D23/293.1**

(58) **Field of Classification Search**
USPC D23/284, 287-292, 293.1, 303, 308;
D9/425; D8/1; D11/155, 156; D3/304
CPC A47K 1/04; A47B 77/06; A47J 47/20
See application file for complete search history.

(56) **References Cited**

U.S. PATENT DOCUMENTS

D414,251 S *	9/1999	Leppert	D23/308
6,154,895 A *	12/2000	Pisklak	E03C 1/18 4/584
D603,946 S *	11/2009	Eckhaus	D23/308
D620,091 S *	7/2010	Eckhaus	D23/308
D622,826 S *	8/2010	Helmer	D23/293.1
D624,635 S *	9/2010	Eckhaus	D23/308
8,096,678 B2 *	1/2012	Jones, III	E03C 1/186 362/234
D693,268 S *	11/2013	Ness	D11/156
D705,404 S *	5/2014	Anzellini	D23/293.1
D767,738 S *	9/2016	Osterroth	D23/284
2005/0223486 A1 *	10/2005	Jumalon	A47B 77/06 4/619
2012/0117870 A1 *	5/2012	Ness	A01G 9/02 47/65.7

OTHER PUBLICATIONS

Linkasink Kitchen Farmhouse Sink [Apr. 3, 2019] found online [Apr. 3, 2019]—https://waveplumbing.com/index.php?main_page=product_info&products_id=7018.*

* cited by examiner

Primary Examiner — Lakiya G Rogers

Assistant Examiner — John A Voytek

(74) *Attorney, Agent, or Firm* — Morgan, Lewis & Bockius LLP

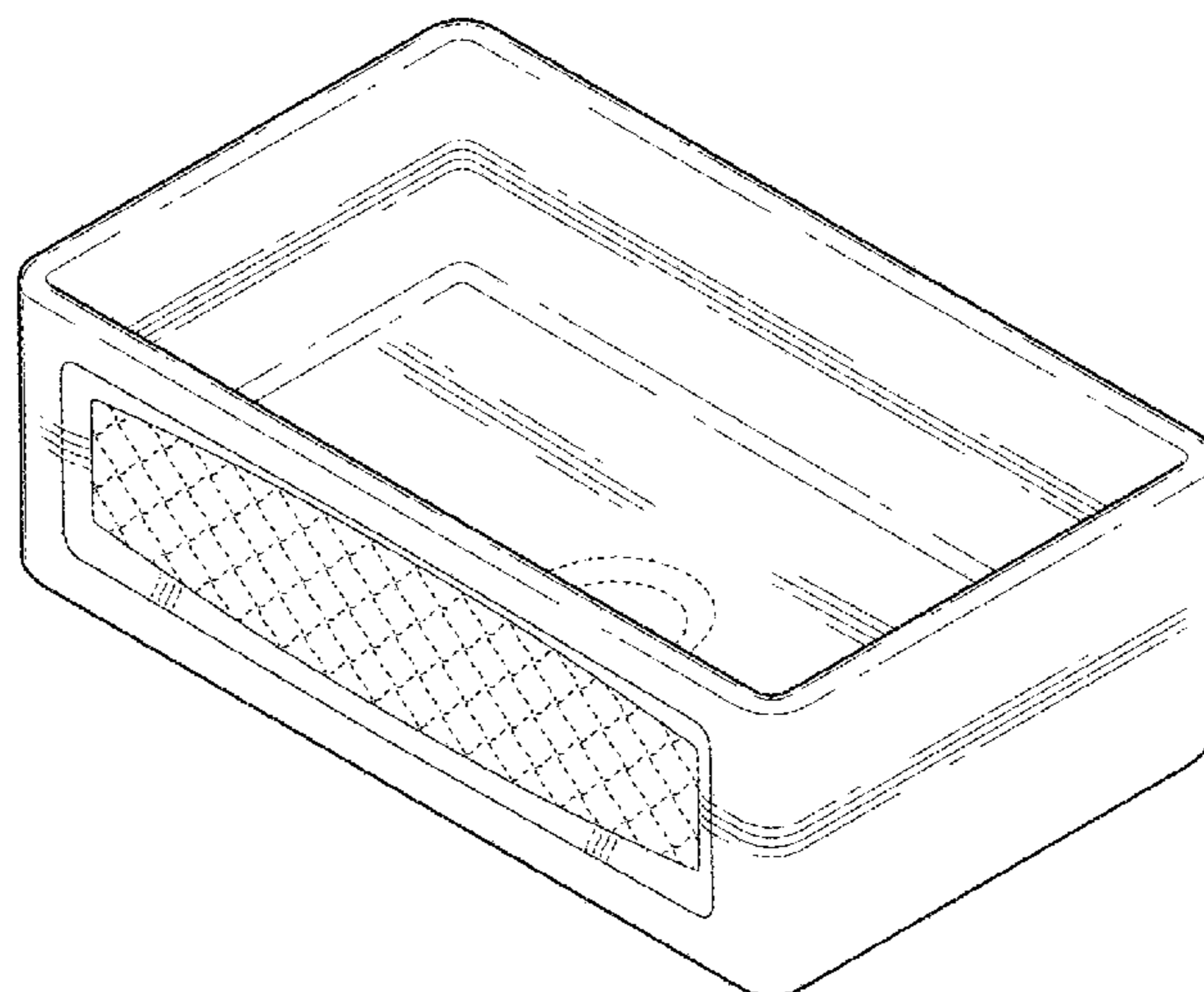
(57) **CLAIM**

The ornamental design for a sink, as shown and described.

DESCRIPTION

FIG. 1 is a front, top, perspective view of a sink showing my new design;
FIG. 2 is a rear, bottom, perspective view of the sink shown in FIG. 1;
FIG. 3 is a front elevational view of the sink shown in FIG. 1;
FIG. 4 is a rear elevational view of the sink shown in FIG. 1;
FIG. 5 is a left-side elevational view of the sink shown in FIG. 1, the right-side elevational view being a mirror of the left-side;
FIG. 6 is a top plan view of the sink shown in FIG. 1; and,
FIG. 7 is a bottom plan view of the sink shown in FIG. 1. The broken lines immediately adjacent the shaded areas represent the bounds of the claimed design while all other broken lines are directed to environment and are for illustrative purposes only; the broken lines form no part of the claimed design.

1 Claim, 4 Drawing Sheets



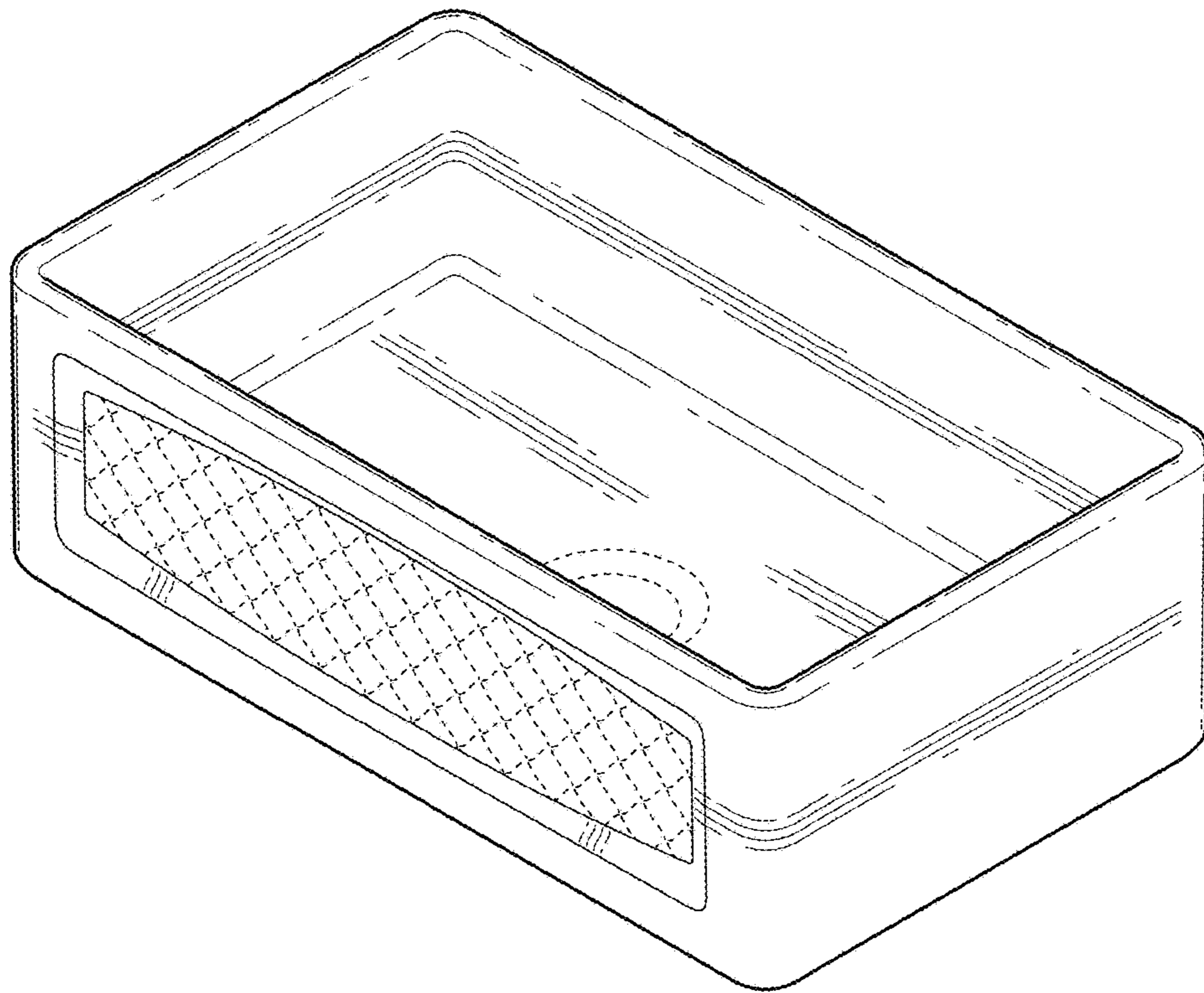


FIG. 1

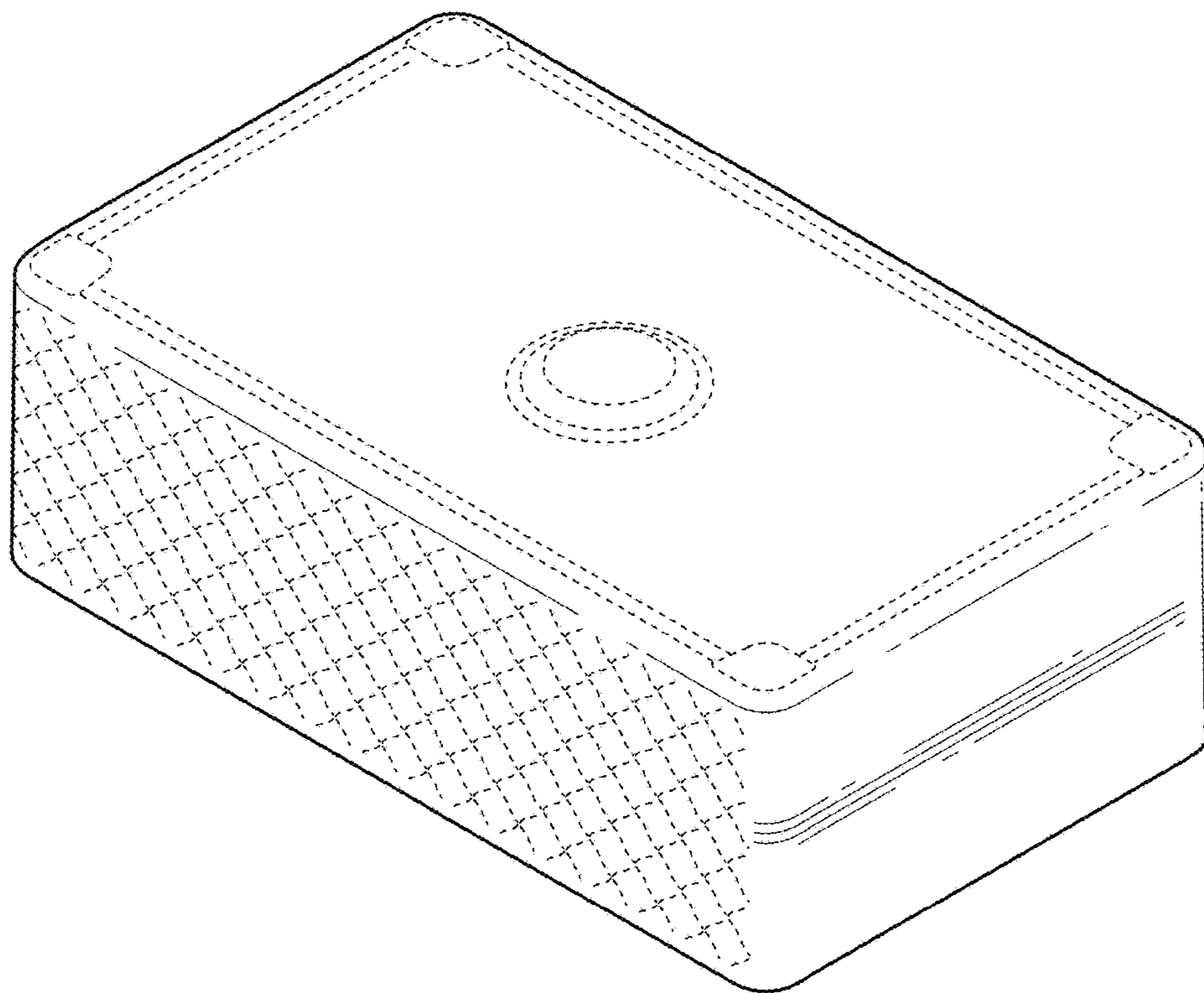


FIG. 2

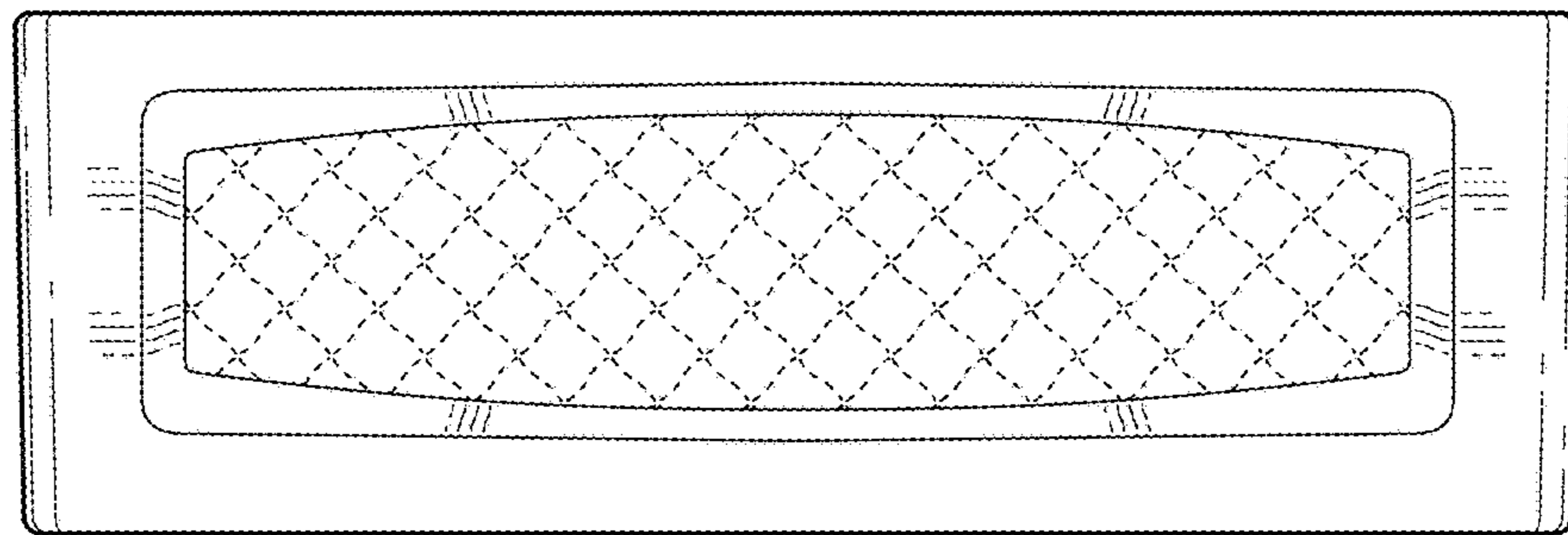


FIG. 3

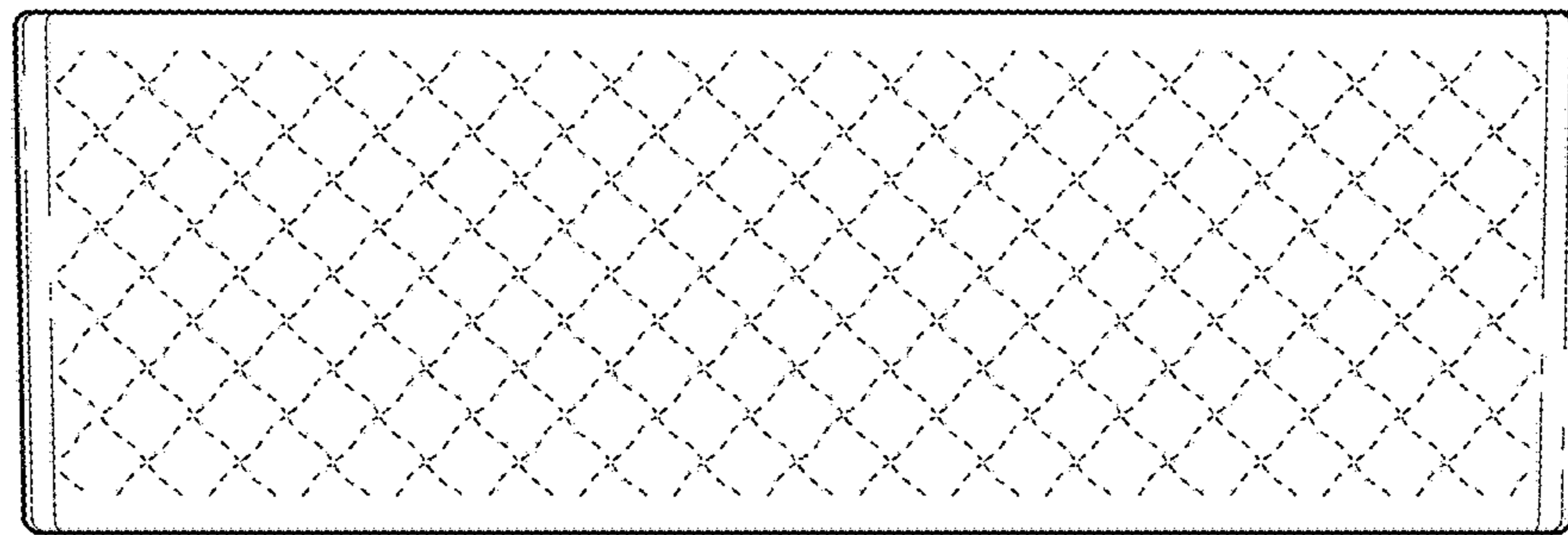


FIG. 4

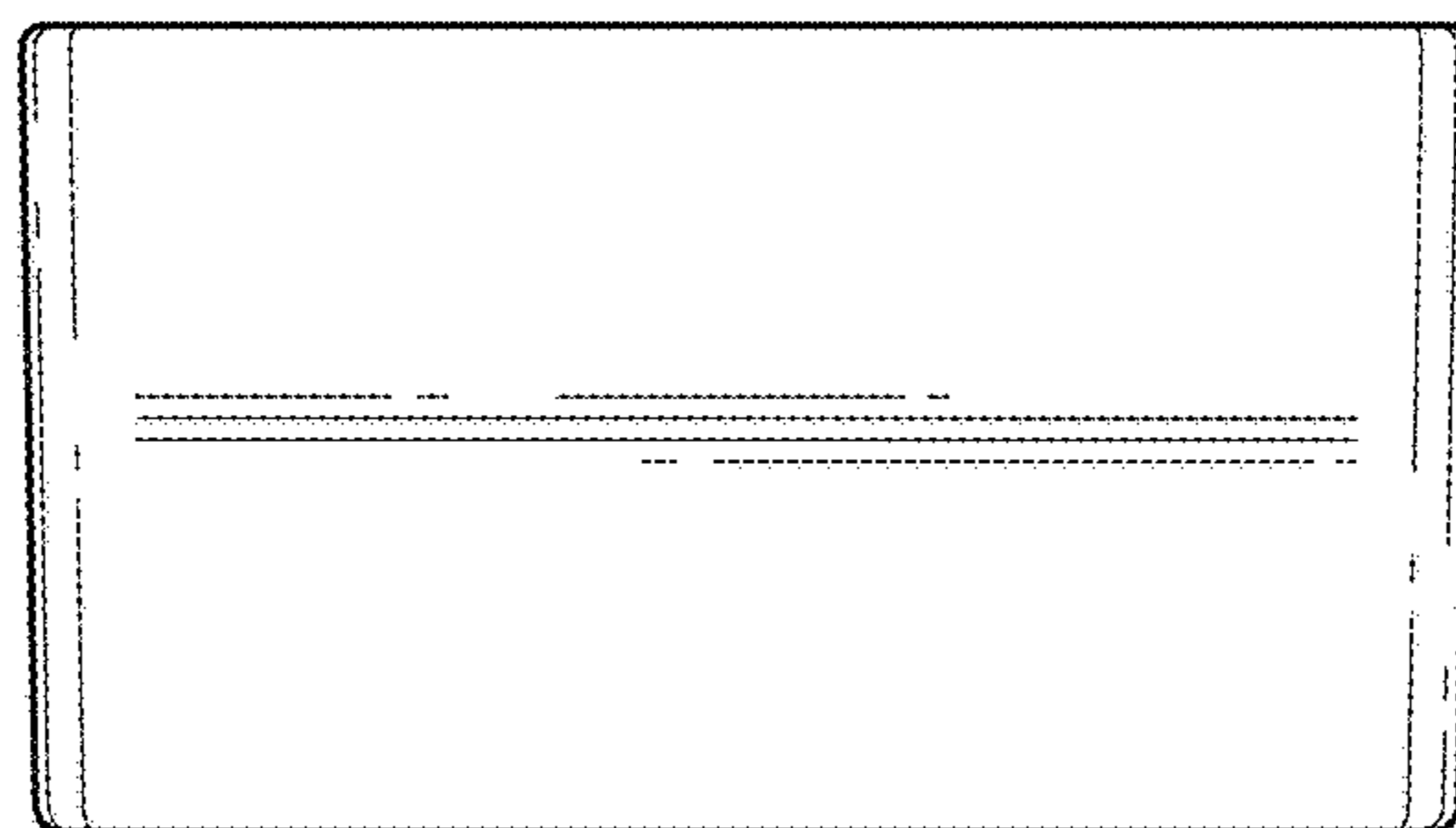


FIG. 5

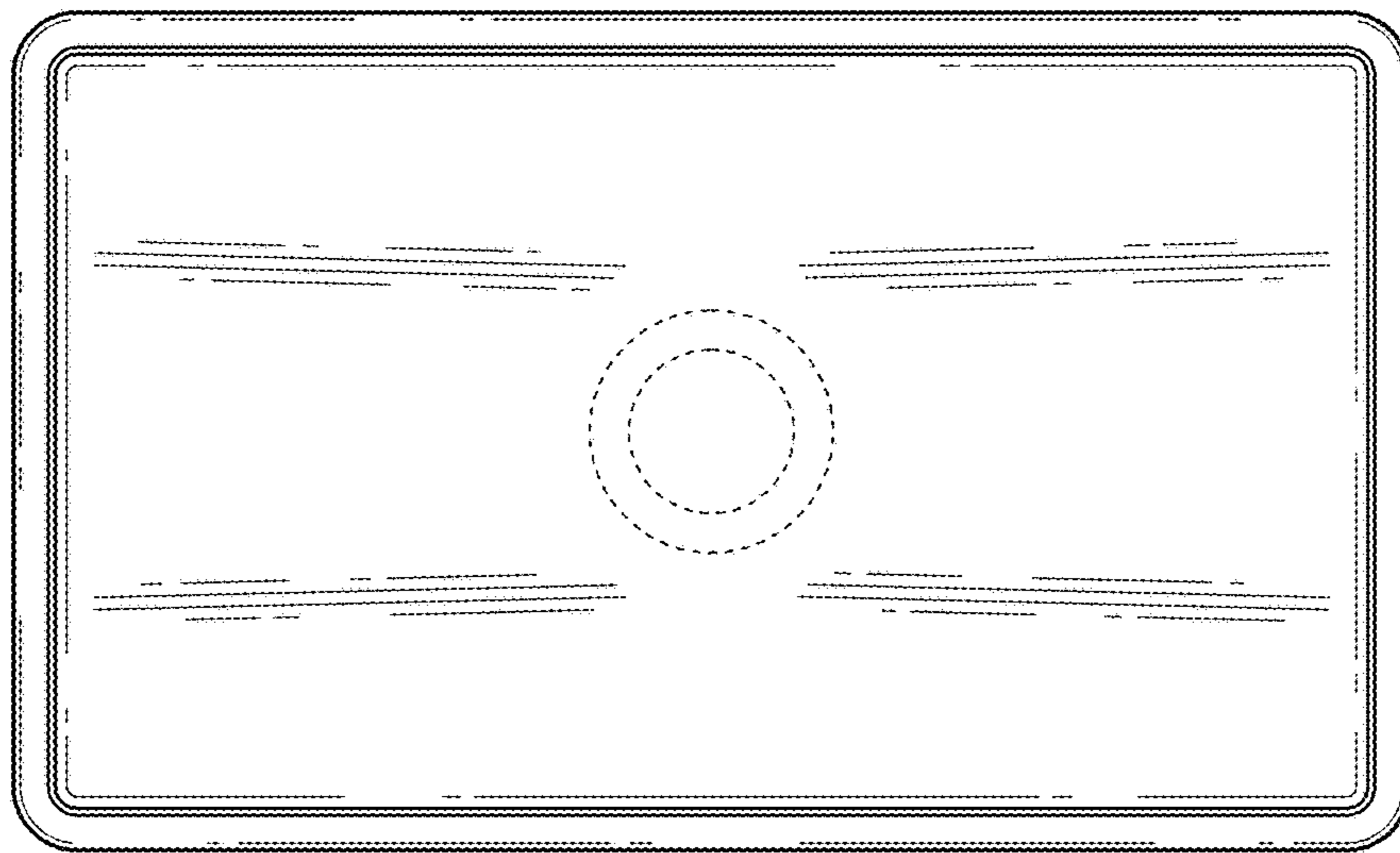


FIG. 6

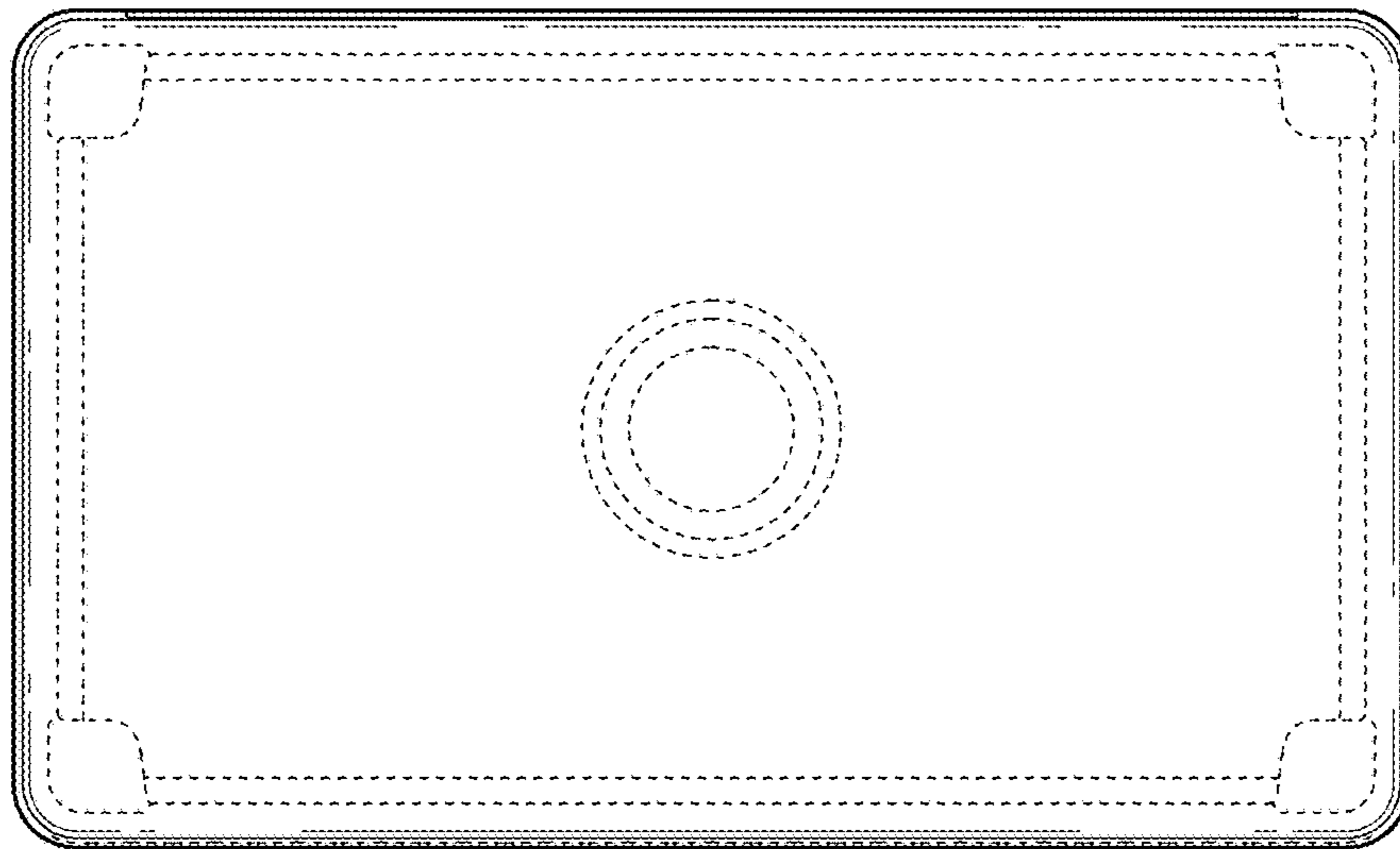


FIG. 7