



US00D865137S

(12) **United States Design Patent** (10) **Patent No.:** **US D865,137 S**  
**Kergoët** (45) **Date of Patent:** **\*\* Oct. 29, 2019**

- (54) **LAVATORY**
- (71) Applicant: **Kohler Co.**, Kohler, WI (US)
- (72) Inventor: **François Kergoët**, Malakoff (FR)
- (73) Assignee: **KOHLER CO.**, Kohler, WI (US)
- (\*\*) Term: **15 Years**
- (21) Appl. No.: **29/648,014**
- (22) Filed: **May 17, 2018**
- (51) **LOC (12) Cl.** ..... **23-01**
- (52) **U.S. Cl.**  
USPC ..... **D23/284**
- (58) **Field of Classification Search**  
USPC ..... D23/284, 288, 290, 308, 201  
See application file for complete search history.

D504,720 S	5/2005	Piatt	
D508,983 S	8/2005	Piatt	
D510,987 S	10/2005	Piatt	
D529,147 S *	9/2006	Sutopo	..... D23/284
D598,085 S	8/2009	Booth	
D598,990 S *	8/2009	Duringer	..... D23/284
D610,660 S *	2/2010	Slothower	..... D23/293.1
D634,822 S	3/2011	Bickerstaffe	
D663,017 S *	7/2012	Slothower	..... D23/308
D697,598 S *	1/2014	Garland	..... D23/293.1
D805,168 S *	12/2017	Stevenson	..... D23/293.1
D823,999 S *	7/2018	Stevenson	..... D23/308

\* cited by examiner

*Primary Examiner* — Robert A Delehanty  
(74) *Attorney, Agent, or Firm* — Foley & Lardner LLP

(57) **CLAIM**

I claim the ornamental design for a lavatory, as shown and described.

**DESCRIPTION**

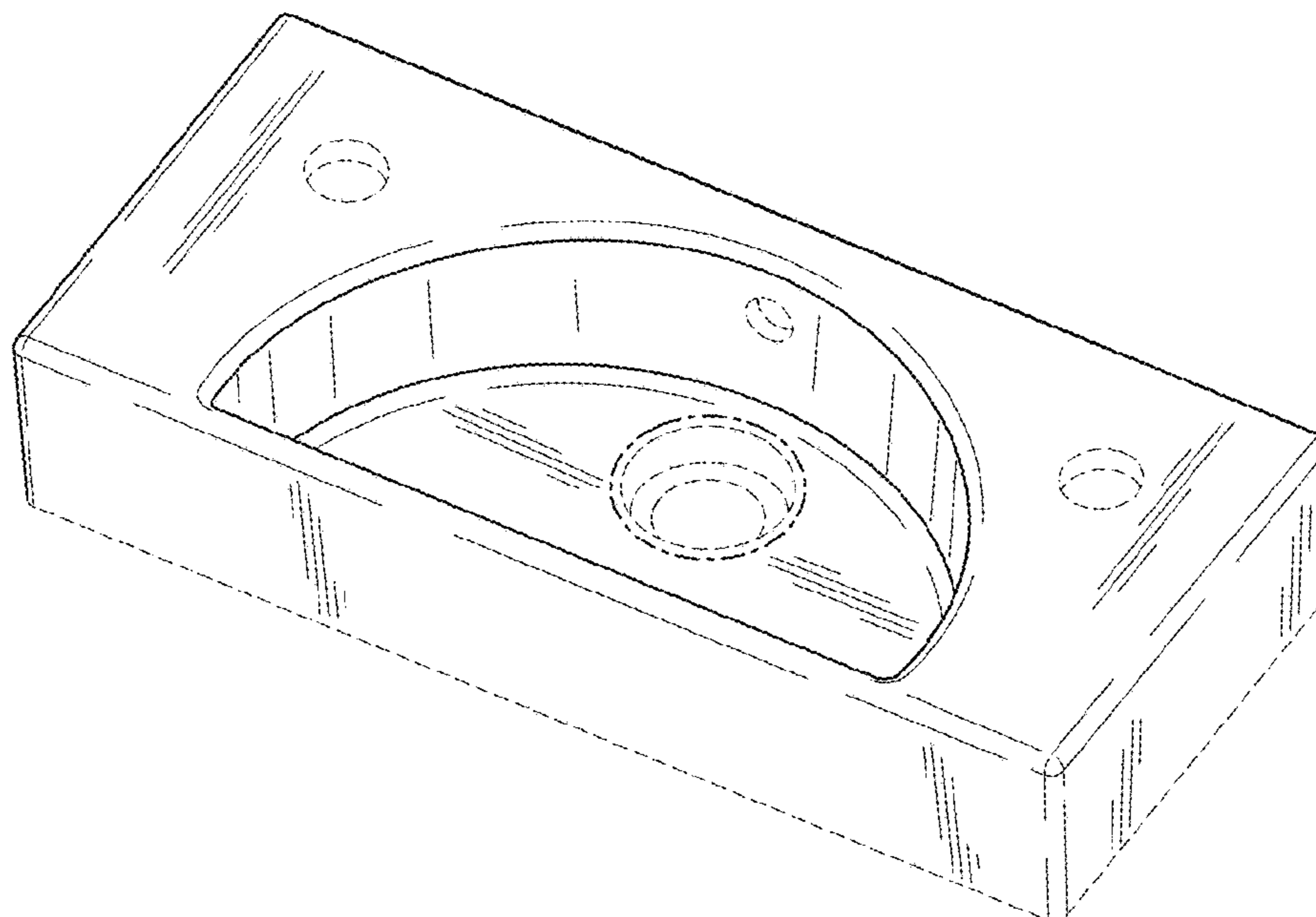
FIG. 1 is a perspective view of an embodiment of the claimed design;  
FIG. 2 is a top view of the embodiment of FIG. 1;  
FIG. 3 is a bottom view of the embodiment of FIG. 1;  
FIG. 4 is a front view of the embodiment of FIG. 1;  
FIG. 5 is a rear view of the embodiment of FIG. 1;  
FIG. 6 is a side view of the embodiment of FIG. 1; and,  
FIG. 7 is another side view of the embodiment of FIG. 1.  
The ornamental design which is claimed is shown in solid lines in the drawings. The broken lines in the drawings are for illustrative purposes only and form no part of the claimed design. Broken lines formed of unequal length dashes (i.e., dash-dot) define bounds of the claimed design.

**1 Claim, 4 Drawing Sheets**

(56) **References Cited**

U.S. PATENT DOCUMENTS

D116,564 S *	9/1939	Love	..... D23/290
D202,411 S *	9/1965	Niemann	..... D23/293.1
D299,166 S	12/1988	Reid	
D319,497 S	8/1991	Reid	
D328,338 S *	7/1992	Ragonot	..... D23/284
D384,404 S *	9/1997	Kergoet	..... D23/284
D433,741 S *	11/2000	Singer	..... D23/284
D434,124 S *	11/2000	McKeone	..... D23/284
D461,881 S	8/2002	McKeone	
D482,434 S	11/2003	Piatt	
D495,792 S	9/2004	Sutopo	
D497,416 S	10/2004	Piatt	
D497,418 S	10/2004	Piatt	
D504,718 S	5/2005	Piatt	
D504,719 S	5/2005	Piatt	



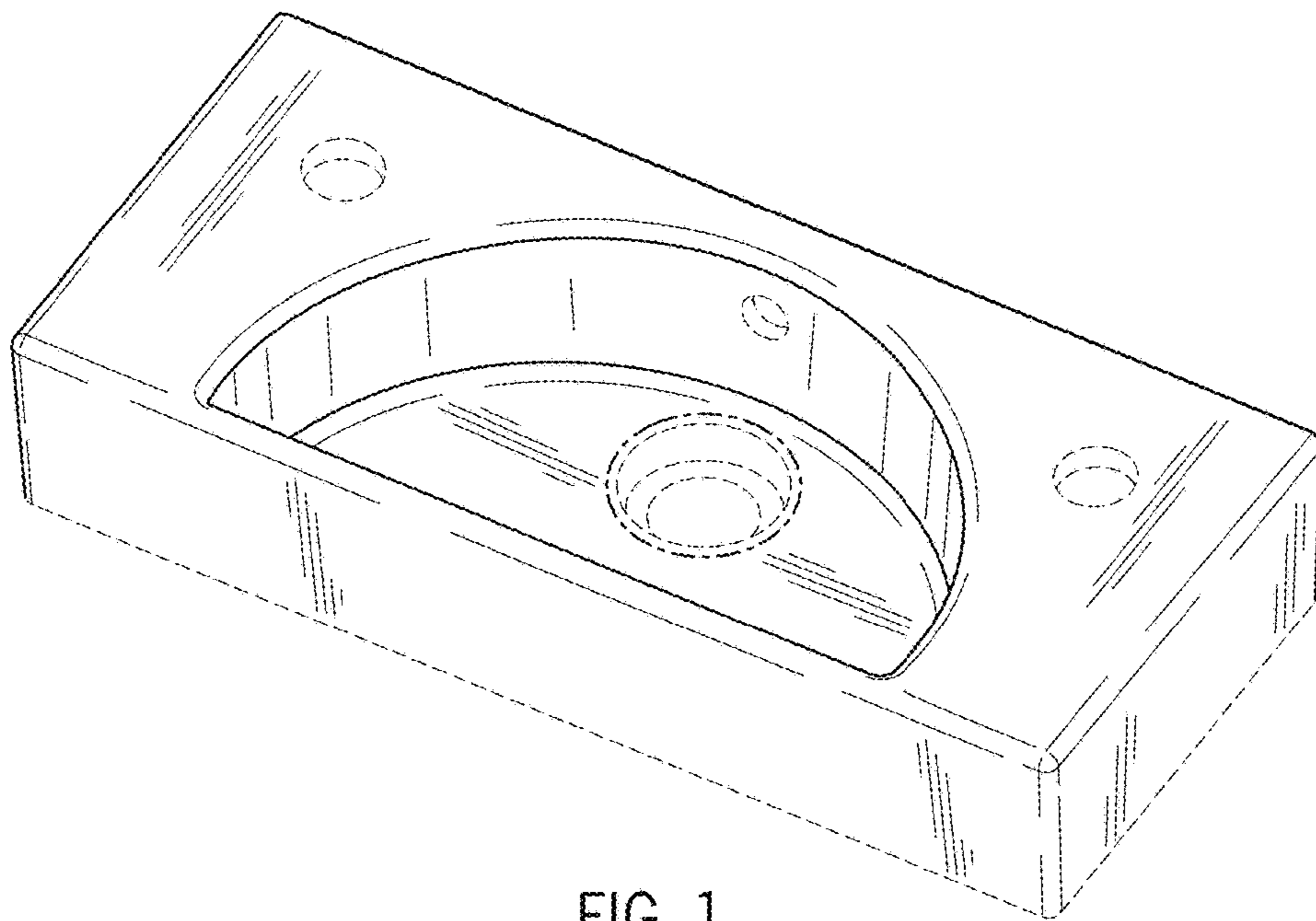


FIG. 1

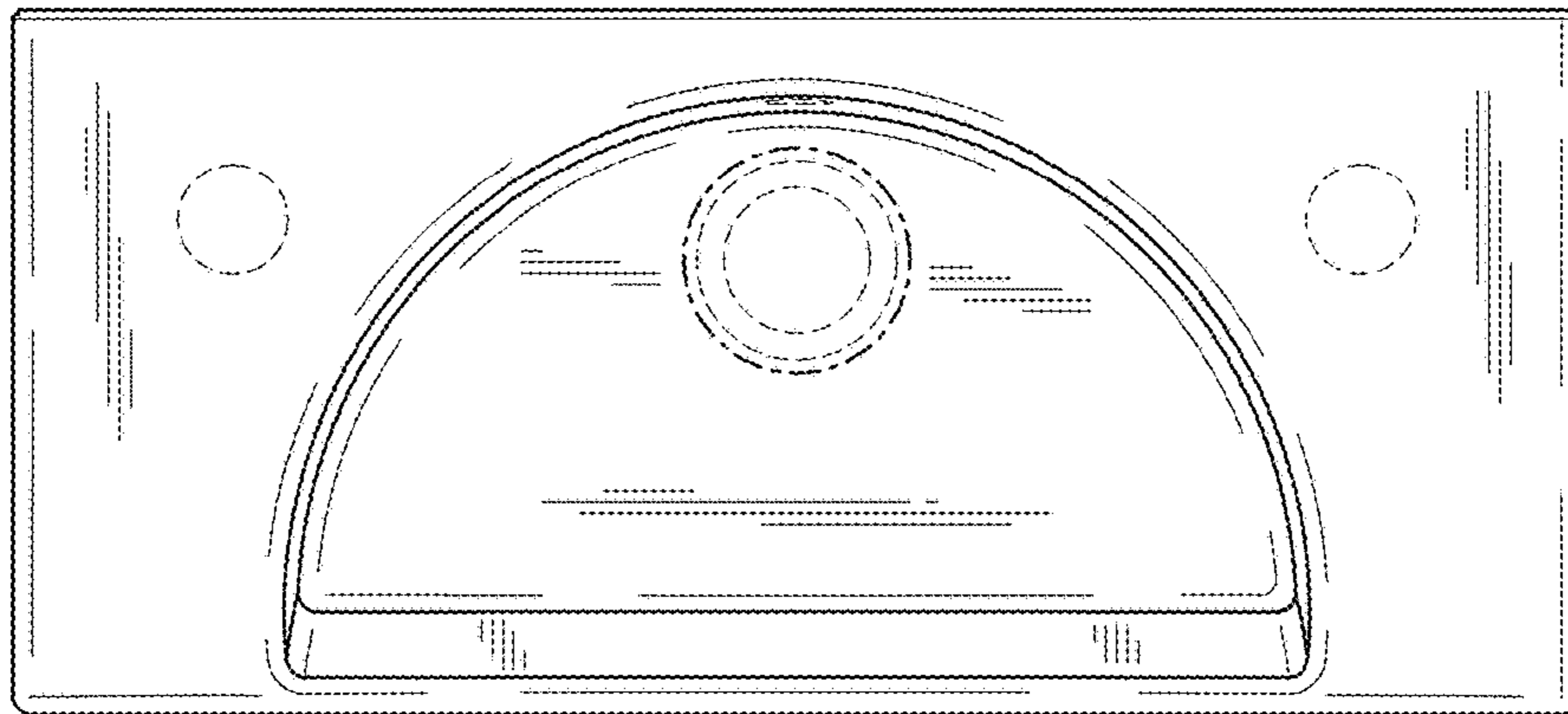


FIG. 2

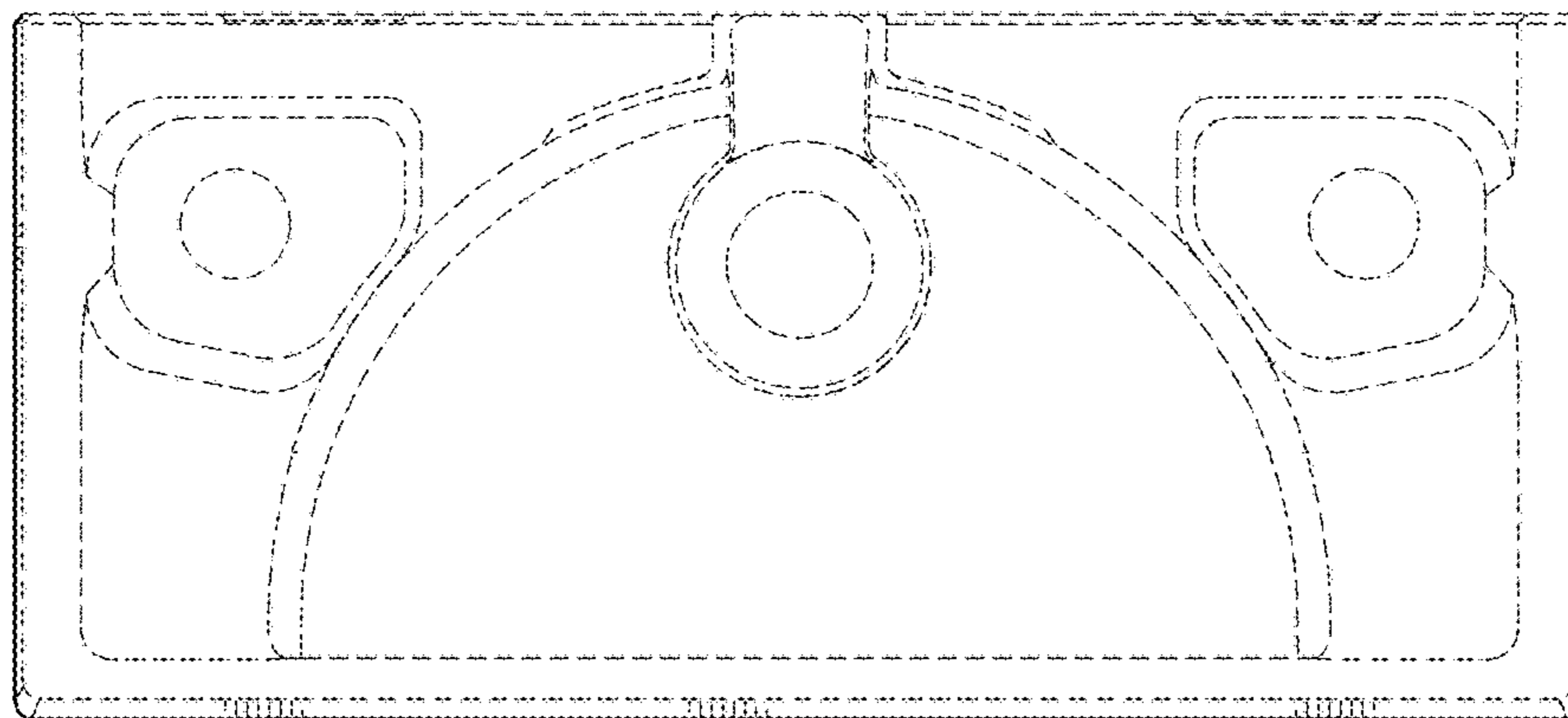


FIG. 3

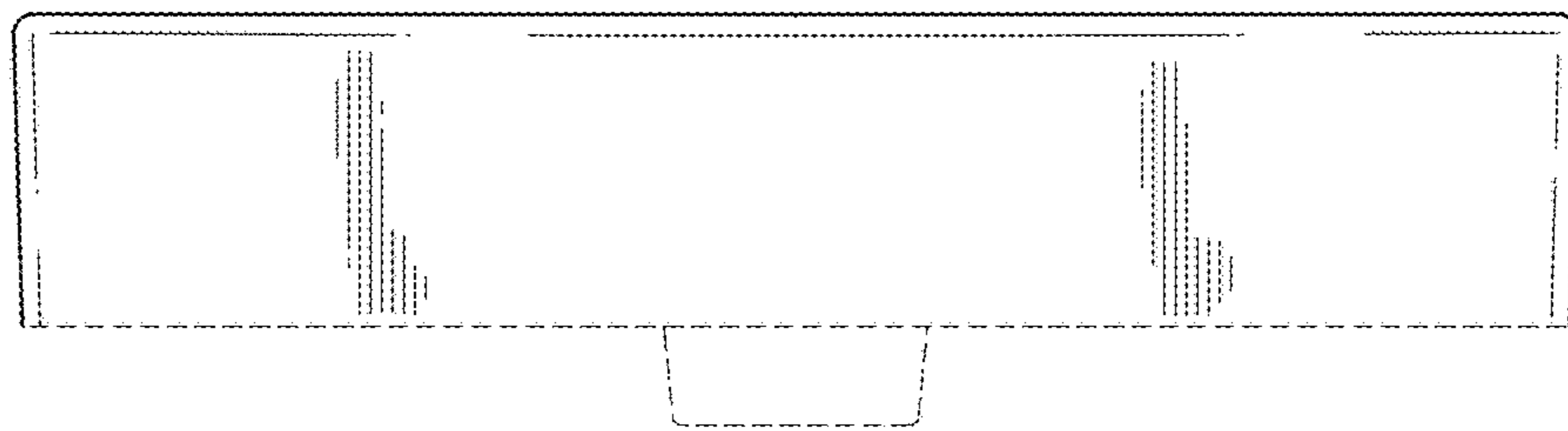


FIG. 4

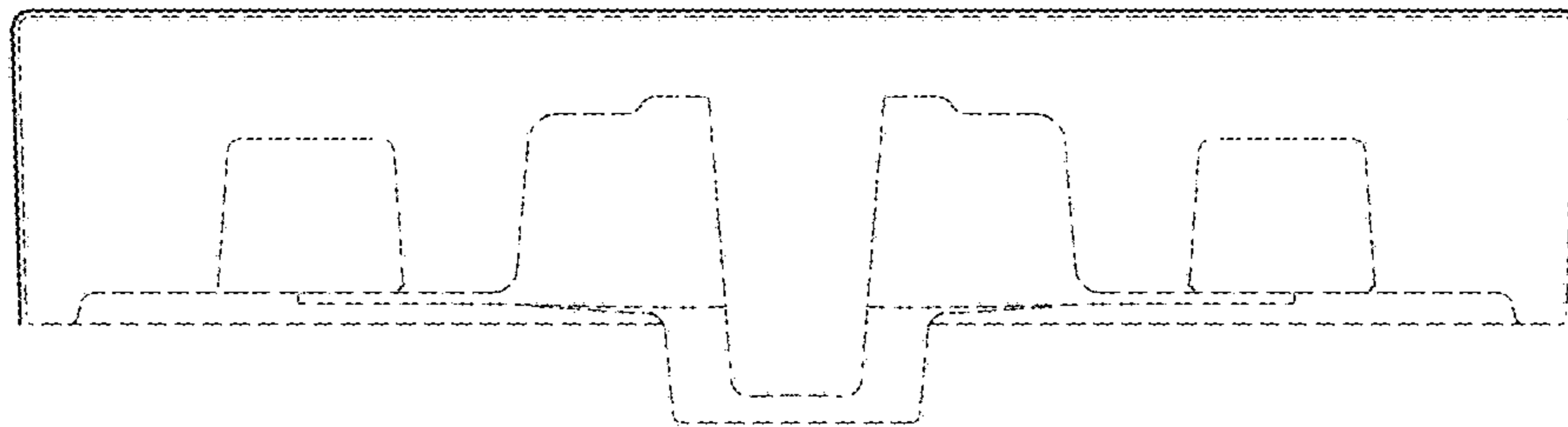


FIG. 5

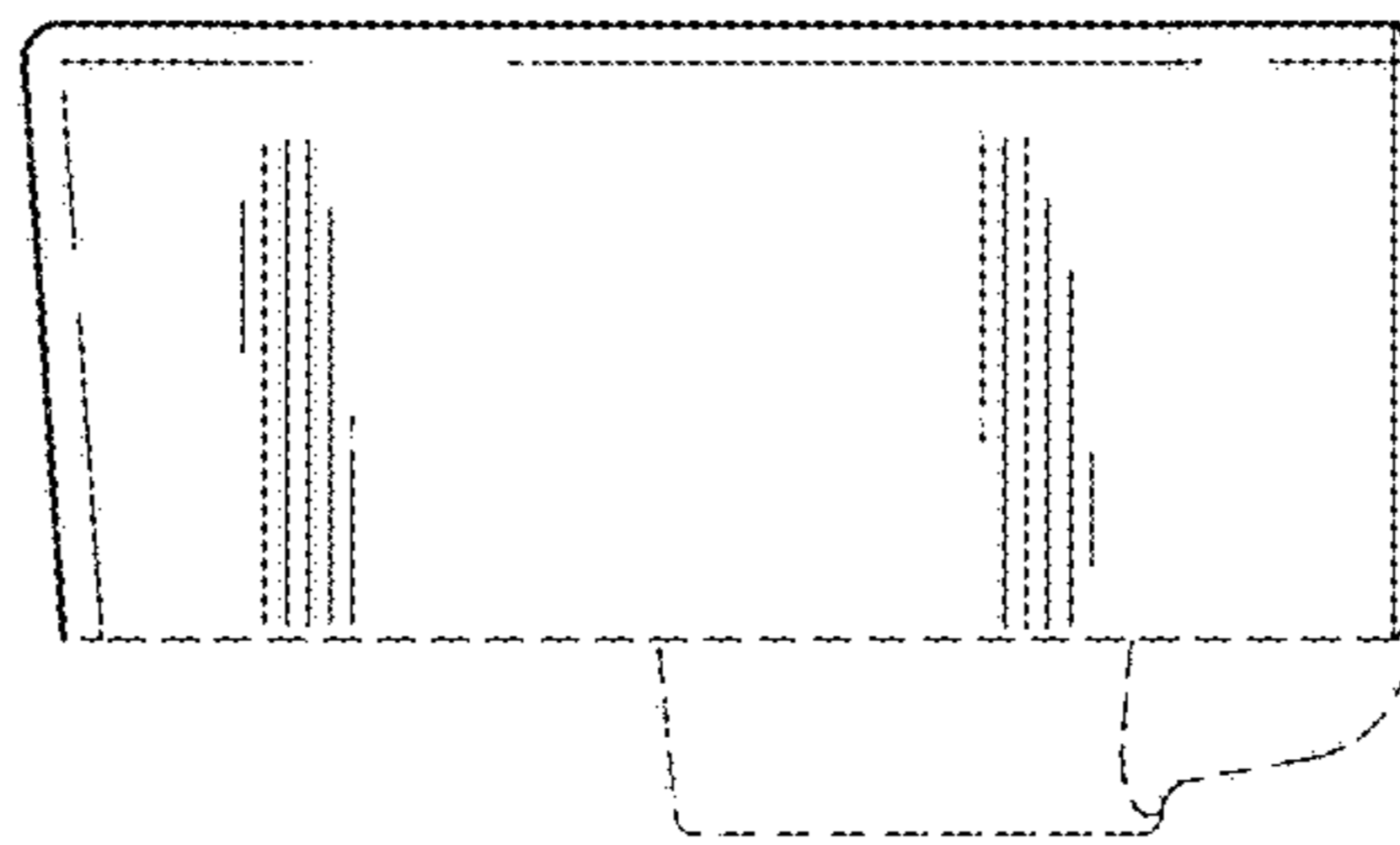


FIG. 6

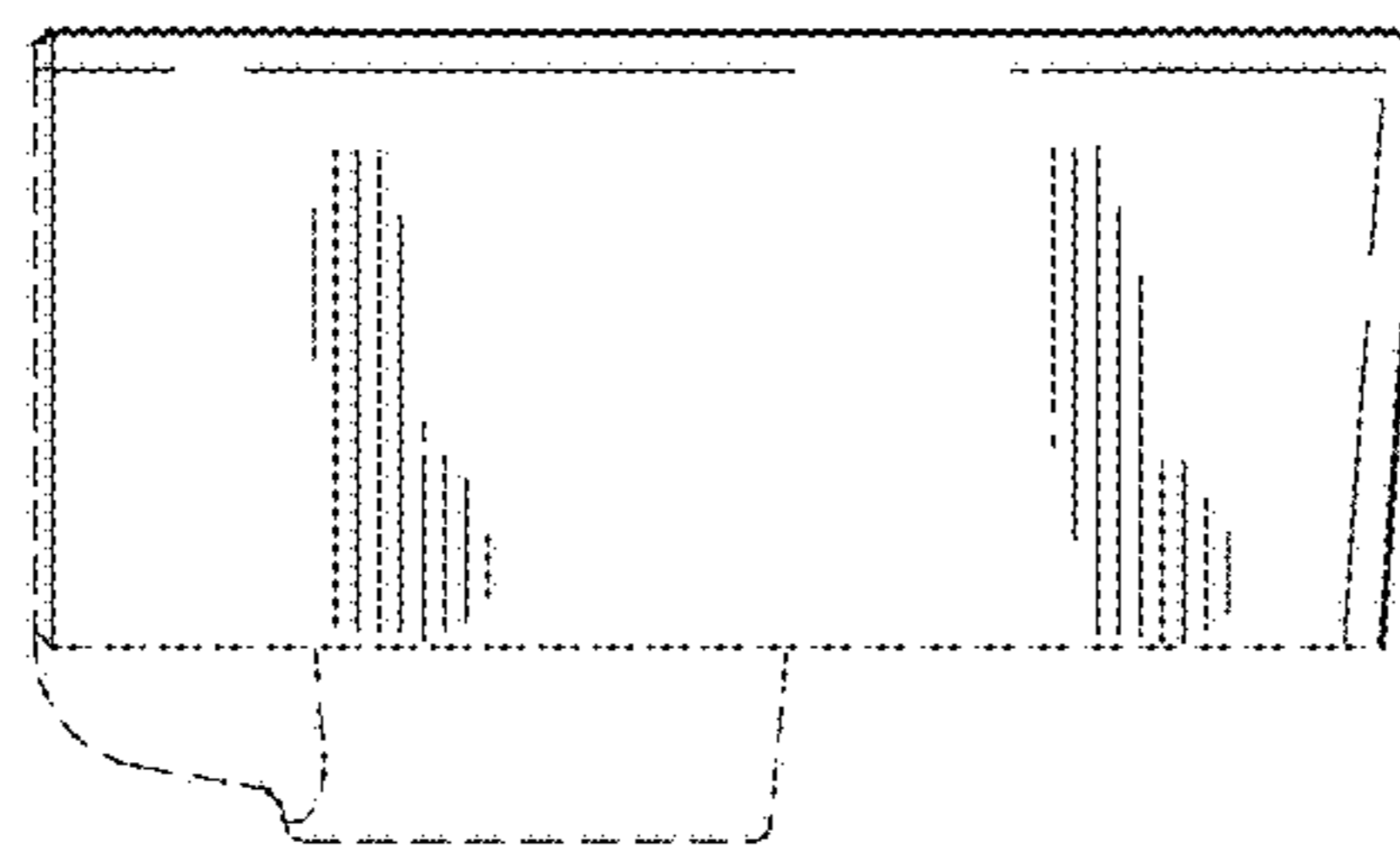


FIG. 7