



US00D865134S

(12) **United States Design Patent**  
**Nagahamaya et al.**

(10) **Patent No.:** **US D865,134 S**  
(45) **Date of Patent:** **\*\* Oct. 29, 2019**

(54) **SEAL**

- (71) Applicant: **NOK CORPORATION**, Tokyo (JP)
- (72) Inventors: **Hideaki Nagahamaya**, Fukushima (JP);  
**Kokichi Hamamoto**, Fukushima (JP);  
**Masayuki Tanida**, Fukushima (JP);  
**Takehiro Nakagawa**, Fukushima (JP)
- (73) Assignee: **NOK CORPORATION**, Tokyo (JP)
- (\*\*) Term: **15 Years**
- (21) Appl. No.: **29/618,619**
- (22) Filed: **Sep. 22, 2017**

**Related U.S. Application Data**

- (62) Division of application No. 29/558,928, filed on Mar. 23, 2016, now Pat. No. Des. 802,104.

(30) **Foreign Application Priority Data**

- Sep. 25, 2015 (JP) ..... 2015-21025
- Sep. 25, 2015 (JP) ..... 2015-21026

- (51) **LOC (12) Cl.** ..... **23-01**
- (52) **U.S. Cl.**

USPC ..... **D23/269**

(58) **Field of Classification Search**

USPC .... 285/901, 42-50; D23/259-260, 269, 262,  
D23/266, 260-261, 263-265; 417/454;  
277/351-359, 361-364, 382, 392,  
277/394-395, 504, 553, 549, 562-563,  
277/572, 641-644, 602-603, 605-609,  
277/611, 616-617, 623, 314-316,  
277/650-652, 402-403; D16/219;  
137/375, 377, 341

CPC ..... F16L 25/14; F16K 35/00; F16K 49/00;  
E03B 7/12

See application file for complete search history.

(56) **References Cited**

U.S. PATENT DOCUMENTS

- 3,474,808 A \* 10/1969 Elliott ..... F04B 53/1027  
137/327
- 4,592,556 A \* 6/1986 Nieman ..... F16D 3/06  
277/558
- 4,991,982 A \* 2/1991 Colanzi ..... F16J 15/3268  
277/402
- D346,433 S \* 4/1994 Cooper ..... D23/259
- 5,577,741 A \* 11/1996 Sink ..... F16J 15/3252  
277/559
- D442,609 S 5/2001 Quantz
- D513,072 S \* 12/2005 Berg ..... D23/386

(Continued)

*Primary Examiner* — Amy C Wierenga

(74) *Attorney, Agent, or Firm* — Pearne & Gordon LLP

(57) **CLAIM**

The ornamental design for a seal, as shown and described.

**DESCRIPTION**

FIG. 1 is a perspective view of a seal showing our new invention;

FIG. 2 is a front view thereof;

FIG. 3 is a left side view, with the illustrated portion of the seal being symmetrical about a central axis;

FIG. 4 is a top view thereof;

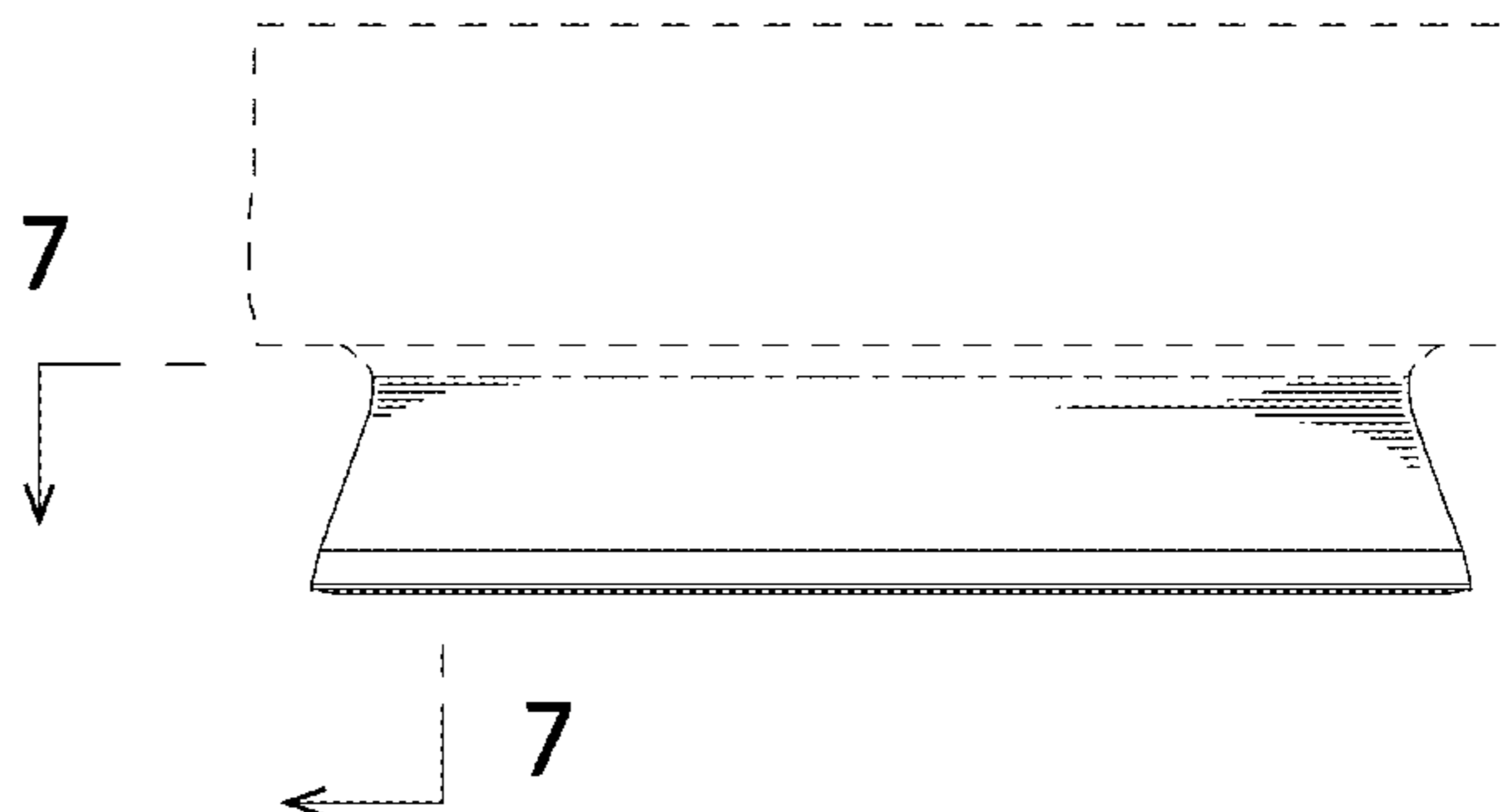
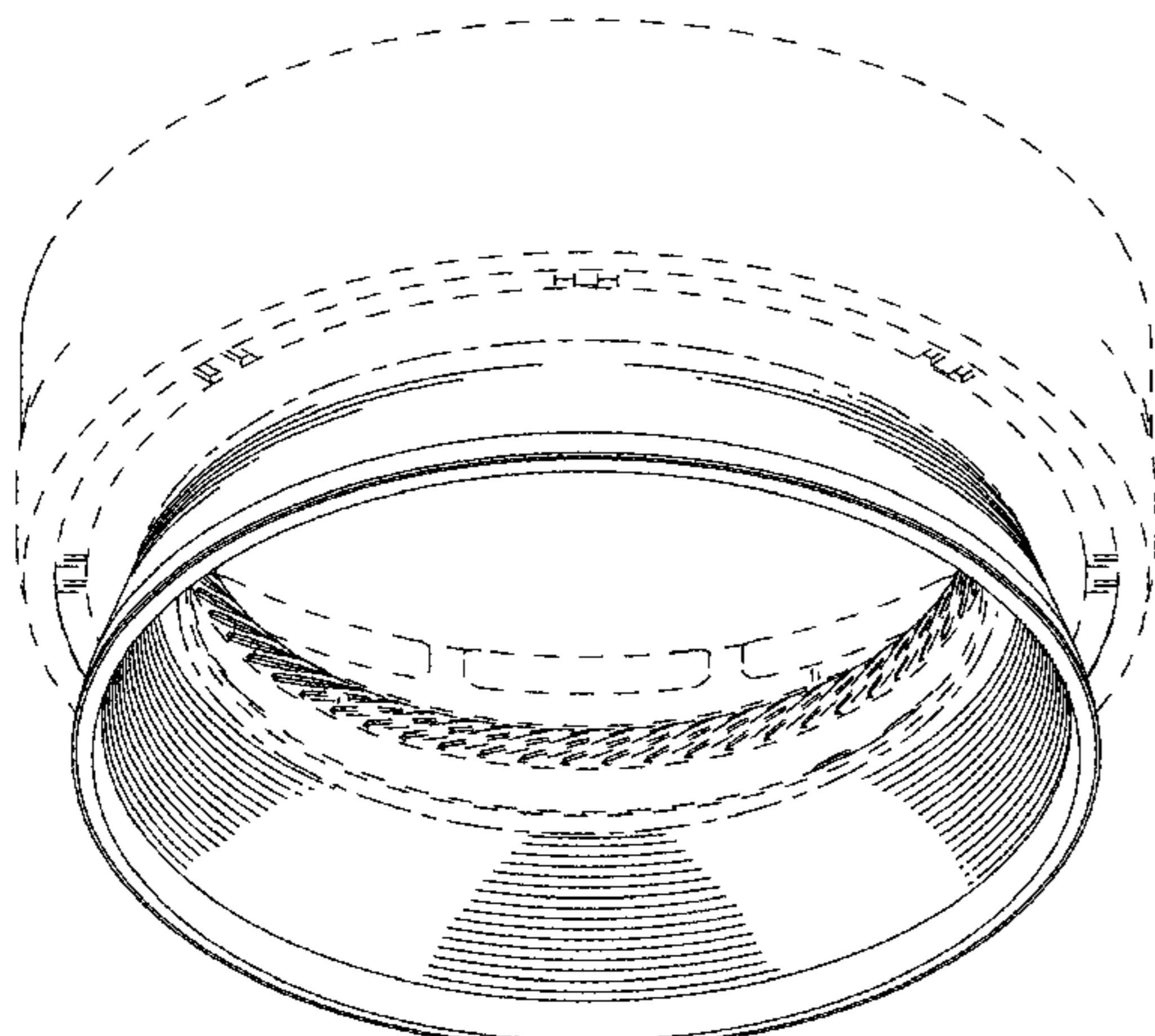
FIG. 5 is a bottom view thereof;

FIG. 6 is a sectional view thereof taken along line 6-6 of FIG. 4; and,

FIG. 7 is a partial detail view thereof taken along line 7-7 of FIG. 2.

The broken lines shown in the drawings illustrate portions of the seal that form no part of the claimed design. The broken lines shown in FIG. 7 illustrate the borders of the partial view and form no part of the claim. The dash-dot-dash

(Continued)



# US D865,134 S

Page 2

broken lines shown in the drawings depict boundaries of the claim that form no part of the claim.

## 1 Claim, 7 Drawing Sheets

(56)

## References Cited

### U.S. PATENT DOCUMENTS

7,140,618 B2 11/2006 Valls, Jr.  
D551,336 S 9/2007 Haggkvist  
D562,737 S 2/2008 Fujita  
D595,835 S \* 7/2009 Fu ..... D23/411  
D598,561 S \* 8/2009 Vogtner ..... D24/204  
D616,966 S 6/2010 Angell  
D631,066 S 1/2011 Itadani  
D631,142 S 1/2011 Angell  
D644,306 S \* 8/2011 Douglass, III ..... D23/269

D648,427 S 11/2011 Bowman  
D677,766 S \* 3/2013 Chen ..... D23/262  
D681,176 S 4/2013 Chacko  
D697,180 S 1/2014 van de Klippe  
D700,682 S \* 3/2014 Bayyouk ..... D23/233  
D710,977 S \* 8/2014 Chen ..... D23/259  
D728,758 S 5/2015 Coronado  
D733,263 S 6/2015 Fujii  
D748,228 S 1/2016 Bayyouk  
D792,637 S \* 7/2017 Godlewski ..... D26/118  
D802,104 S \* 11/2017 Nagahamaya ..... D23/269  
D833,581 S \* 11/2018 Atwell ..... D23/259  
10,208,861 B2 \* 2/2019 Hamamoto ..... F16J 15/32  
2013/0323103 A1 \* 12/2013 Shreve ..... F04B 1/0448  
417/437  
2014/0054864 A1 \* 2/2014 Kohl ..... F16J 15/32  
277/549  
2017/0122438 A1 \* 5/2017 Hamamoto ..... F16J 15/32  
2018/0209546 A1 \* 7/2018 Nagahamaya ..... F16J 15/3204

\* cited by examiner

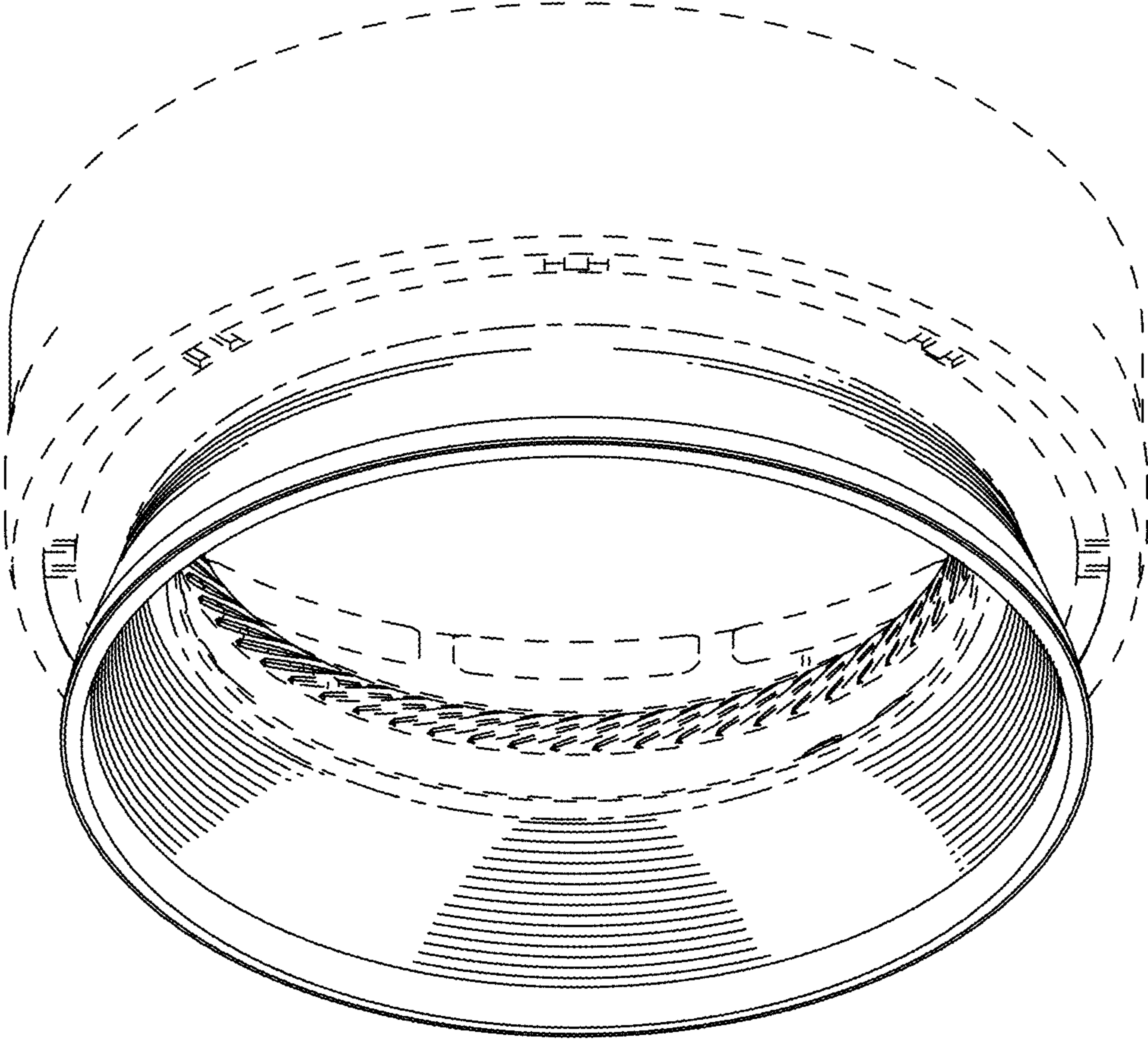


FIG. 1

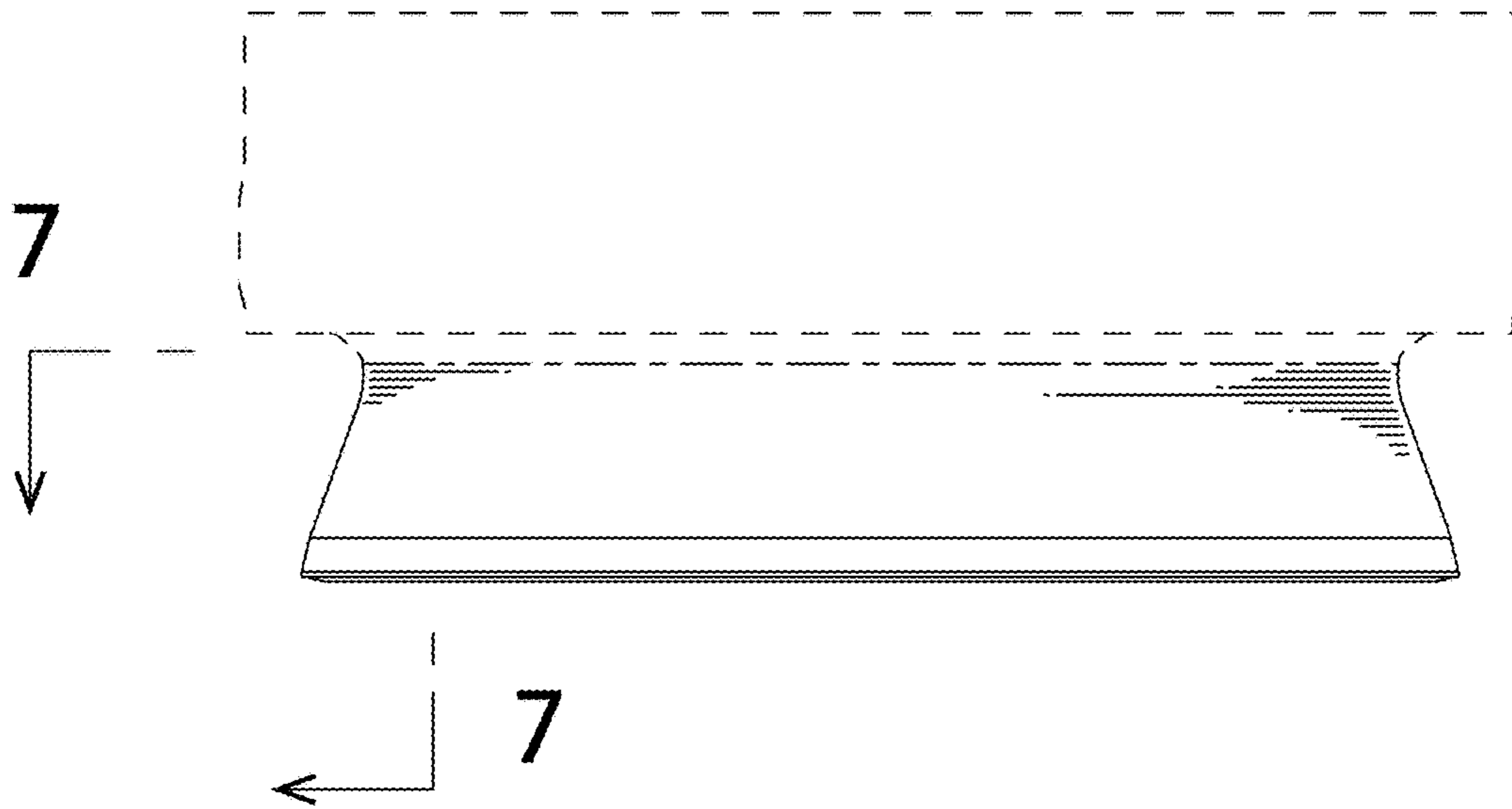


FIG. 2

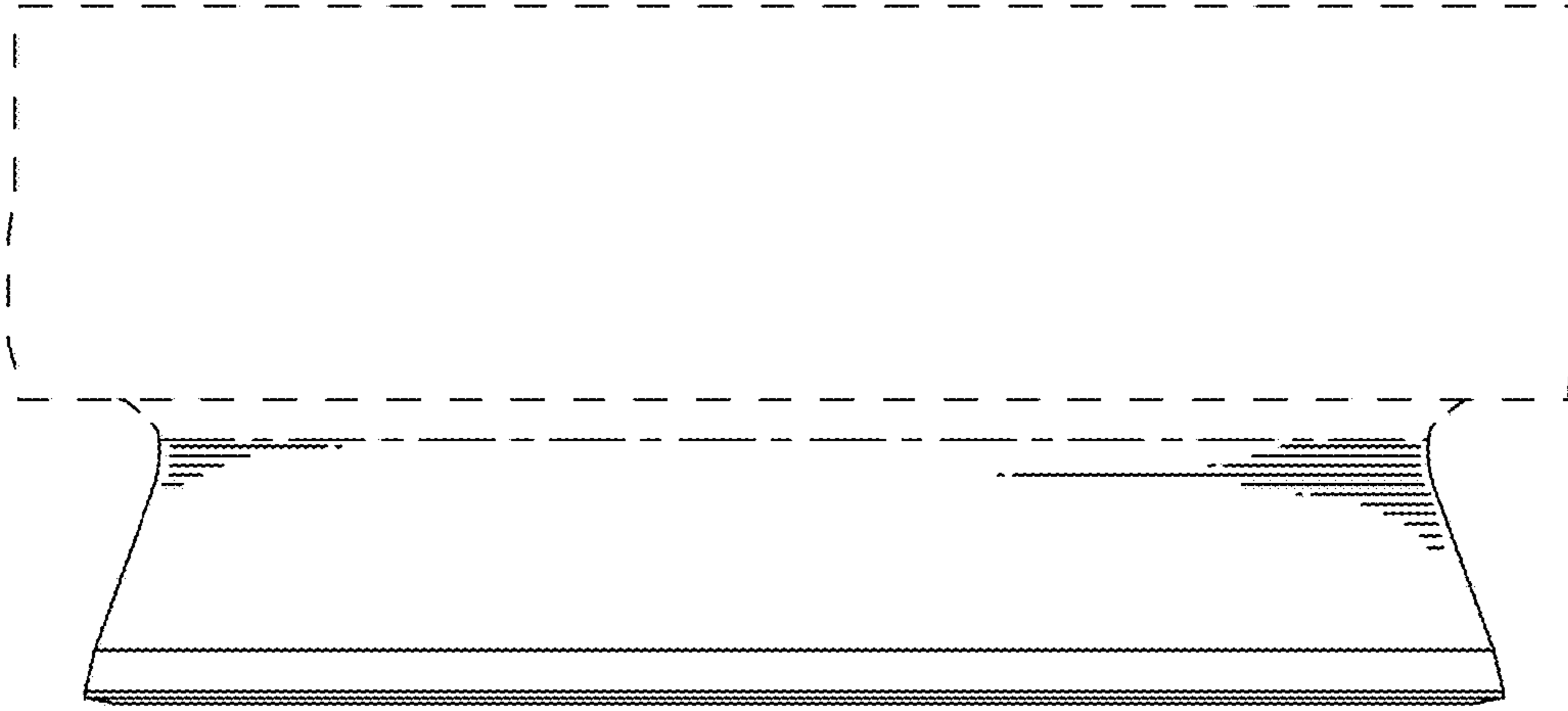


FIG. 3



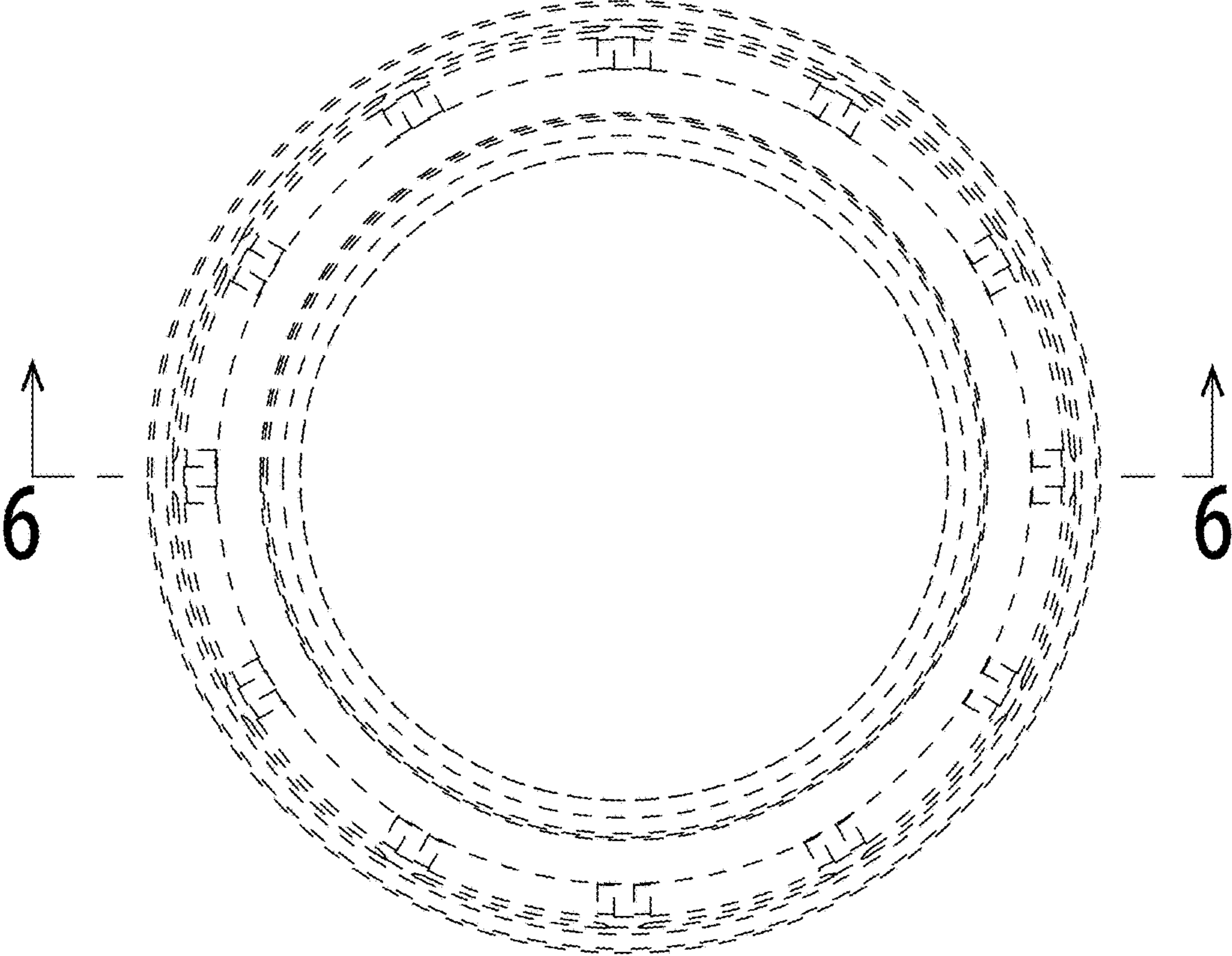


FIG. 4

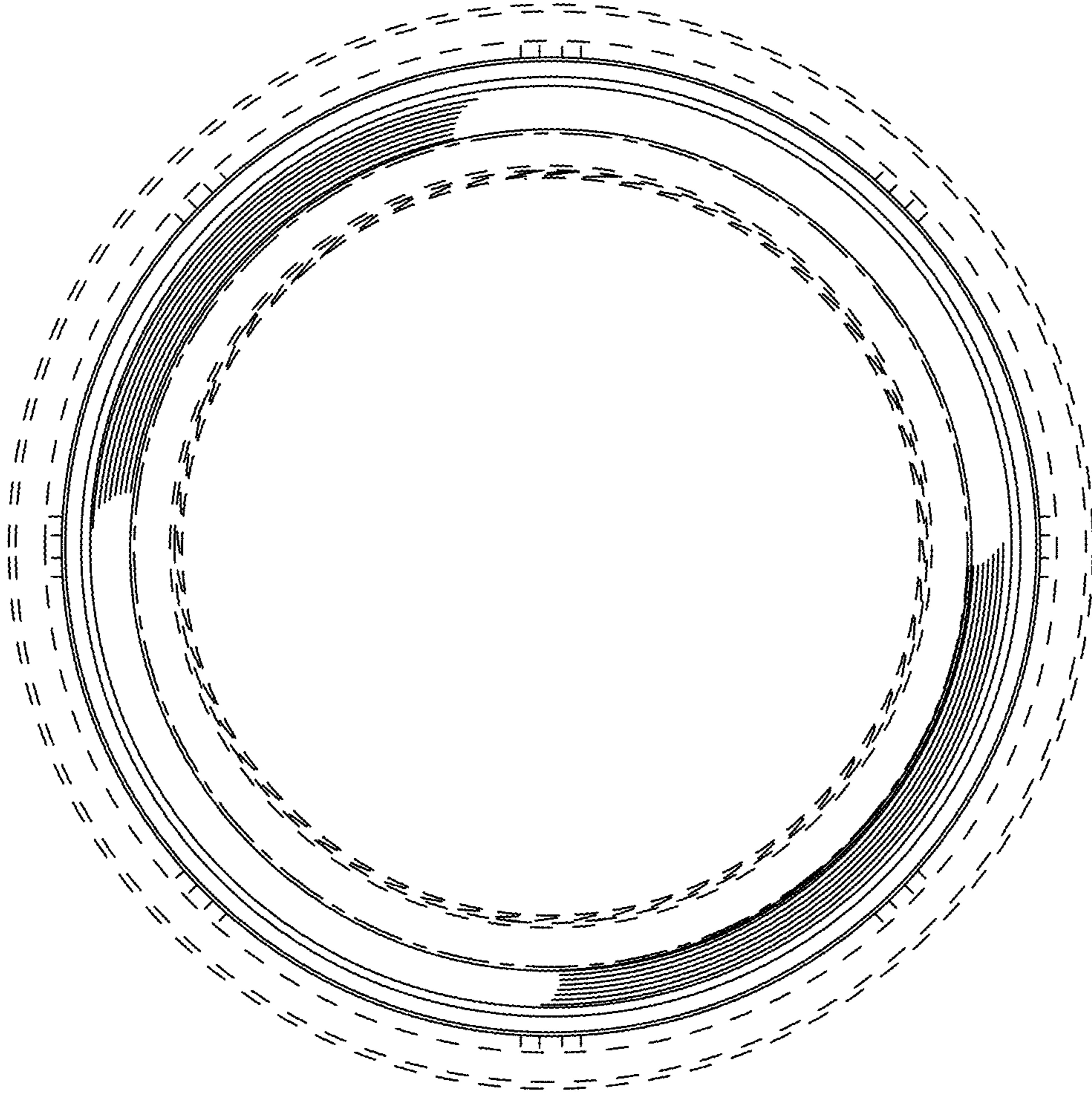


FIG. 5

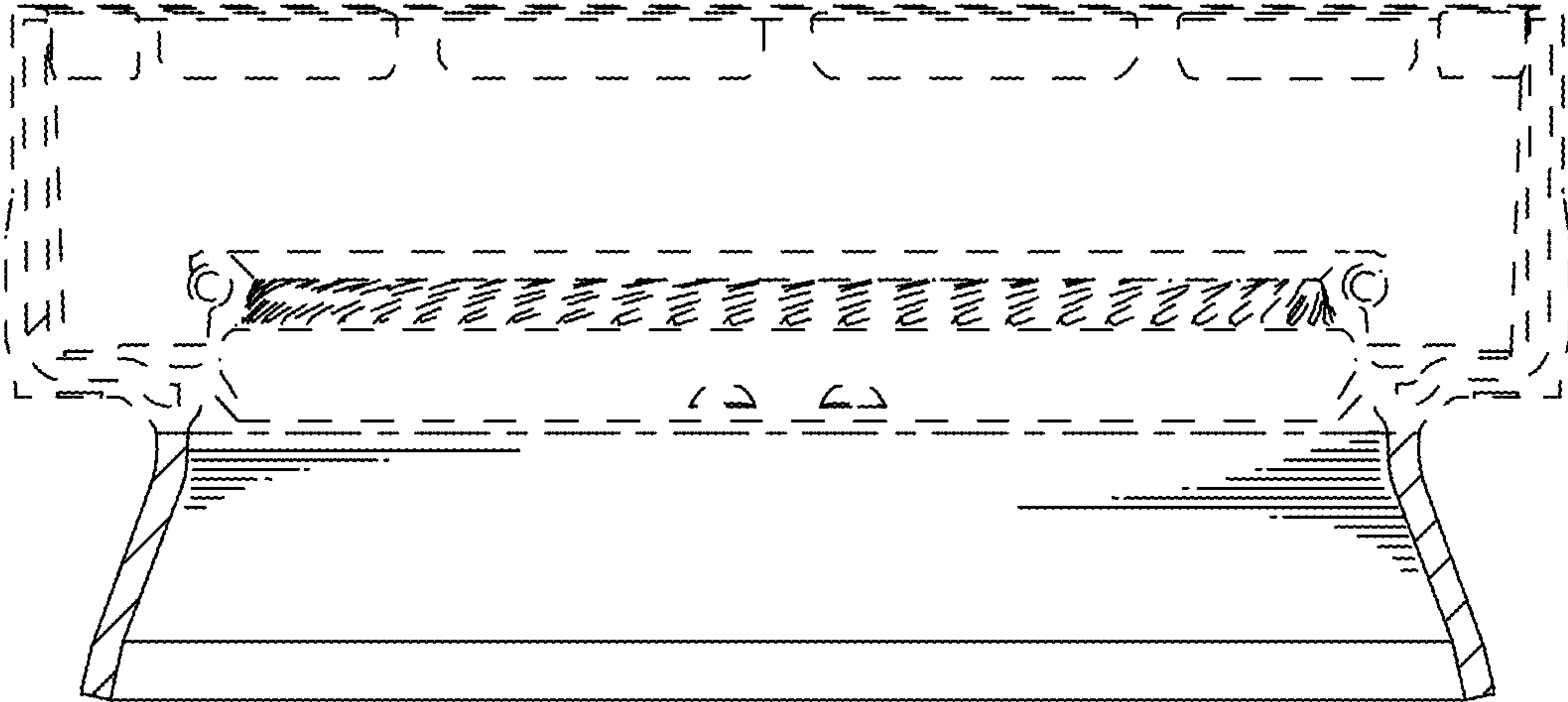


FIG. 6



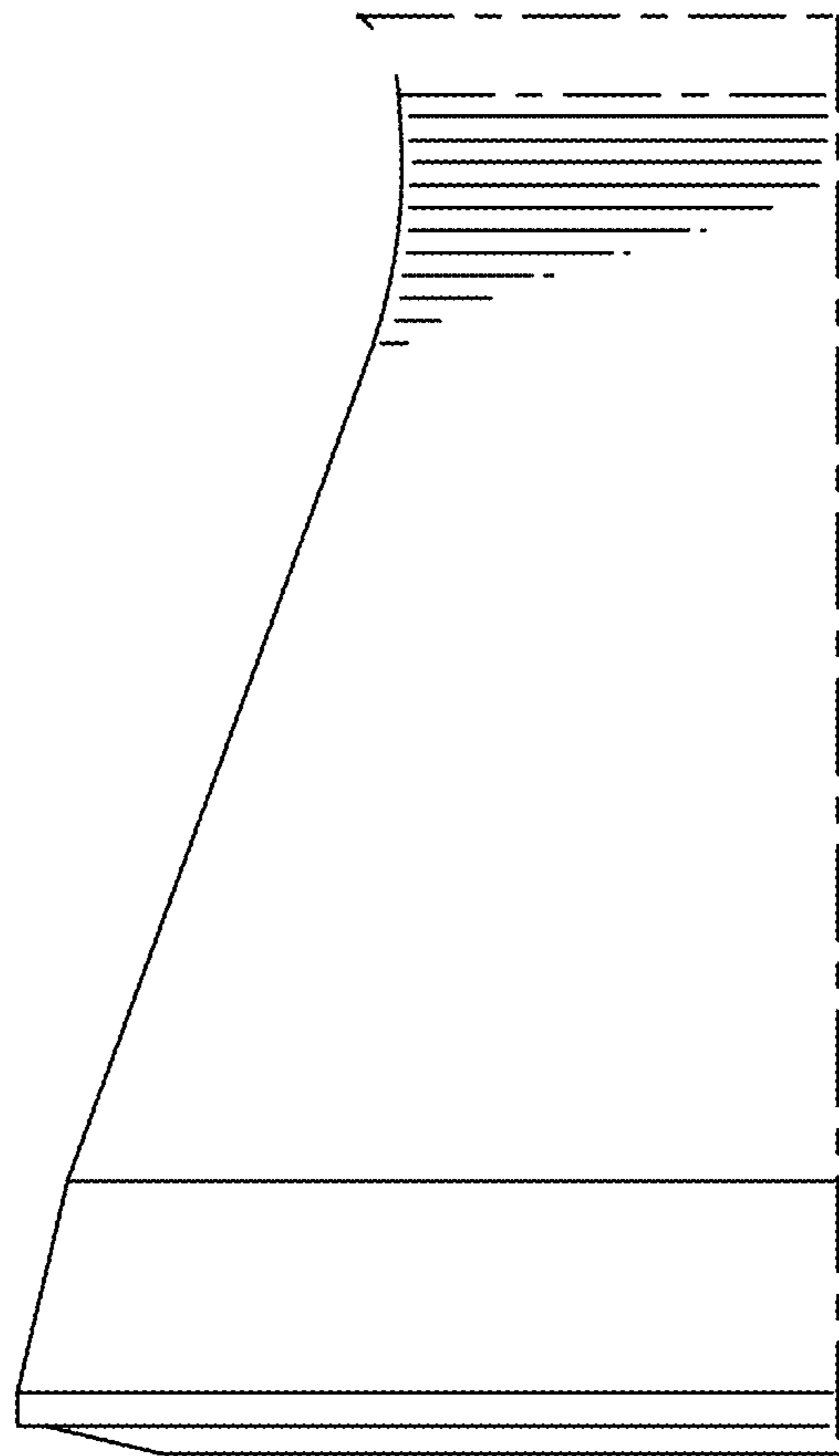


FIG. 7