



US00D865133S

(12) **United States Design Patent** (10) **Patent No.:** **US D865,133 S**  
**Hoogendoorn et al.** (45) **Date of Patent:** **\*\* Oct. 29, 2019**

(54) **SPOUT**  
(71) Applicant: **Phoenix Industries Pty Ltd.,**  
Bayswater, Victoria (AU)  
(72) Inventors: **John Henri Hoogendoorn,** Bayswater  
(AU); **Andrew John Cocks,** Bayswater  
(AU); **Ban Hsi Liu,** Bayswater (AU)

D582,009 S 12/2008 Citterio  
D601,229 S \* 9/2009 Schoenherr ..... D23/255  
D618,765 S 6/2010 Wang  
D635,221 S 3/2011 Rubin  
D659,167 S 5/2012 Cocks  
D665,479 S 8/2012 Cocks  
D685,878 S 7/2013 Fritz  
D697,588 S 1/2014 Schoenherr  
D704,304 S \* 5/2014 Schoenherr ..... D23/238  
(Continued)

(73) Assignee: **Phoenix Industries Pty Ltd.,**  
Bayswater, Victoria (AU)

**FOREIGN PATENT DOCUMENTS**

(\*\*) Term: **15 Years**

AU 308198 7/2006  
AU 308199 7/2006  
(Continued)

(21) Appl. No.: **29/662,876**

(22) Filed: **Sep. 10, 2018**

**OTHER PUBLICATIONS**

(30) **Foreign Application Priority Data**

Mar. 14, 2018 (AU) ..... 201811540

TOI Basin Mixer, Phoenix Tapware, Showers & Accessories, <http://www.phoenixtapware.com.au/products/toi-basin-mixer>, known at least as early as Oct. 25, 2016, 3 pgs.  
(Continued)

(51) **LOC (12) Cl.** ..... **23-01**

(52) **U.S. Cl.**  
USPC ..... **D23/255**

(58) **Field of Classification Search**  
USPC ..... D23/238-243, 249, 255, 257  
See application file for complete search history.

*Primary Examiner* — Robert A Delehanty  
(74) *Attorney, Agent, or Firm* — Womble Bond Dickinson  
(US) LLP

(57) **CLAIM**

The ornamental design for a spout, as shown and described.

(56) **References Cited**

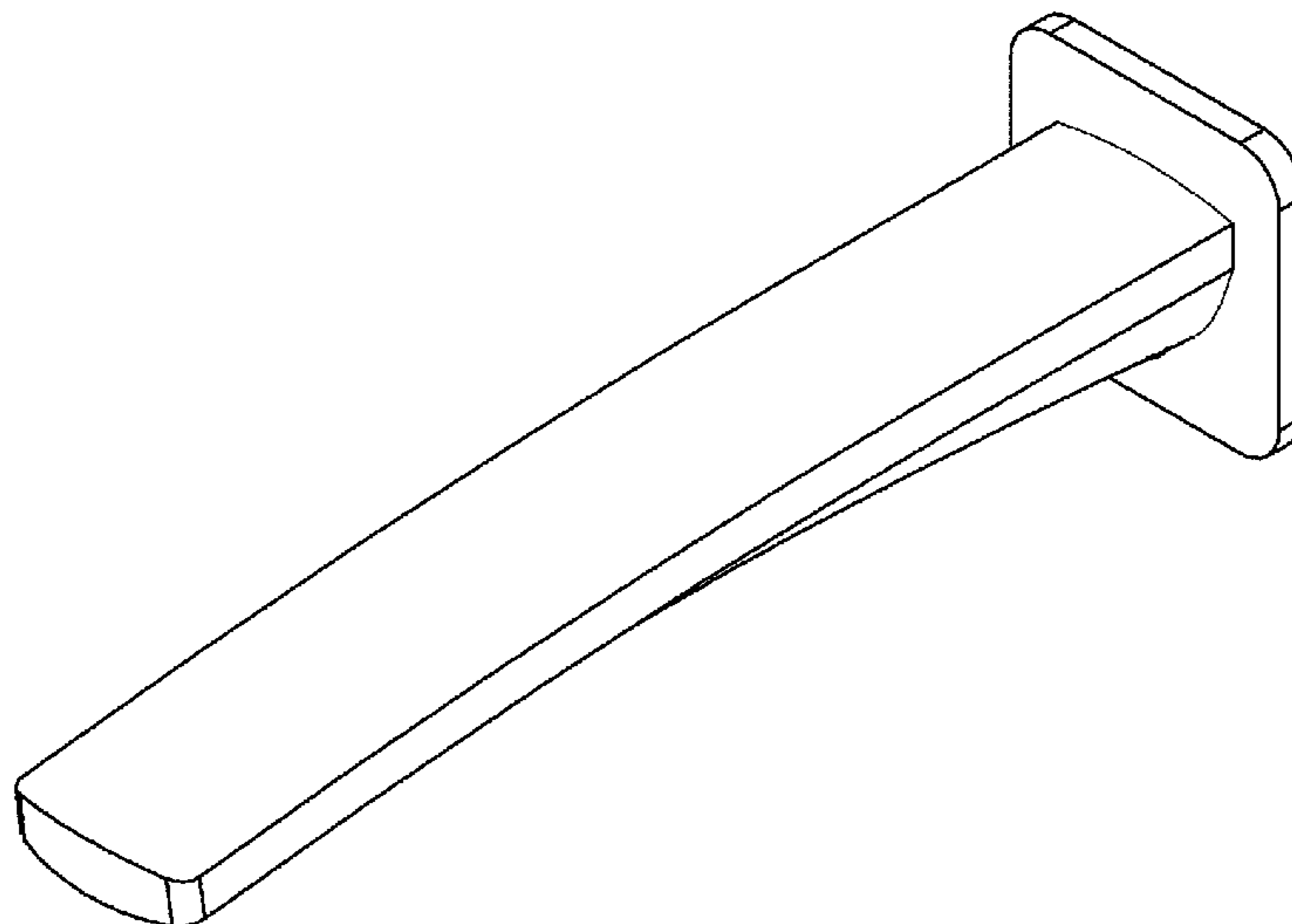
**DESCRIPTION**

**U.S. PATENT DOCUMENTS**

D441,851 S 5/2001 Starck  
D466,979 S 12/2002 Schulz  
D481,445 S 10/2003 Haug  
D492,011 S 6/2004 Blattner  
D525,342 S 7/2006 Starck  
D532,866 S 11/2006 Kirar  
D533,924 S 12/2006 Kirar  
D575,848 S 8/2008 Kirar  
D577,418 S 9/2008 Lammel  
D580,525 S 11/2008 Citterio

FIG. 1 is a front top right perspective view of a spout incorporating our new design;  
FIG. 2 is a right side view thereof, the left side view being a mirror image thereof;  
FIG. 3 is a front view thereof;  
FIG. 4 is a top view thereof; and,  
FIG. 5 is a bottom view thereof.

**1 Claim, 3 Drawing Sheets**



(56)

References Cited

U.S. PATENT DOCUMENTS

D708,714 S	7/2014	Georgeson	AU	314560	6/2007
D737,936 S	9/2015	Pony	AU	314563	6/2007
D739,501 S	9/2015	Flowers	AU	321286	10/2008
D740,395 S	10/2015	Flowers	AU	328364	11/2009
D757,223 S	5/2016	Schoenherr	AU	328365	11/2009
D757,225 S	5/2016	Schoenherr	AU	334096	12/2010
D757,903 S	5/2016	Schoenherr	AU	336356	5/2011
D767,733 S *	9/2016	Hong ..... D23/255	AU	336357	5/2011
D787,020 S	5/2017	Ziemann	AU	337781	7/2011
D791,919 S	7/2017	Schoenherr	AU	337782	7/2011
D799,642 S	10/2017	Sieger	AU	344493	9/2012
D802,101 S	11/2017	Kirar	AU	344494	9/2012
D810,244 S *	2/2018	Schoenherr ..... D23/255	AU	350490	8/2013
D811,528 S *	2/2018	Schoenherr ..... D23/238	AU	355991	6/2014
D811,531 S	2/2018	Schoenherr	AU	355992	6/2014
D813,986 S	3/2018	Schoenherr	AU	355993	6/2014
D813,988 S	3/2018	Schoenherr	AU	355994	6/2014
D828,511 S	9/2018	Liu et al.	AU	357542	9/2014
D828,512 S	9/2018	Liu et al.	AU	357840	9/2014
D828,515 S *	9/2018	Seum ..... D23/242	AU	357842	9/2014
D828,516 S	9/2018	Liu et al.	AU	357843	9/2014
D828,909 S	9/2018	Liu et al.			
D831,164 S *	10/2018	Garuti ..... D23/255			
D846,077 S	4/2019	Liu			
D846,701 S	4/2019	Liu			
D846,702 S	4/2019	Liu			
2016/0265201 A1	9/2016	Hoogendoorn et al.			

FOREIGN PATENT DOCUMENTS

AU	308201	7/2006
AU	308202	7/2006

OTHER PUBLICATIONS

TOI Wall Basin/Bath Mixer Set, <http://www.phoenixtapware.com.au/toi-wall-basin-mixer-set180mm>, known at least as early as Oct. 25, 2016, 3 pgs.  
 TOI Sink Mixer Squareline, Phoenix Tapware, Showers & Accessories, <http://www.phoenixtapware.com.au/toi-sink-mixer-180mm-squareline>, known at least as early as Oct. 25, 2016, 3 pgs.

\* cited by examiner

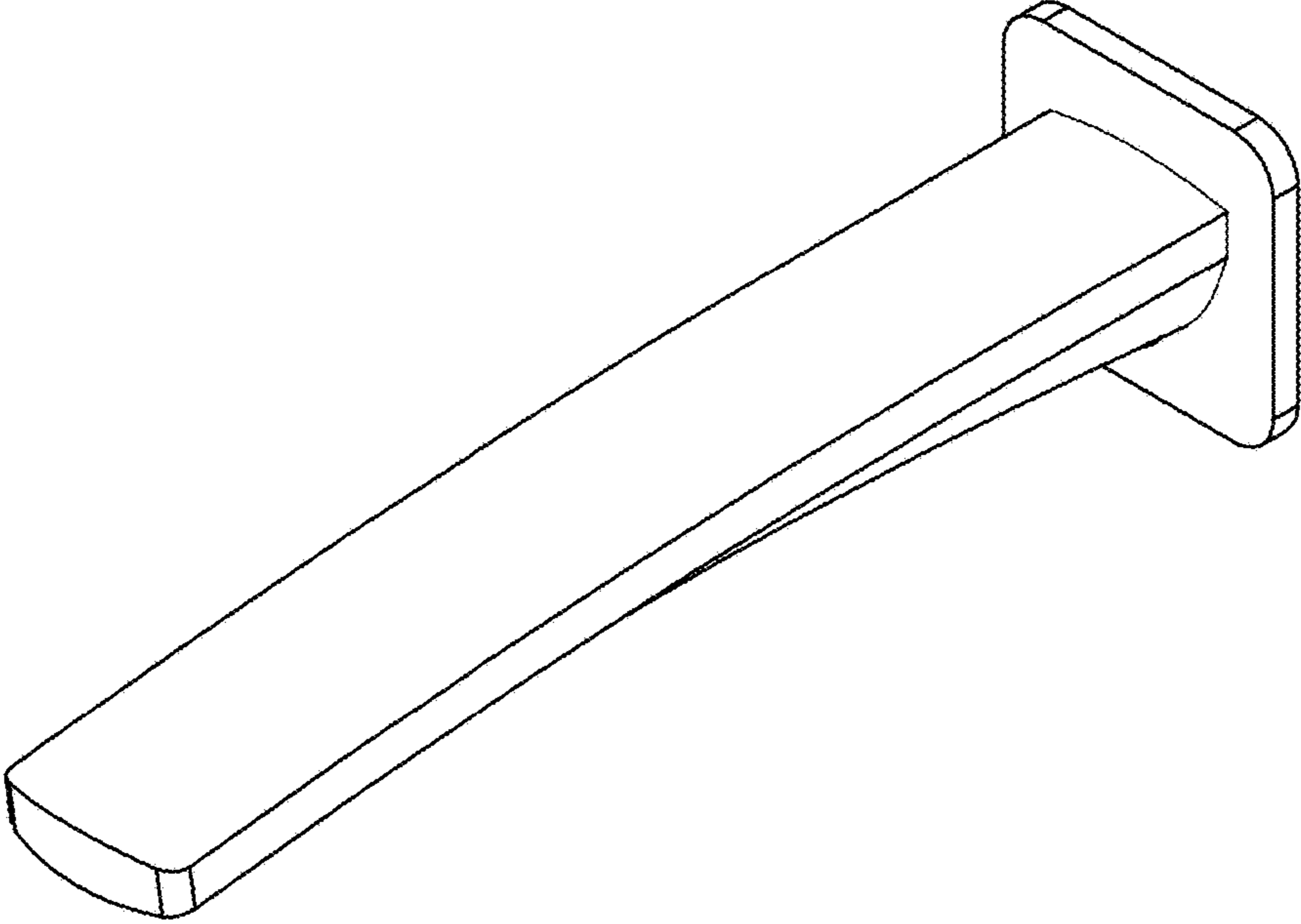


FIG 1

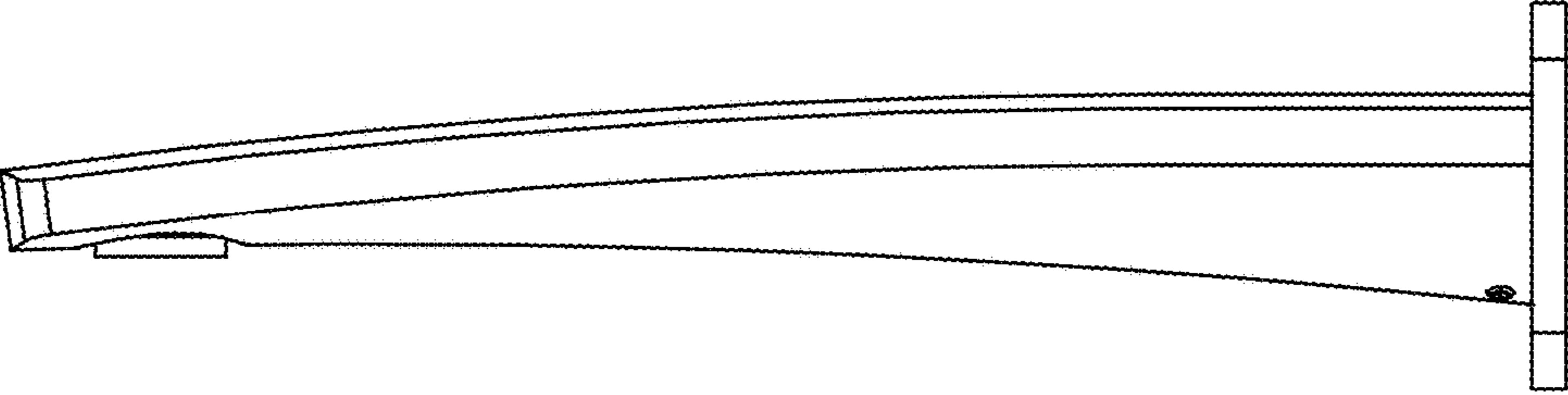


FIG 2

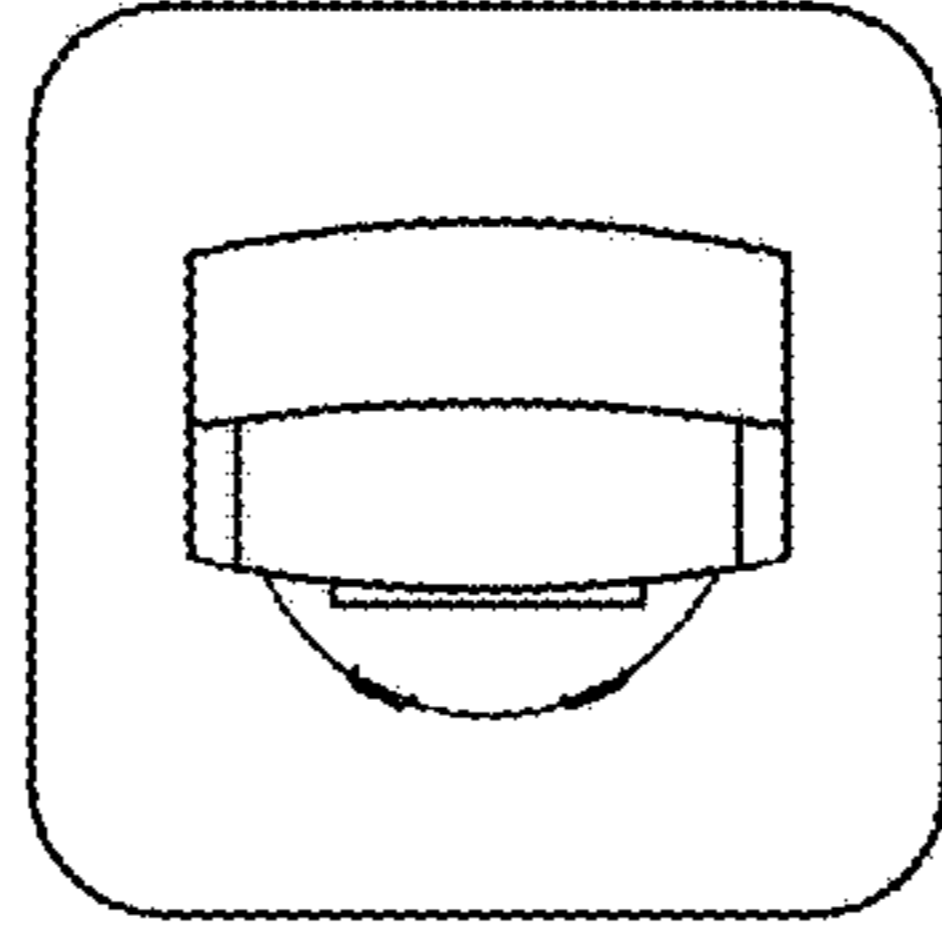


FIG 3

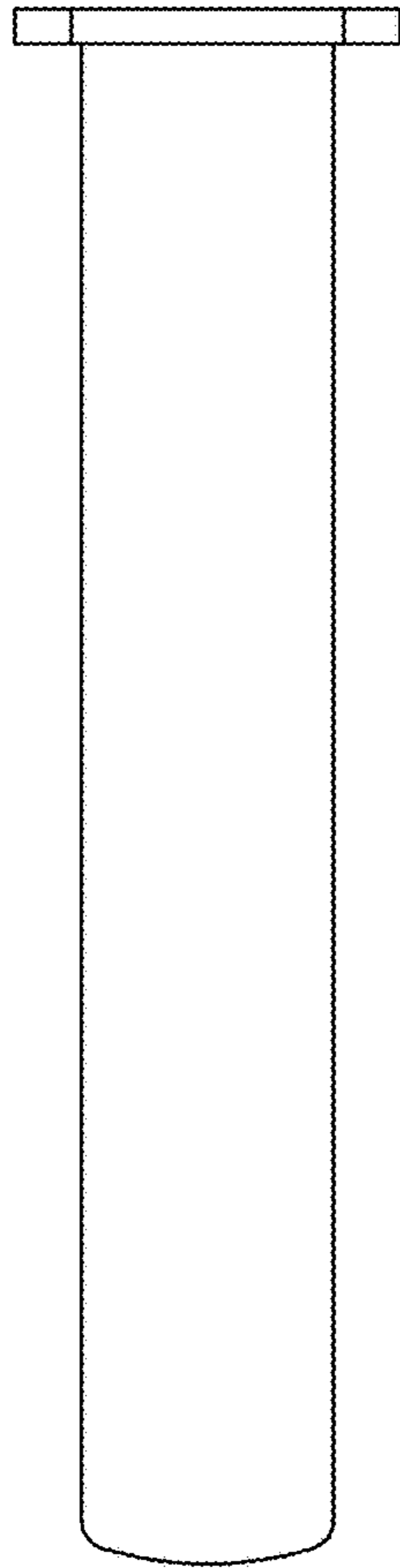


FIG 4

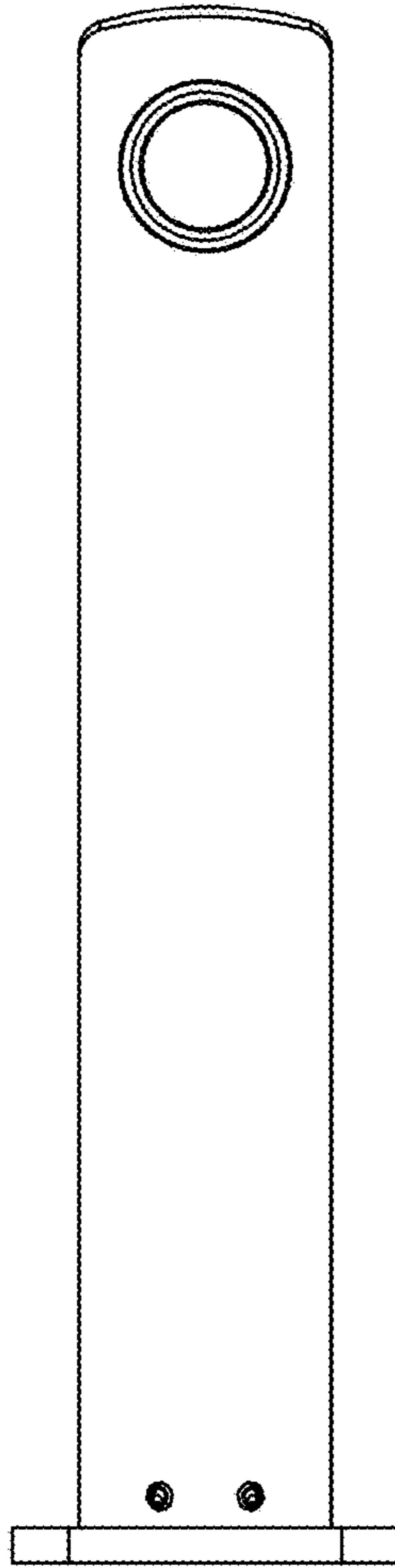


FIG 5