

US00D865132S

(12) **United States Design Patent** (10) **Patent No.:** **US D865,132 S**
Hoogendoorn et al. (45) **Date of Patent:** **** Oct. 29, 2019**

(54) **MIXER TAP**

(71) Applicant: **Phoenix Industries Pty Ltd.**,
Bayswater, Victoria (AU)

(72) Inventors: **John Henri Hoogendoorn**, Bayswater
(AU); **Andrew John Cocks**, Bayswater
(AU); **Ban Hsi Liu**, Bayswater (AU)

(73) Assignee: **Phoenix Industries Pty Ltd.**,
Bayswater, Victoria (AU)

(**) Term: **15 Years**

(21) Appl. No.: **29/662,877**

(22) Filed: **Sep. 10, 2018**

(30) **Foreign Application Priority Data**

Mar. 14, 2018 (AU) 201811542

(51) **LOC (12) Cl.** **23-01**

(52) **U.S. Cl.**
USPC **D23/254; D23/252**

(58) **Field of Classification Search**
USPC **D23/238-243, 249, 250-252, 254;**
D8/305, 307-308

See application file for complete search history.

(56) **References Cited**

U.S. PATENT DOCUMENTS

D441,851 S	5/2001	Starck
D466,979 S	12/2002	Shulz
D481,445 S	10/2003	Haug
D492,011 S	6/2004	Blattner
D525,342 S	7/2006	Starck
D532,866 S	11/2006	Kirar
D533,924 S	12/2006	Kirar
D575,848 S	8/2008	Kirar
D577,418 S	9/2008	Lammel
D580,525 S	11/2008	Citterio

D582,009 S	12/2008	Citterio
D618,765 S	6/2010	Wang
D635,221 S	3/2011	Rubin
D659,167 S	5/2012	Cocks
D665,479 S	8/2012	Cocks
D685,878 S	7/2013	Fritz
D697,588 S	1/2014	Schoenherr
D708,714 S	7/2014	Georgeson

(Continued)

FOREIGN PATENT DOCUMENTS

AU	308198	7/2006
AU	308199	7/2006

(Continued)

OTHER PUBLICATIONS

TOI Basin Mixer, Phoenix Tapware, Showers & Accessories, <http://www.phoenixtapware.com.au/products/toi-basin-mixer>, known at least as early as Oct. 25, 2016, 3 pgs.

(Continued)

Primary Examiner — Robert A Delehanty

(74) *Attorney, Agent, or Firm* — Womble Bond Dickinson
(US) LLP

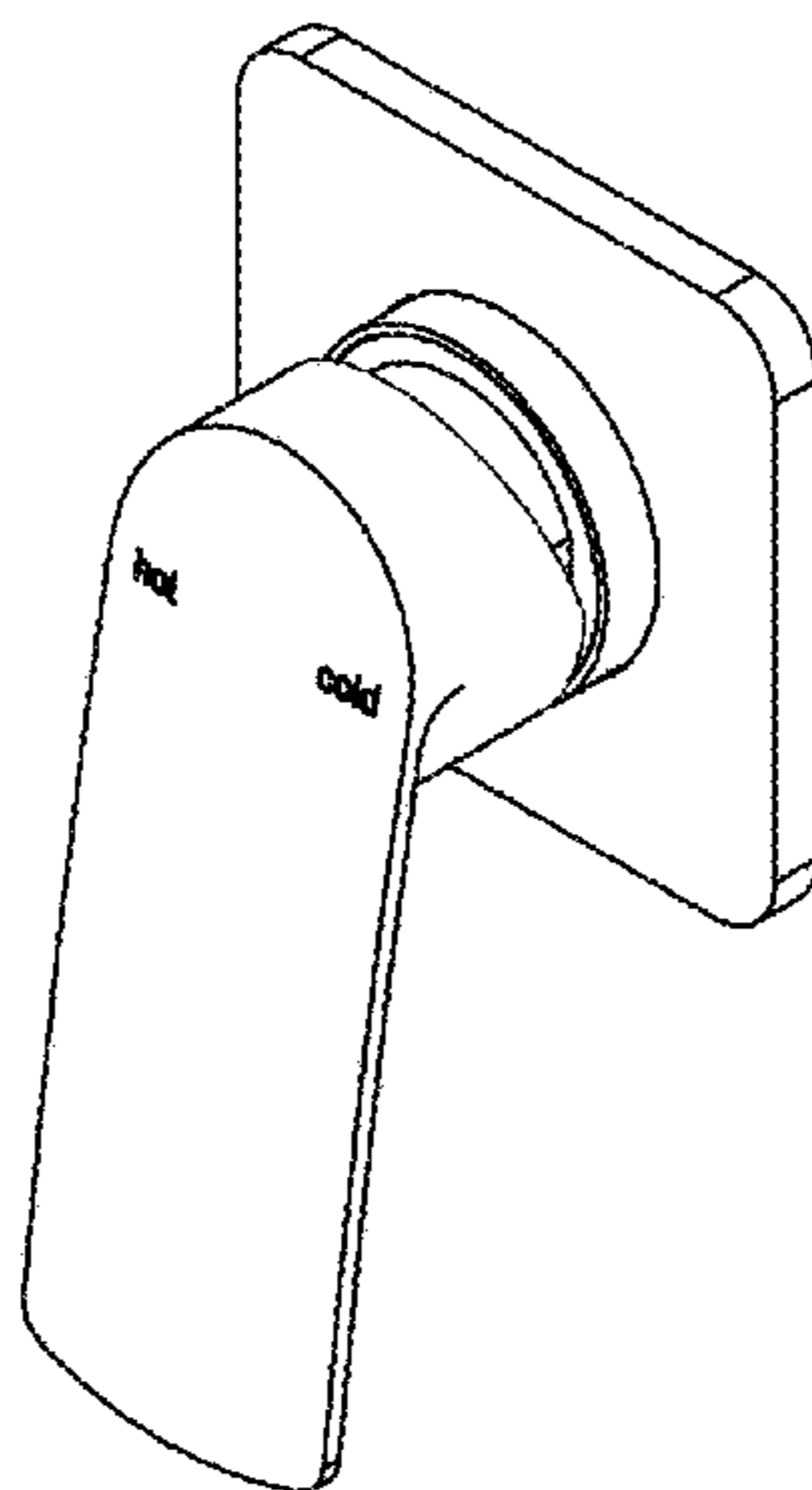
(57) **CLAIM**

The ornamental design for a mixer tap, as shown and described.

DESCRIPTION

FIG. 1 is a front top right perspective view of a mixer tap incorporating our new design;
FIG. 2 is a front view thereof;
FIG. 3 is a right side view thereof, the left side view being a mirror image thereof;
FIG. 4 is a top view thereof; and,
FIG. 5 is a bottom view thereof.

1 Claim, 3 Drawing Sheets



(56)

References Cited

U.S. PATENT DOCUMENTS

			AU	314563	6/2007
			AU	321286	10/2008
			AU	328364	11/2009
			AU	328365	11/2009
			AU	334096	12/2010
			AU	336356	5/2011
			AU	336357	5/2011
			AU	337781	7/2011
			AU	337782	7/2011
			AU	344493	9/2012
			AU	344494	9/2012
			AU	350490	8/2013
			AU	355991	6/2014
			AU	355992	6/2014
			AU	355993	6/2014
			AU	355994	6/2014
			AU	357542	9/2014
			AU	357840	9/2014
			AU	357842	9/2014
			AU	357843	9/2014
D737,936	S	9/2015	Pony		
D739,501	S	9/2015	Flowers		
D740,395	S	10/2015	Flowers		
D757,223	S	5/2016	Schoenherr		
D757,225	S	5/2016	Schoenherr		
D757,903	S	5/2016	Schoenherr		
D787,020	S	5/2017	Ziemann		
D791,919	S	7/2017	Schoenherr		
D799,641	S *	10/2017	Sieger	D23/238	
D799,642	S	10/2017	Sieger		
D802,101	S	11/2017	Kirar		
D811,528	S *	2/2018	Schoenherr	D23/238	
D811,531	S	2/2018	Schoenherr		
D813,986	S	3/2018	Schoenherr		
D813,988	S	3/2018	Schoenherr		
D828,511	S	9/2018	Liu et al.		
D828,512	S	9/2018	Liu et al.		
D828,516	S	9/2018	Liu et al.		
D828,909	S	9/2018	Liu et al.		
D846,077	S	4/2019	Liu		
D846,701	S	4/2019	Liu		
D846,702	S	4/2019	Liu		
2016/0265201	A1	9/2016	Hoogendoorn et al.		

FOREIGN PATENT DOCUMENTS

AU	308201	7/2006
AU	308202	7/2006
AU	314560	6/2007

OTHER PUBLICATIONS

TOI Wall Basin/Bath Mixer Set, <http://www.phoenixtapware.com.au/toi-wall-basin-mixer-set180mm>, known at least as early Oct. 25, 2016, 3 pgs.
 TOI Sink Mixer Squareline, Phoenix Tapware, Showers & Accessories, <http://www.phoenixtapware.com.au/toi-sink-mixer-180mm-squareline>, known at least as early as Oct. 25, 2016, 3 pgs.

* cited by examiner

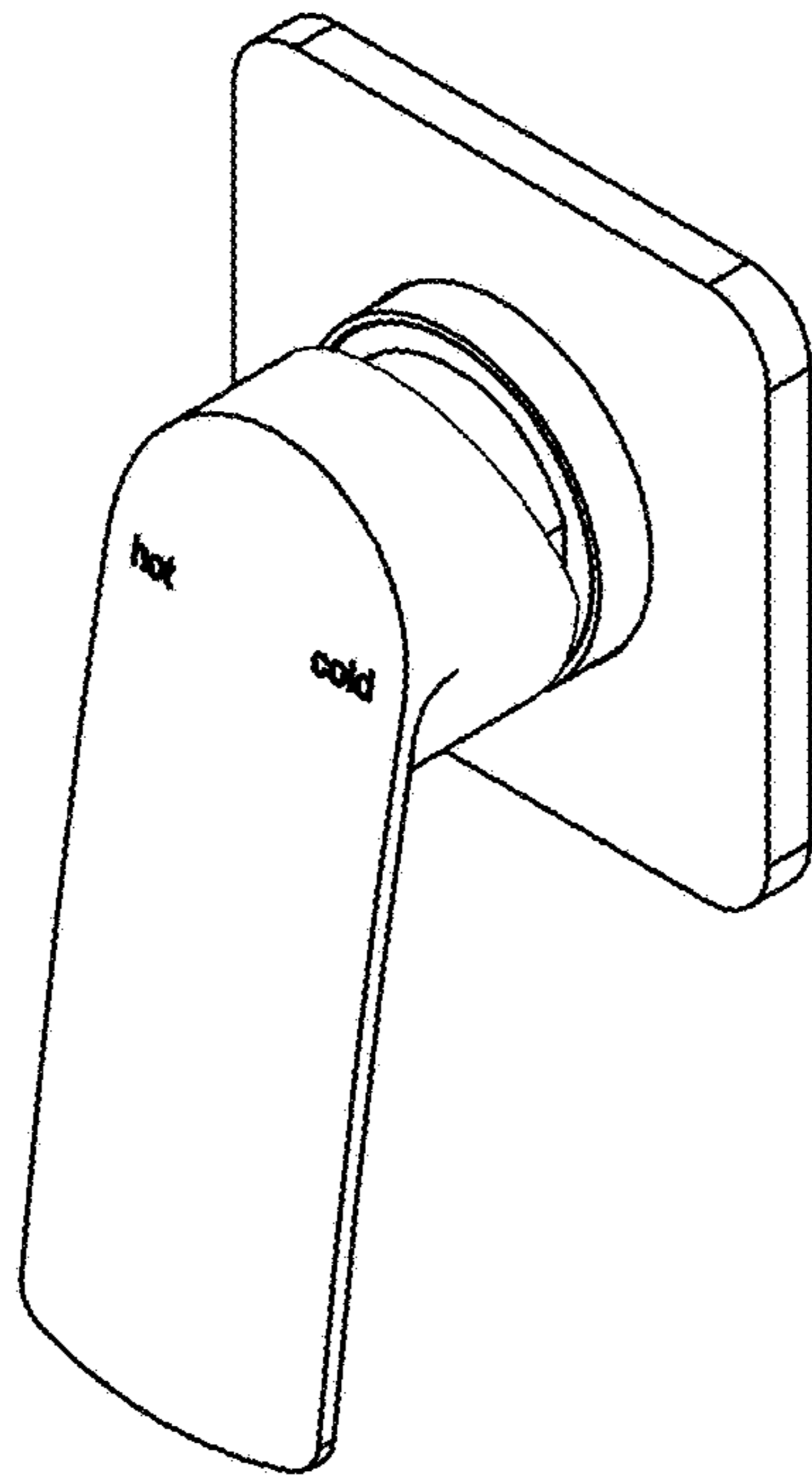


FIG 1

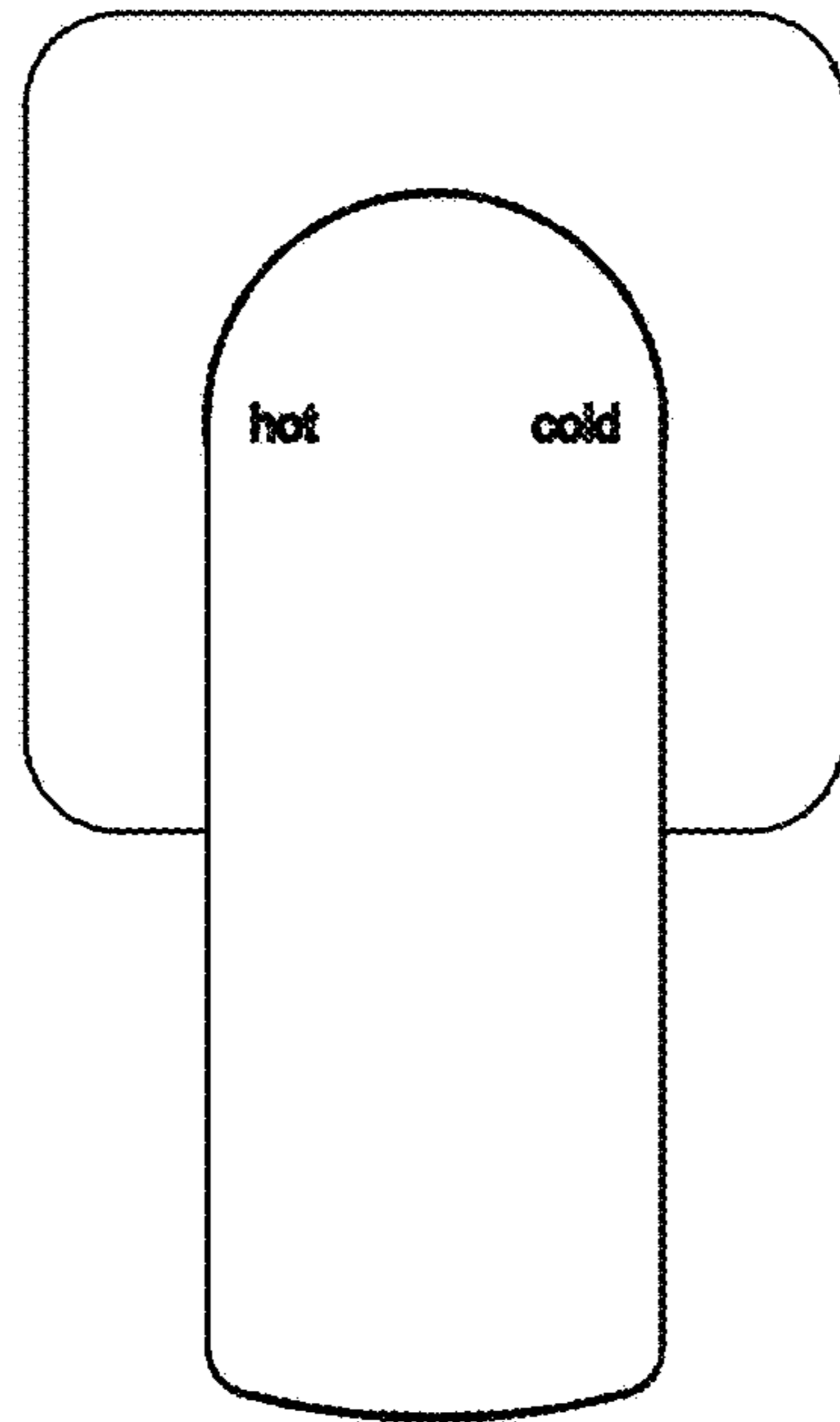


FIG 2

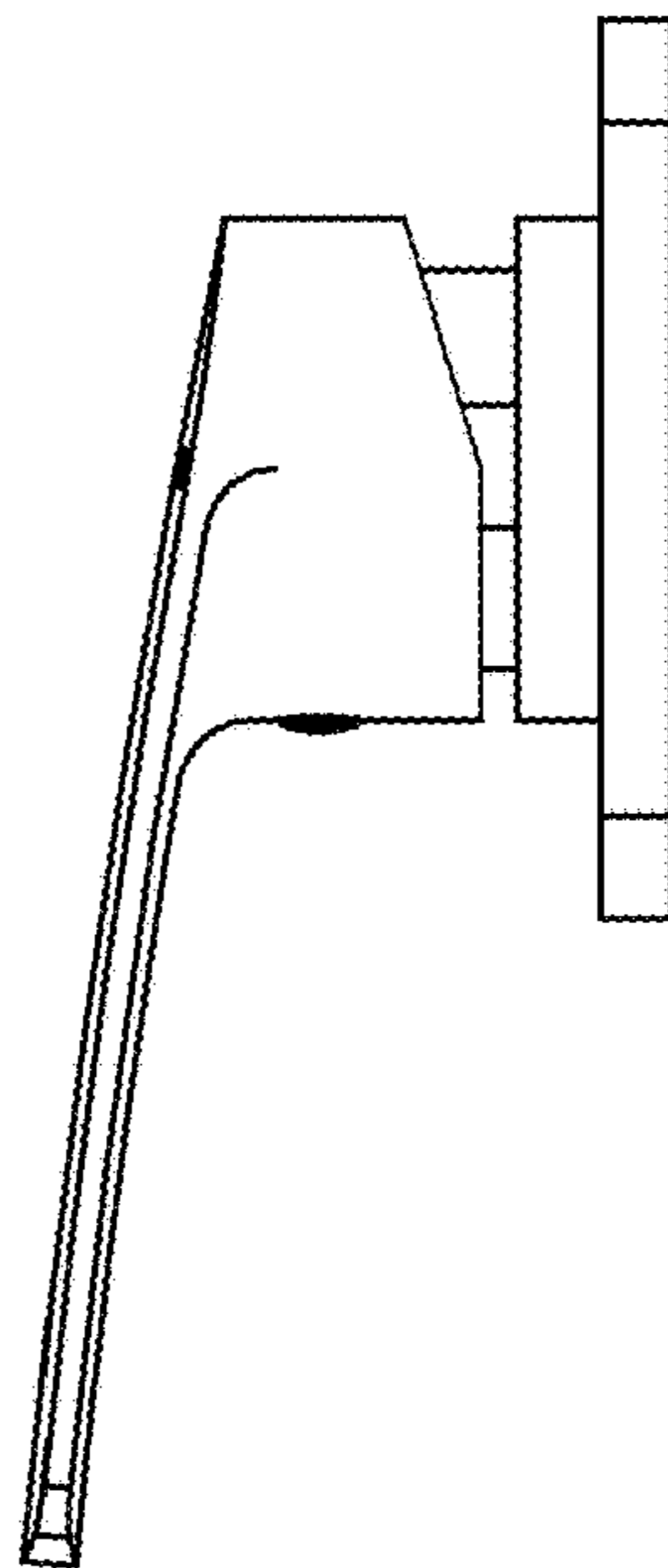


FIG 3

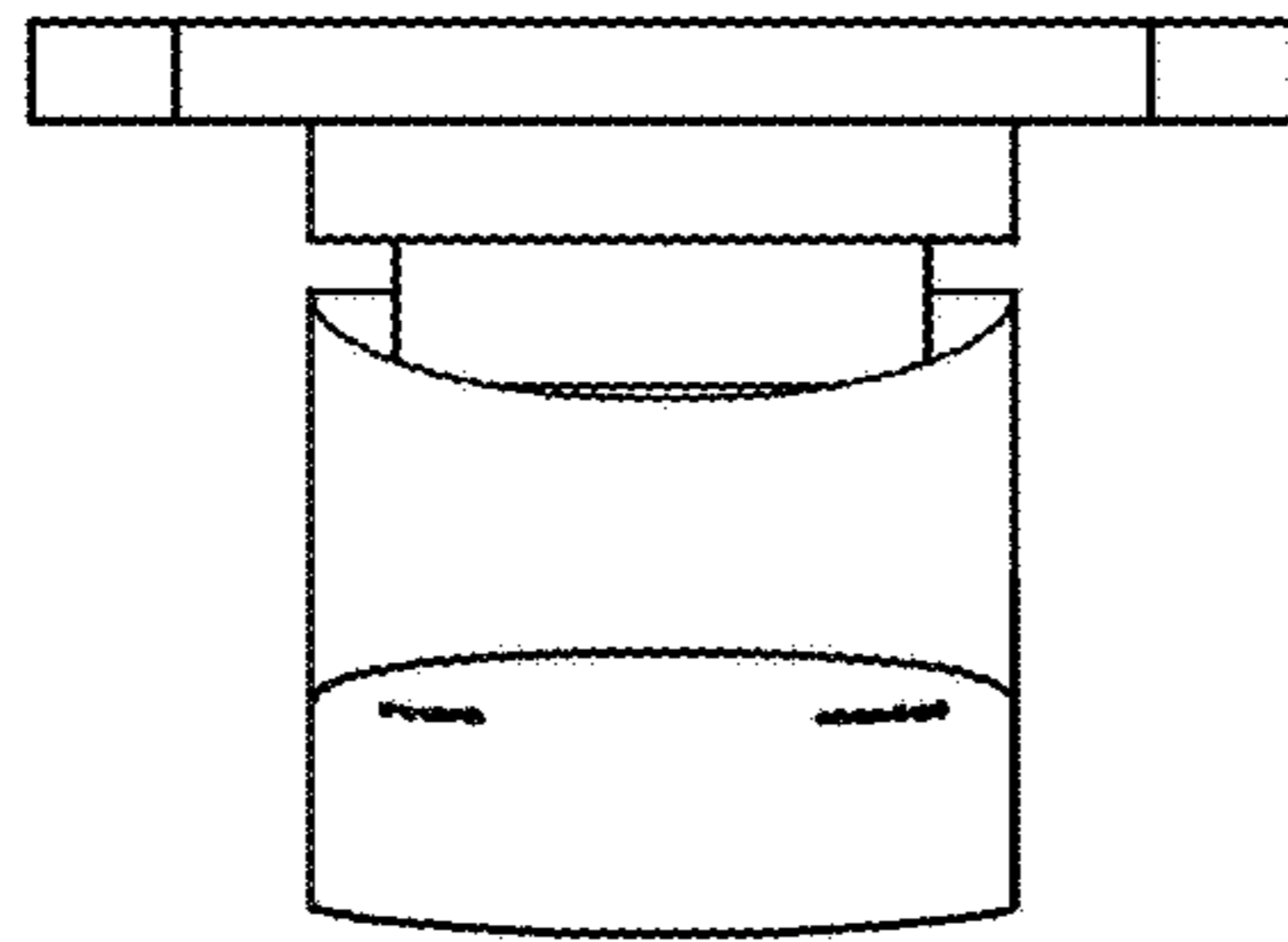


FIG 4

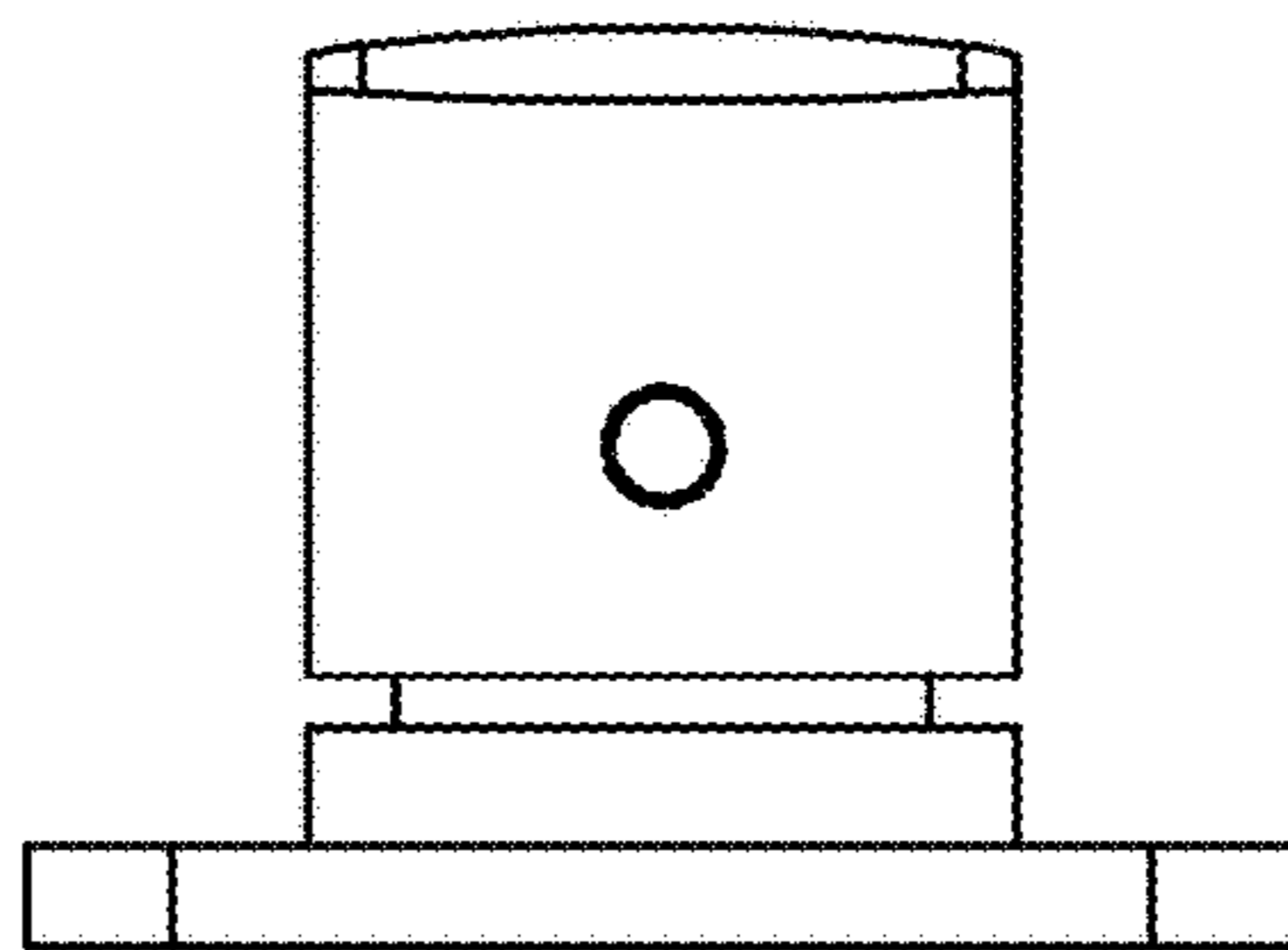


FIG 5