

US00D865131S

(12) **United States Design Patent**  
**Eads**

(10) **Patent No.:** **US D865,131 S**

(45) **Date of Patent:** **\*\* Oct. 29, 2019**

(54) **FAUCET HANDLE**

(71) Applicant: **DELTA FAUCET COMPANY,**  
Indianapolis, IN (US)

(72) Inventor: **Thad Eads,** Urbana, IN (US)

(73) Assignee: **DELTA FAUCET COMPANY,**  
Indianapolis, IN (US)

(\*\*) Term: **15 Years**

(21) Appl. No.: **29/653,809**

(22) Filed: **Jun. 19, 2018**

(51) **LOC (12) Cl.** ..... **23-01**

(52) **U.S. Cl.**  
USPC ..... **D23/252**

(58) **Field of Classification Search**  
USPC ..... D23/238, 241–243, 252, 254;  
D8/307–308

CPC ..... F16K 31/60; F16K 31/602; F16K 31/605;  
F16K 31/607; E03C 1/0412

See application file for complete search history.

(56) **References Cited**

**U.S. PATENT DOCUMENTS**

D390,921 S \* 2/1998 Steffes ..... D23/250  
D550,330 S \* 9/2007 Mullenmeister ..... D23/238

D810,884 S \* 2/2018 Garland ..... D23/252  
D822,172 S \* 7/2018 Bennett ..... D23/242  
D827,783 S \* 9/2018 Garland ..... D23/254  
D828,508 S \* 9/2018 Fritz ..... D23/238

\* cited by examiner

*Primary Examiner* — Robert A Delehanty

(74) *Attorney, Agent, or Firm* — Edgar A. Zarins; Nirav  
D. Parikh

(57) **CLAIM**

The ornamental design for a faucet handle, as shown and described.

**DESCRIPTION**

FIG. 1 is a perspective view of a faucet handle showing my new design;

FIG. 2 is a rear view thereof;

FIG. 3 is a first side view thereof, the opposite side being a mirror image of the side shown;

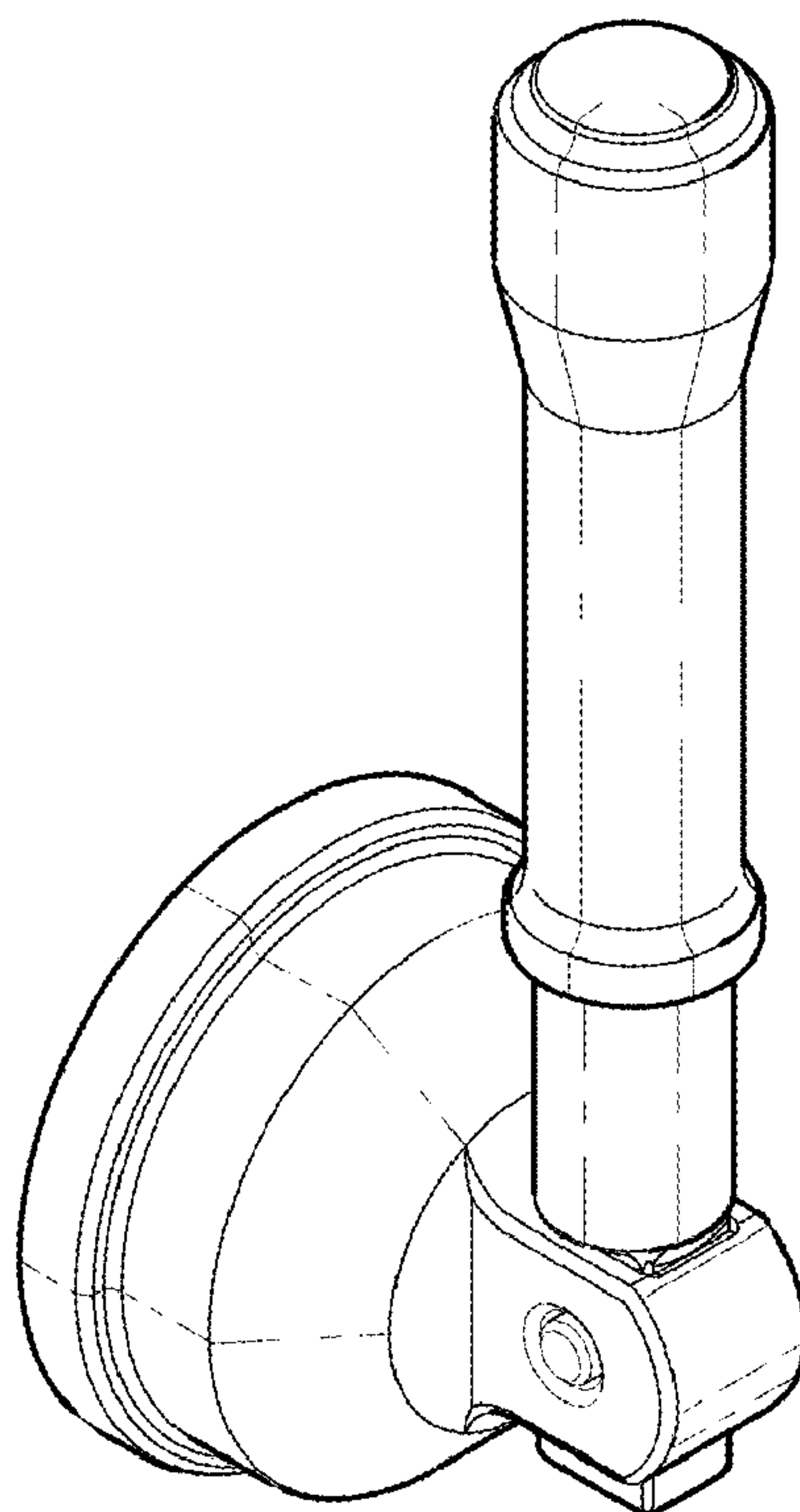
FIG. 4 is a first end view thereof;

FIG. 5 is a front view thereof; and,

FIG. 6 is a second end view thereof.

The broken-line disclosure in the views represents a portion of the faucet handle in which the claimed design is embodied, but which forms no part of the claimed design.

**1 Claim, 1 Drawing Sheet**



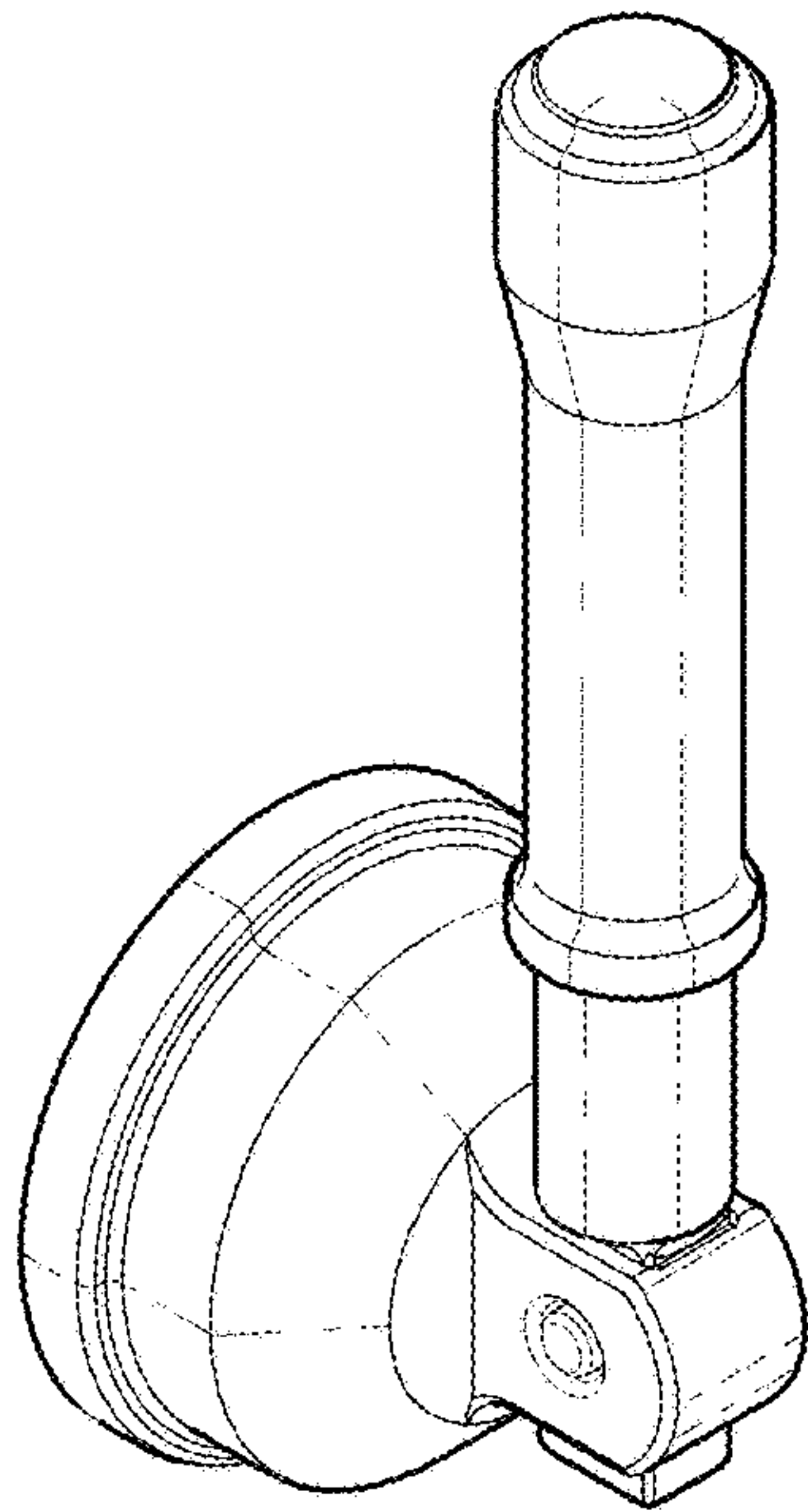


Fig-1

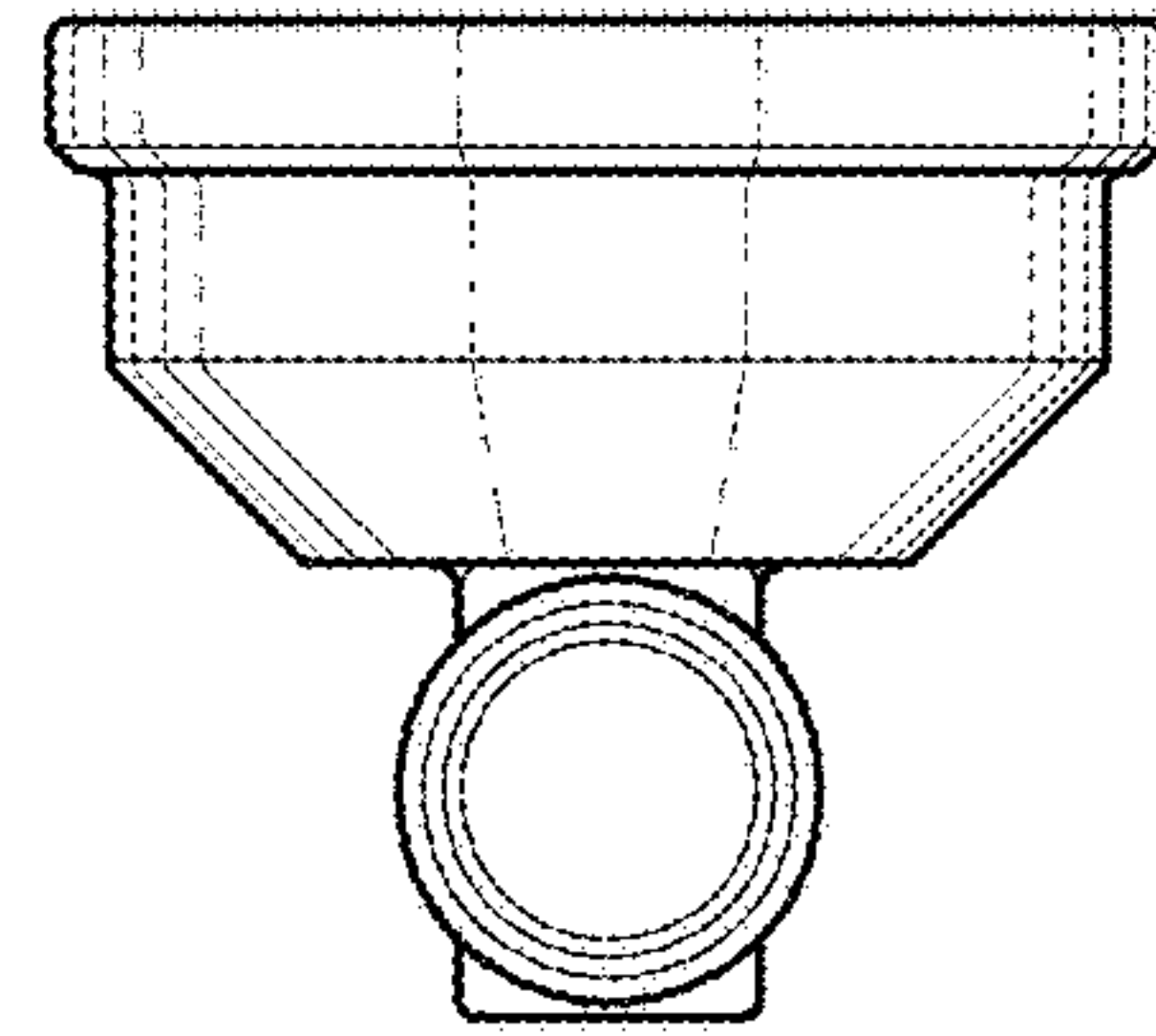


Fig-4

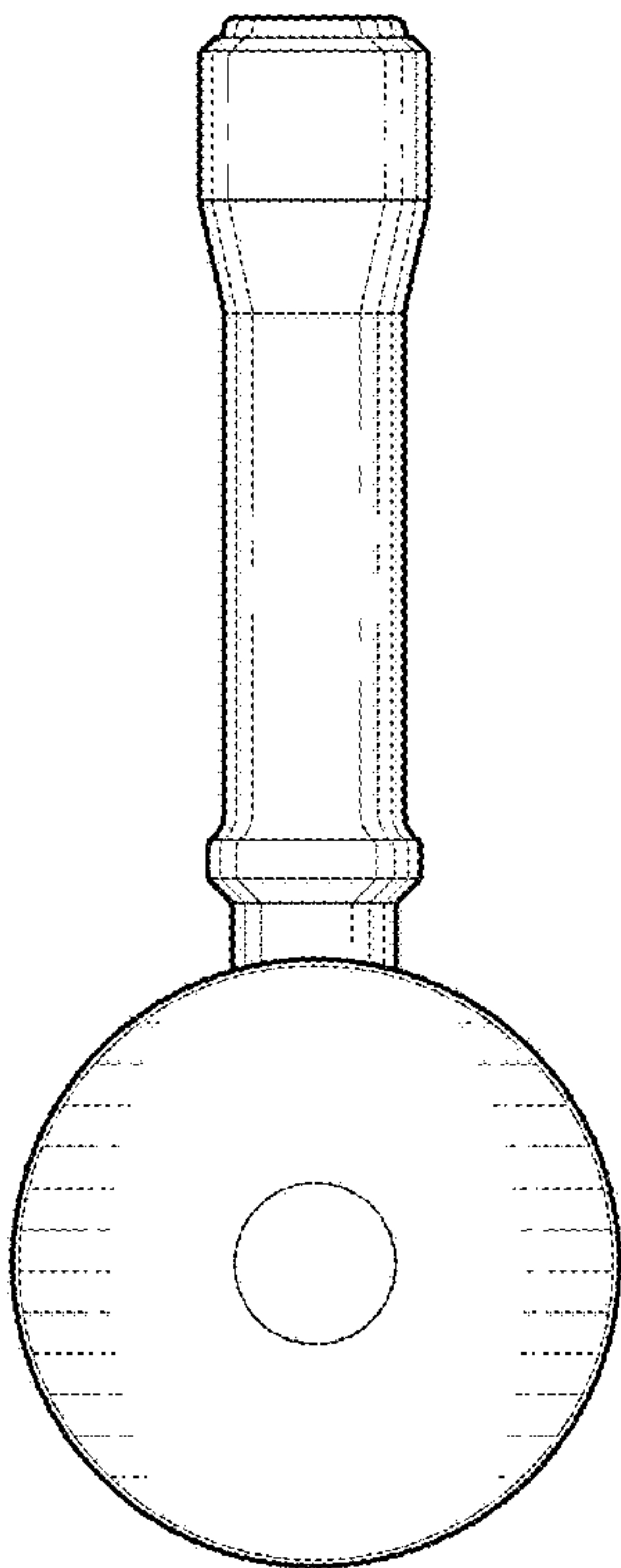


Fig-2

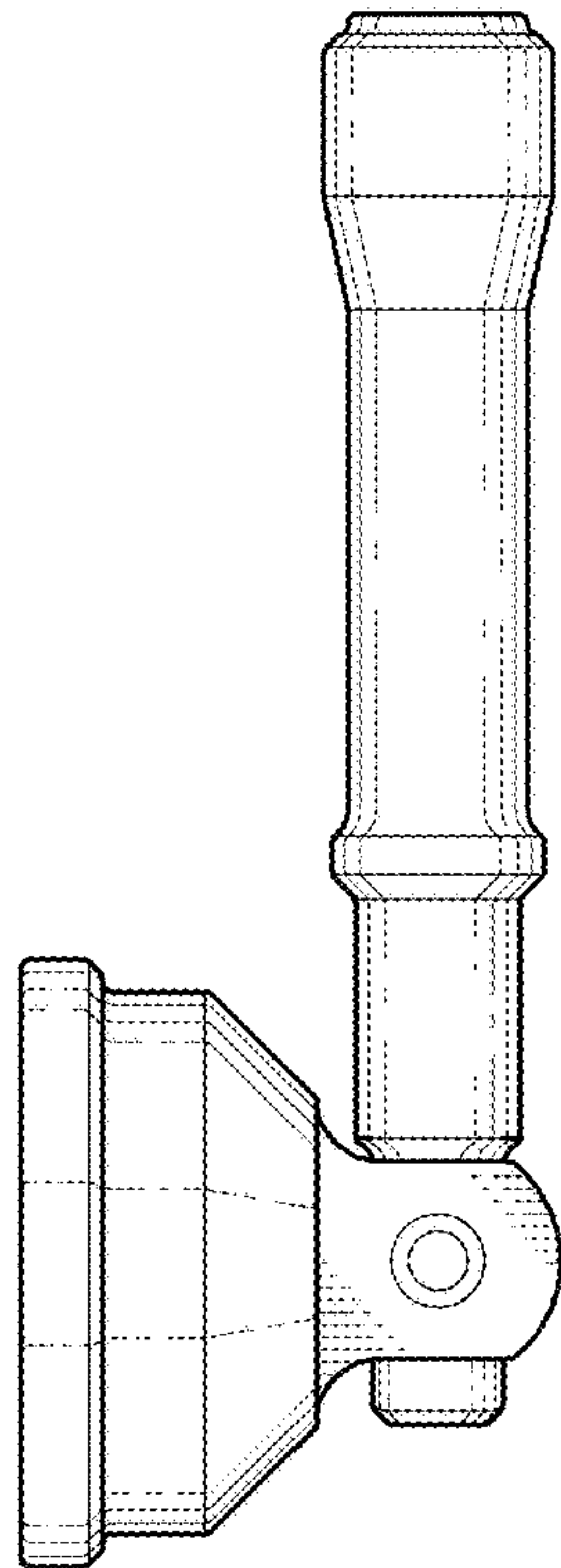


Fig-3

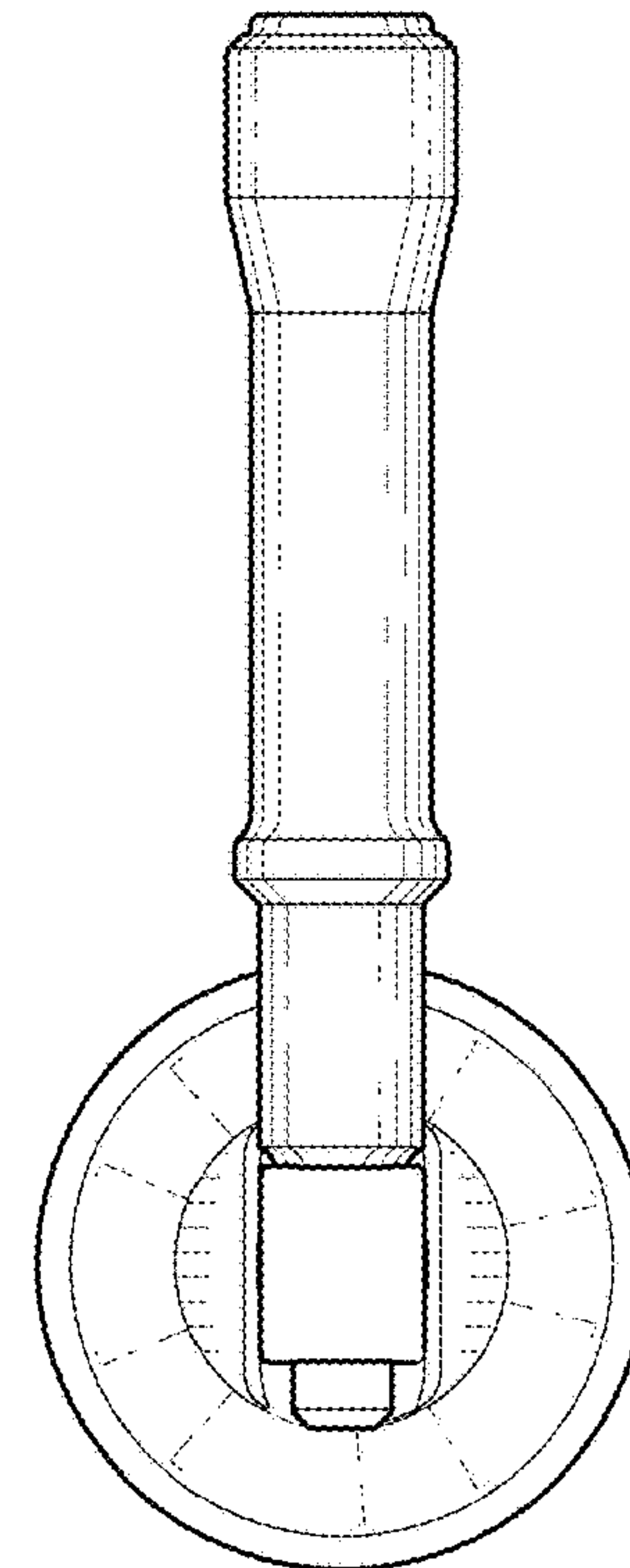


Fig-5

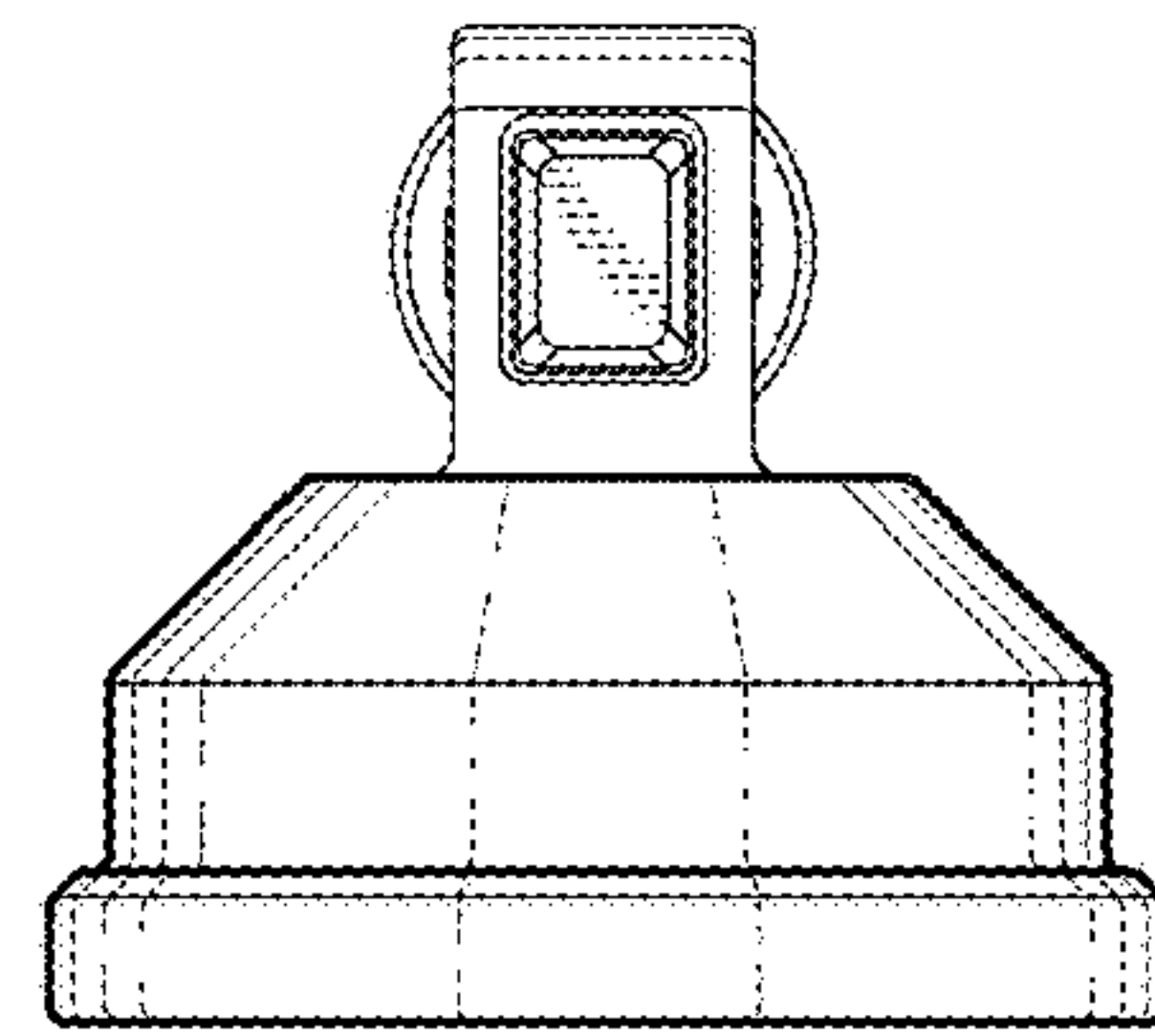


Fig-6