



US00D865130S

(12) **United States Design Patent** (10) **Patent No.:** **US D865,130 S**
Eads (45) **Date of Patent:** **** Oct. 29, 2019**

(54) **FAUCET BODY**
(71) Applicant: **DELTA FAUCET COMPANY,**
Indianapolis, IN (US)
(72) Inventor: **Thad Eads,** Urbana, IN (US)
(73) Assignee: **DELTA FAUCET COMPANY,**
Indianapolis, IN (US)

D686,300 S * 7/2013 Fritz D23/238
D786,405 S * 5/2017 Schaubach D23/238
D810,880 S * 2/2018 Bahler D23/249
D840,514 S * 2/2019 Garland D23/255

* cited by examiner

Primary Examiner — Robert A Delehanty
(74) *Attorney, Agent, or Firm* — Edgar A. Zarins; Nirav
D. Parikh

(**) Term: **15 Years**
(21) Appl. No.: **29/653,794**
(22) Filed: **Jun. 19, 2018**

(51) **LOC (12) Cl.** **23-01**
(52) **U.S. Cl.**
USPC **D23/249**
(58) **Field of Classification Search**
USPC D23/238, 241–243
See application file for complete search history.

(57) **CLAIM**

The ornamental design for a faucet body, as shown and described.

DESCRIPTION

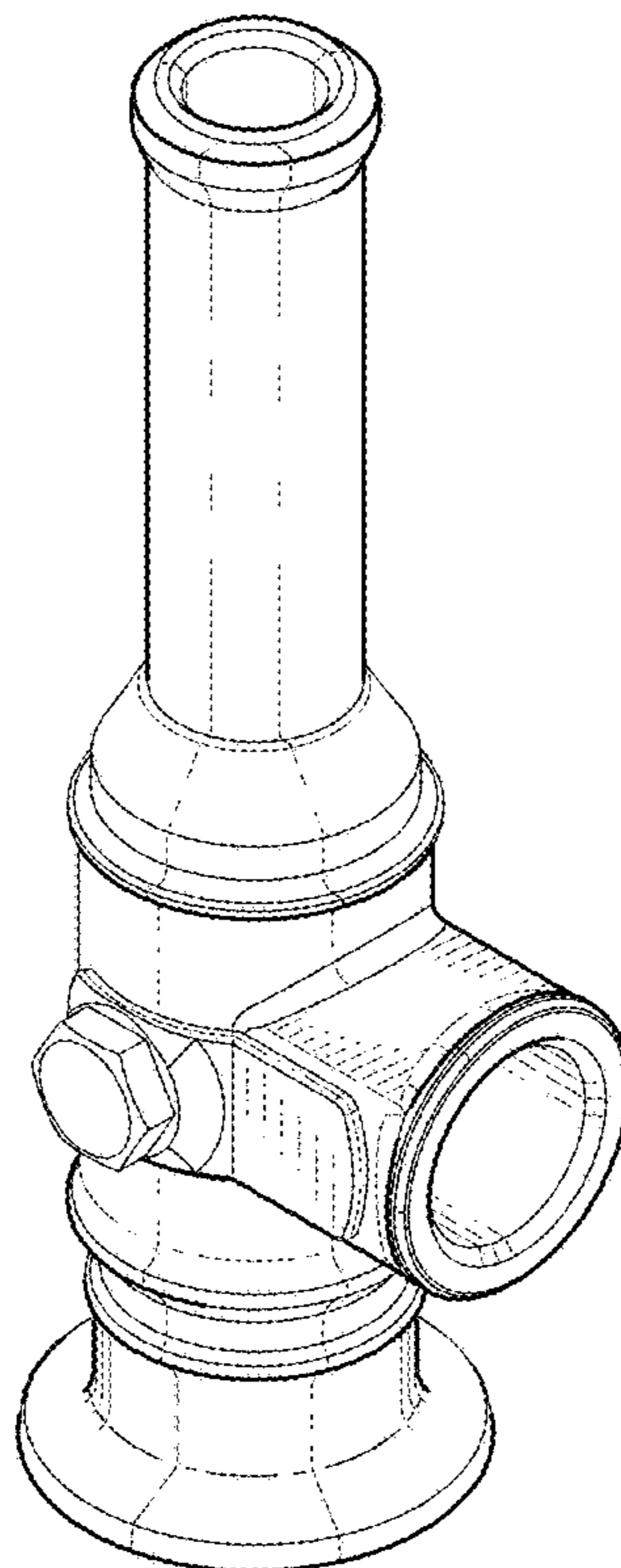
FIG. 1 is a perspective view of a faucet body showing my new design;
FIG. 2 is a top end view thereof;
FIG. 3 is a front elevational view thereof;
FIG. 4 is a bottom end view thereof;
FIG. 5 is a first side view thereof;
FIG. 6 is a rear view thereof; and,
FIG. 7 is a second side view thereof.
The broken-line disclosure in the view represents a portion of the faucet body in which the claimed design is embodied, but which forms no part of the claimed design.

(56) **References Cited**

U.S. PATENT DOCUMENTS

5,590,504 A * 1/1997 Heard G09F 7/18
248/218.4
7,122,739 B2 * 10/2006 Franks, Jr. H01R 4/643
174/51
D550,330 S * 9/2007 Mullenmeister D23/238
D611,124 S * 3/2010 Schoenherr D23/238

1 Claim, 2 Drawing Sheets



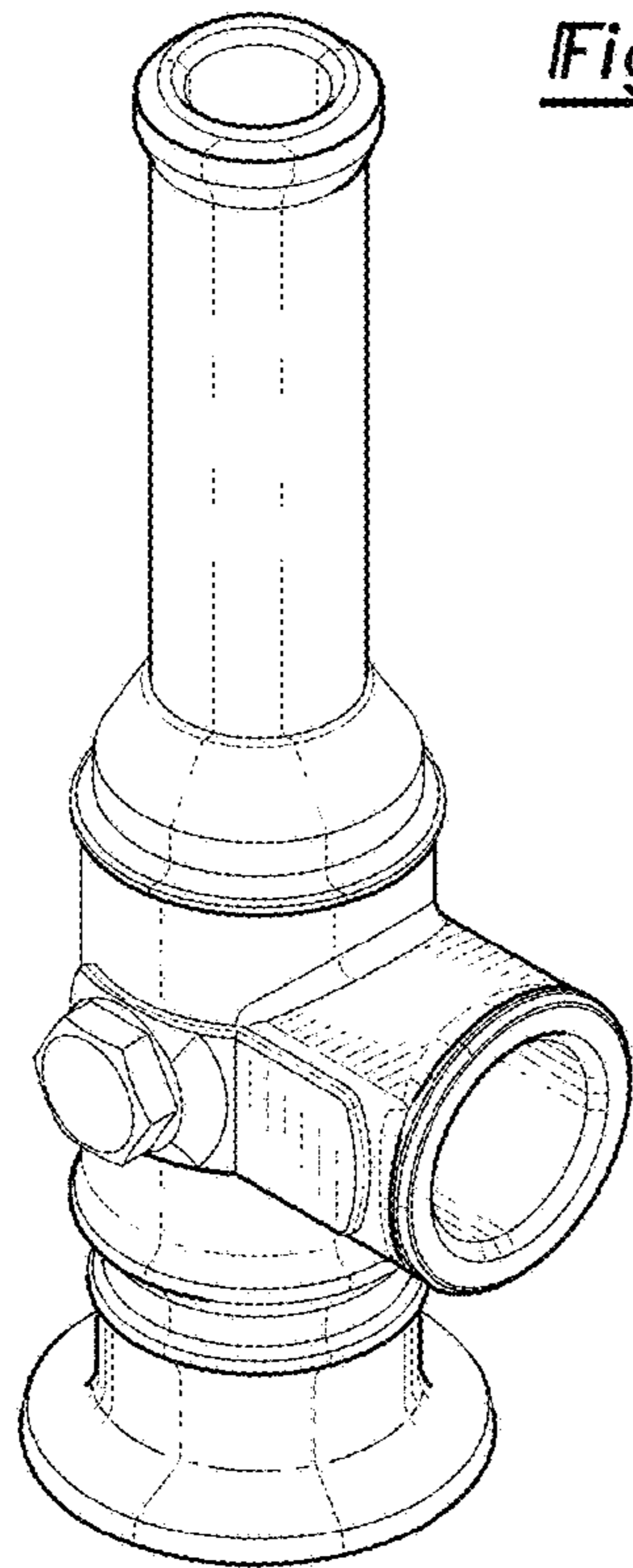


Fig-1

Fig-2

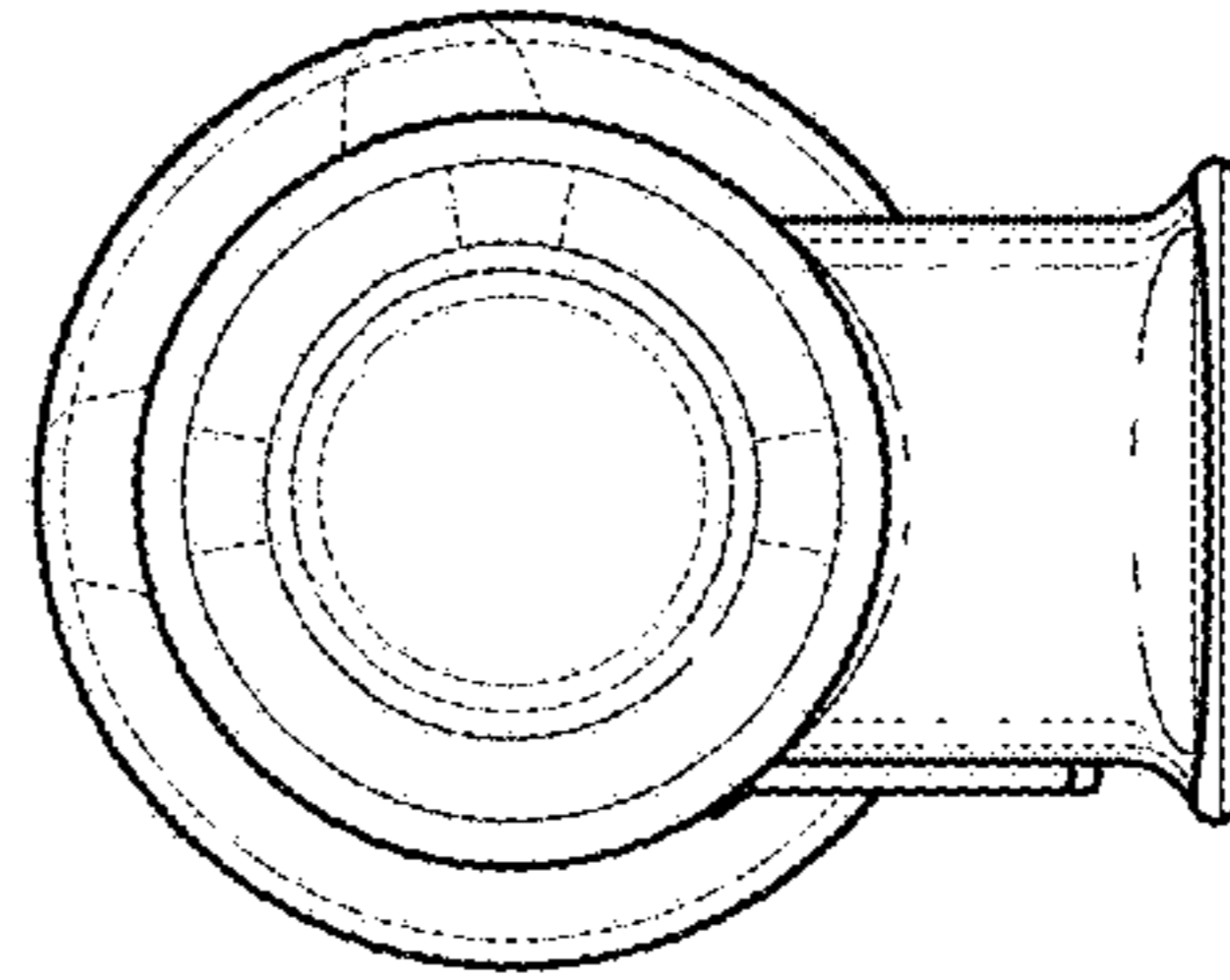


Fig-3

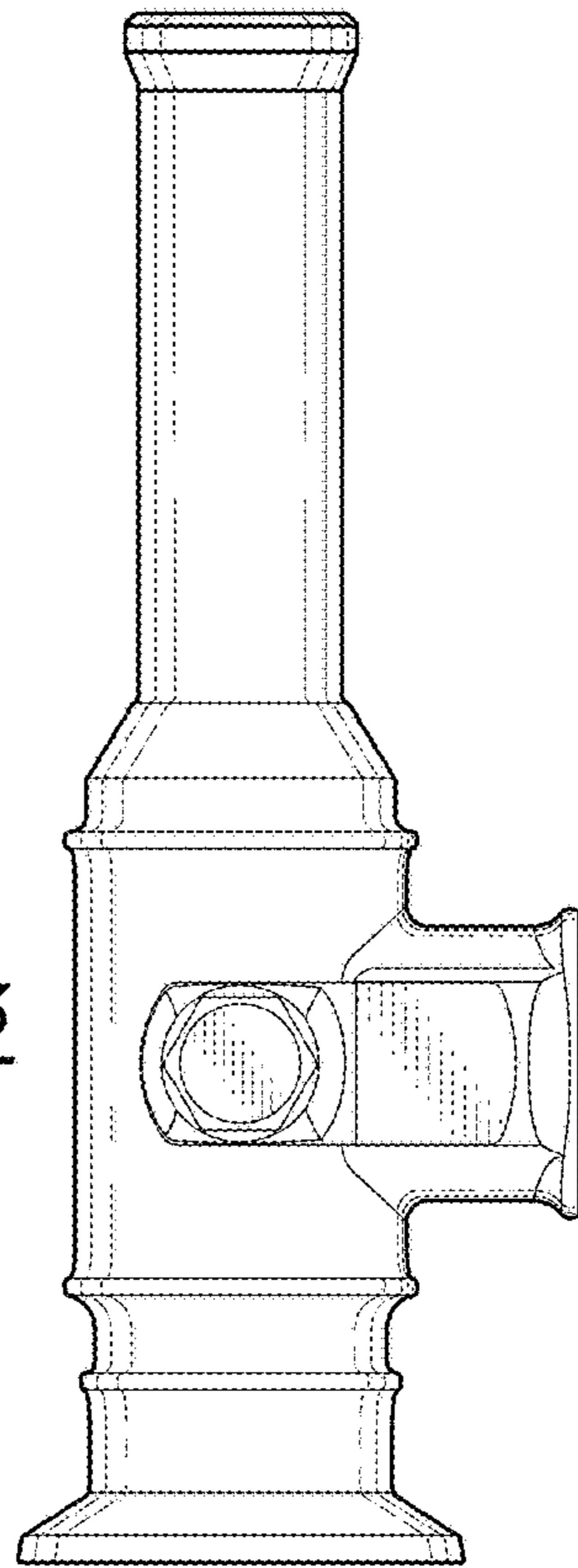
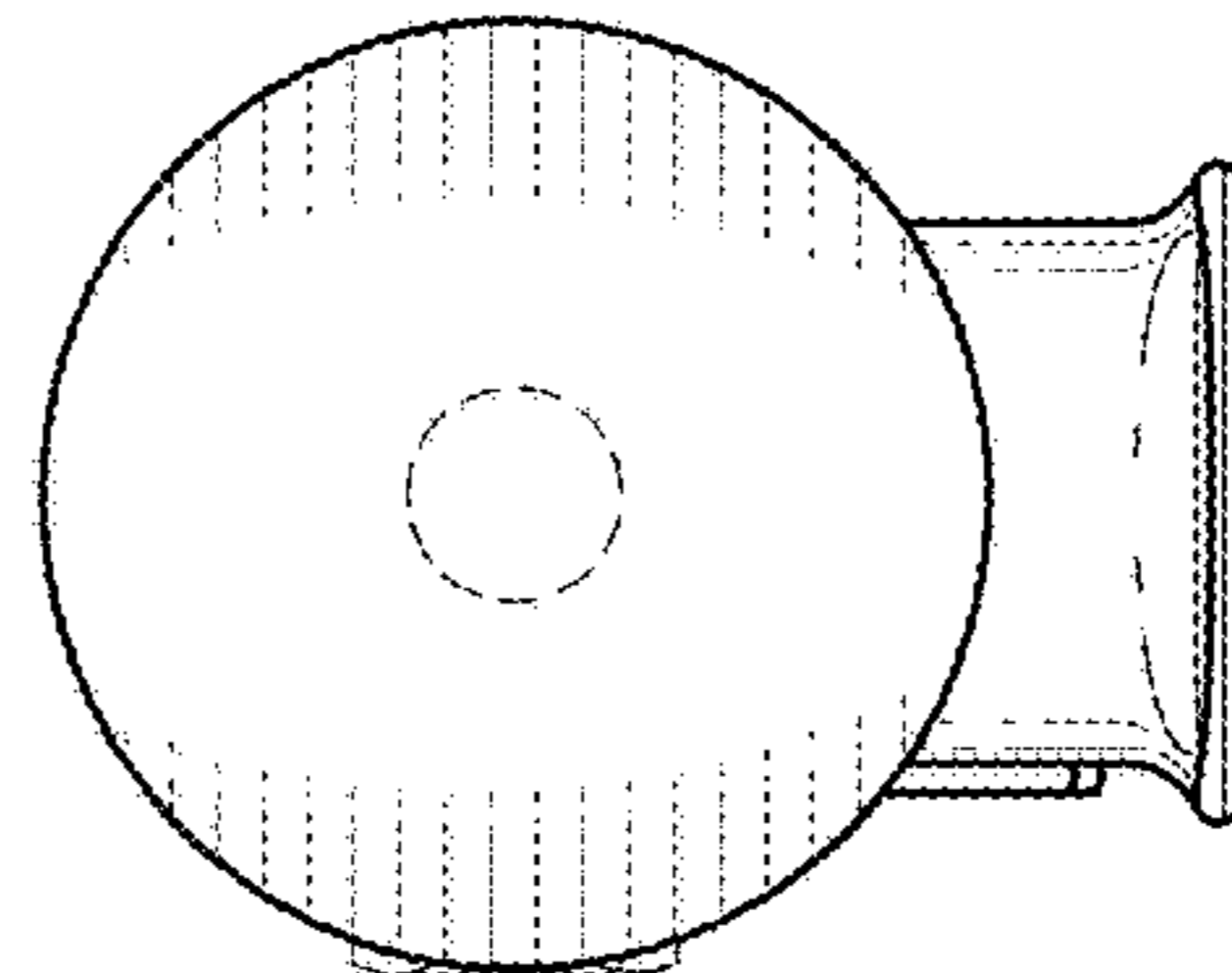


Fig-4



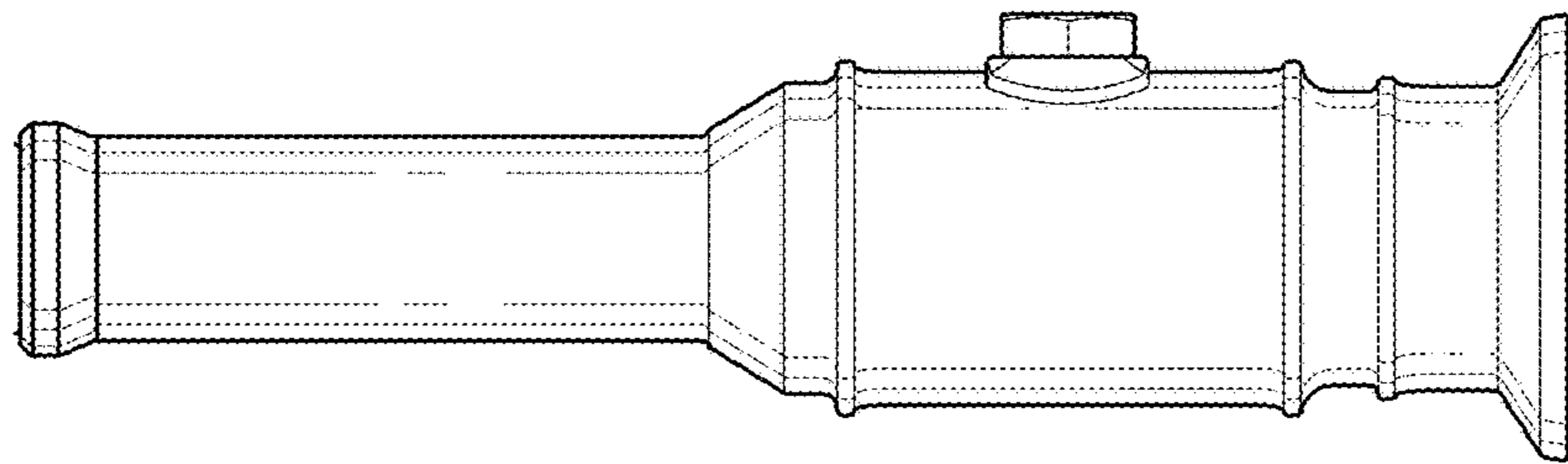


Fig-7

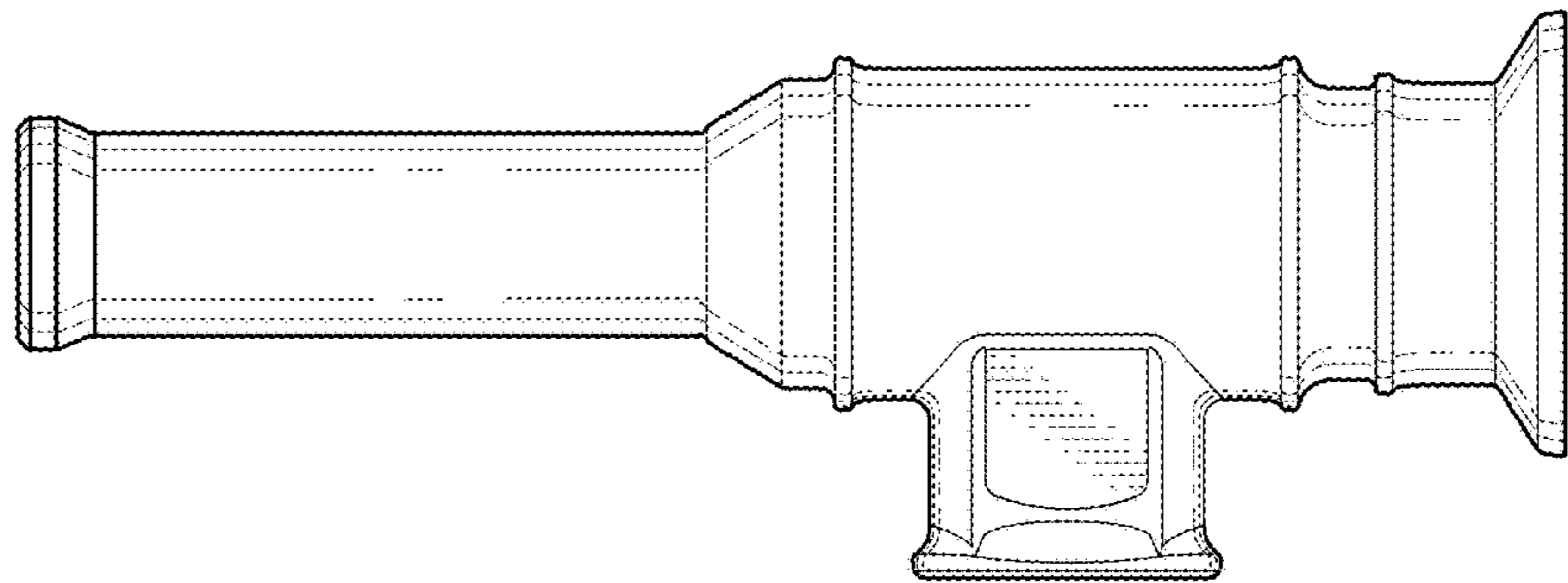


Fig-6

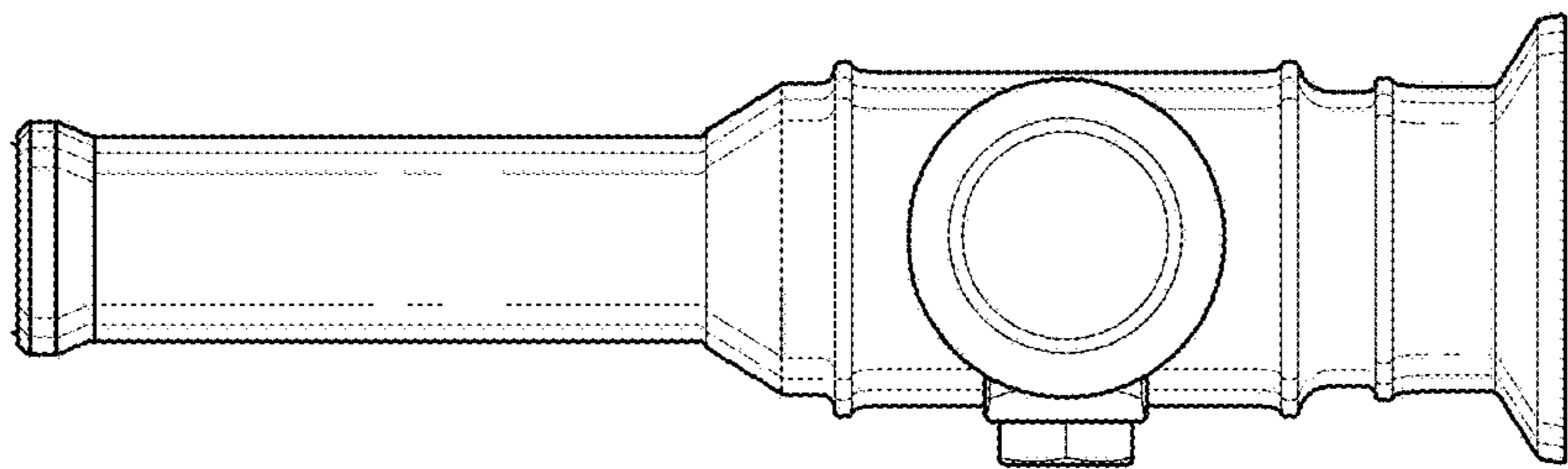


Fig-5