



US00D865129S

(12) **United States Design Patent**
Zeng

(10) **Patent No.:** **US D865,129 S**

(45) **Date of Patent:** **** Oct. 29, 2019**

(54) **FAUCET**

D729,350 S * 5/2015 Bahler D23/252
D773,616 S * 12/2016 Potter D23/252
D797,893 S * 9/2017 Fritz D23/242

(71) Applicant: **Foshan Shunde Yajiasi Kitchen Cabinet Co., Ltd.**, Foshan (Guangdong Province) (CN)

* cited by examiner

(72) Inventor: **Deju Zeng**, Foshan (CN)

Primary Examiner — Robert A Delehanty

(73) Assignee: **Foshan Shunde Yajiasi Kitchen Cabinet Co., Ltd.**, Foshan (CN)

(74) *Attorney, Agent, or Firm* — Yong Chen

(**) Term: **15 Years**

(57) **CLAIM**

(21) Appl. No.: **29/653,405**

The ornamental design for a faucet, as shown and described.

(22) Filed: **Jun. 14, 2018**

(51) **LOC (12) Cl.** **23-01**

(52) **U.S. Cl.**
USPC **D23/242**

DESCRIPTION

(58) **Field of Classification Search**
USPC D23/238, 241–243, 255, 257, 252, 254;
D8/307–308, 352
CPC F16K 31/60; F16K 31/602; F16K 31/605;
F16K 31/607; E03C 1/0412
See application file for complete search history.

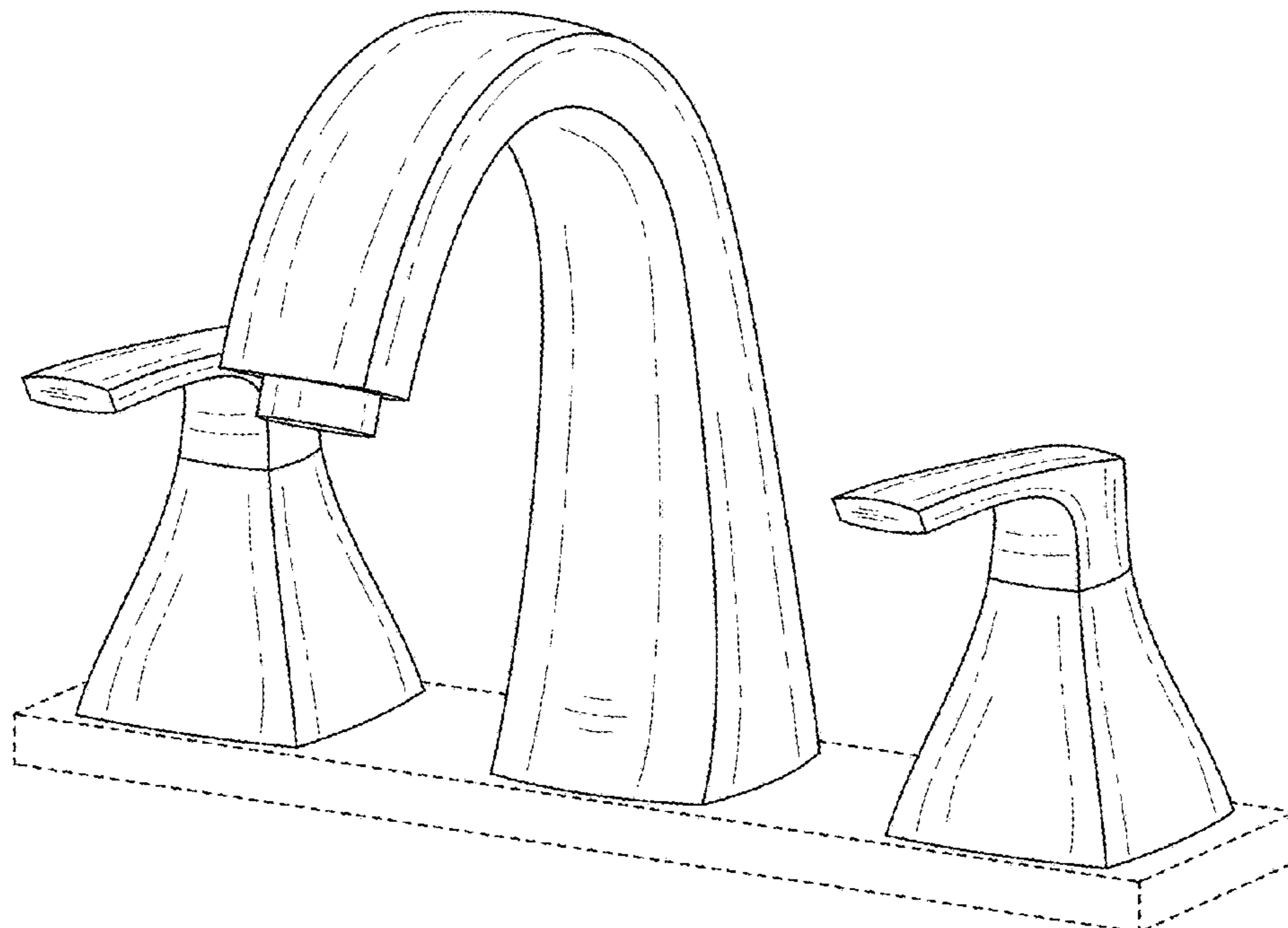
FIG. 1 is a front view of a faucet of the present invention.
FIG. 2 is a back view thereof.
FIG. 3 is a top view thereof.
FIG. 4 is a bottom view thereof.
FIG. 5 is a left view thereof.
FIG. 6 is a right view thereof; and,
FIG. 7 is a perspective view thereof.
The broken line showing of certain portions of the faucet is included for the purpose of illustration only and forms no part of the claimed design.

(56) **References Cited**

U.S. PATENT DOCUMENTS

D520,116 S * 5/2006 Koury D23/241
D577,422 S * 9/2008 Williams D23/241

1 Claim, 7 Drawing Sheets



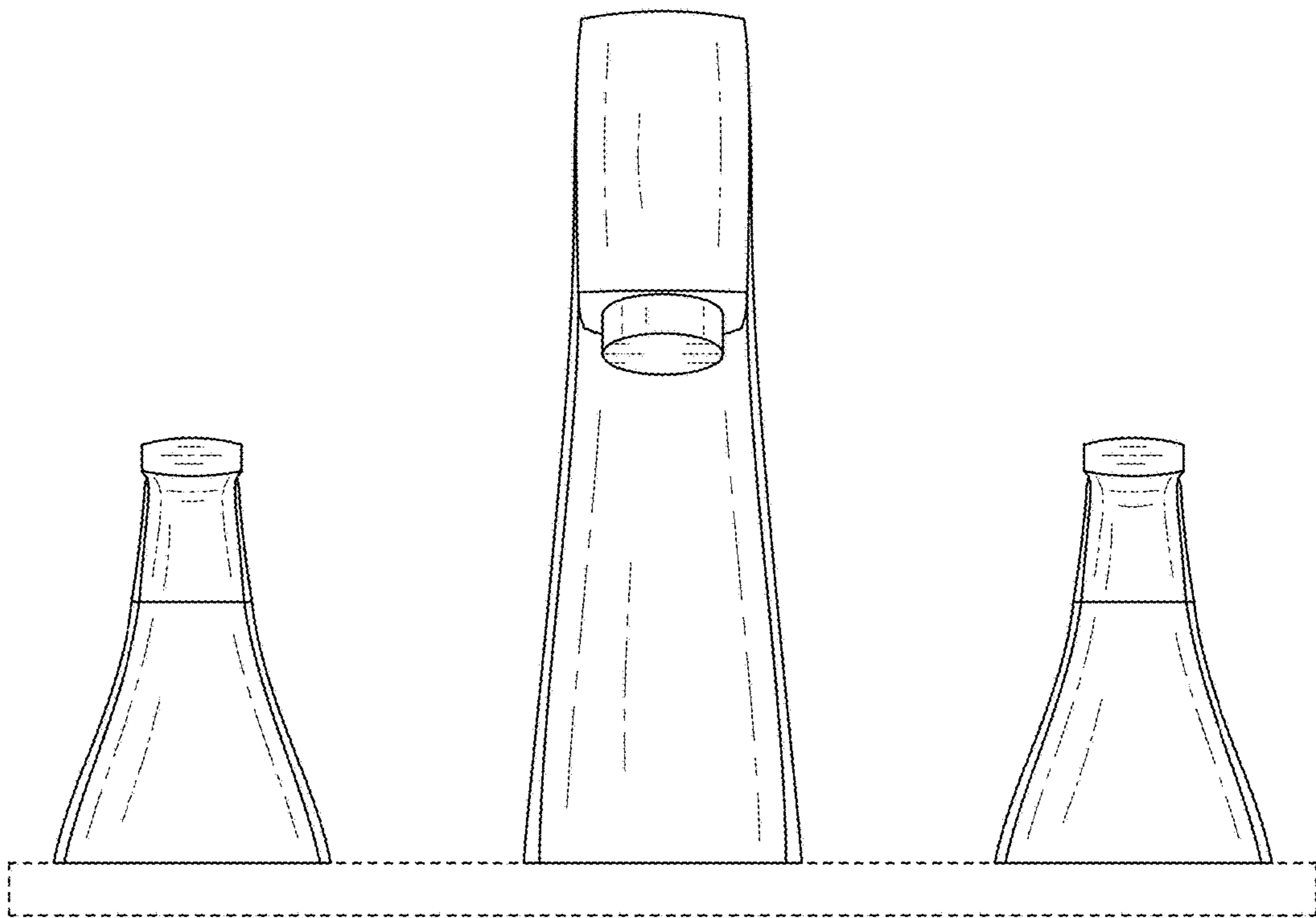


FIG. 1

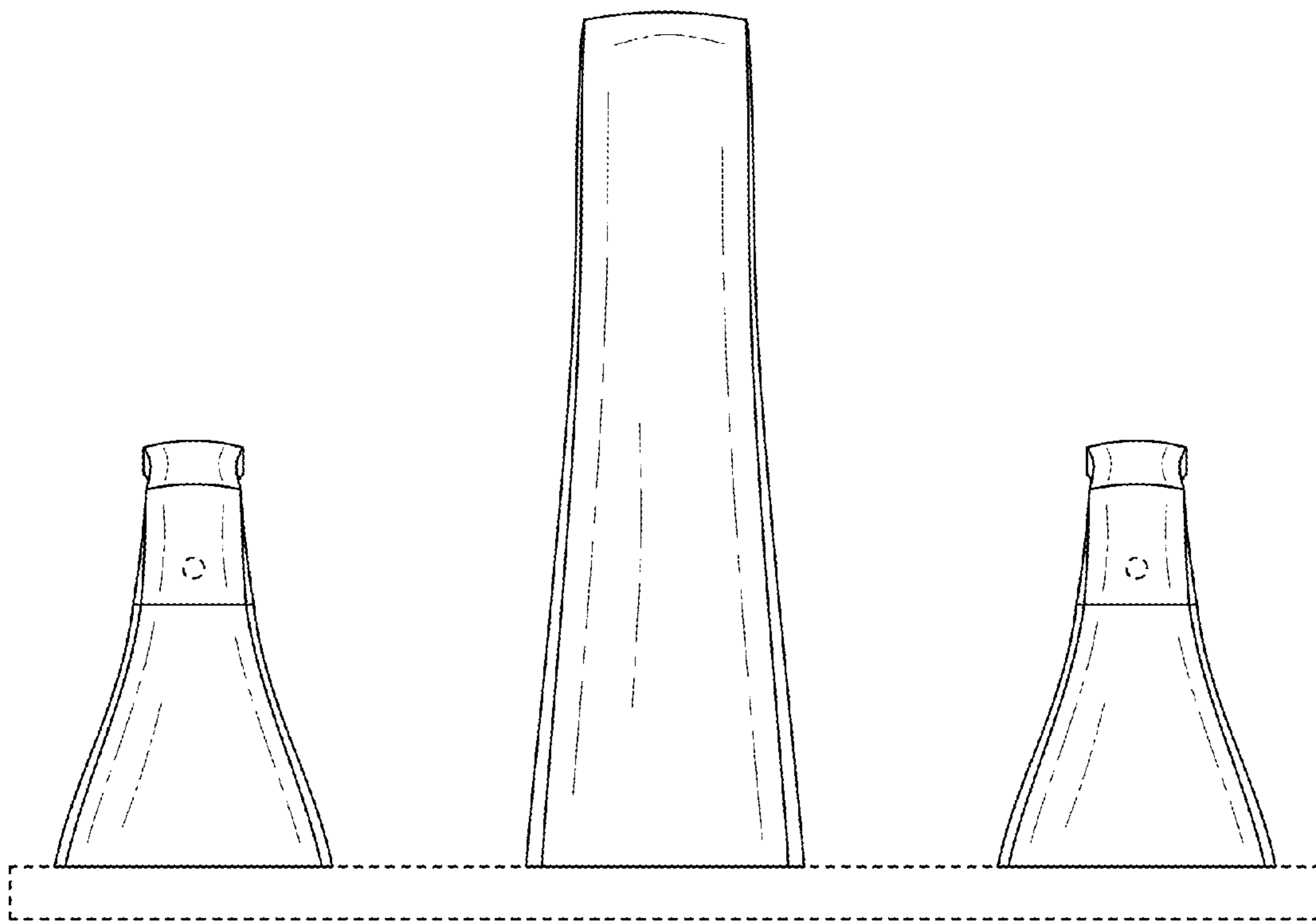


FIG. 2

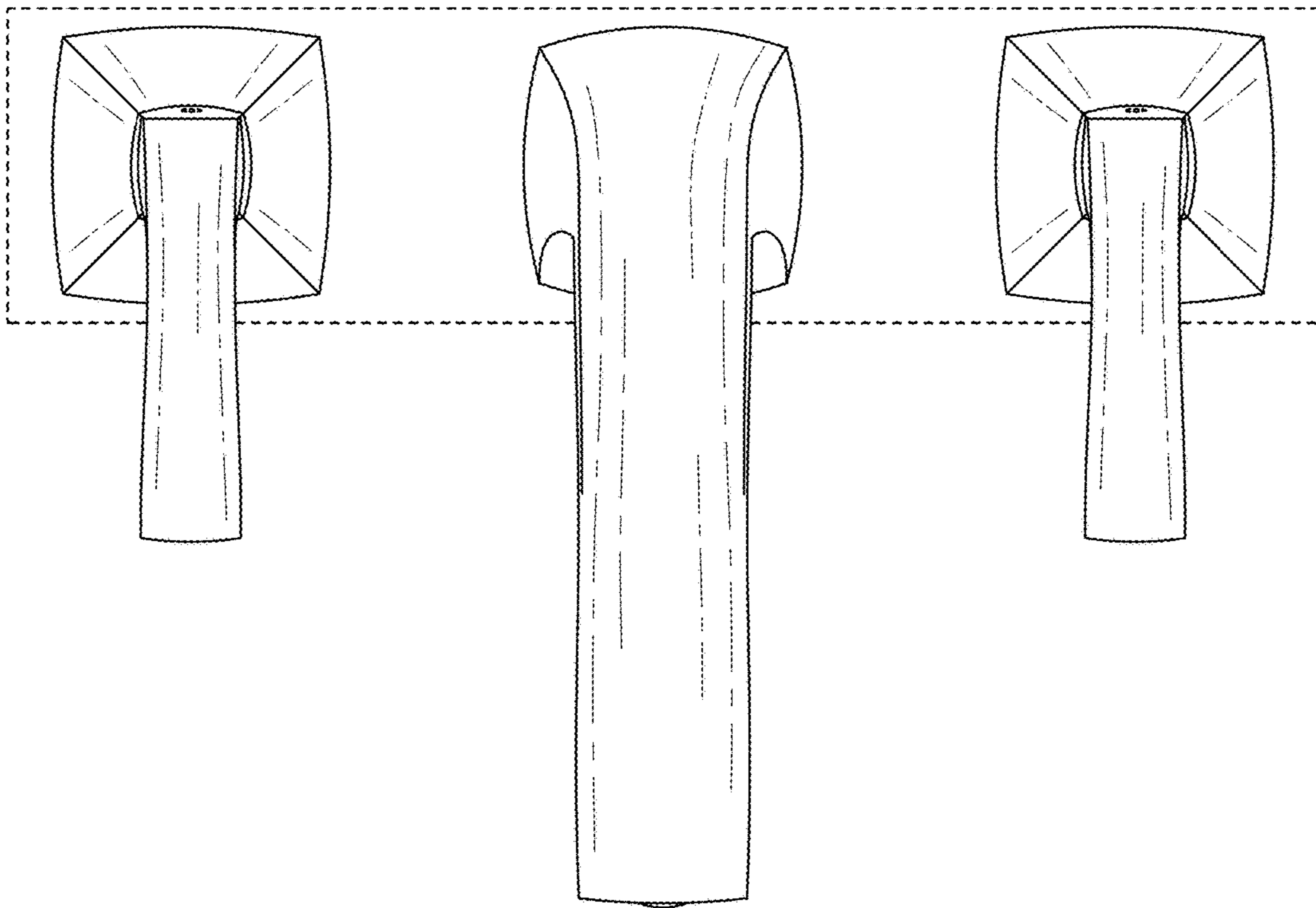


FIG. 3

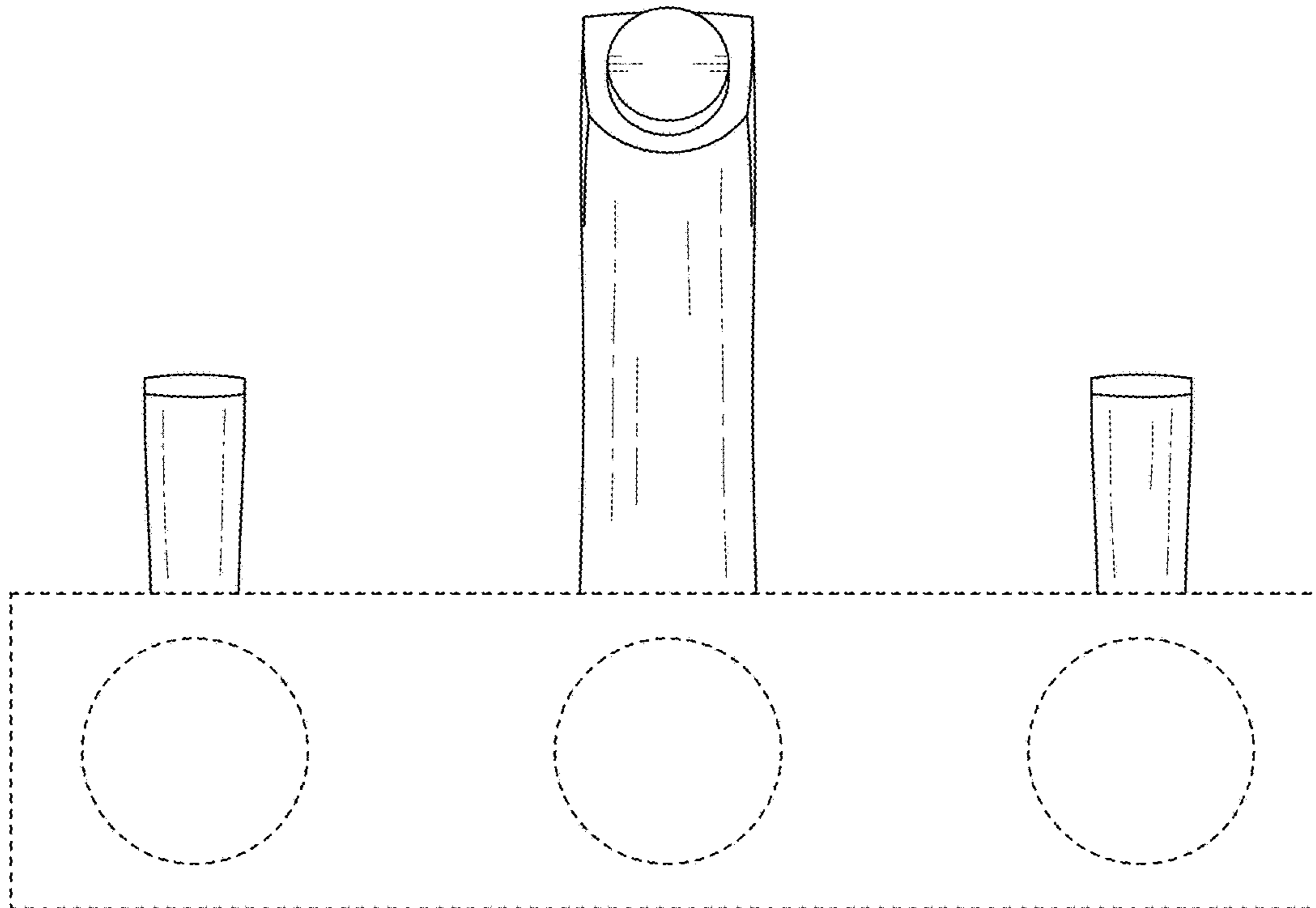


FIG. 4

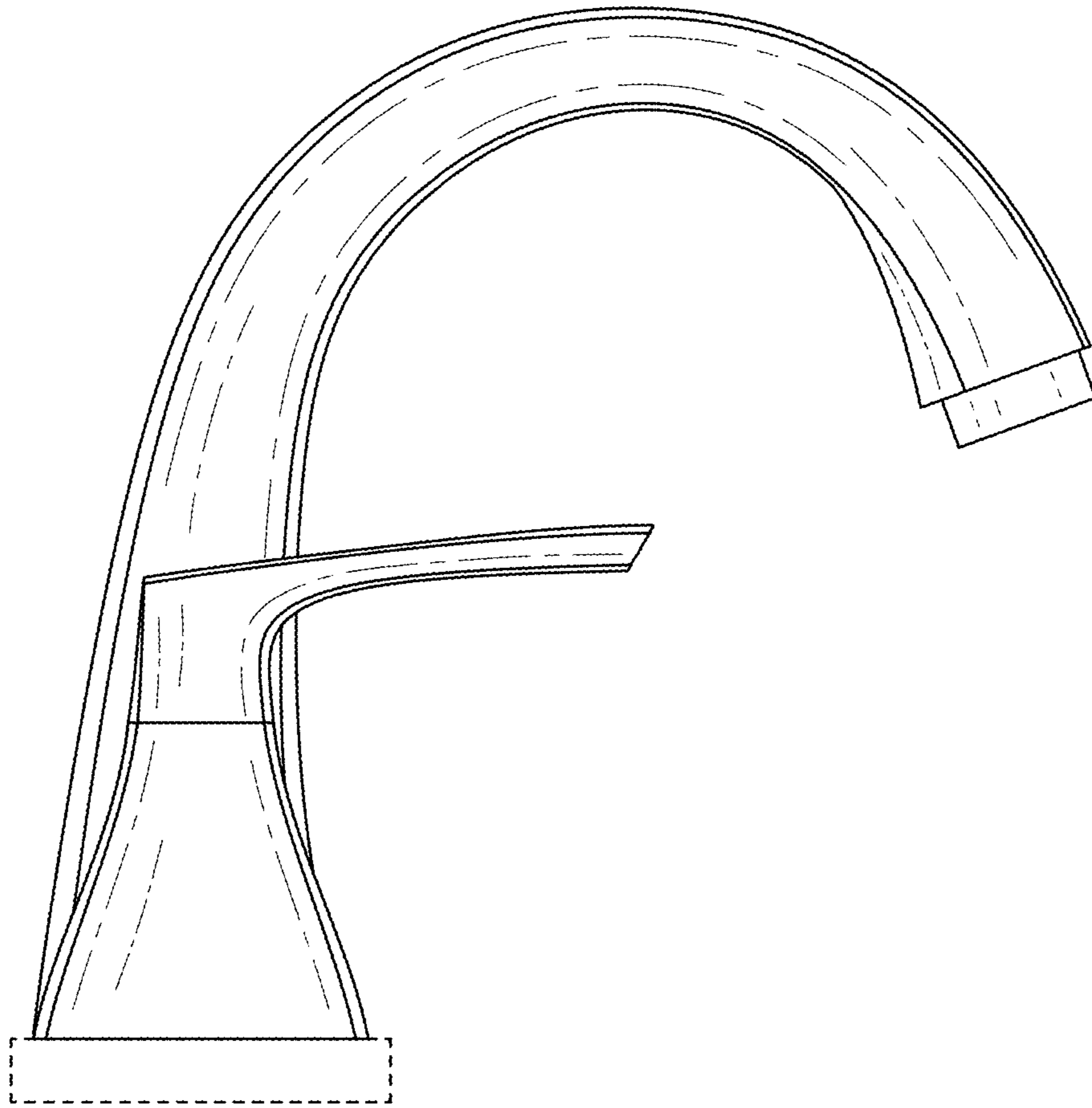


FIG. 5

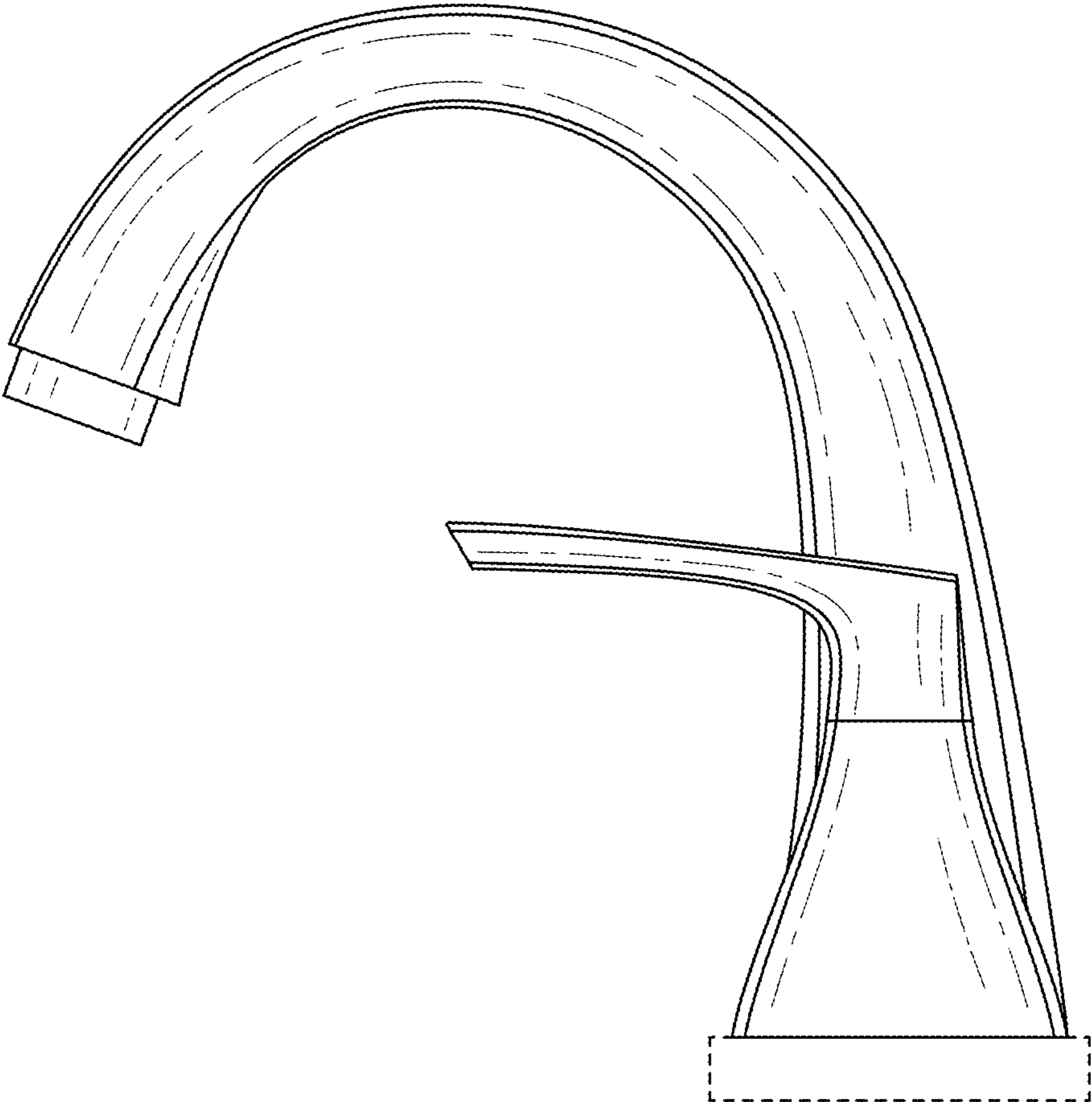


FIG. 6

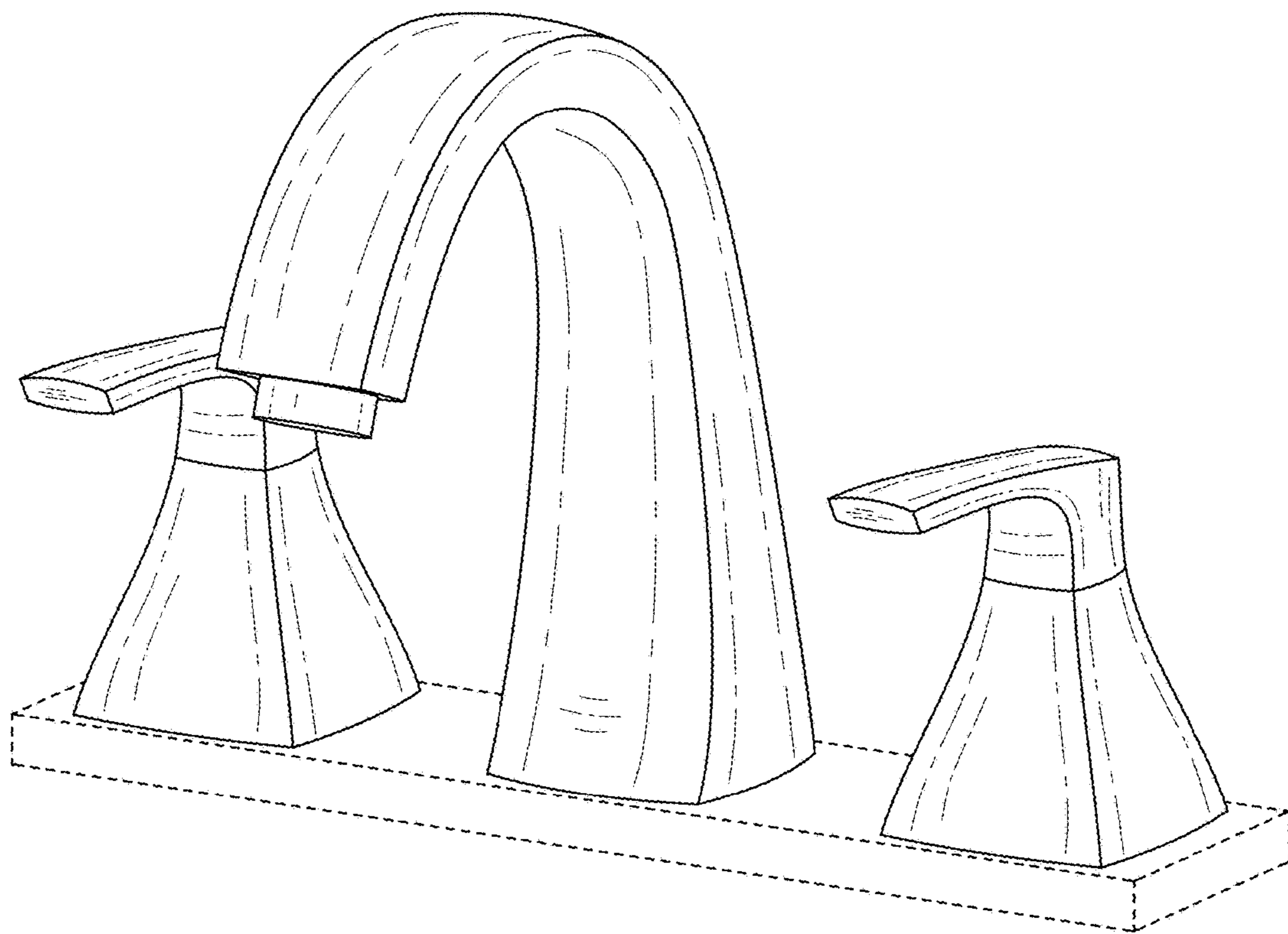


FIG. 7