



US00D865128S

(12) **United States Design Patent**
Zeng

(10) **Patent No.:** **US D865,128 S**

(45) **Date of Patent:** **** Oct. 29, 2019**

(54) **FAUCET**

(71) Applicant: **Foshan Shunde Yajiasi Kitchen Cabinet Co., Ltd.**, Foshan (Guangdong Province) (CN)

(72) Inventor: **Deju Zeng**, Foshan (CN)

(73) Assignee: **Foshan Shunde Yajiasi Kitchen Cabinet Co., Ltd.**, Foshan (CN)

(**) Term: **15 Years**

(21) Appl. No.: **29/653,399**

(22) Filed: **Jun. 14, 2018**

(51) **LOC (12) Cl.** **23-01**

(52) **U.S. Cl.**
USPC **D23/242**

(58) **Field of Classification Search**
USPC D23/238, 241-243, 255, 257, 252, 254;
D8/307-308
CPC F16K 31/60; F16K 31/602; F16K 31/605;
F16K 31/607; E03C 1/0412
See application file for complete search history.

(56) **References Cited**

U.S. PATENT DOCUMENTS

D492,009 S * 6/2004 Egee D23/238
D493,213 S * 7/2004 Svendsen D23/252

D540,910 S * 4/2007 Blomstrom D23/238
D587,786 S * 3/2009 Williams D23/252
D631,137 S * 1/2011 Ke D23/252
D681,169 S * 4/2013 Liao D23/242
D682,993 S * 5/2013 Mendoza D23/242
D713,937 S * 9/2014 Fritz D23/242
D754,298 S * 4/2016 Garland D23/242
D792,559 S * 7/2017 Kulig D23/242

* cited by examiner

Primary Examiner — Robert A Delehanty

(74) *Attorney, Agent, or Firm* — Yong Chen

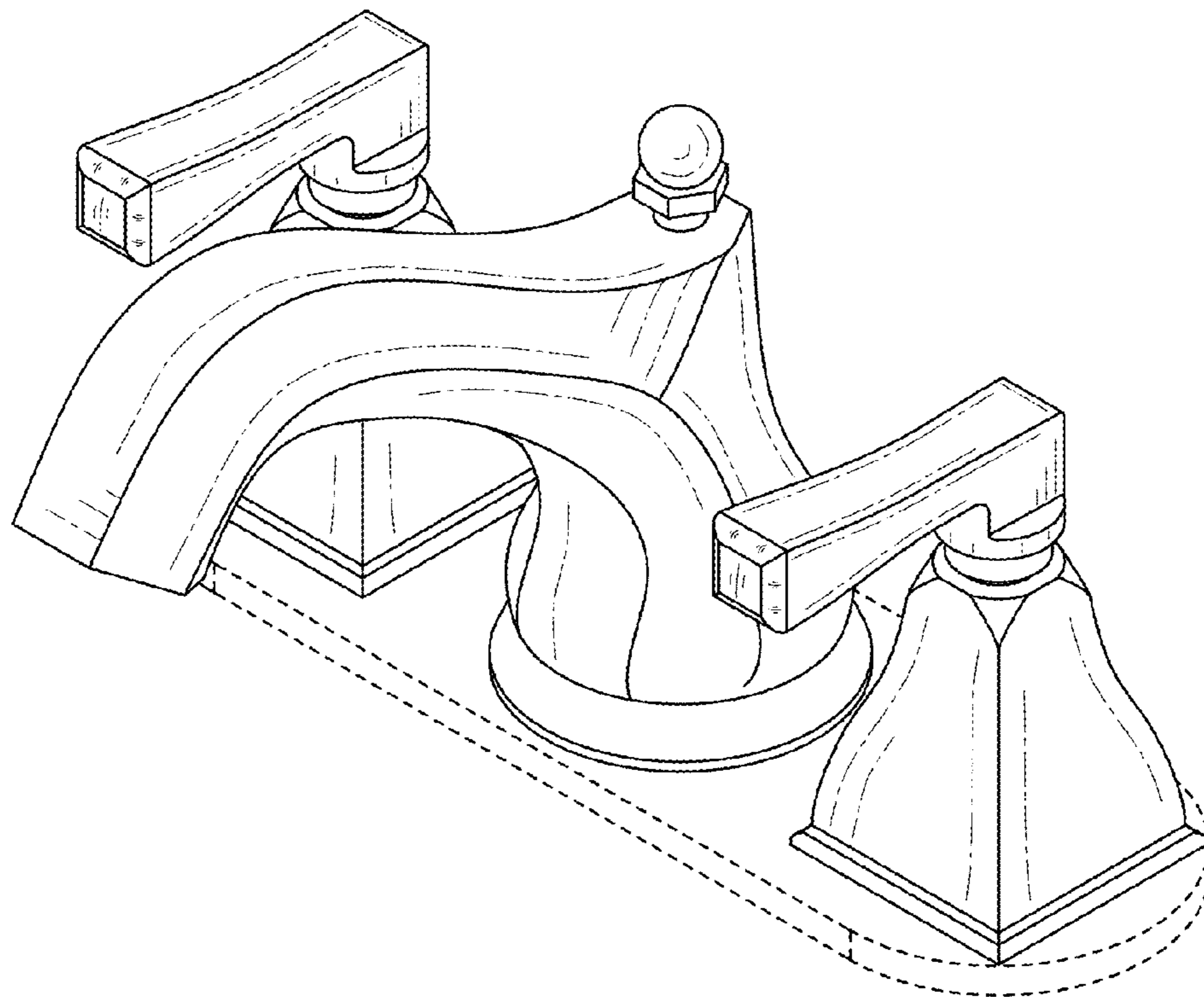
(57) **CLAIM**

The ornamental design for a faucet, as shown and described.

DESCRIPTION

FIG. 1 is a front view of a faucet of the present invention. FIG. 2 is a back view thereof. FIG. 3 is a top view thereof. FIG. 4 is a bottom view thereof. FIG. 5 is a left view thereof. FIG. 6 is a right view thereof; and, FIG. 7 is a perspective view thereof. The broken line showing of certain portions of the faucet is included for the purpose of illustration only and forms no part of the claimed design.

1 Claim, 7 Drawing Sheets



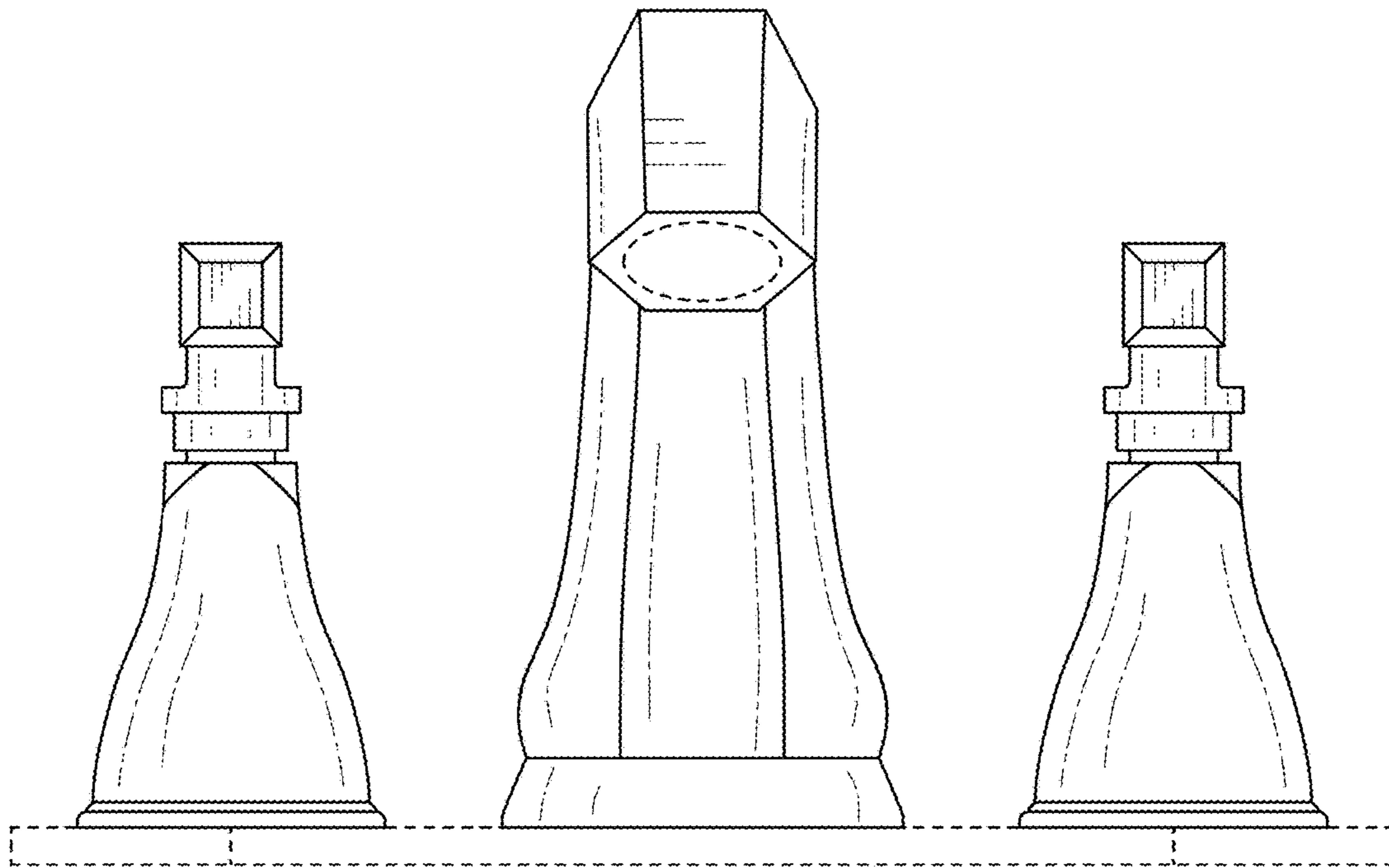


FIG. 1

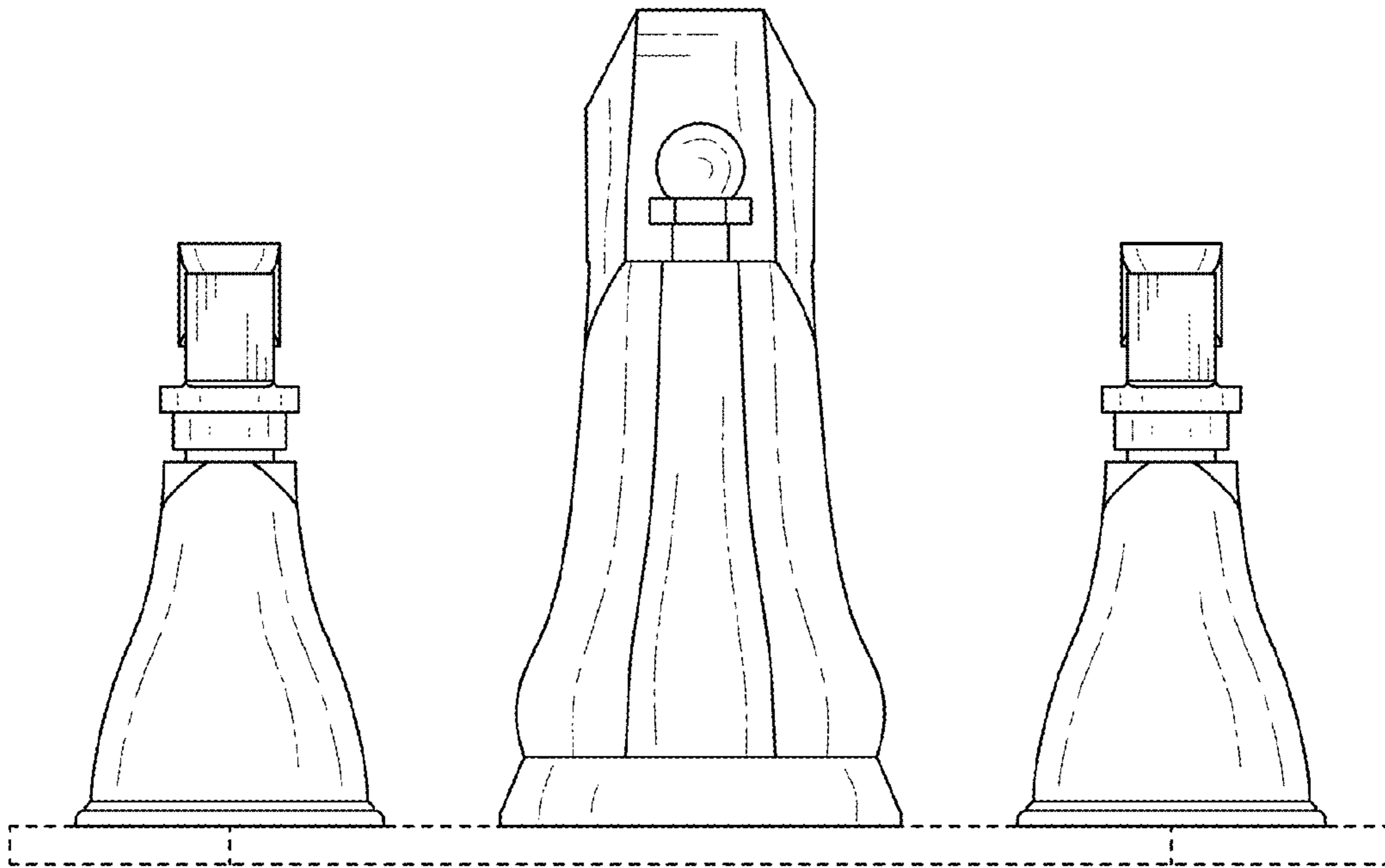


FIG. 2

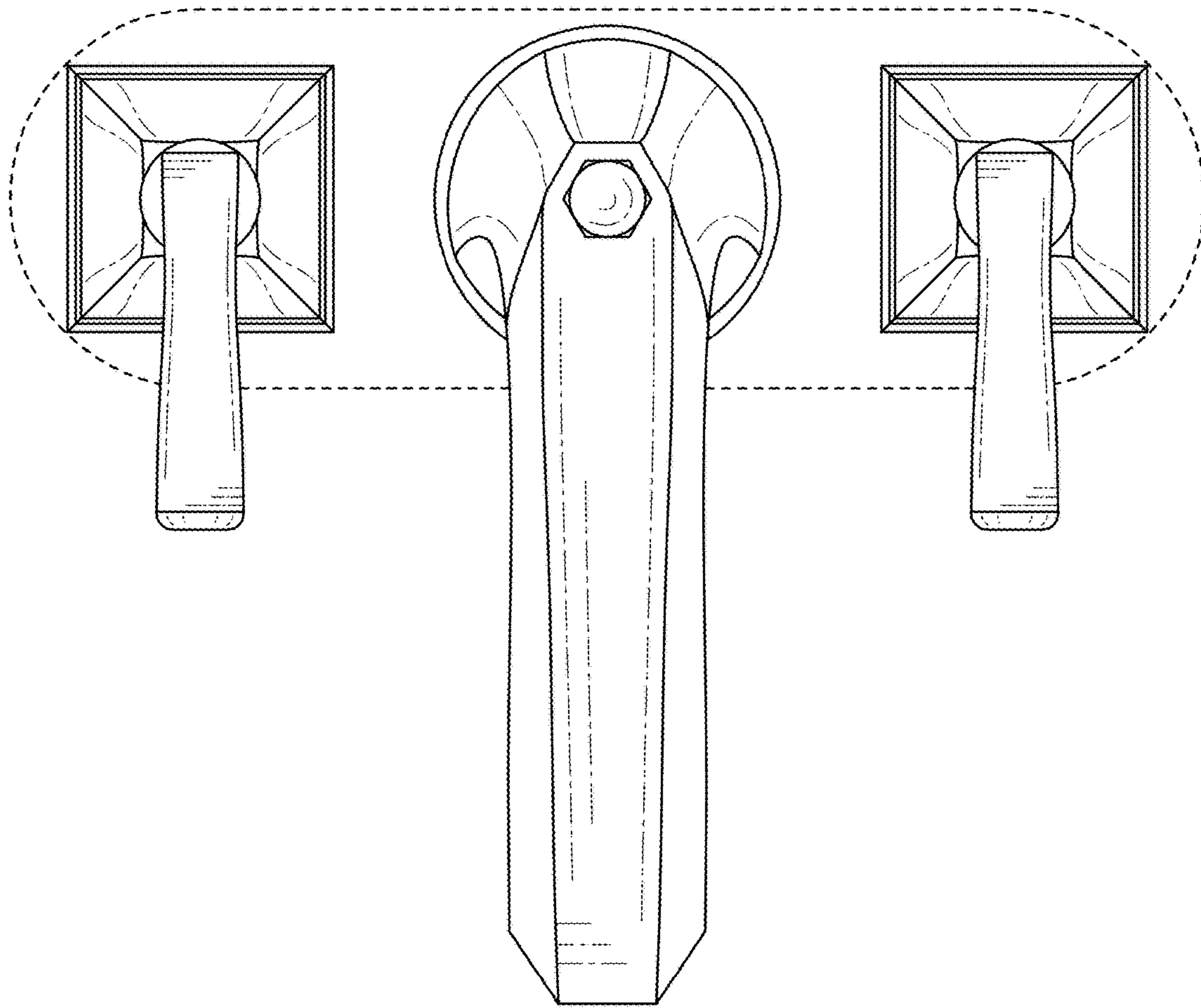


FIG. 3

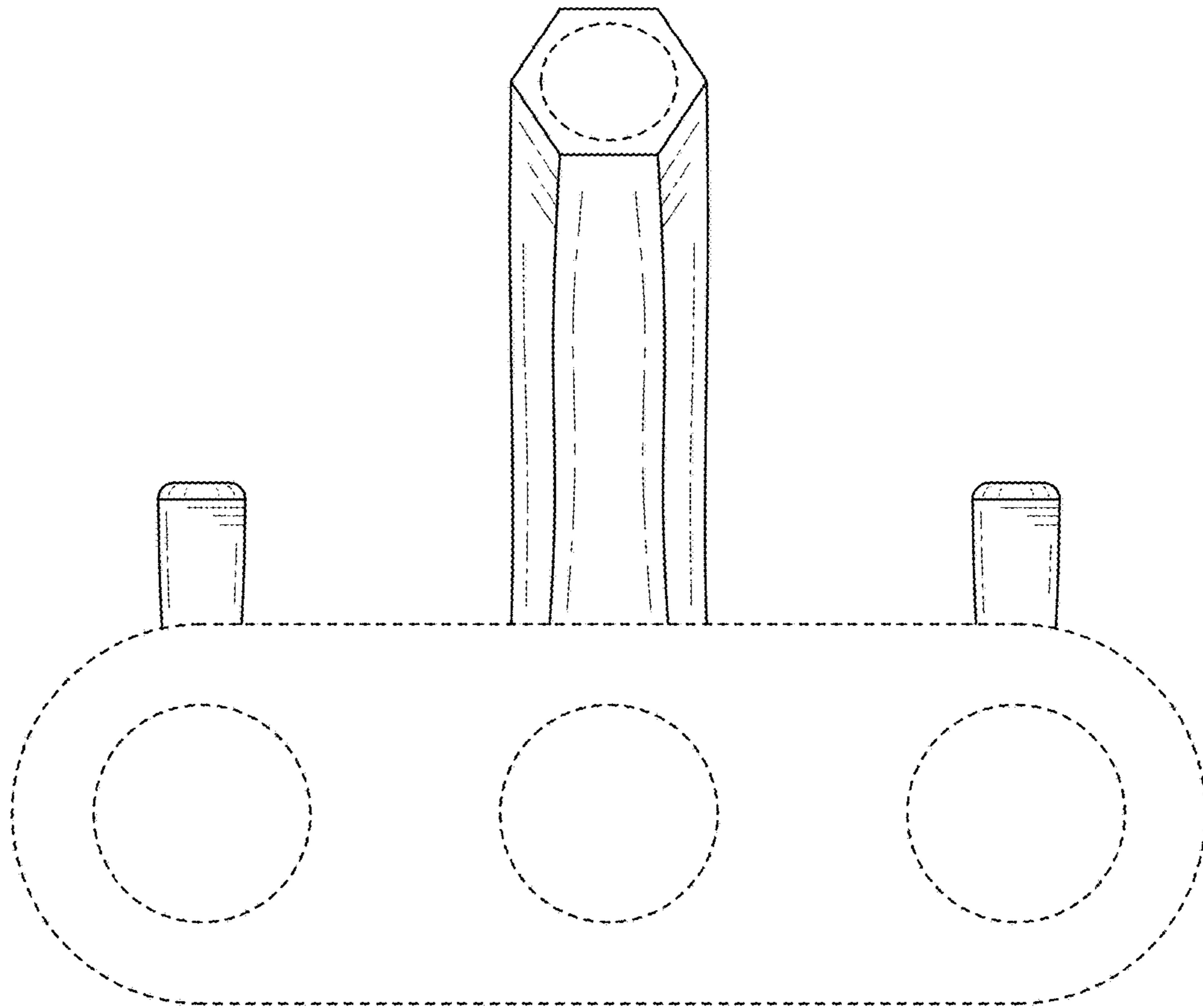


FIG. 4

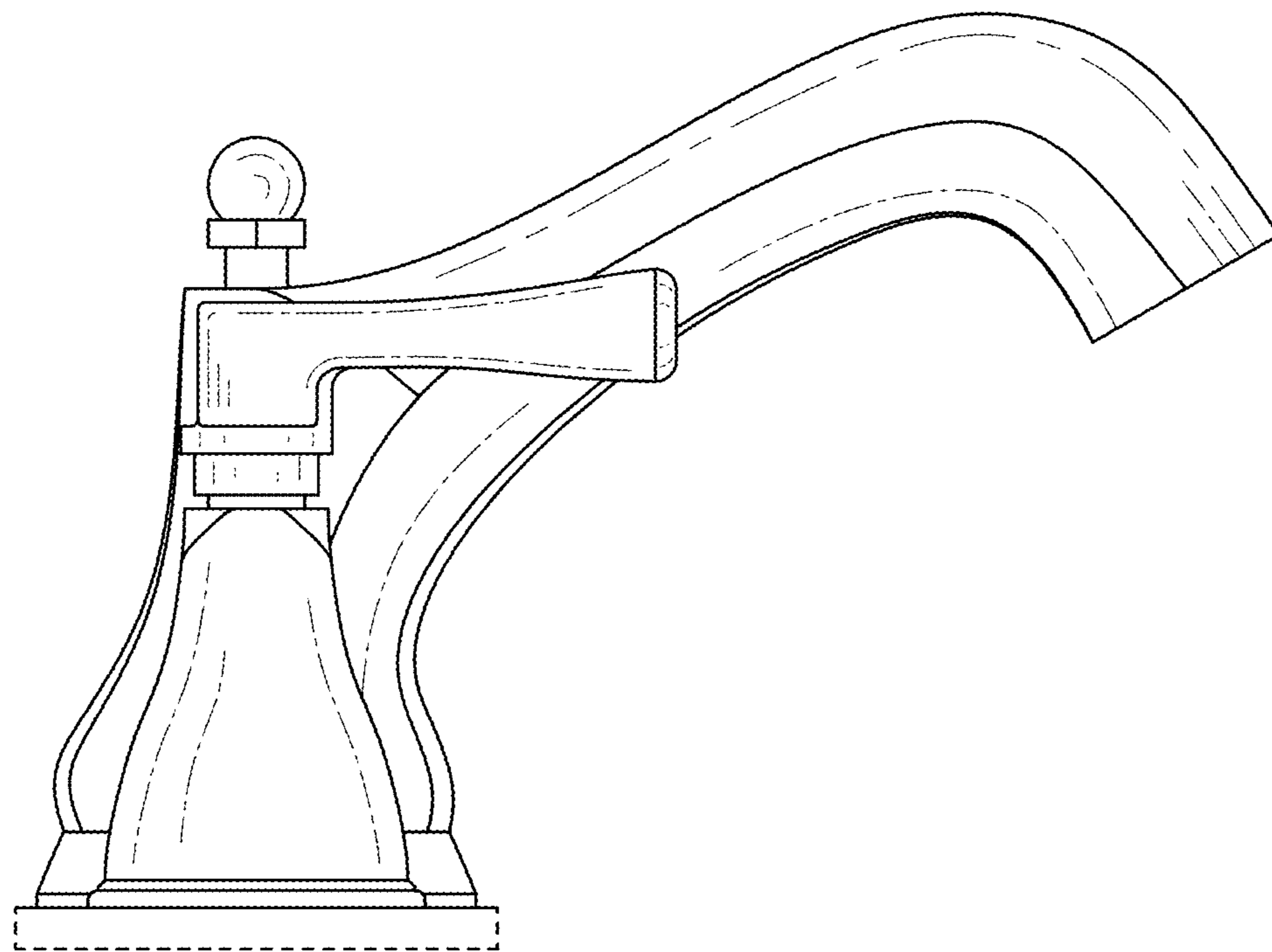


FIG. 5

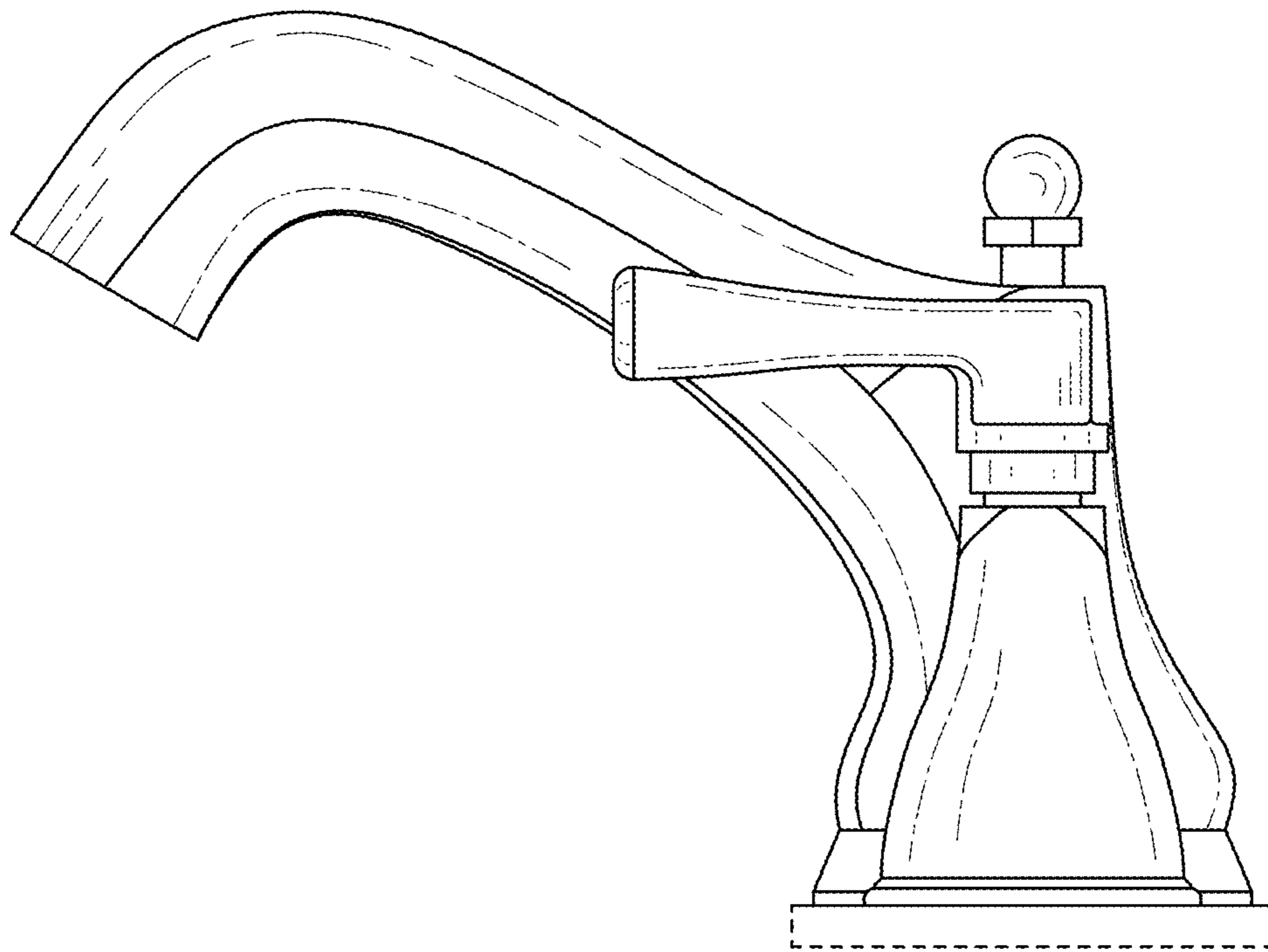


FIG. 6

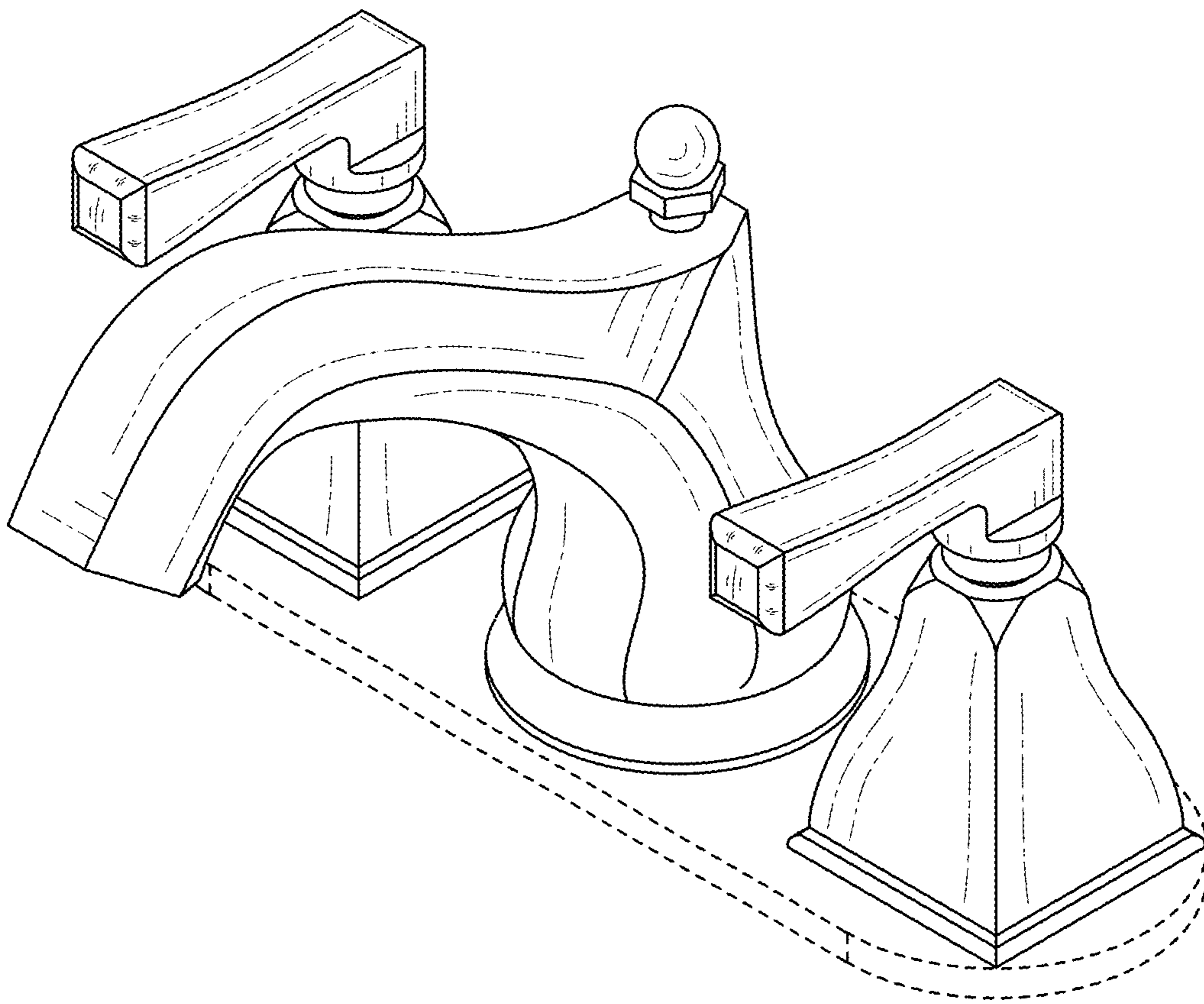


FIG. 7