



US00D865127S

(12) **United States Design Patent**
Fang

(10) **Patent No.:** **US D865,127 S**

(45) **Date of Patent:** **** Oct. 29, 2019**

(54) **WATER FAUCET**

(71) Applicant: **Xiaohua Fang**, Zhejiang (CN)

(72) Inventor: **Xiaohua Fang**, Zhejiang (CN)

(**) Term: **15 Years**

(21) Appl. No.: **29/644,146**

(22) Filed: **Apr. 16, 2018**

(51) **LOC (12) Cl.** **23-01**

(52) **U.S. Cl.**
USPC **D23/242**

(58) **Field of Classification Search**
USPC D23/238-245, 249-250, 252, 254-255,
D23/257; 4/675-678; D8/307-308
CPC Y10T 137/9464
See application file for complete search history.

(56) **References Cited**

U.S. PATENT DOCUMENTS

D581,030 S * 11/2008 Fritz D23/255
D656,587 S * 3/2012 Ko D23/242

D680,193 S * 4/2013 Kwok D23/242
D684,668 S * 6/2013 Yu D23/242
D791,281 S * 7/2017 Schaubach D23/242

* cited by examiner

Primary Examiner — Eric L Goodman
Assistant Examiner — Amy C Wierenga

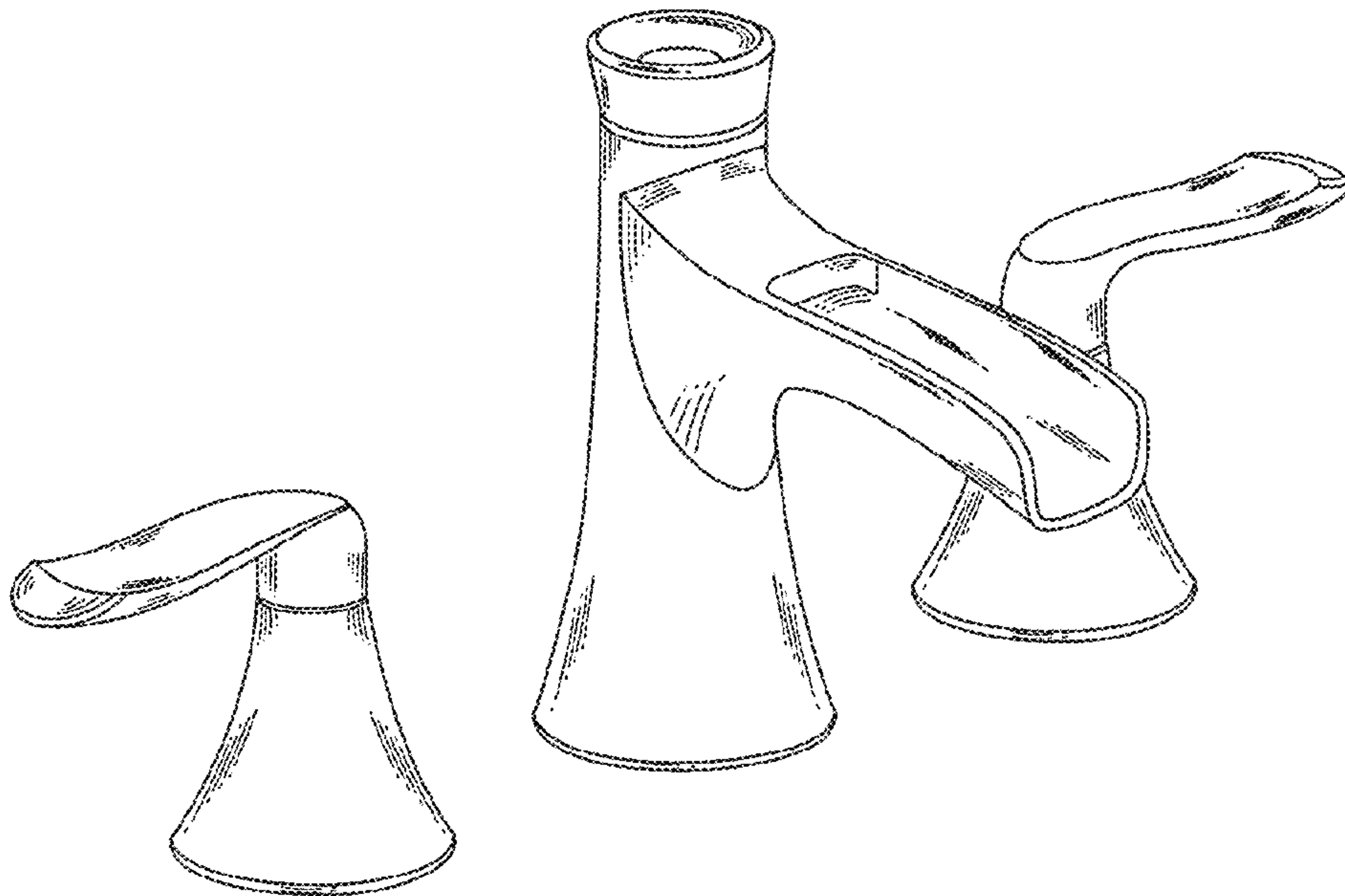
(57) **CLAIM**

I claim the ornamental design for a water faucet, as shown and described.

DESCRIPTION

FIG. 1 is a perspective view of a water faucet showing my new design;
FIG. 2 is a front elevational view thereof;
FIG. 3 is a rear elevational view thereof;
FIG. 4 is a left side elevational view thereof;
FIG. 5 is a right side elevational view thereof;
FIG. 6 is a top plan view thereof; and,
FIG. 7 is a bottom plan view thereof.
The broken lines shown in drawings illustrate portions of the water faucet that form no part of the claim.

1 Claim, 7 Drawing Sheets



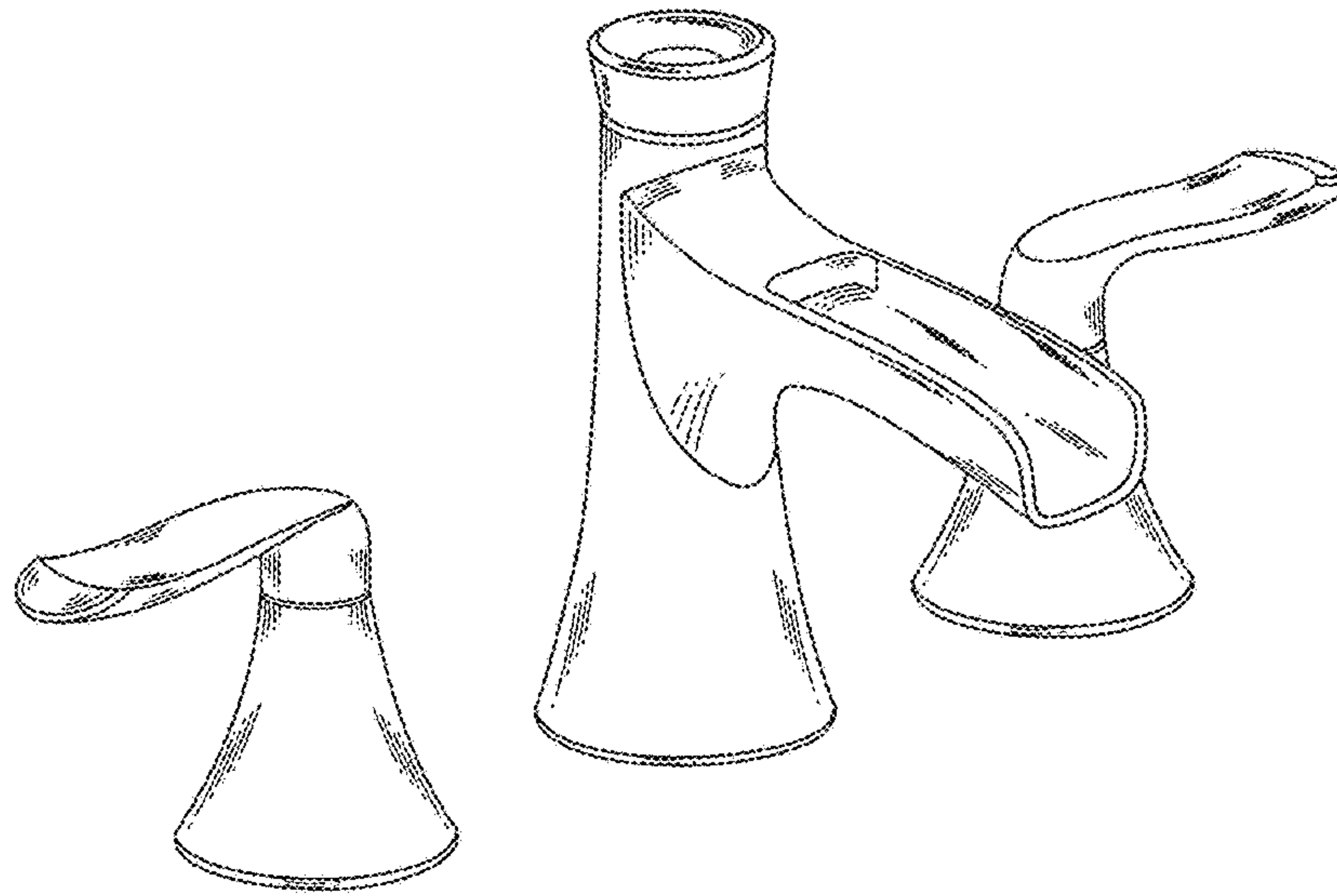


FIG. 1

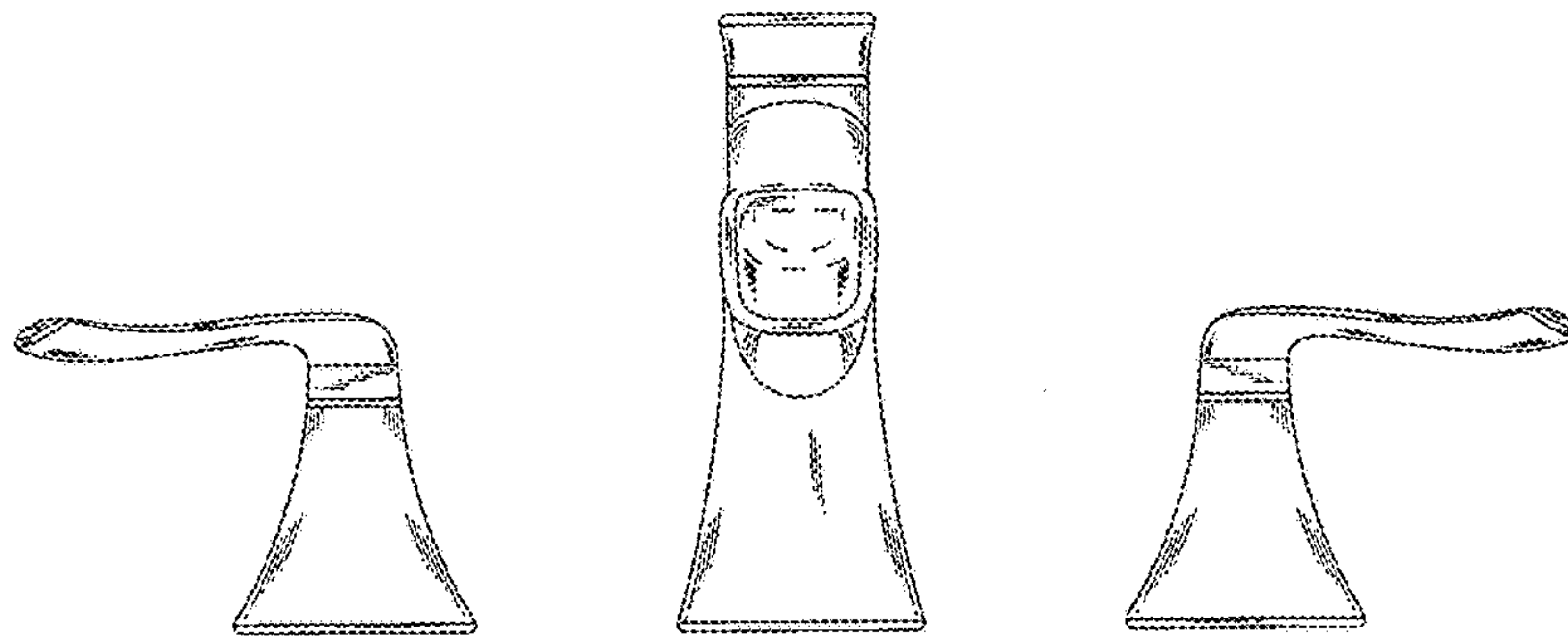


FIG. 2

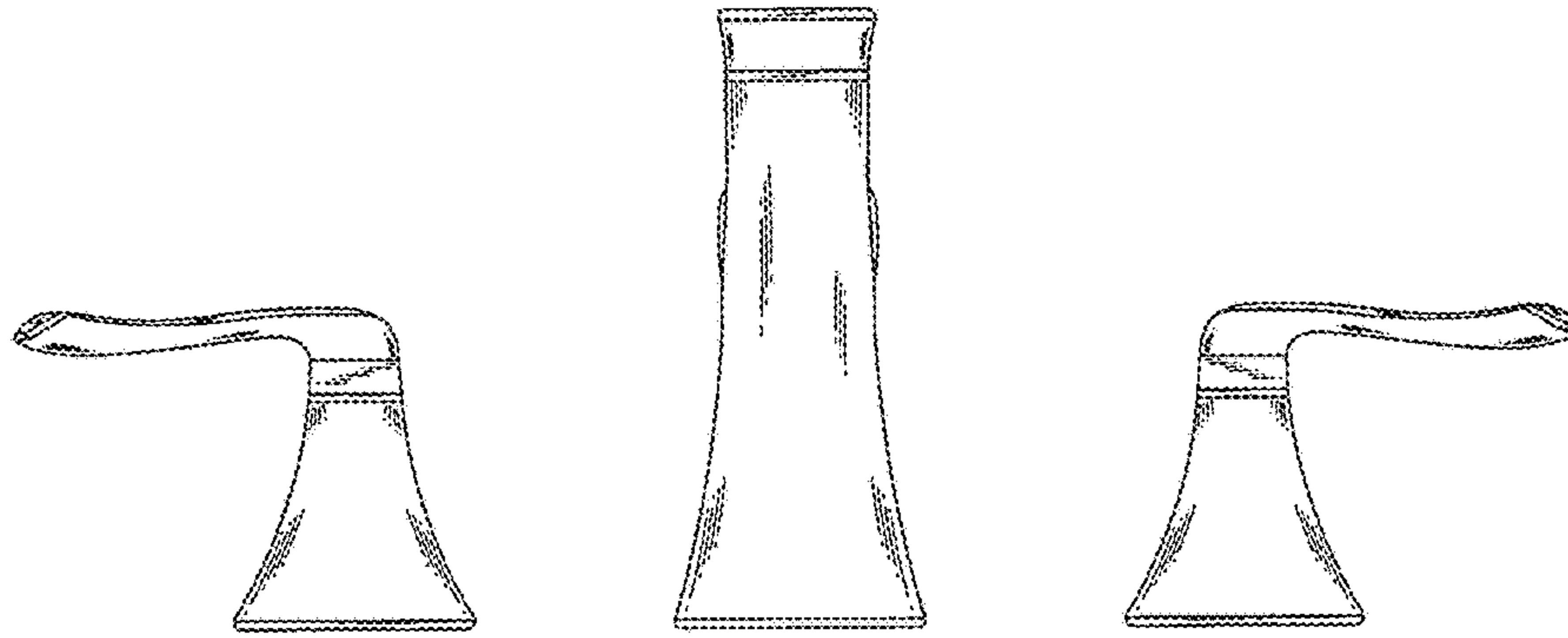


FIG. 3

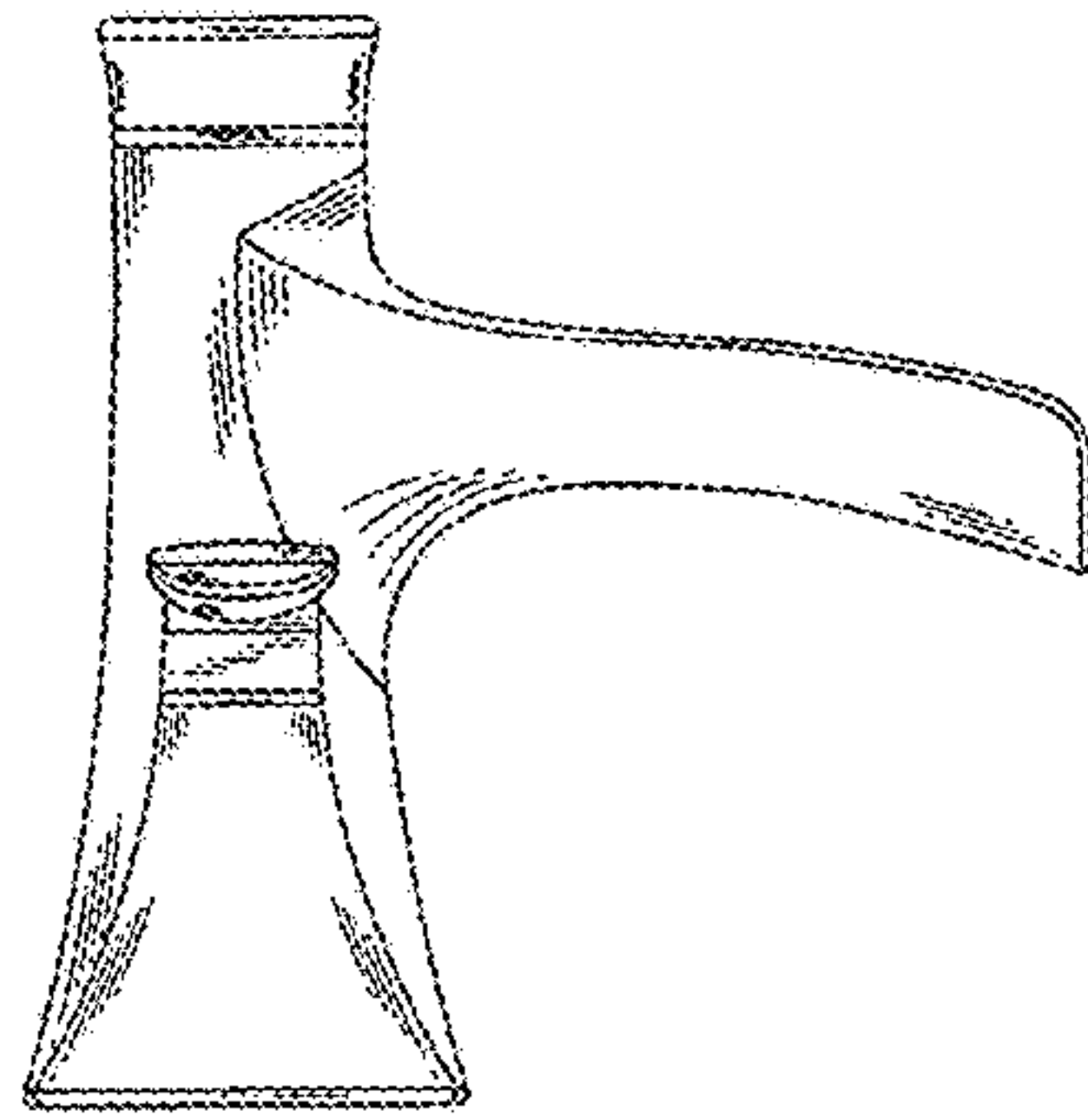


FIG. 4

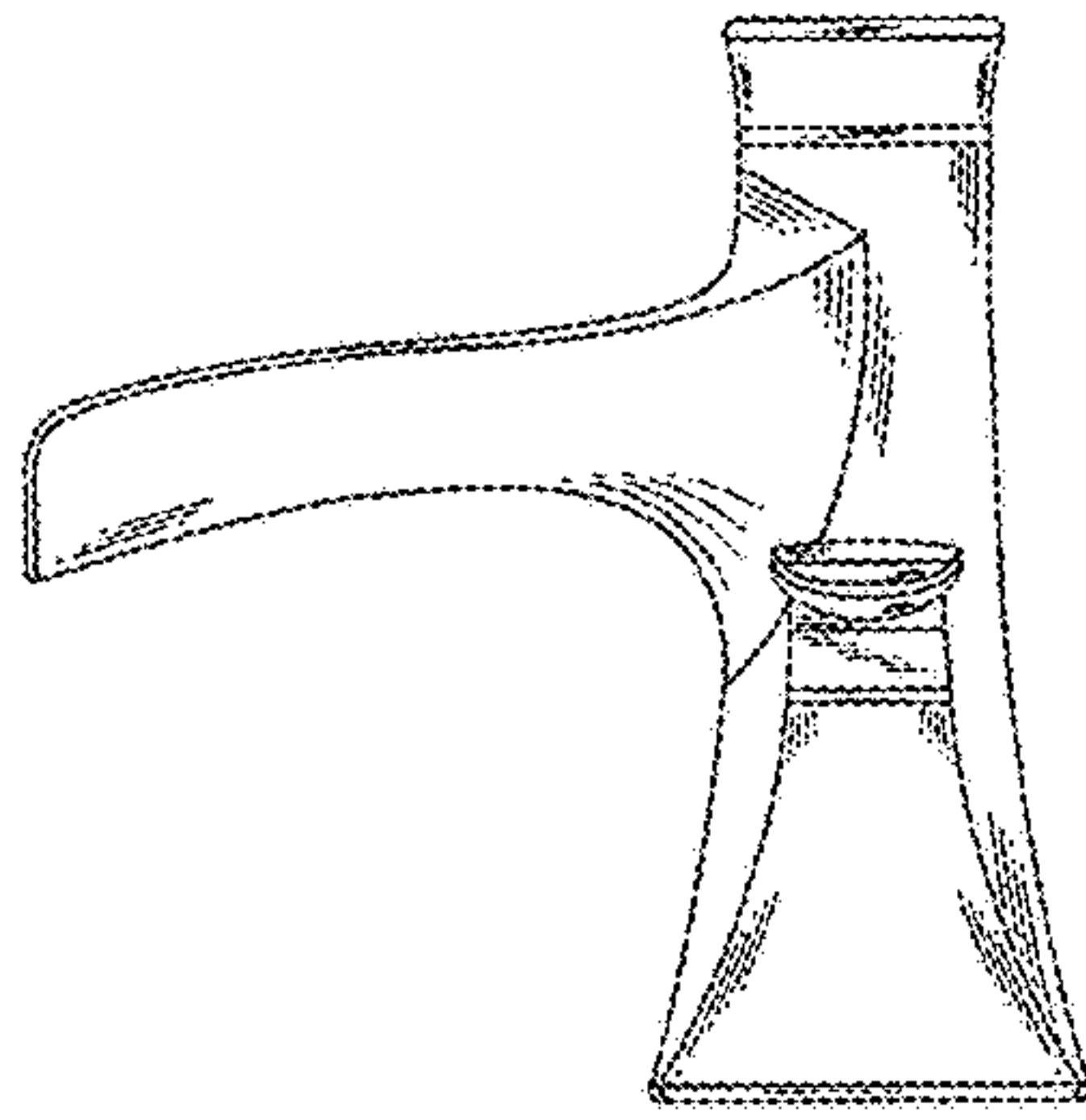


FIG. 5

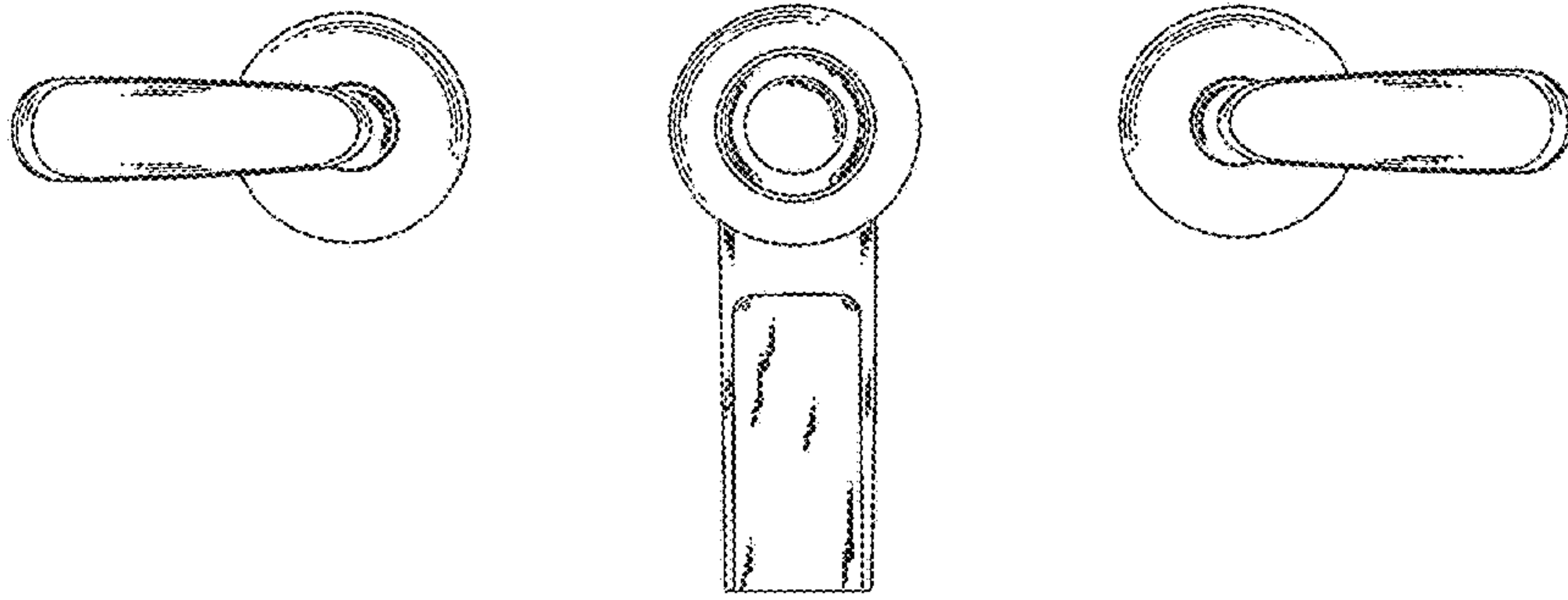


FIG. 6

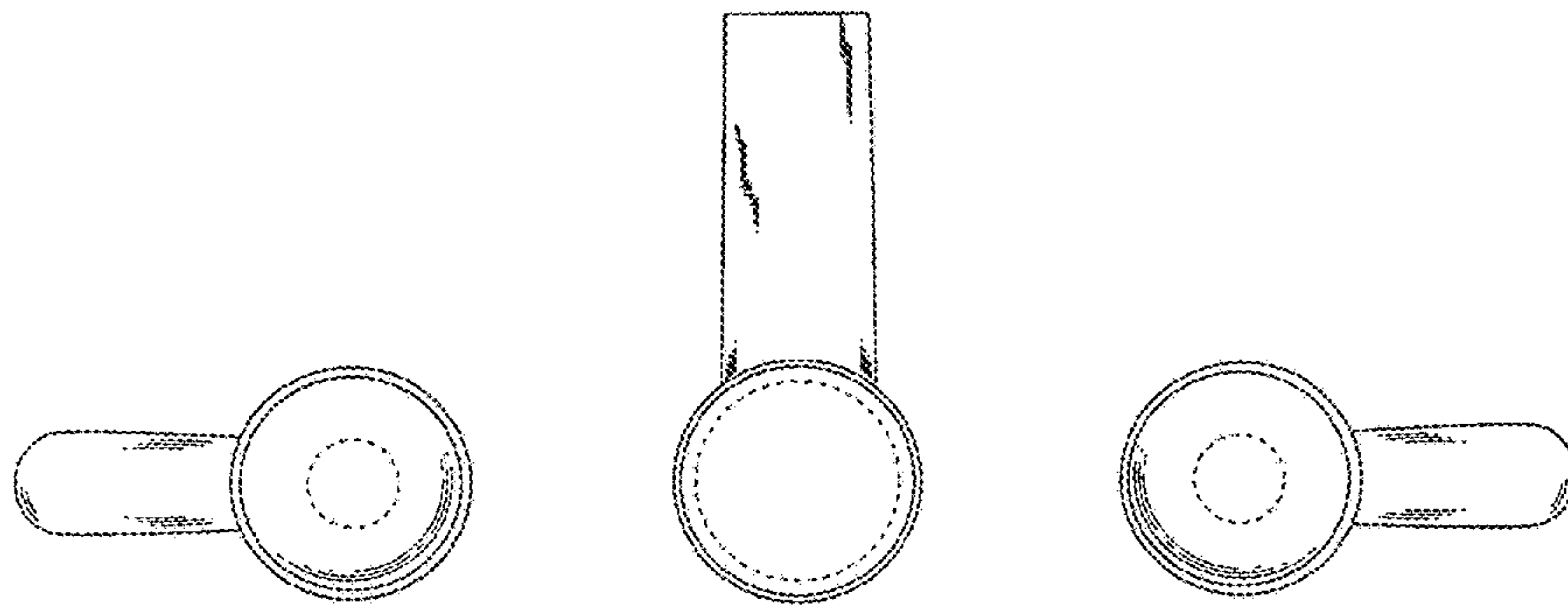


FIG. 7