



US00D865126S

(12) **United States Design Patent**  
**Zeng**

(10) **Patent No.:** **US D865,126 S**

(45) **Date of Patent:** **\*\* Oct. 29, 2019**

(54) **FAUCET**

(71) Applicant: **Foshan Shunde Yajiasi Kitchen Cabinet Co., Ltd.**, Foshan (Guangdong Province) (CN)

(72) Inventor: **Deju Zeng**, Foshan (CN)

(73) Assignee: **Foshan Shunde Yajiasi Kitchen Cabinet Co., Ltd.**, Foshan (CN)

(\*\*) Term: **15 Years**

(21) Appl. No.: **29/633,563**

(22) Filed: **Jan. 15, 2018**

(51) **LOC (12) Cl.** ..... **23-01**

(52) **U.S. Cl.**  
USPC ..... **D23/242**

(58) **Field of Classification Search**  
USPC ..... D23/238, 242–243, 255, 257, 252, 254;  
D8/307–308, 352  
CPC ..... F16K 31/60; F16K 31/602; F16K 31/605;  
F16K 31/607; E03C 1/0412  
See application file for complete search history.

(56) **References Cited**

**U.S. PATENT DOCUMENTS**

5,257,645 A \* 11/1993 Scully ..... E03C 1/04  
137/359  
D406,876 S \* 3/1999 Ko ..... D23/241

D418,581 S \* 1/2000 Warshawsky ..... D23/242  
D430,924 S \* 9/2000 Wei ..... D23/250  
6,345,643 B1 \* 2/2002 Ko ..... E03C 1/0401  
137/315.12  
D460,523 S \* 7/2002 Green ..... D23/241  
D482,757 S \* 11/2003 Blomstrom ..... D23/252  
D527,806 S \* 9/2006 Chu ..... D23/252  
D529,138 S \* 9/2006 Chen ..... D23/241  
D529,997 S \* 10/2006 Chen ..... D23/241

\* cited by examiner

*Primary Examiner* — Robert A Delehanty

(74) *Attorney, Agent, or Firm* — Yong Chen

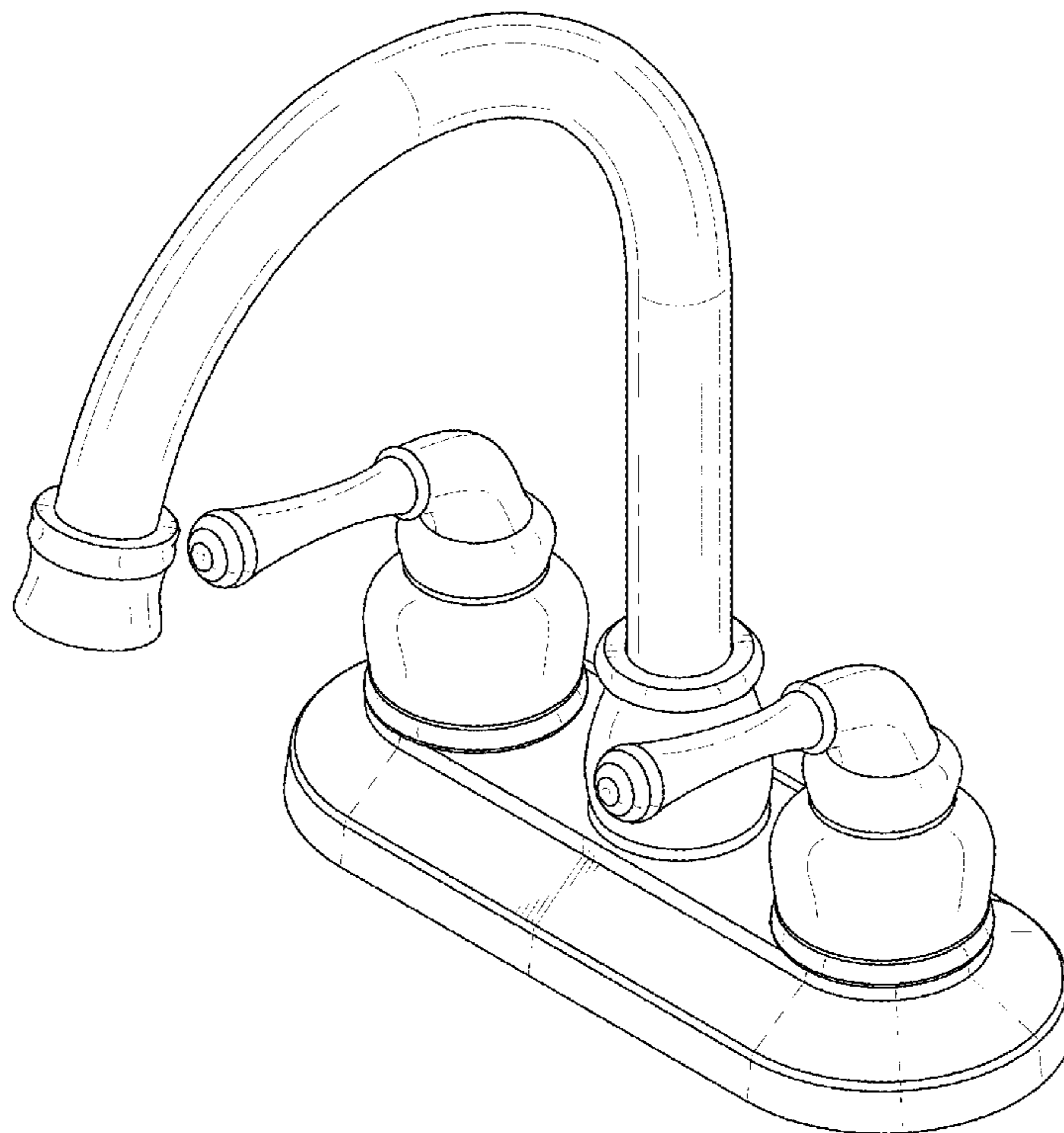
(57) **CLAIM**

The ornamental design for a faucet, as shown and described.

**DESCRIPTION**

FIG. 1 is a front view of a faucet of the present invention.  
FIG. 2 is a back view thereof.  
FIG. 3 is a left view thereof.  
FIG. 4 is a right view thereof.  
FIG. 5 is a top view thereof.  
FIG. 6 is a bottom view thereof; and,  
FIG. 7 is a perspective view thereof.  
The broken line showing of certain portions of the faucet is included for the purpose of illustration only and forms no part of the claimed design.

**1 Claim, 7 Drawing Sheets**



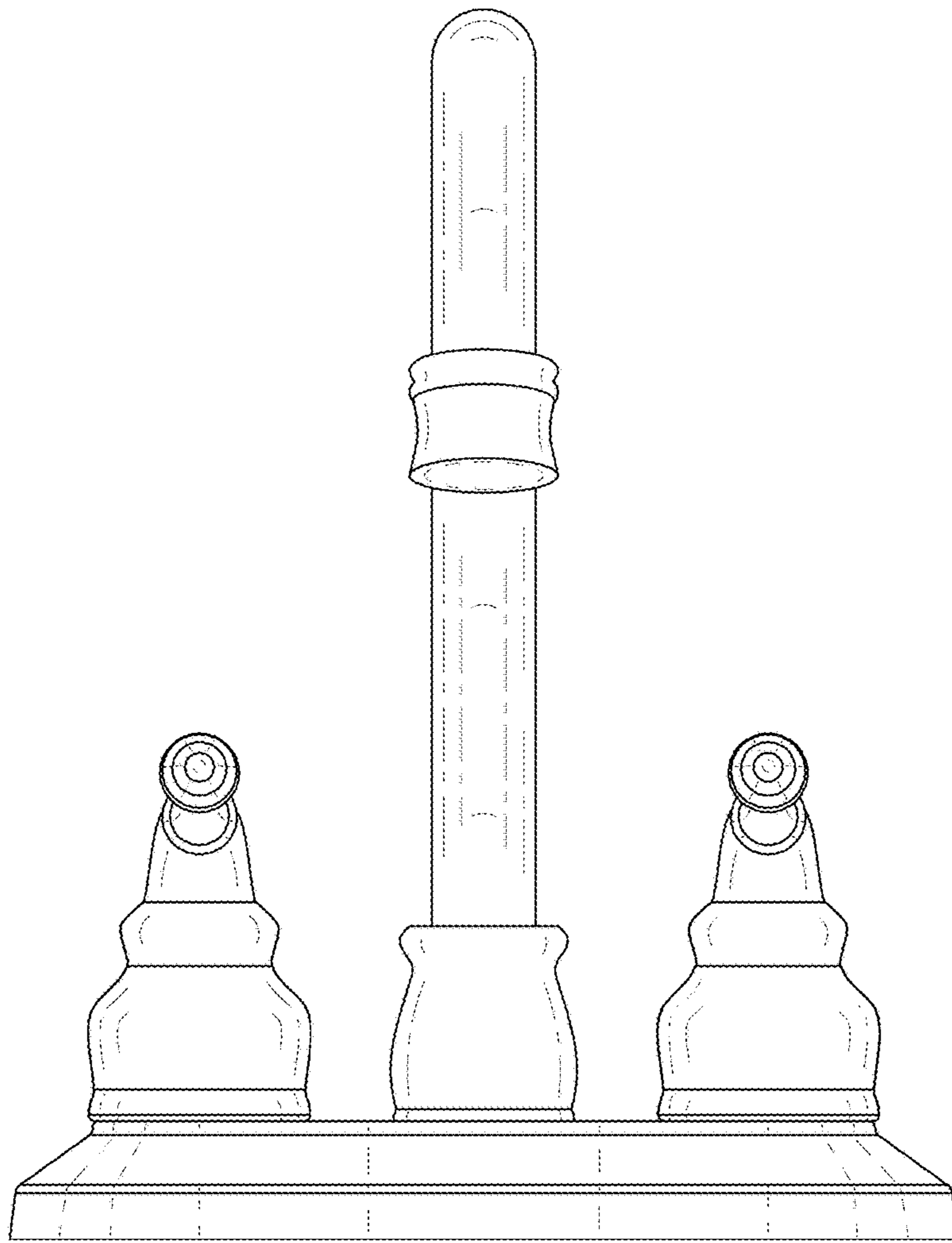


FIG. 1

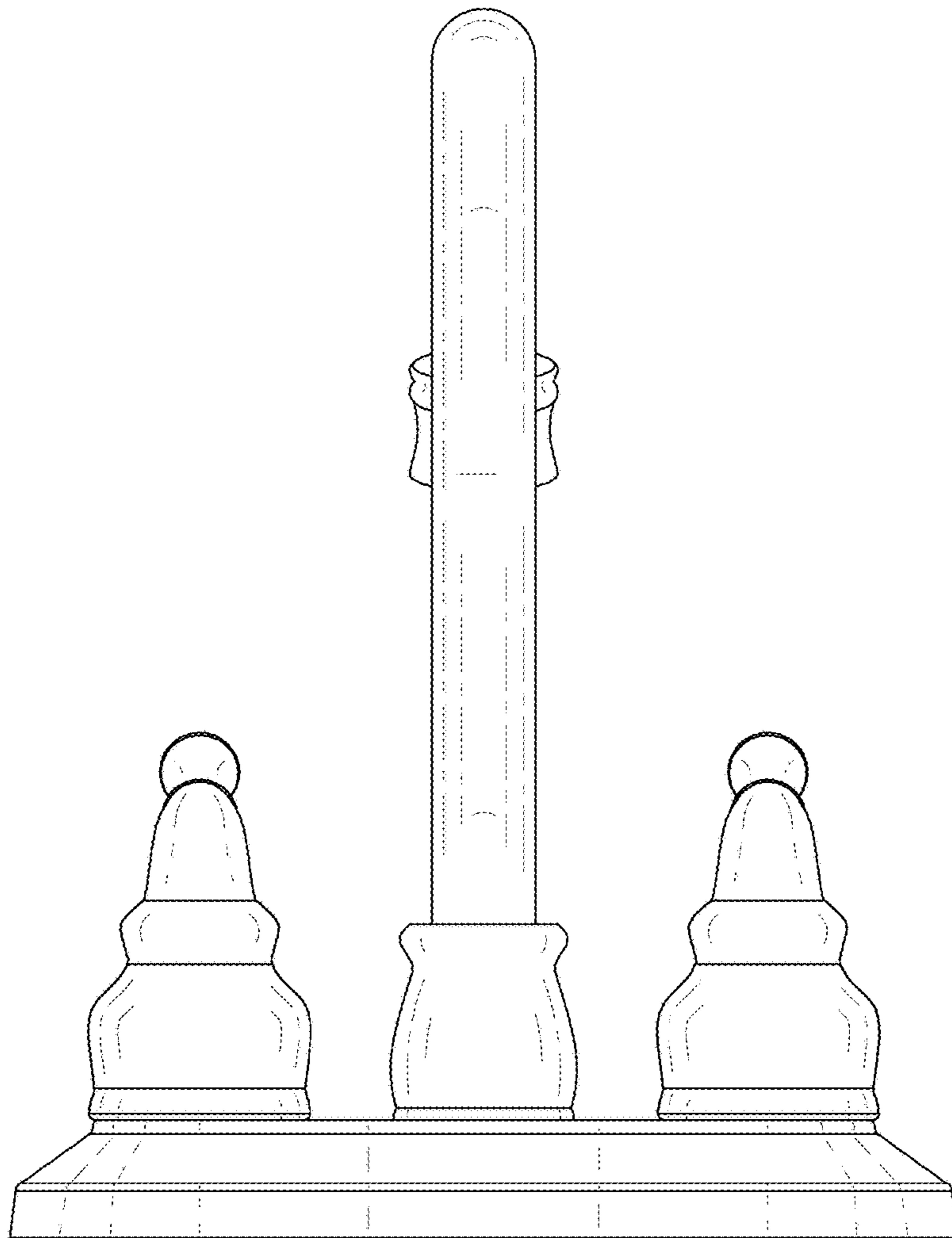


FIG. 2

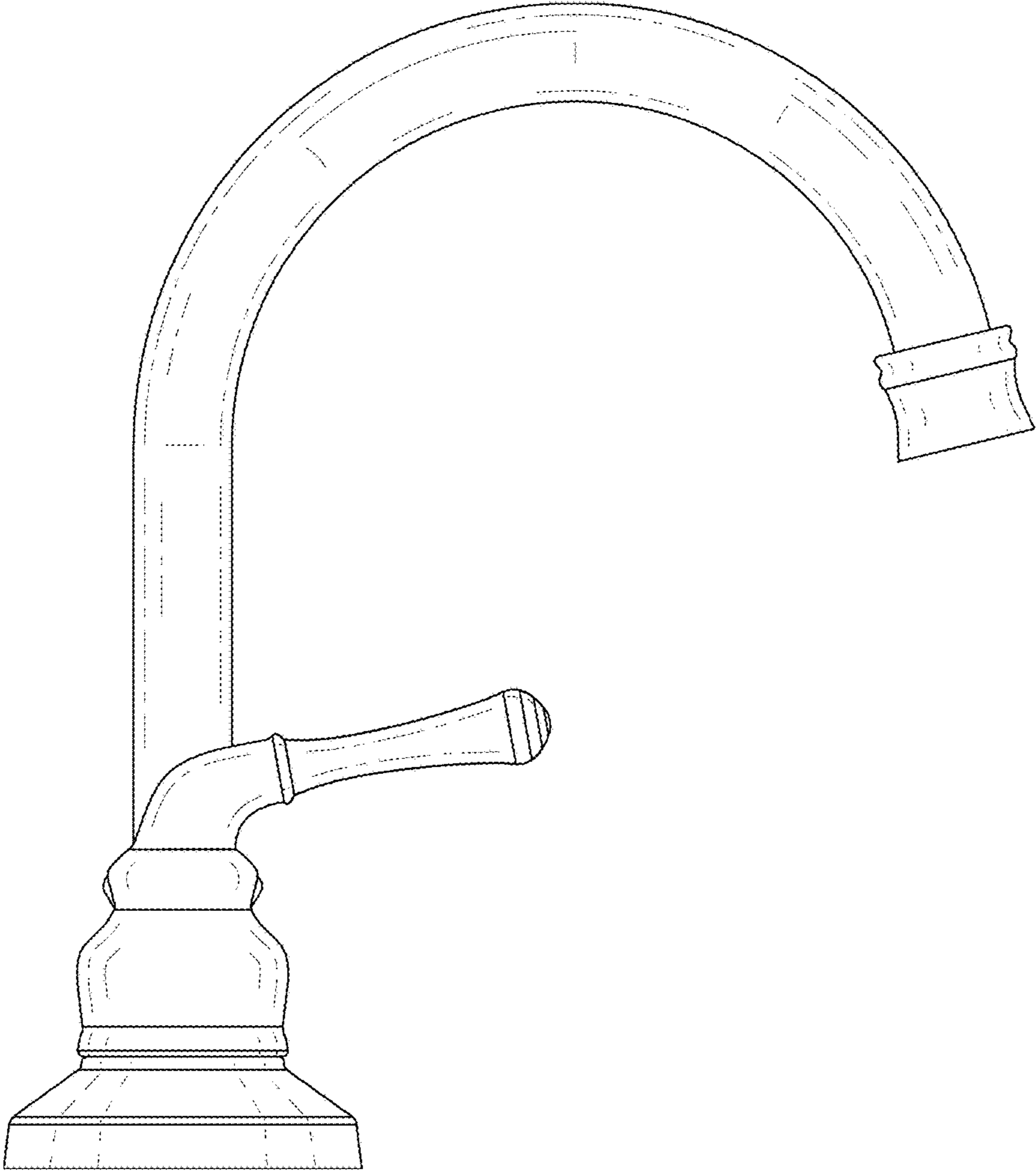


FIG. 3

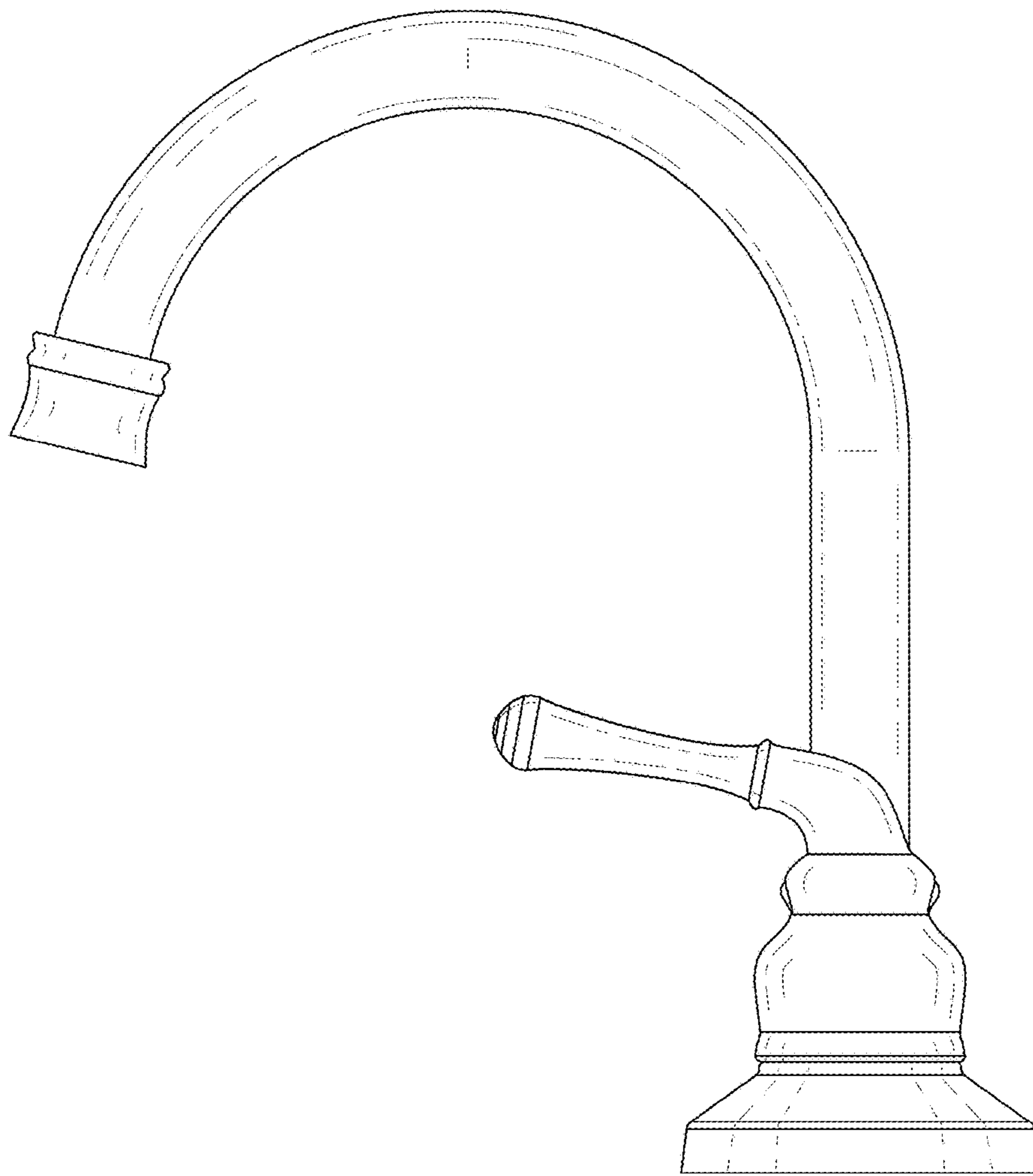


FIG. 4

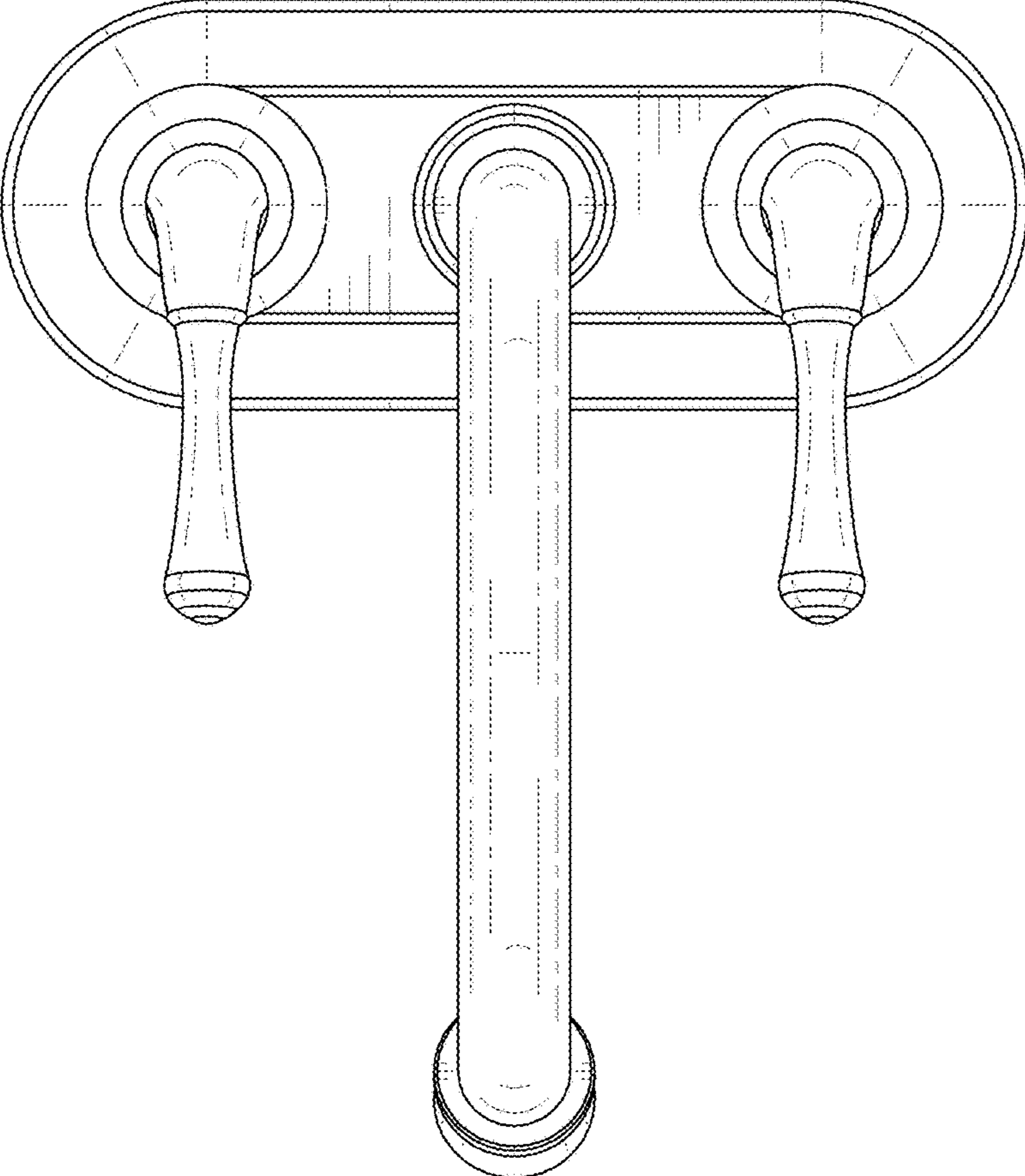


FIG. 5

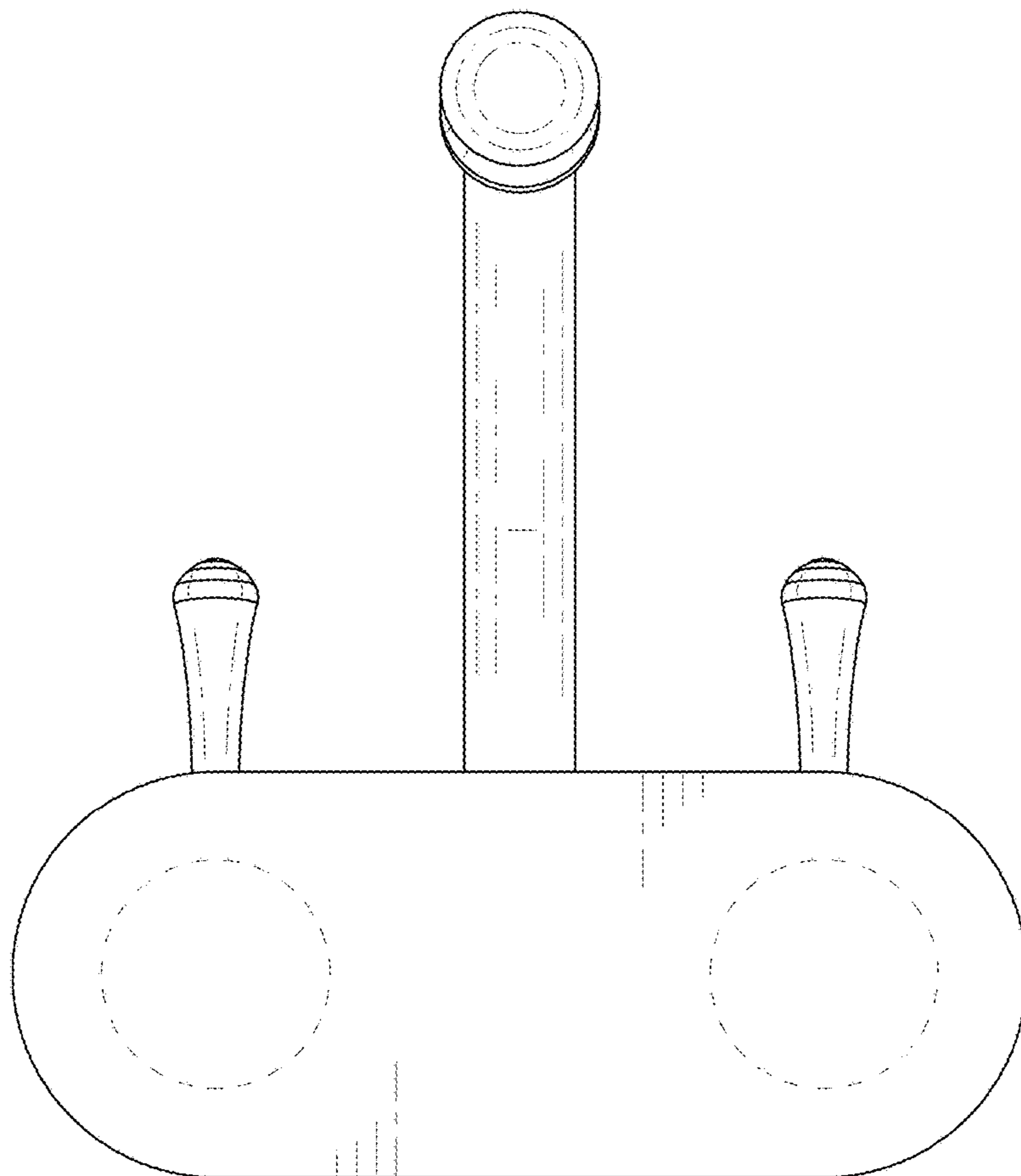


FIG. 6

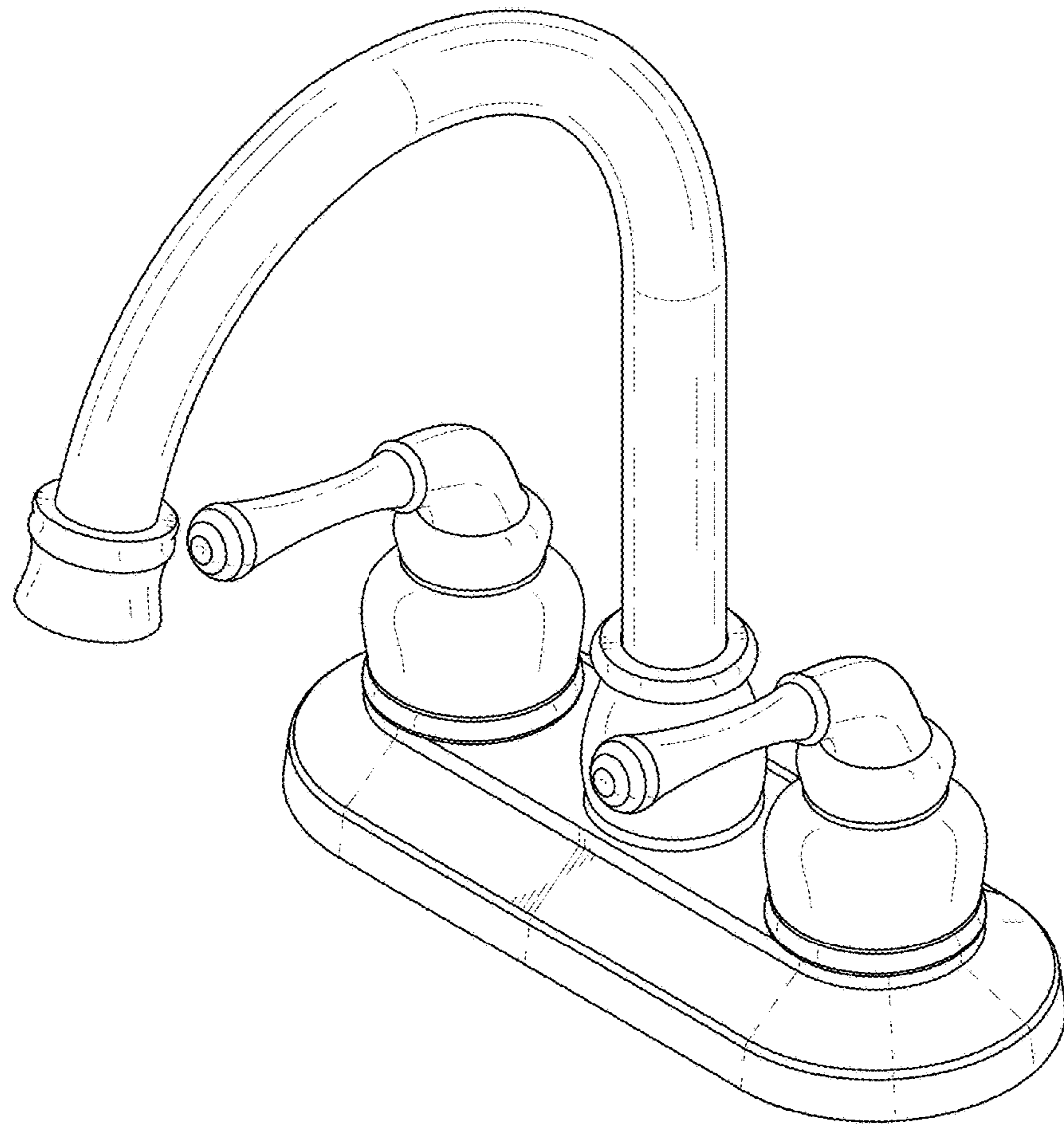


FIG. 7