

US00D865124S

(12) **United States Design Patent** (10) **Patent No.:** **US D865,124 S**
Carpiaux et al. (45) **Date of Patent:** **** Oct. 29, 2019**

(54) **COMBINATION EYEWASH AND FAUCET**

2,635,006 A 4/1953 Richmond
 2,999,249 A 9/1961 Logan et al.
 4,901,927 A 2/1990 Valdivia

(71) Applicant: **Bradley Fixtures Corporation**,
Menomonee Falls, WI (US)

(Continued)

(72) Inventors: **Douglas J. Carpiaux**, Milwaukee, WI (US); **Scott H. Micoley**, Plymouth, WI (US)

OTHER PUBLICATIONS

Speakman Eyewash—Faucets, located via website <http://speakman.com/emergency-equipment/eyewash-faucet> on Jun. 12, 2017, 2 pps.

(73) Assignee: **Bradley Fixtures Corporation**,
Menomonee Falls, WI (US)

Primary Examiner — Robert A Delehanty

(74) *Attorney, Agent, or Firm* — Foley & Lardner LLP

(**) Term: **15 Years**

(57) **CLAIM**

(21) Appl. No.: **29/674,611**

We claim the ornamental design for a combination eyewash and faucet, as shown and described.

(22) Filed: **Dec. 21, 2018**

DESCRIPTION

Related U.S. Application Data

(60) Continuation of application No. 29/669,058, filed on Nov. 5, 2018, which is a division of application No. 29/607,253, filed on Jun. 12, 2017, now abandoned.

(51) **LOC (12) Cl.** **23-01**

(52) **U.S. Cl.**
USPC **D23/239**

(58) **Field of Classification Search**
USPC D23/238–243, 249–250, 252, 254–255,
D23/257; D08/307–308
CPC A61H 35/02; A61H 2033/012; Y10T
137/9464

See application file for complete search history.

(56) **References Cited**

U.S. PATENT DOCUMENTS

1,079,441 A 11/1913 Roethlisberger
 1,354,838 A 10/1920 Perkins
 1,524,484 A 1/1925 Lutz

FIG. 1 is a front, right, perspective view of the claimed design with the eyewash and faucet in a first position of a plurality of positions;

FIG. 2 is a front side view of the claimed design of FIG. 1;

FIG. 3 is a rear side view of the claimed design of FIG. 1;

FIG. 4 is a right side view of the claimed design of FIG. 1;

FIG. 5 is a left side view of the claimed design of FIG. 1;

FIG. 6 is a top view of the claimed design of FIG. 1;

FIG. 7 is a front, right, perspective view of the claimed design of FIG. 1 with the eyewash and faucet in a second position of a plurality of positions;

FIG. 8 is a front side view of the claimed design of FIG. 7;

FIG. 9 is a rear side view of the claimed design of FIG. 7;

FIG. 10 is a right side view of the claimed design of FIG. 7;

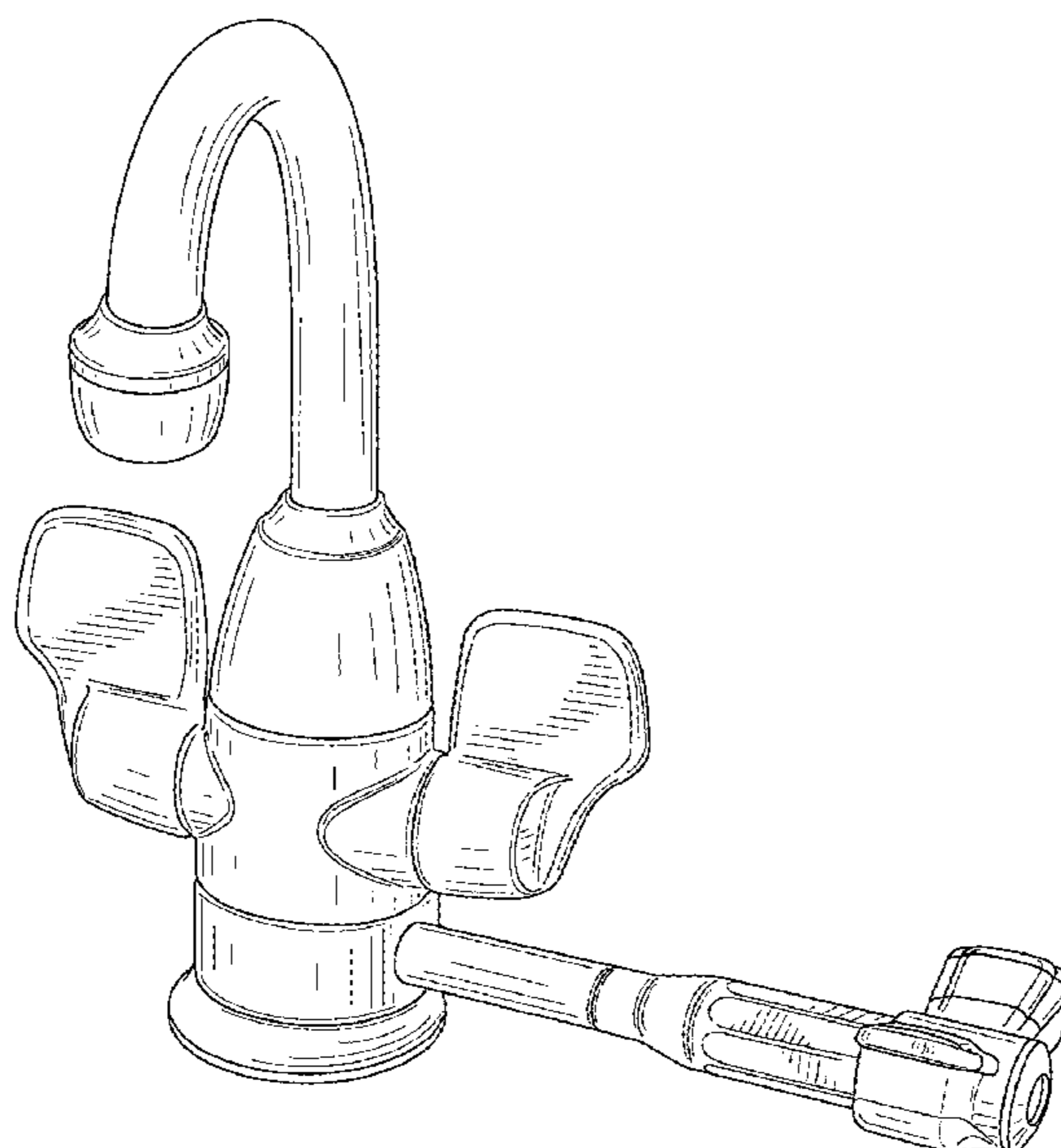
FIG. 11 is a left side view of the claimed design of FIG. 7;

and,

FIG. 12 is a top view of the claimed design of FIG. 7.

The ornamental design which is claimed is shown in solid lines in the drawings.

1 Claim, 12 Drawing Sheets



(56)

References Cited

U.S. PATENT DOCUMENTS

4,975,993	A	12/1990	Black et al.	
D330,071	S *	10/1992	Zerlia	D23/241
5,530,972	A	7/1996	Tanner	
D373,815	S *	9/1996	Chaney	D23/241
5,740,569	A	4/1998	Gurries, II et al.	
D437,394	S *	2/2001	Mark	D23/238
6,227,456	B1	5/2001	Colman	
6,385,794	B1 *	5/2002	Miedzius	A61H 35/02 239/16
6,520,431	B2	2/2003	Donovan	
6,611,972	B2 *	9/2003	Underbrink	E03C 1/04 4/619
6,782,568	B2 *	8/2004	Novak	A61H 35/02 239/16
D543,827	S *	6/2007	Citterio	D8/308
7,552,747	B1	6/2009	Sargsyan	
7,997,513	B2	8/2011	Chen et al.	
D706,399	S *	6/2014	Yang	D23/252
9,492,348	B2	11/2016	Novak et al.	
9,855,189	B2 *	1/2018	Eveleigh	A61H 35/02

* cited by examiner

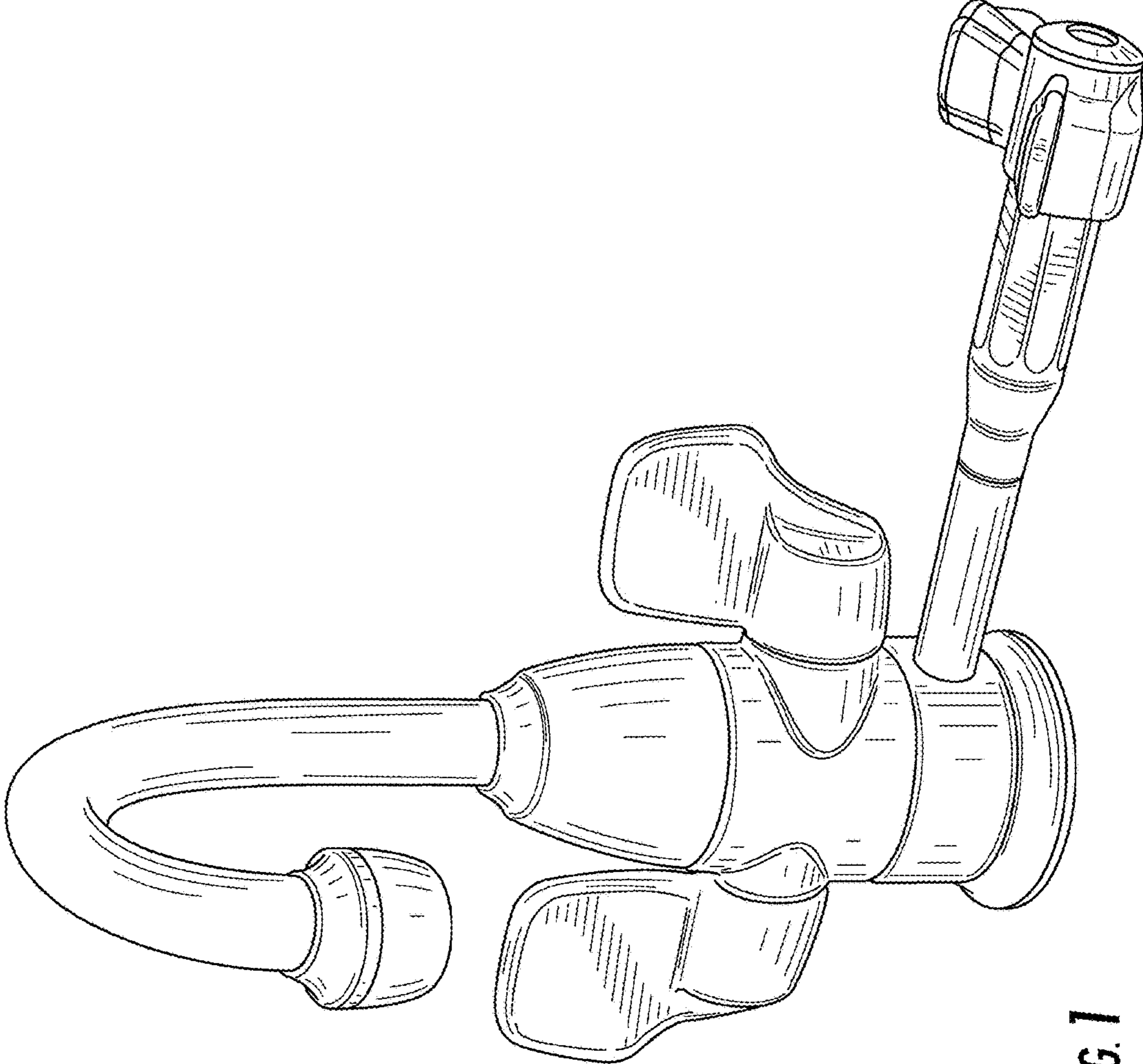


FIG. 1

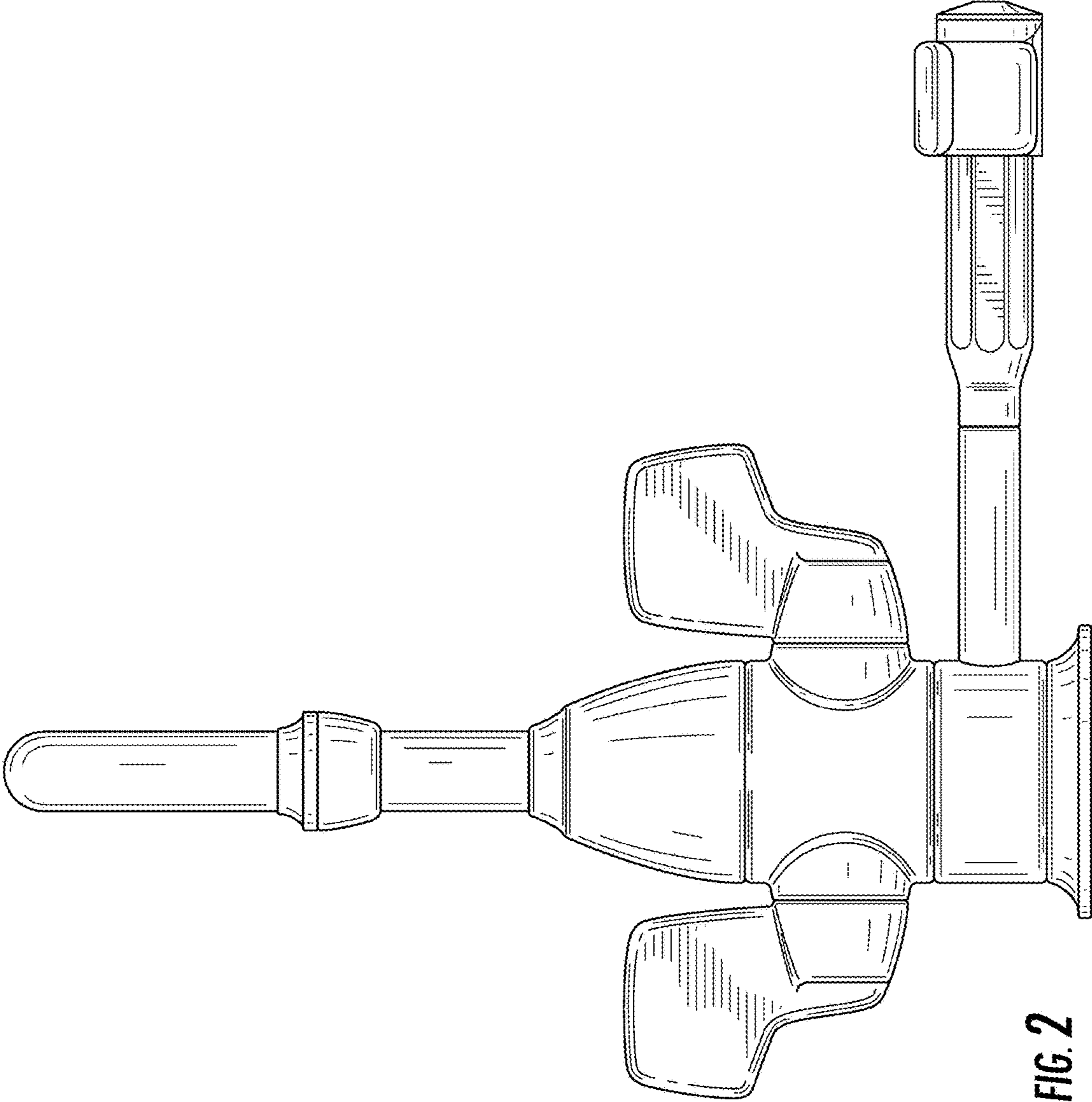


FIG. 2

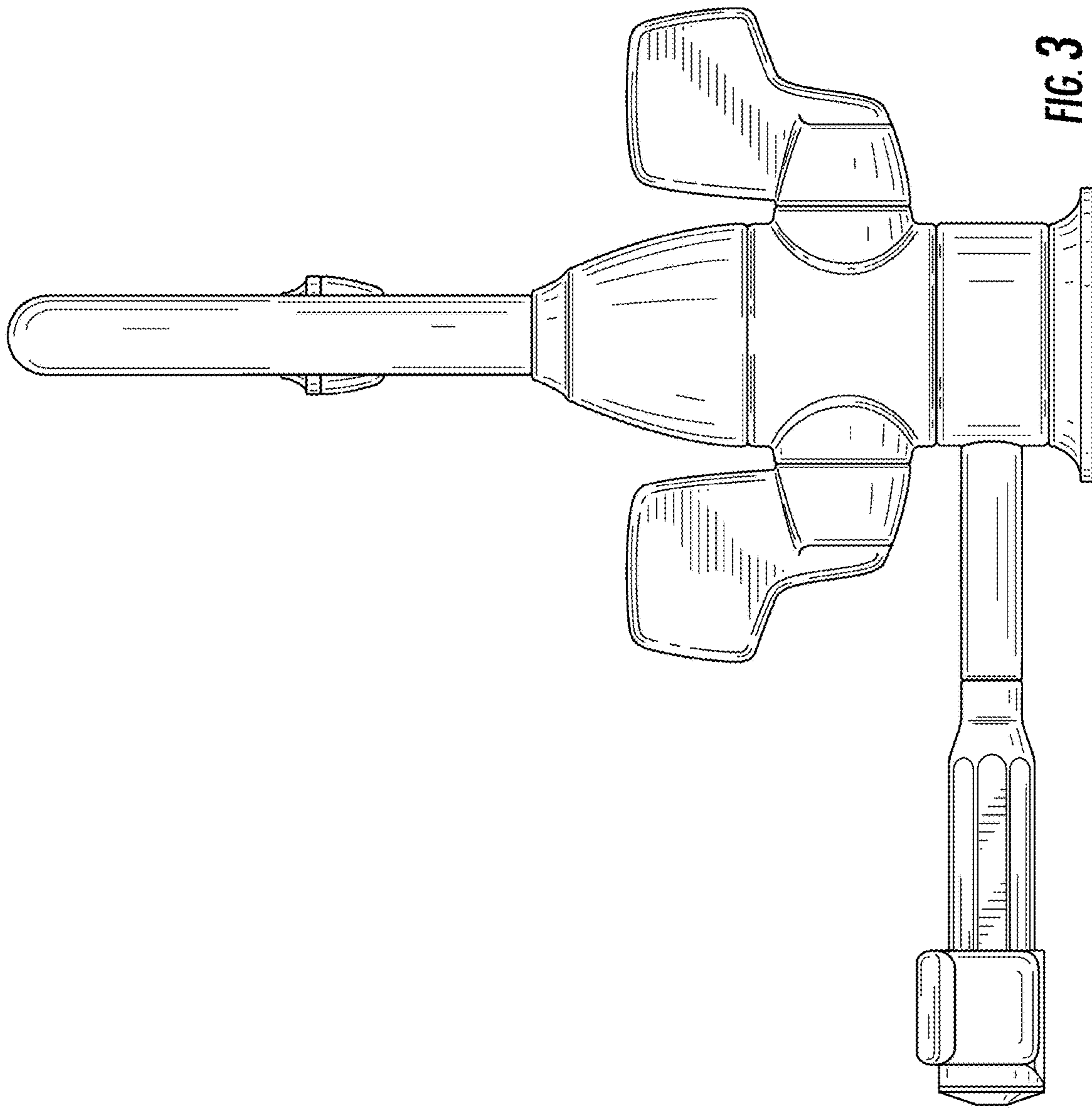


FIG. 3

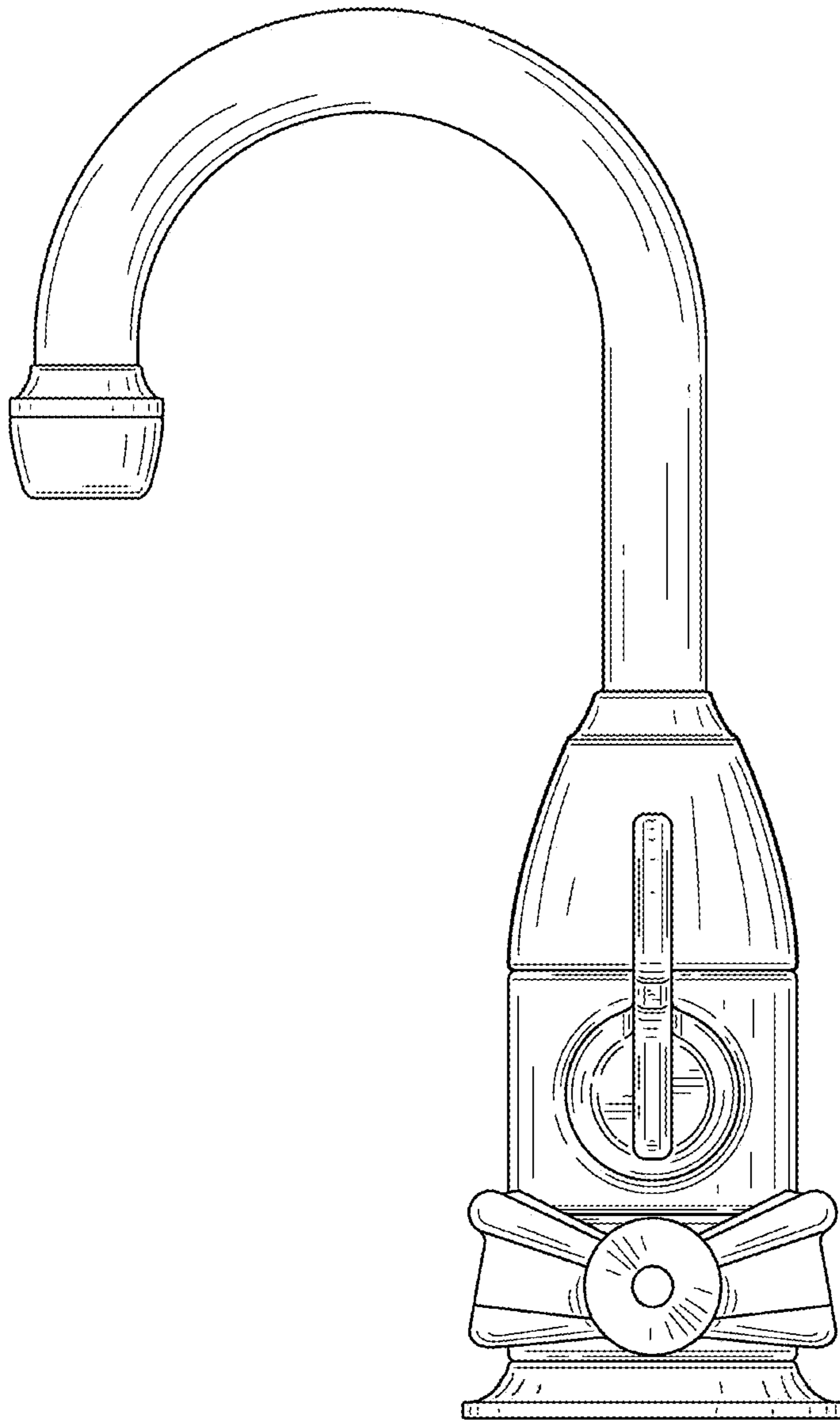


FIG. 4

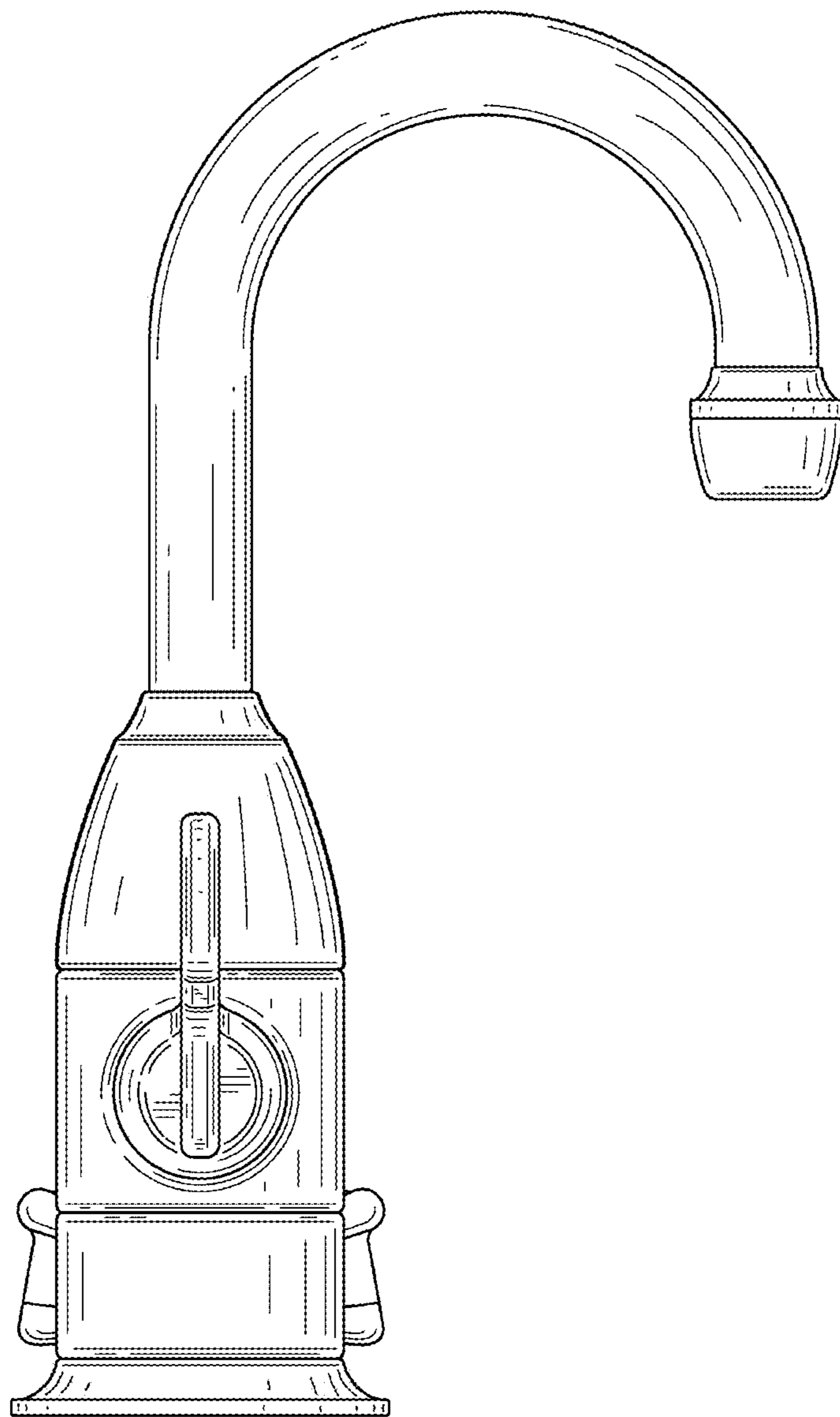


FIG. 5

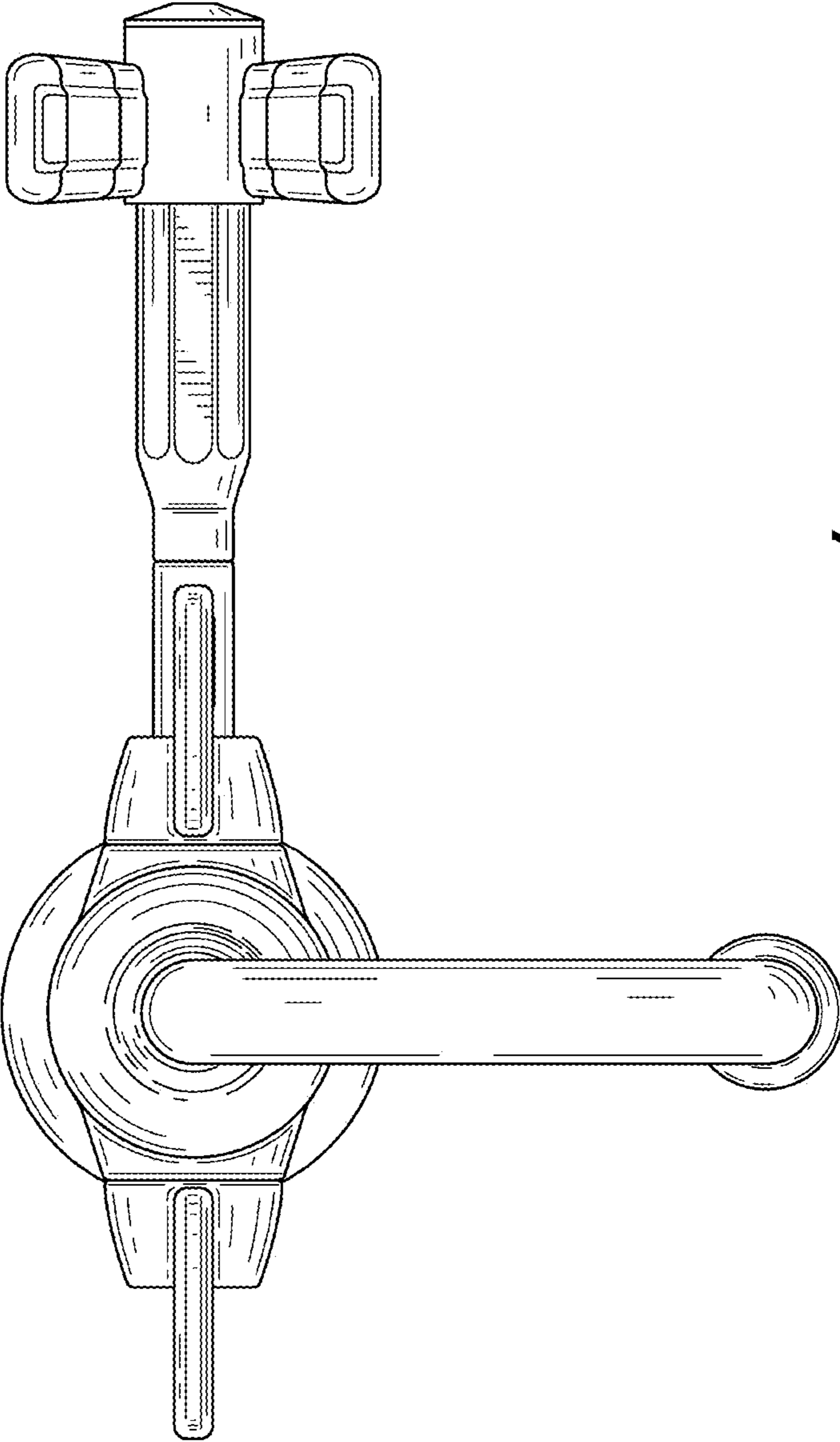


FIG. 6

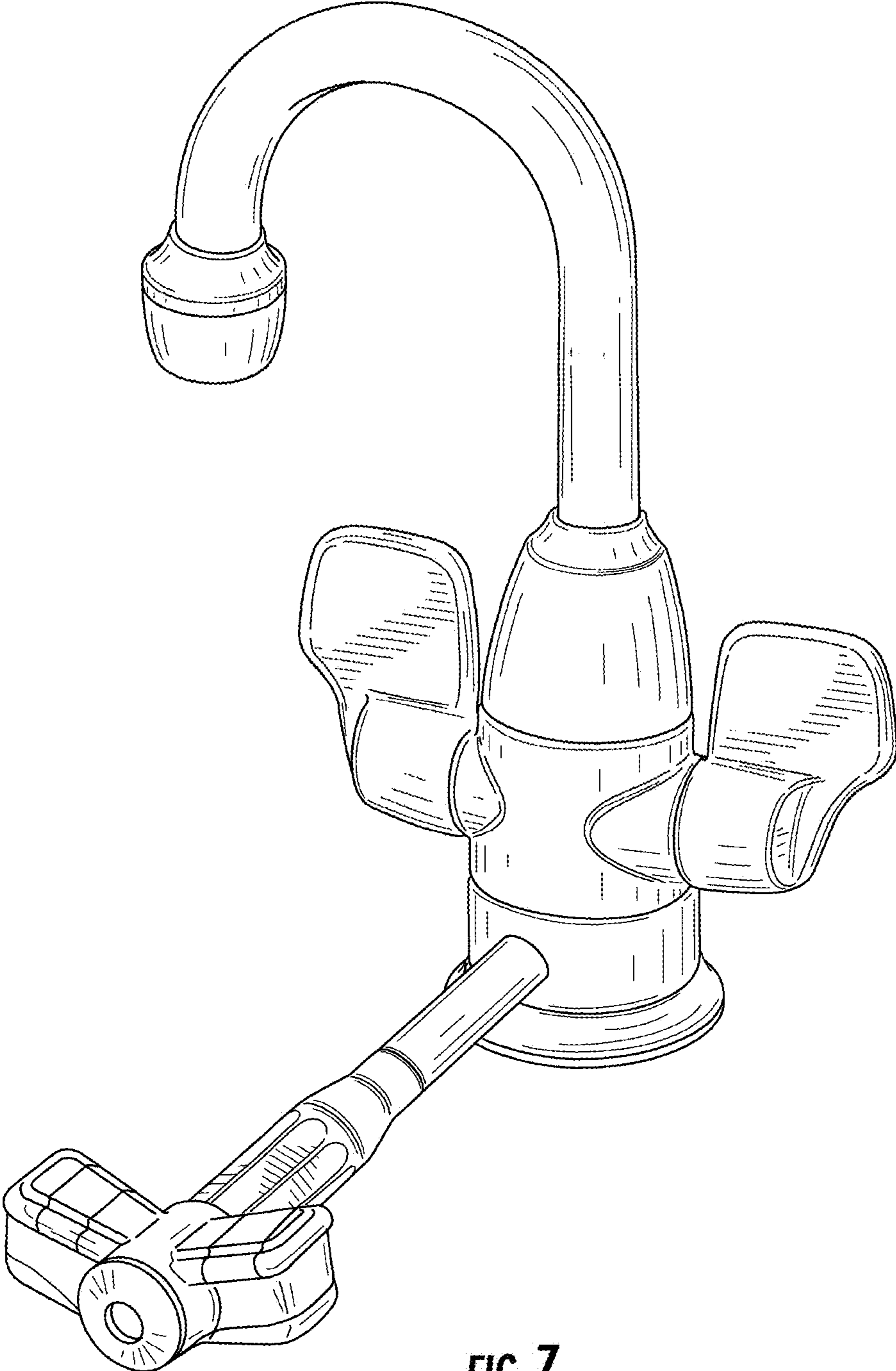


FIG. 7

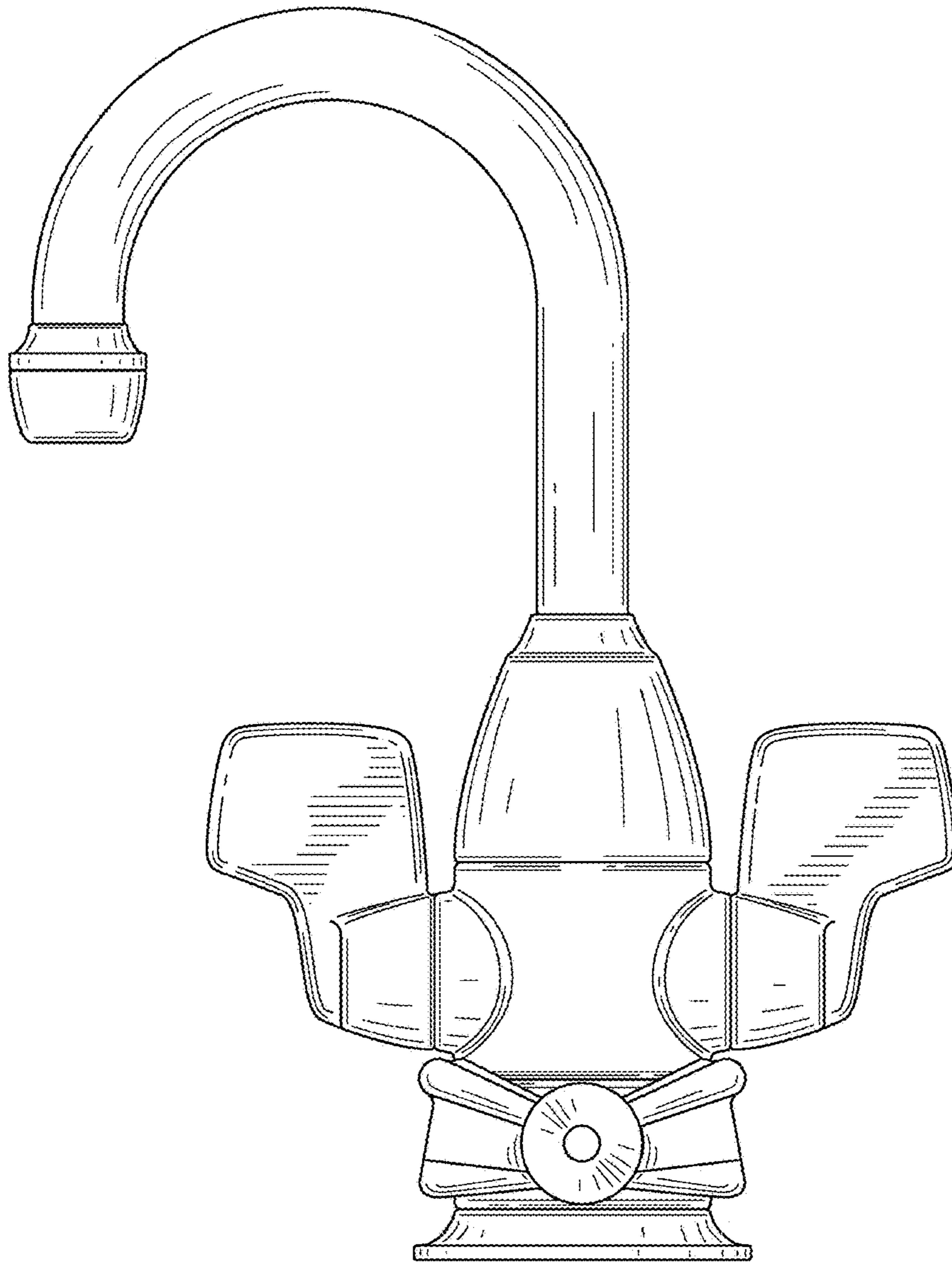


FIG. 8

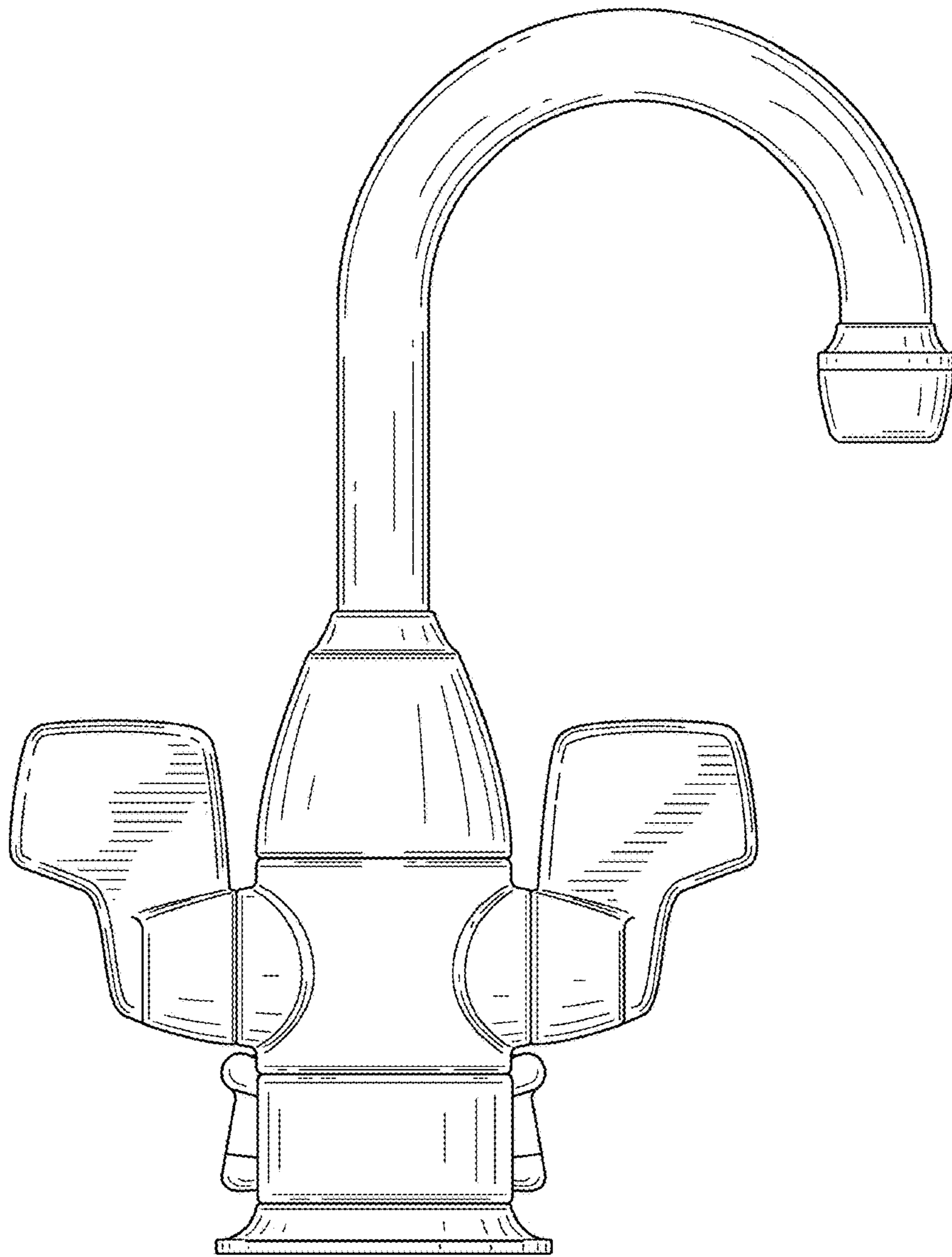
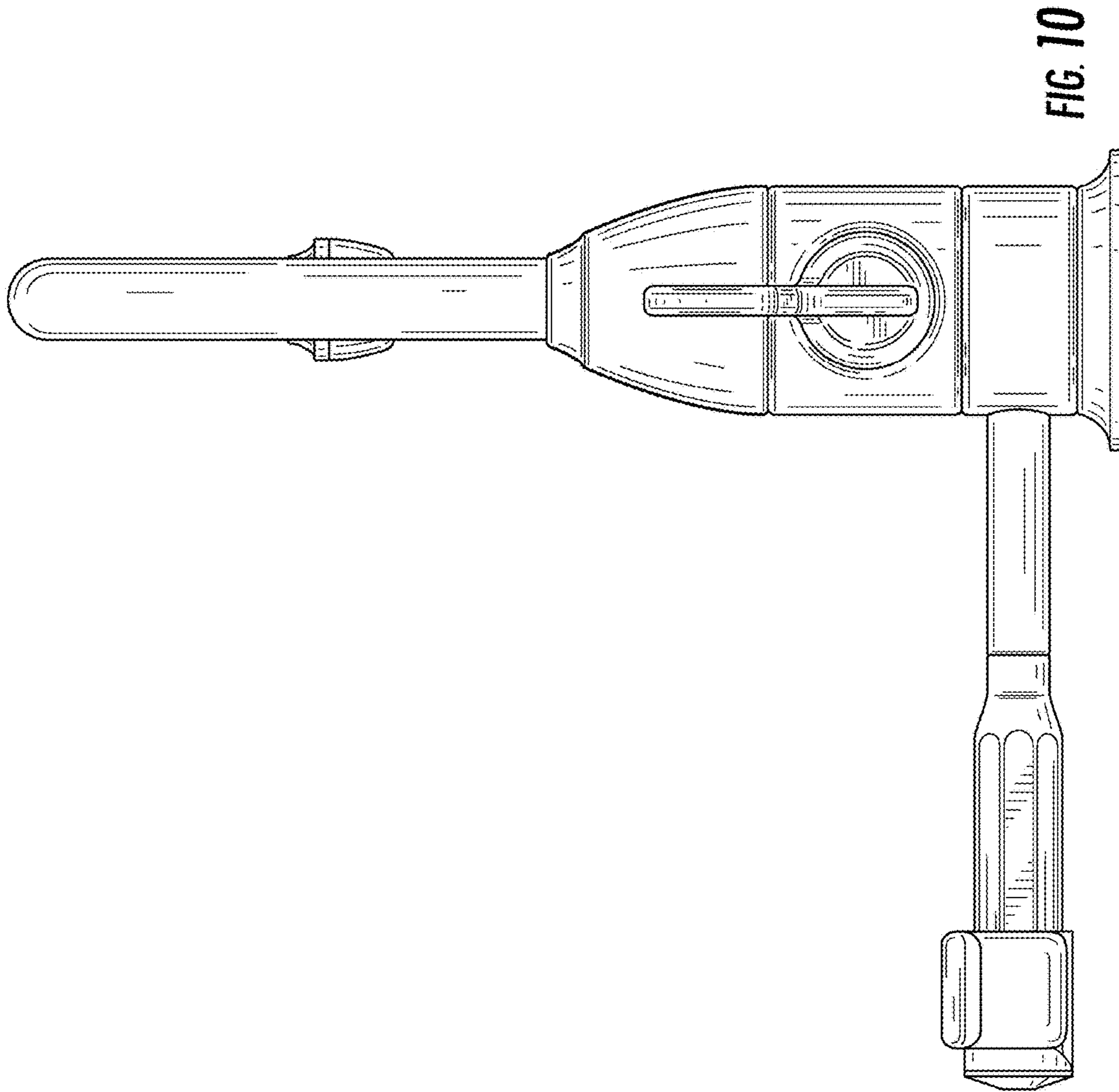


FIG. 9



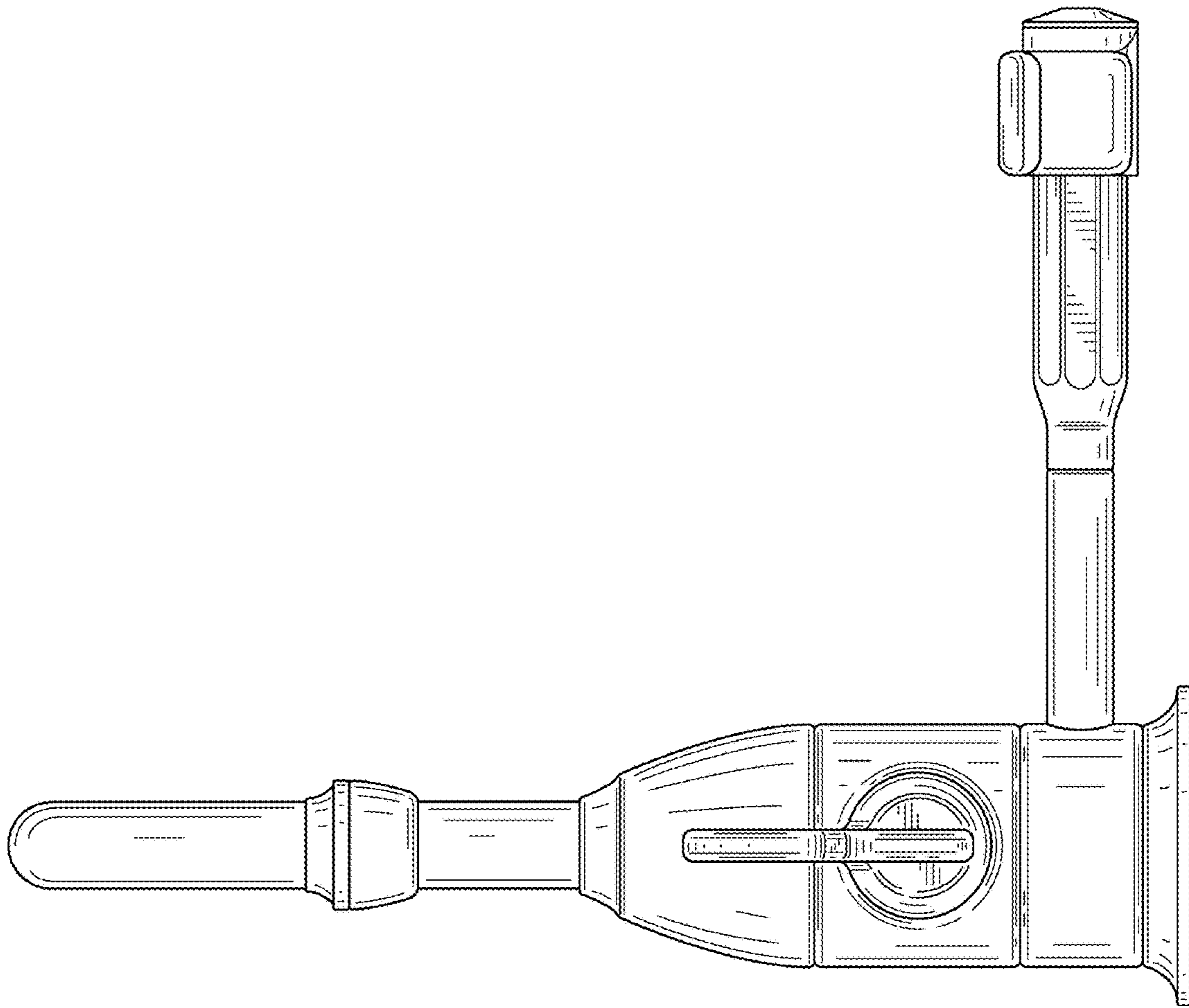


FIG. 11

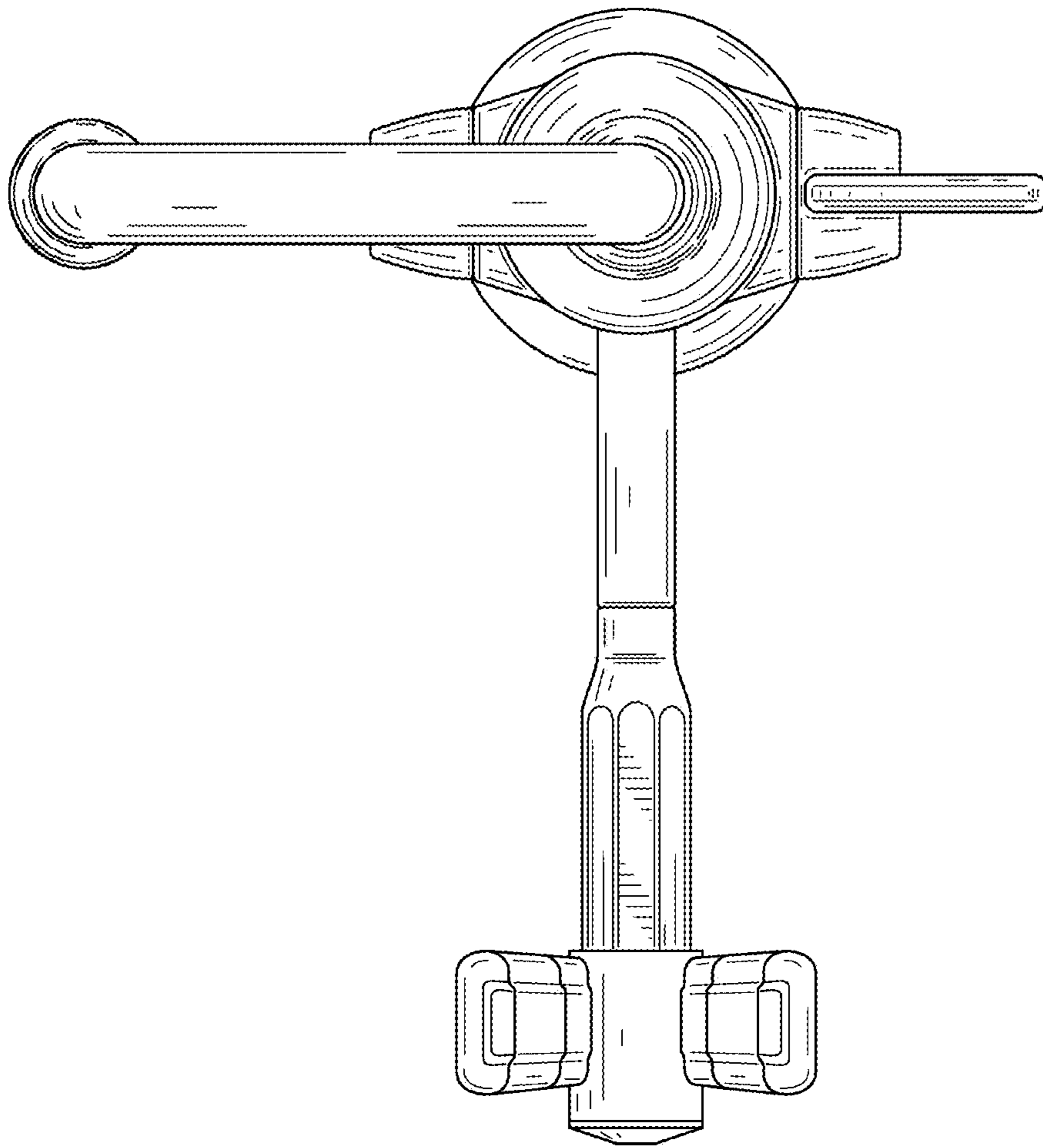


FIG. 12