



US00D865122S

(12) **United States Design Patent** (10) **Patent No.:** **US D865,122 S**
Eads (45) **Date of Patent:** **** Oct. 29, 2019**

(54) **FAUCET**
(71) Applicant: **DELTA FAUCET COMPANY,**
Indianapolis, IN (US)
(72) Inventor: **Thad Eads,** Urbana, IN (US)
(73) Assignee: **DELTA FAUCET COMPANY,**
Indianapolis, IN (US)
(**) Term: **15 Years**
(21) Appl. No.: **29/653,721**
(22) Filed: **Jun. 18, 2018**
(51) **LOC (12) Cl.** **23-01**
(52) **U.S. Cl.**
USPC **D23/238**
(58) **Field of Classification Search**
USPC D23/238, 241-243, 255, 257, 252, 254;
D8/307-308
CPC F16K 31/60; F16K 31/602; F16K 31/605;
F16K 31/607; E03C 1/0412
See application file for complete search history.

(56) **References Cited**
U.S. PATENT DOCUMENTS
5,590,504 A * 1/1997 Heard G09F 7/18
248/218.4
D390,921 S * 2/1998 Steffes D23/250
7,122,739 B2 * 10/2006 Franks, Jr. H01R 4/643
174/51

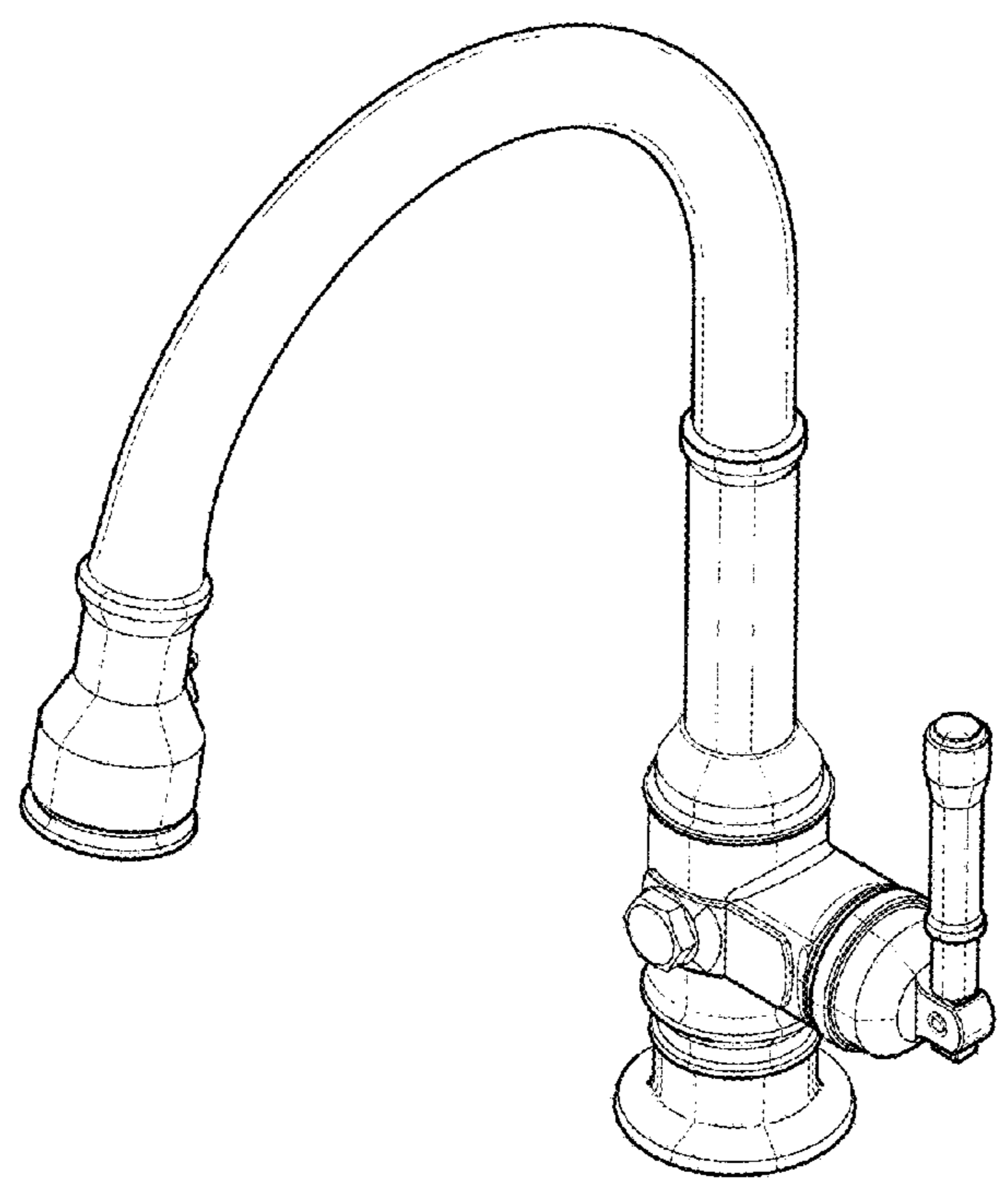
D550,330 S * 9/2007 Mullenmeister D23/238
D611,124 S * 3/2010 Schoenherr D23/238
D686,300 S * 7/2013 Fritz D23/238
D786,405 S * 5/2017 Schaubach D23/238
D810,874 S * 2/2018 Bahler D23/238
D810,884 S * 2/2018 Garland D23/252
D822,172 S * 7/2018 Bennett D23/242
D827,783 S * 9/2018 Garland D23/254
D828,508 S * 9/2018 Fritz D23/238
D840,509 S * 2/2019 Garland D23/238

* cited by examiner
Primary Examiner — Robert A Delehanty
(74) *Attorney, Agent, or Firm* — Edgar A. Zarins; Nirav D. Parikh

(57) **CLAIM**
The ornamental design for a faucet, as shown and described.

DESCRIPTION
FIG. 1 is a perspective view of a faucet showing my new design;
FIG. 2 is a top plan view thereof;
FIG. 3 is a bottom view thereof;
FIG. 4 is a front elevational view thereof;
FIG. 5 is a left side view thereof;
FIG. 6 is a rear view thereof; and,
FIG. 7 is a right side view thereof.
The broken-line disclosure in the views represents a portion of the faucet in which the claimed design is embodied, but which forms no part of the claimed design.

1 Claim, 3 Drawing Sheets



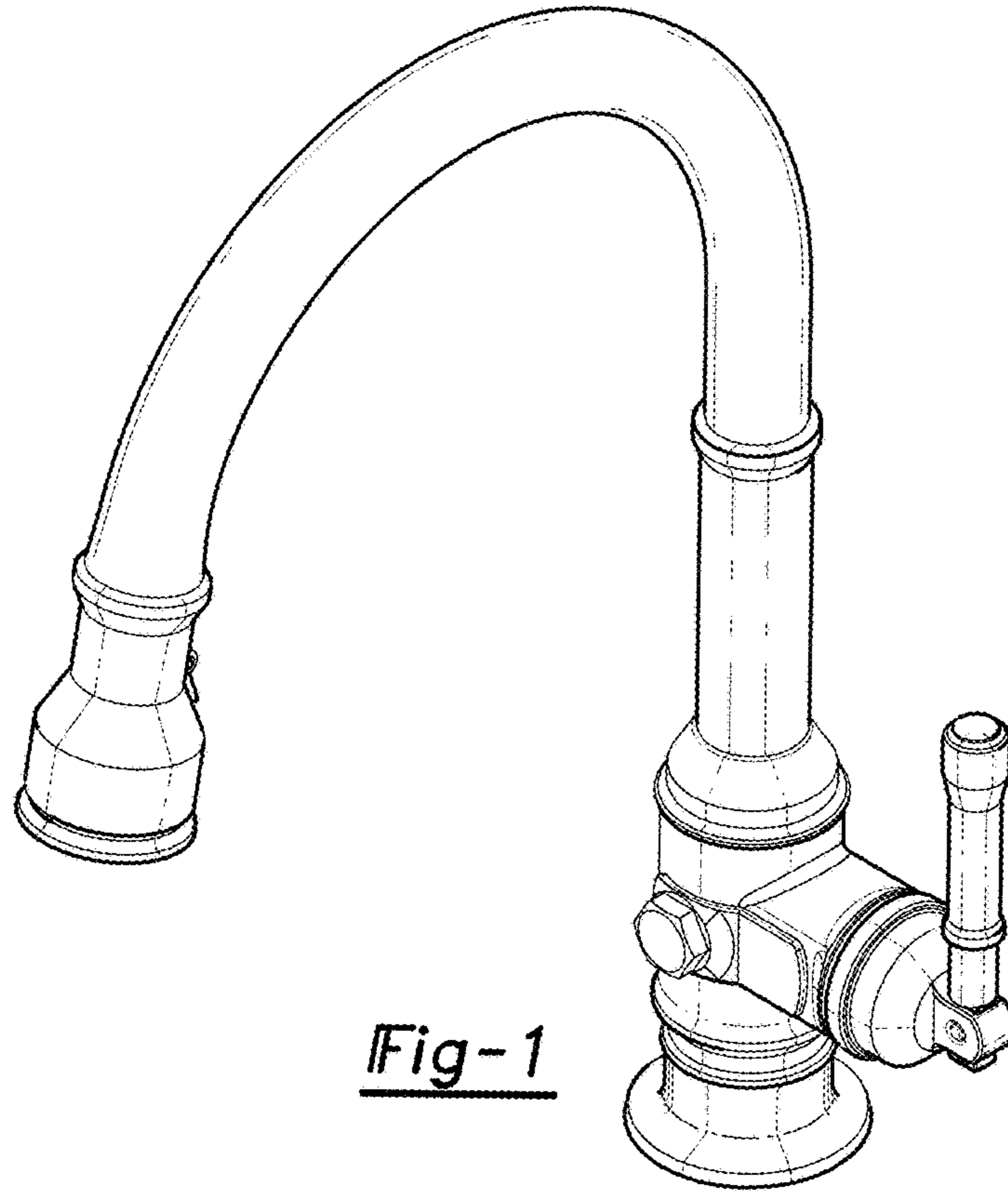


Fig-1

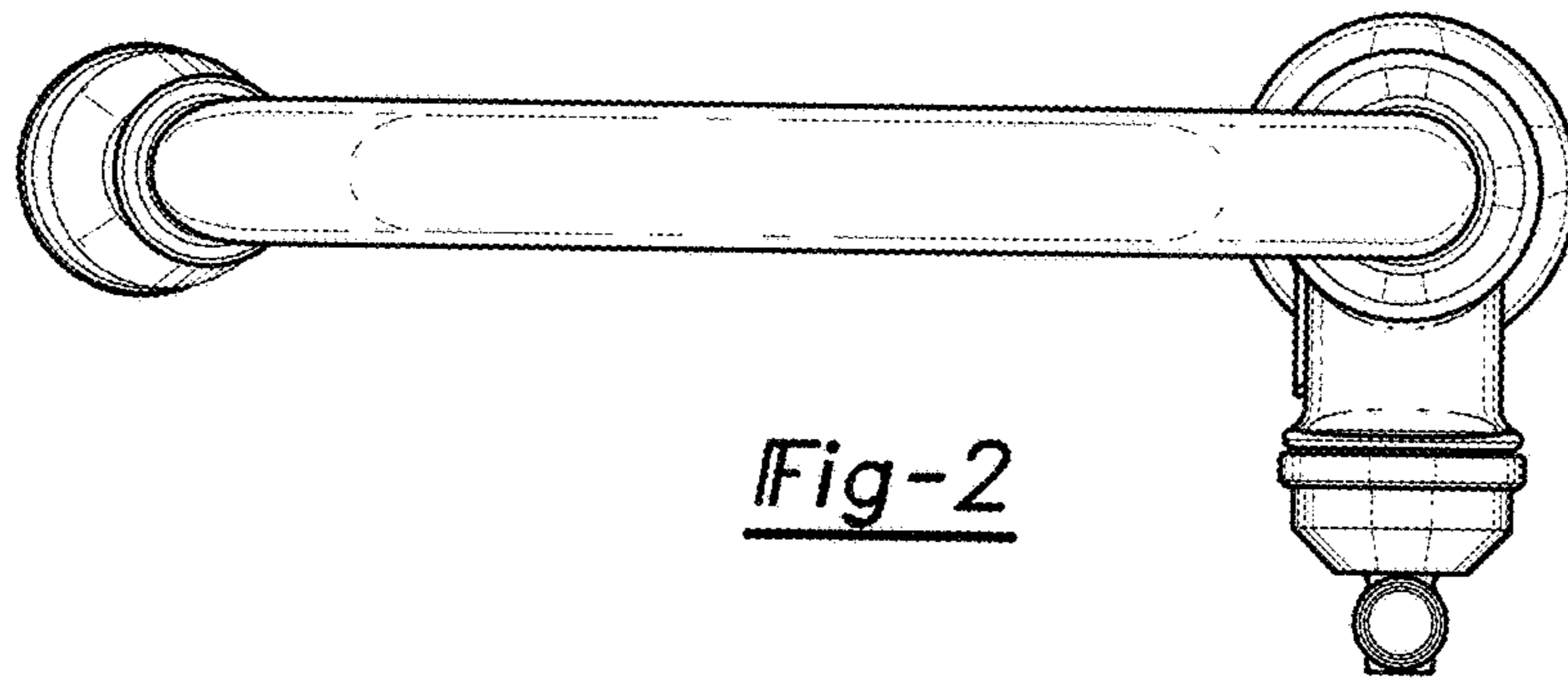


Fig-2

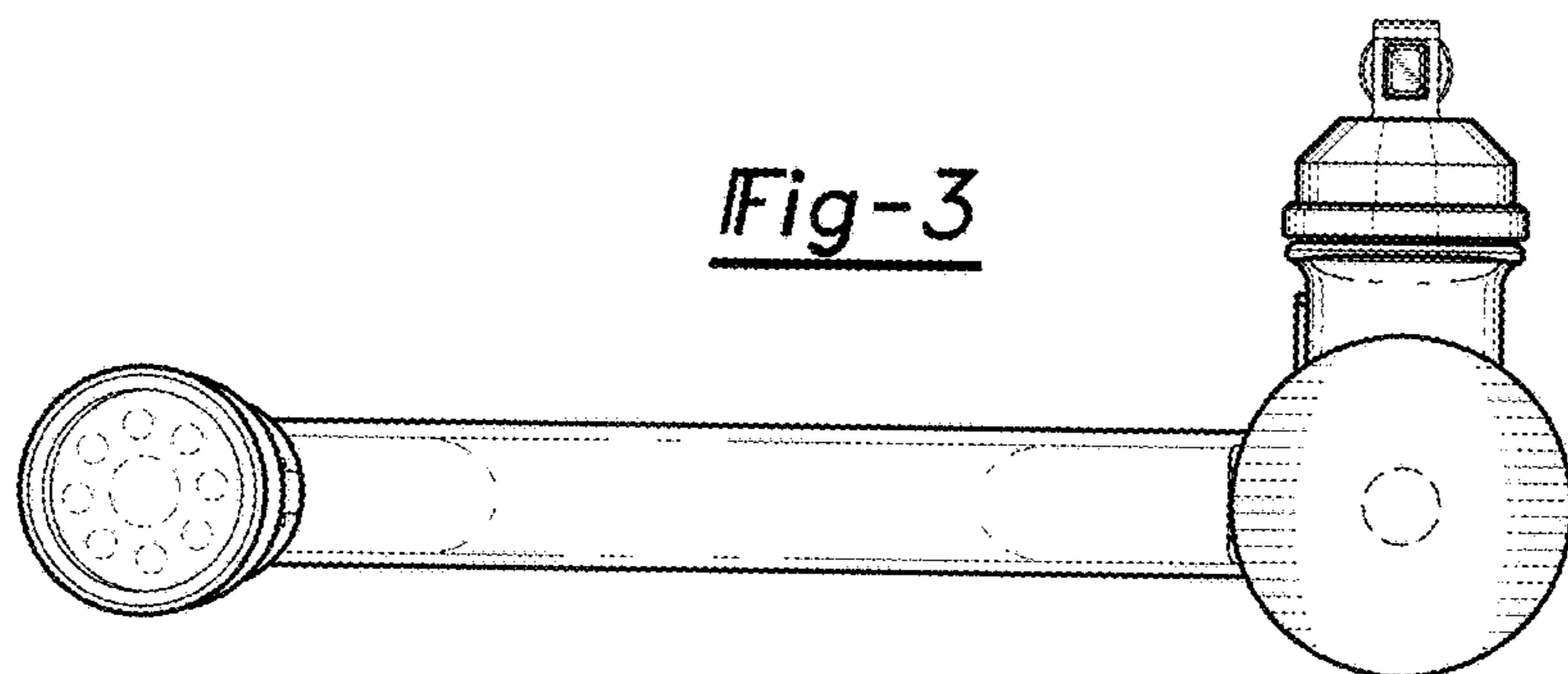


Fig-3

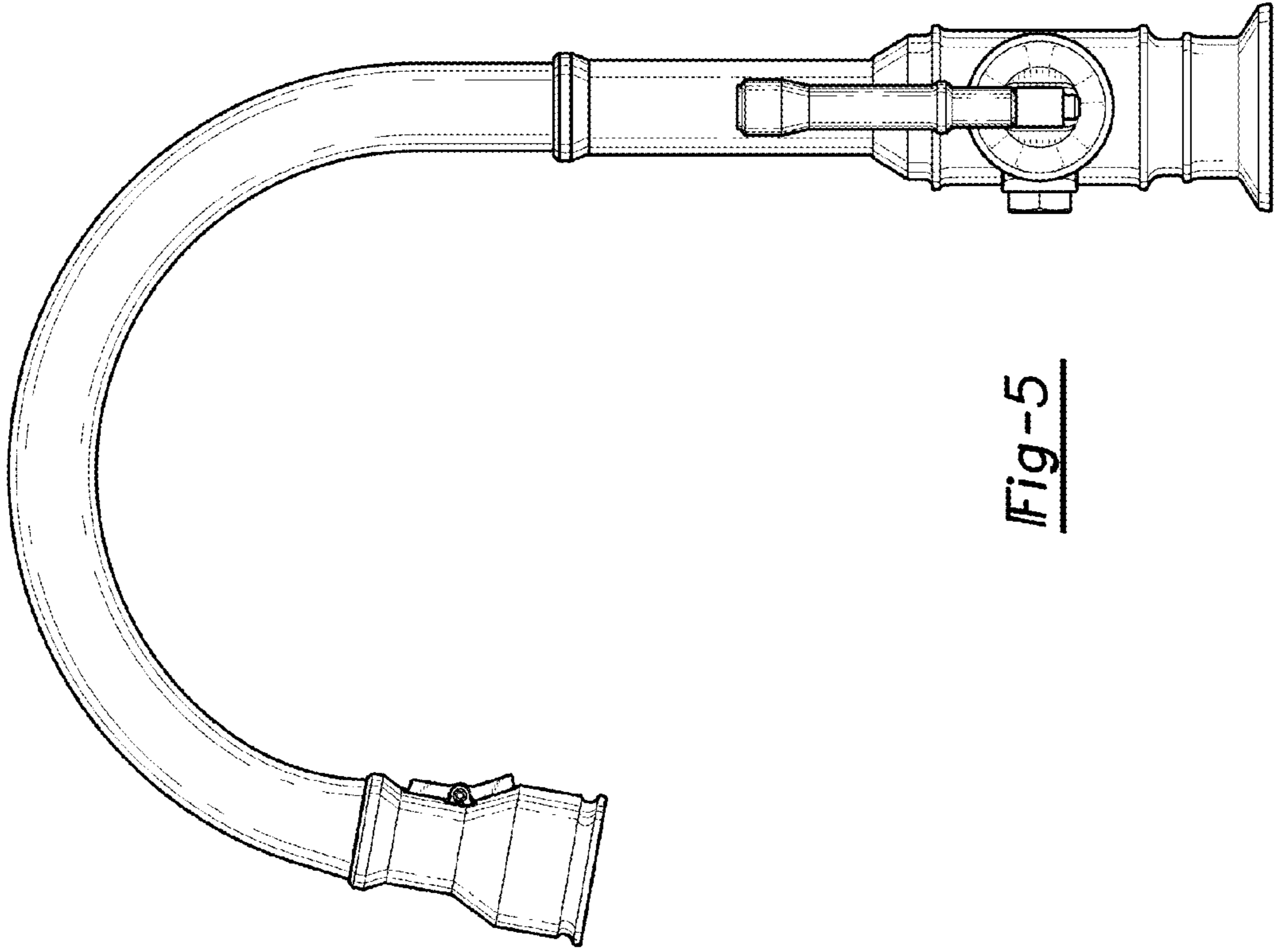


Fig-5

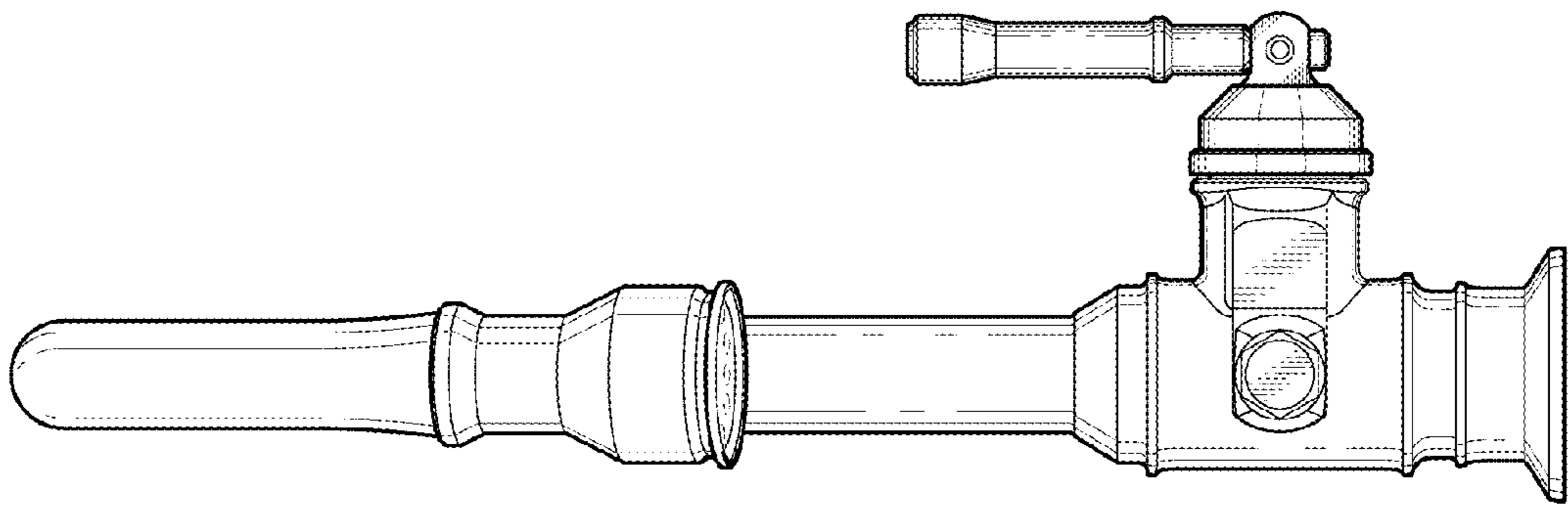


Fig-4

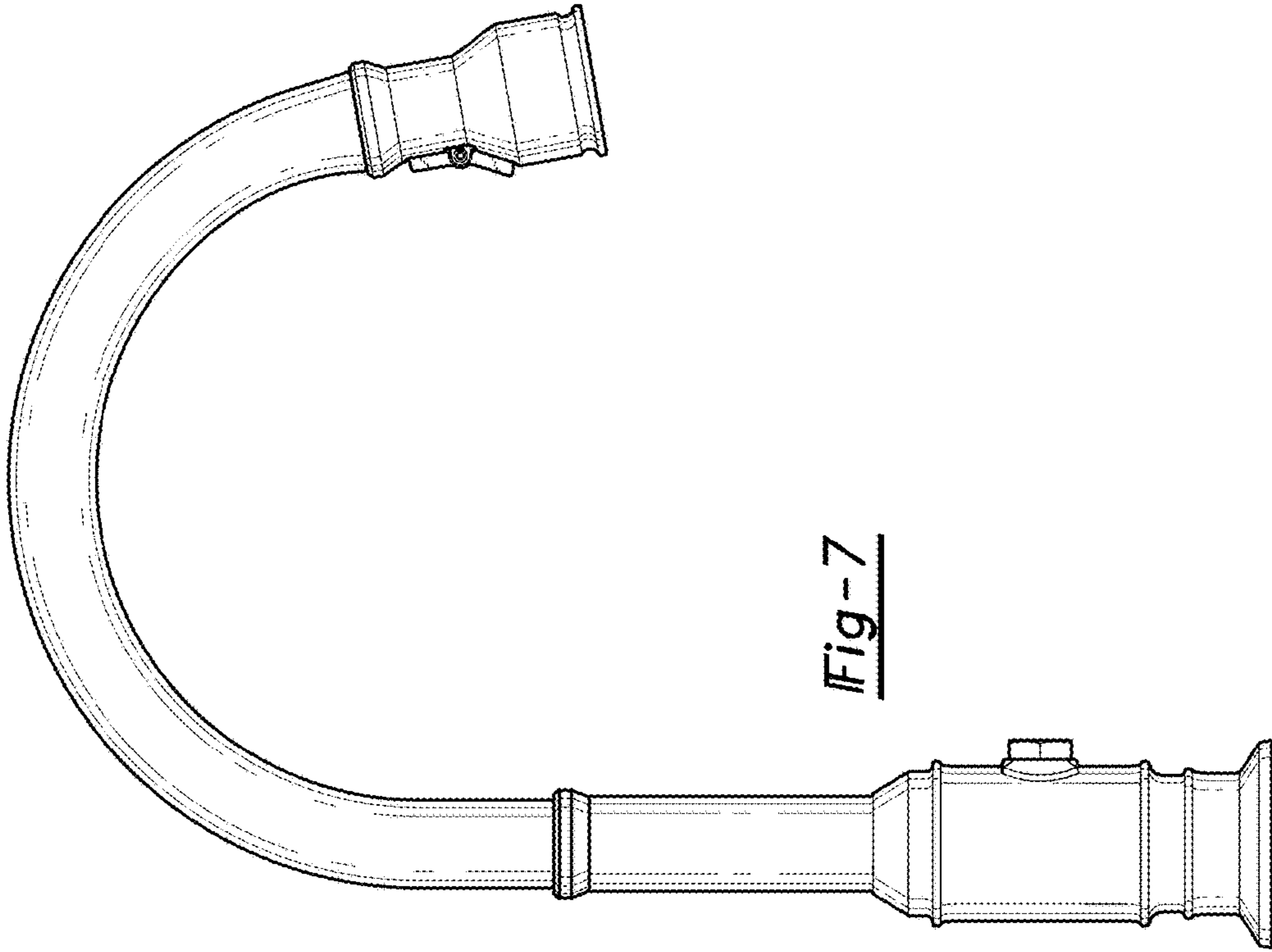


Fig-7

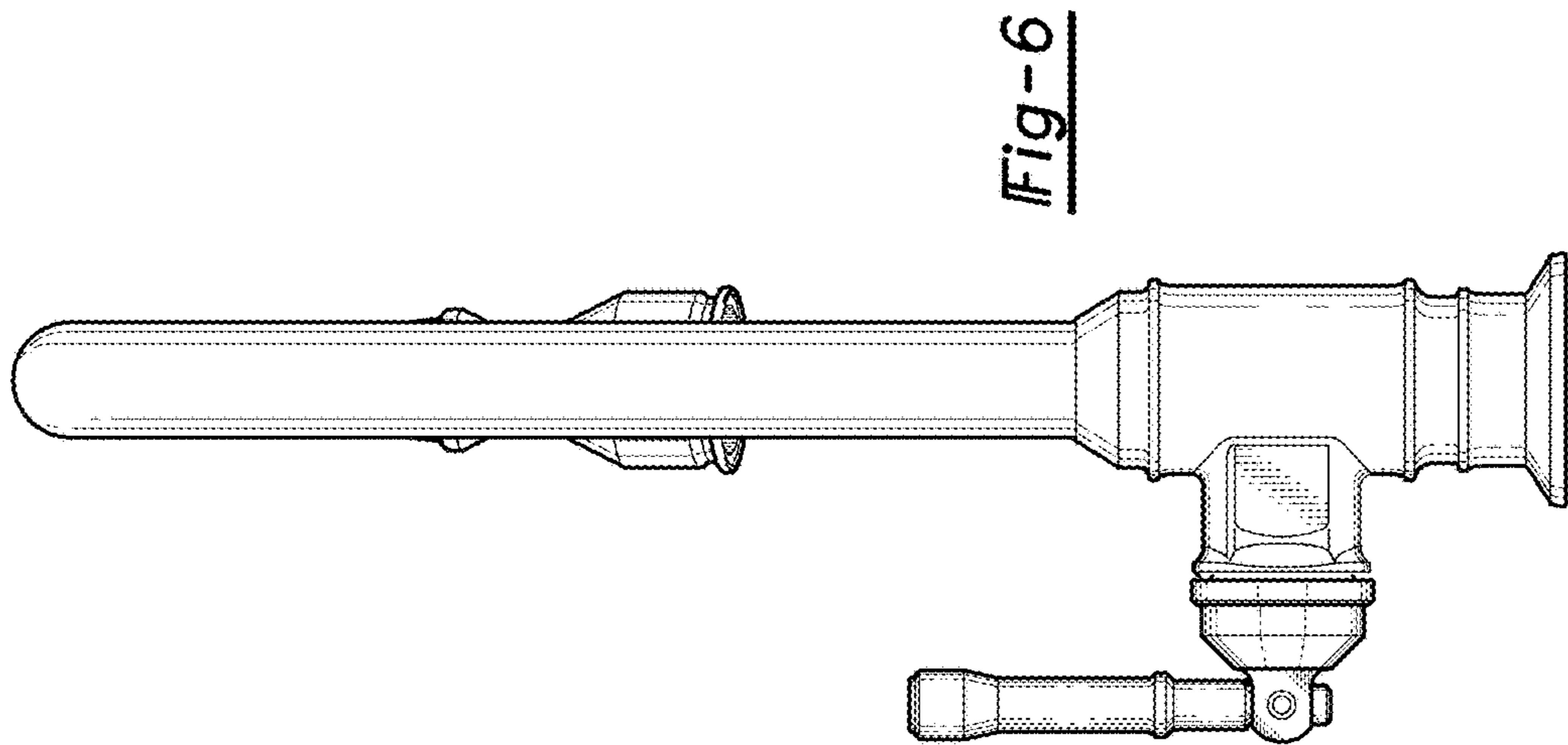


Fig-6