



US00D865121S

(12) **United States Design Patent**
Lamiable

(10) **Patent No.:** **US D865,121 S**

(45) **Date of Patent:** **** Oct. 29, 2019**

(54) **PRESSURE REDUCER**

(71) Applicant: **LUXEMBOURG PATENT COMPANY S.A.**, Lintgen (LU)

(72) Inventor: **Morgan Lamiable**, Lintgen (LU)

(73) Assignee: **LUXEMBOURG PATENT COMPANY S.A.**, Lintgen (LU)

(**) Term: **15 Years**

(21) Appl. No.: **29/632,849**

(22) Filed: **Jan. 10, 2018**

Related U.S. Application Data

(62) Division of application No. 35/500,293, filed on Nov. 13, 2015 (U.S. filing date under 35 U.S.C. 384), and having an international filing date of Nov. 13, 2015, now Pat. No. Des. 812,192.

(51) **LOC (12) Cl.** **23-01**

(52) **U.S. Cl.**
USPC **D23/235**

(58) **Field of Classification Search**
USPC D23/204, 205, 213, 223, 229, 233-237, D23/244, 245; D10/85; 137/116.5, 137/505.25, 505.41, 505.42, 614.2; 251/30.05, 59, 149.2, 149.4, 149.6; D24/108, 110.6, 121, 129, 164, 169
CPC C02F 1/42; C02F 1/4618; C02F 1/4672; C25B 1/16; Y10T 137/0318; Y10T 137/0379; Y10T 137/0491; Y10T 137/2278; Y10T 137/7761

See application file for complete search history.

(56) **References Cited**

U.S. PATENT DOCUMENTS

D291,112 S	7/1987	Clivio	
4,768,548 A	9/1988	Maurer	
D449,093 S	10/2001	Engelbrektsson	
6,505,640 B1	1/2003	Lin	
D526,046 S	8/2006	Lin	
D532,166 S	11/2006	Reverberi	
D592,816 S	5/2009	Chun	
D623,365 S	9/2010	Ediger	
D637,270 S *	5/2011	Nicolia	D23/235
D652,185 S	1/2012	Mu	
D663,496 S	7/2012	Ediger	
D674,462 S	1/2013	Guastella	
9,162,904 B2	10/2015	Guastella	
D768,264 S *	10/2016	Park	D23/233
D812,192 S	3/2018	Lamiable	
2002/0178532 A1	12/2002	Amoretti	

* cited by examiner

Primary Examiner — Keli L Hill

(74) *Attorney, Agent, or Firm* — Greenblum & Bernstein, P.L.C.

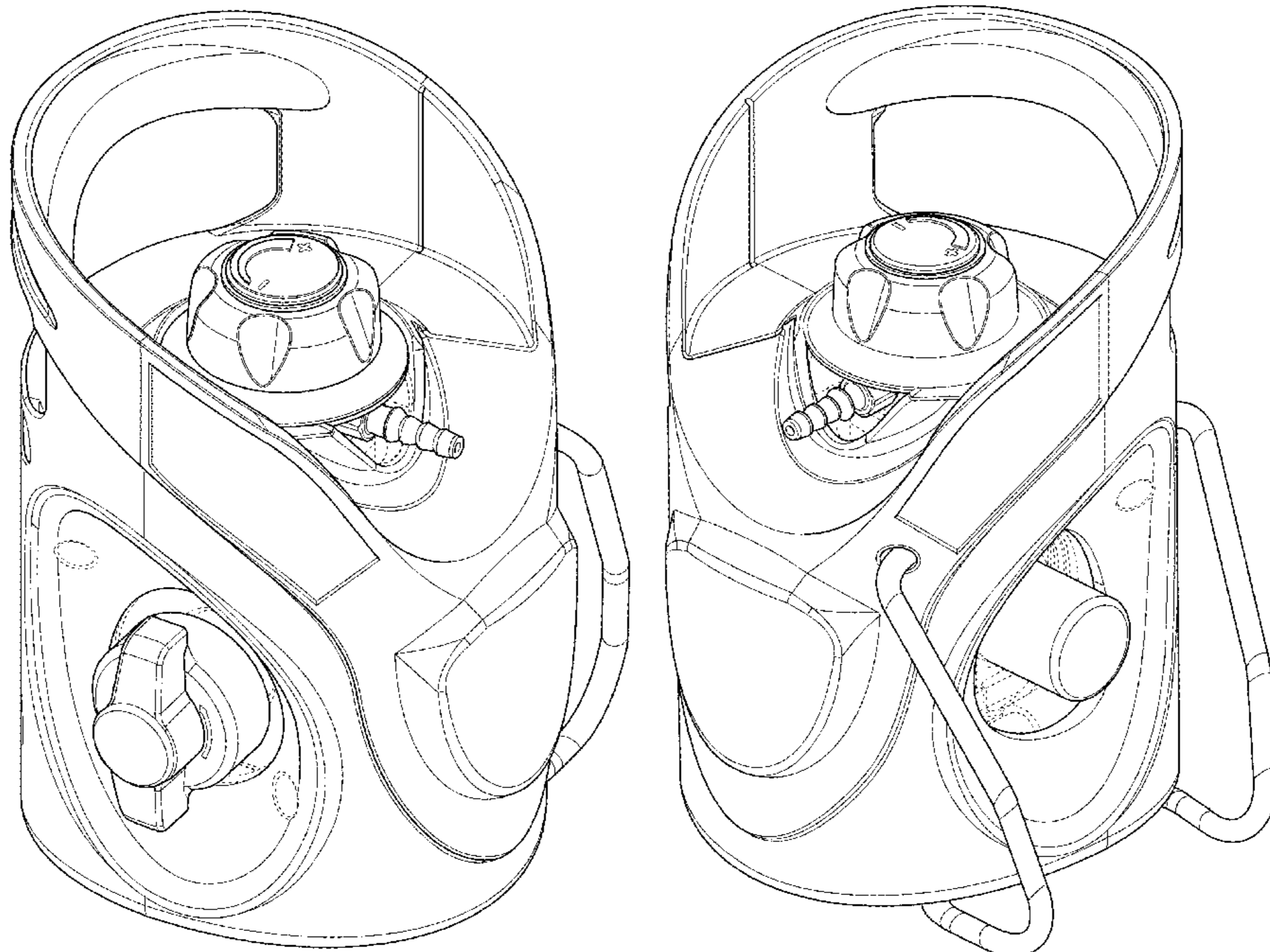
(57) **CLAIM**

I claim the ornamental design for a pressure reducer, as shown and described.

DESCRIPTION

FIG. 1 is a top, front, right side perspective view of a pressure reducer, embodying my new design;
FIG. 2 is a top, front and left side perspective view thereof; and,
FIG. 3 is a right side elevation view thereof.
Any surfaces of the design not shown, including interior surfaces and any surfaces shown in broken lines, form no part of the claimed invention.

1 Claim, 3 Drawing Sheets



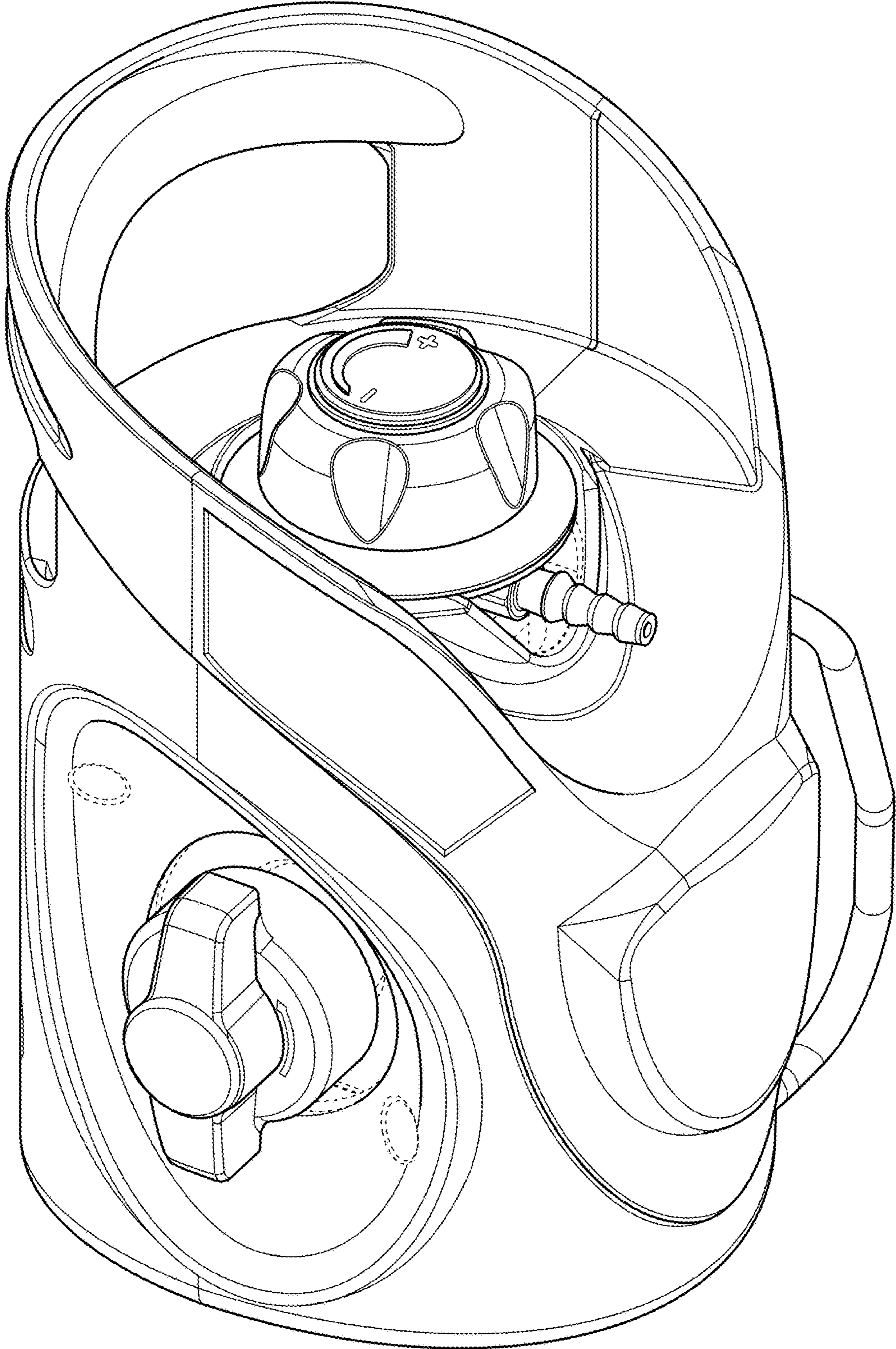


FIG. 1

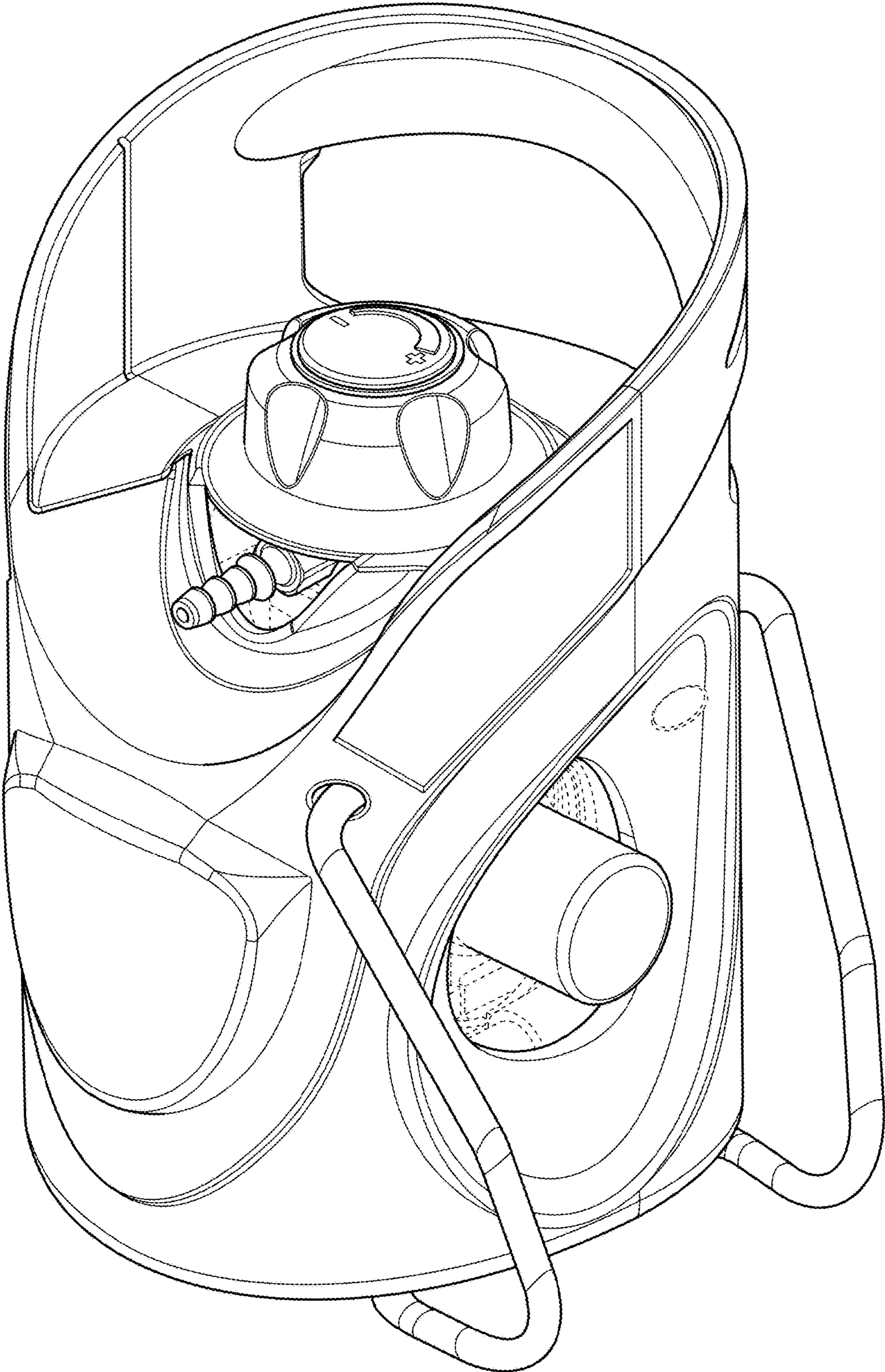


FIG. 2

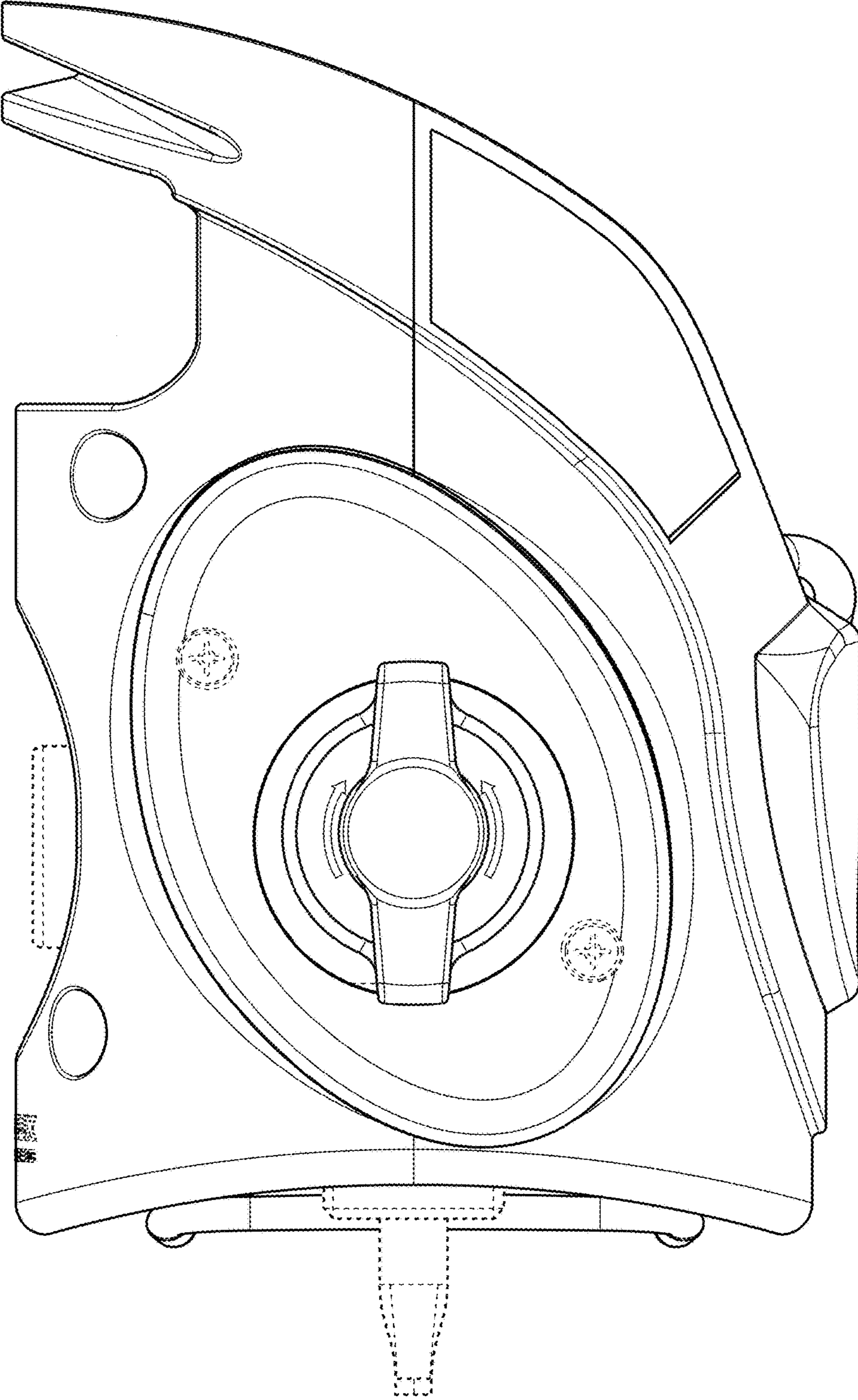


FIG. 3