

US00D865119S

(12) **United States Design Patent** (10) **Patent No.:** **US D865,119 S**
An et al. (45) **Date of Patent:** **** *Oct. 29, 2019**

(54) **WATER PURIFYING FILTER FOR REFRIGERATOR**

CPC B05B 7/0425; E03C 1/08; E03C 1/084; E03C 1/086; E03C 2001/026
See application file for complete search history.

(71) Applicant: **LG Electronics Inc.**, Seoul (KR)

(56) **References Cited**

(72) Inventors: **Siyeon An**, Seoul (KR); **Jimin You**, Seoul (KR)

U.S. PATENT DOCUMENTS

(73) Assignee: **LG ELECTRONICS INC.**, Seoul (KR)

| | | | |
|---------------|---------|-----------------|------------------------|
| D172,354 S | 6/1954 | Line | |
| D288,707 S | 3/1987 | Macevicz et al. | |
| 5,486,288 A | 1/1996 | Stanford et al. | |
| D385,330 S | 10/1997 | Edman et al. | |
| D405,157 S * | 2/1999 | Hayes | D23/209 |
| D422,677 S | 4/2000 | Birdsell et al. | |
| 6,120,685 A * | 9/2000 | Carlson | B01D 35/143 210/232 |
| D615,362 S | 5/2010 | Handel | |
| D621,471 S | 8/2010 | Bock | |
| D679,779 S | 4/2013 | Reid | |
| D712,007 S | 8/2014 | Reid | |
| D752,707 S | 3/2016 | Huda et al. | |
| D758,526 S | 6/2016 | Quail | |
| D773,606 S | 12/2016 | Ruprecht | |
| D794,751 S | 8/2017 | Zou | |

(*) Notice: This patent is subject to a terminal disclaimer.

(**) Term: **15 Years**

(21) Appl. No.: **29/677,017**

(22) Filed: **Jan. 16, 2019**

(Continued)

Related U.S. Application Data

Primary Examiner — Keli L Hill

(63) Continuation of application No. 29/641,956, filed on Mar. 26, 2018, which is a continuation of application No. 35/502,657, filed on Sep. 23, 2016 (U.S. filing date under 35 U.S.C. 384), and having an international filing date of Sep. 23, 2016, now Pat. No. Des. 820,948.

(74) *Attorney, Agent, or Firm* — Birch, Stewart, Kolasch & Birch, LLP

(57) **CLAIM**

The ornamental design for a water purifying filter for refrigerator, as shown and described.

(30) **Foreign Application Priority Data**

DESCRIPTION

Apr. 12, 2016 (KR) 30-2016-0017281

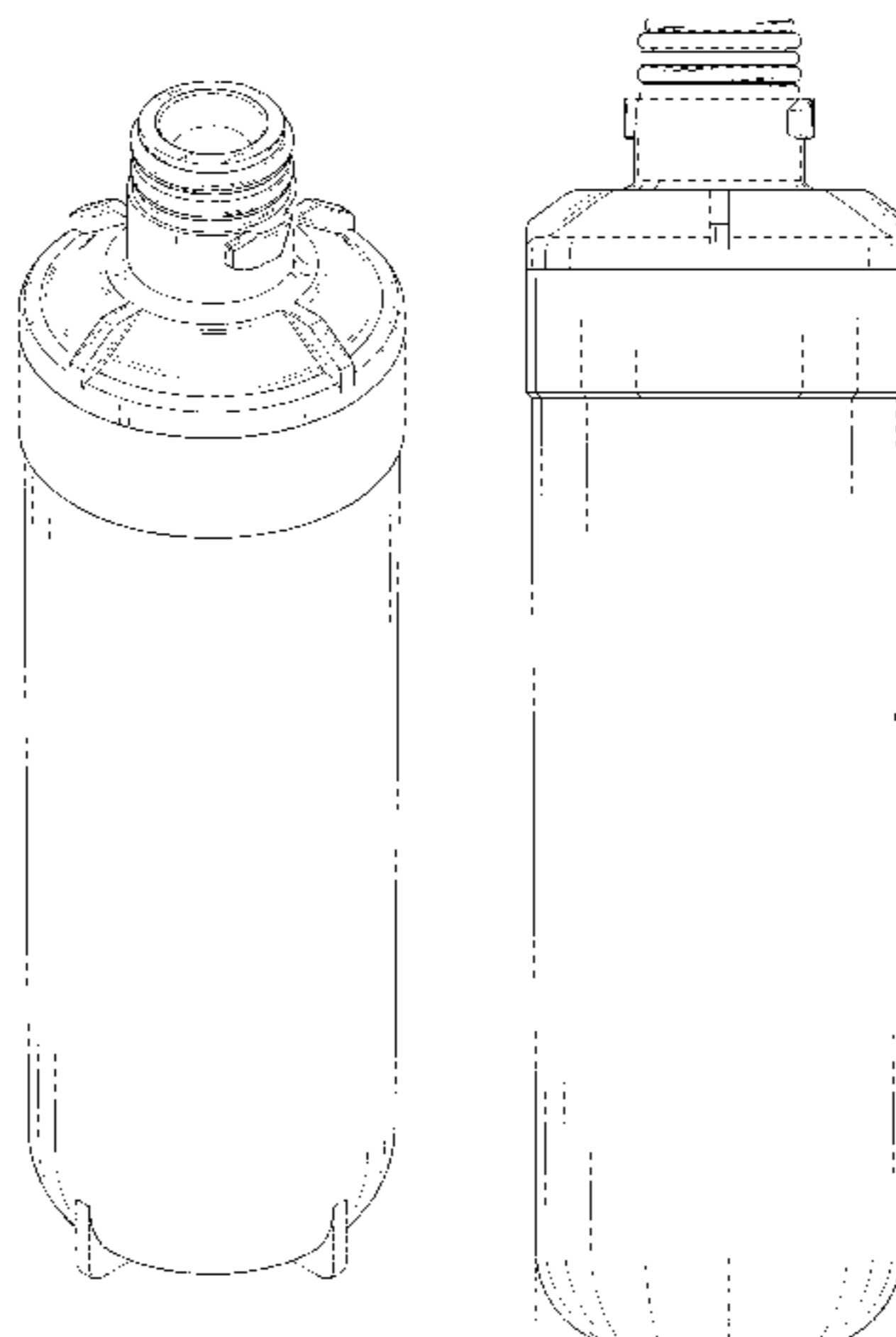
(51) **LOC (12) Cl.** **23-01**

(52) **U.S. Cl.**
USPC **D23/209**

(58) **Field of Classification Search**
USPC D23/202, 205, 207, 209, 235, 249, 259,
D23/260, 262, 313

FIG. 1 is a perspective view of a water purifying filter for refrigerator showing our new design;
FIG. 2 is a front elevation view thereof;
FIG. 3 is a rear elevation view thereof;
FIG. 4 is a left side elevation view thereof;
FIG. 5 is a right side elevation view thereof;
FIG. 6 is a top plan view thereof; and,
FIG. 7 is a bottom plan view thereof.

(Continued)



The broken lines show portions of the water purifying filter for refrigerator that form no part of the claimed design.

1 Claim, 6 Drawing Sheets

(56)

References Cited

U.S. PATENT DOCUMENTS

| | | | |
|-----------------|---------|---------------|------------------------|
| D807,987 S | 1/2018 | Ruprecht | |
| D820,948 S * | 6/2018 | An | D23/209 |
| D827,771 S * | 9/2018 | Zhao | B01D 35/143 D23/209 |
| 10,099,162 B2 * | 10/2018 | Prince | B01D 35/30 |
| D835,752 S * | 12/2018 | Spiegel | D23/209 |
| 2017/0350641 A1 | 12/2017 | Park | |

* cited by examiner

Fig. 1

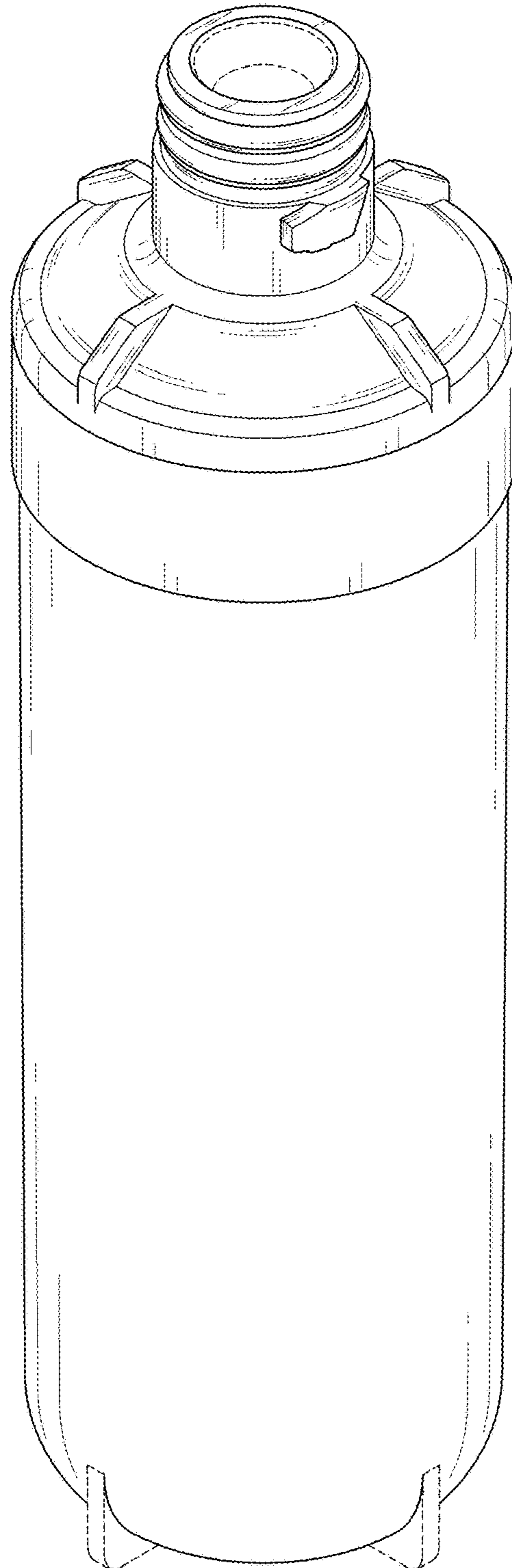


Fig. 2

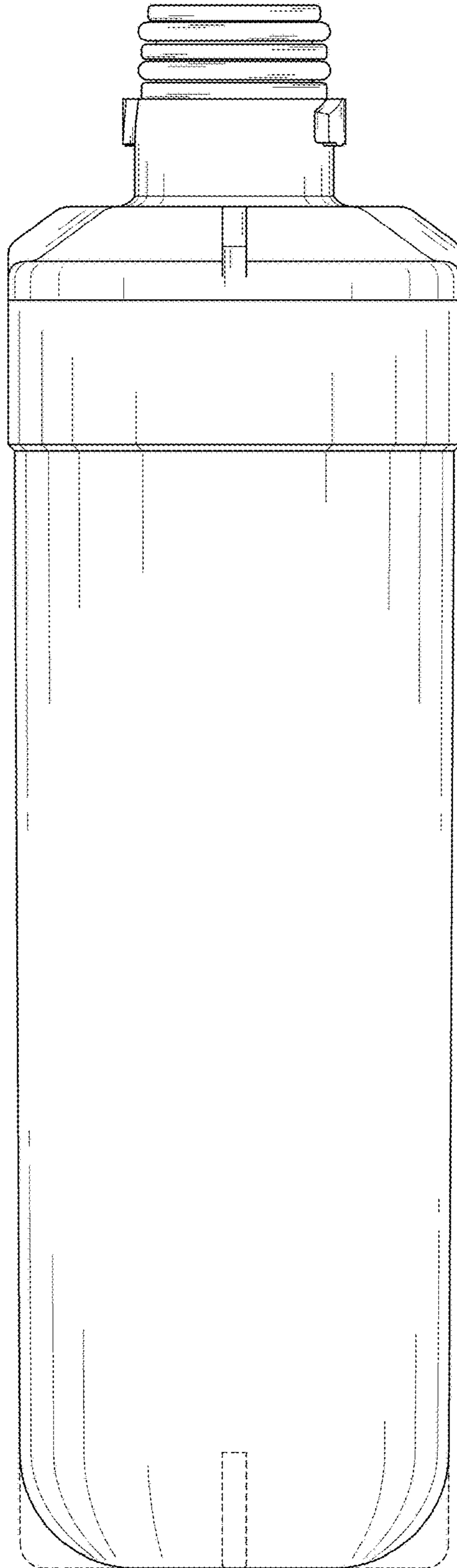


Fig. 3

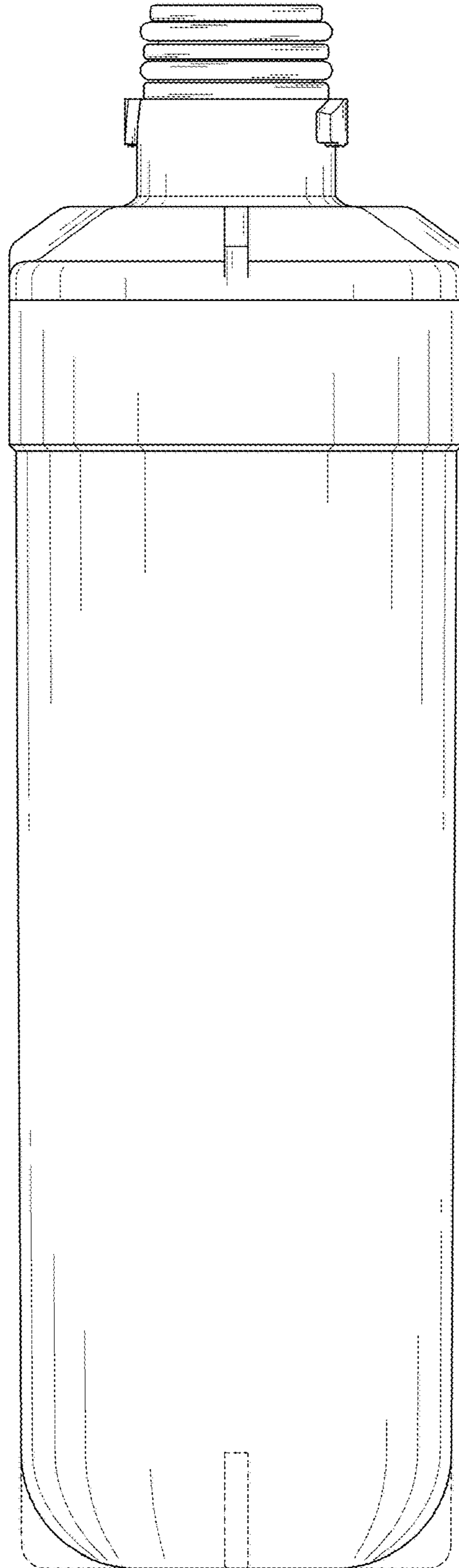


Fig. 4

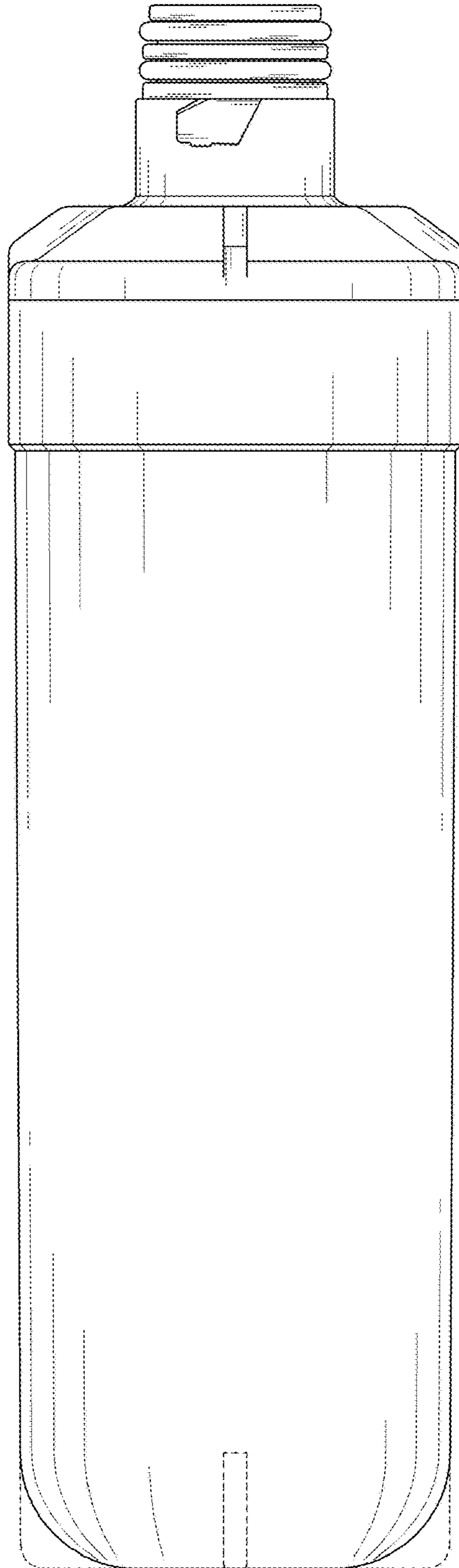


Fig. 5

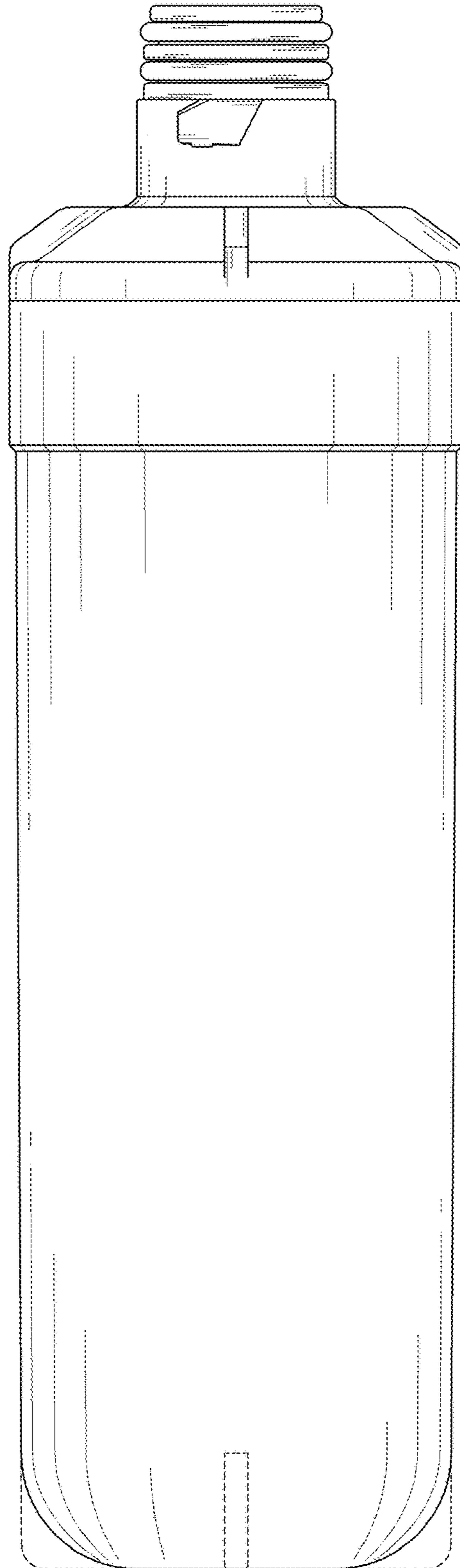


Fig. 6

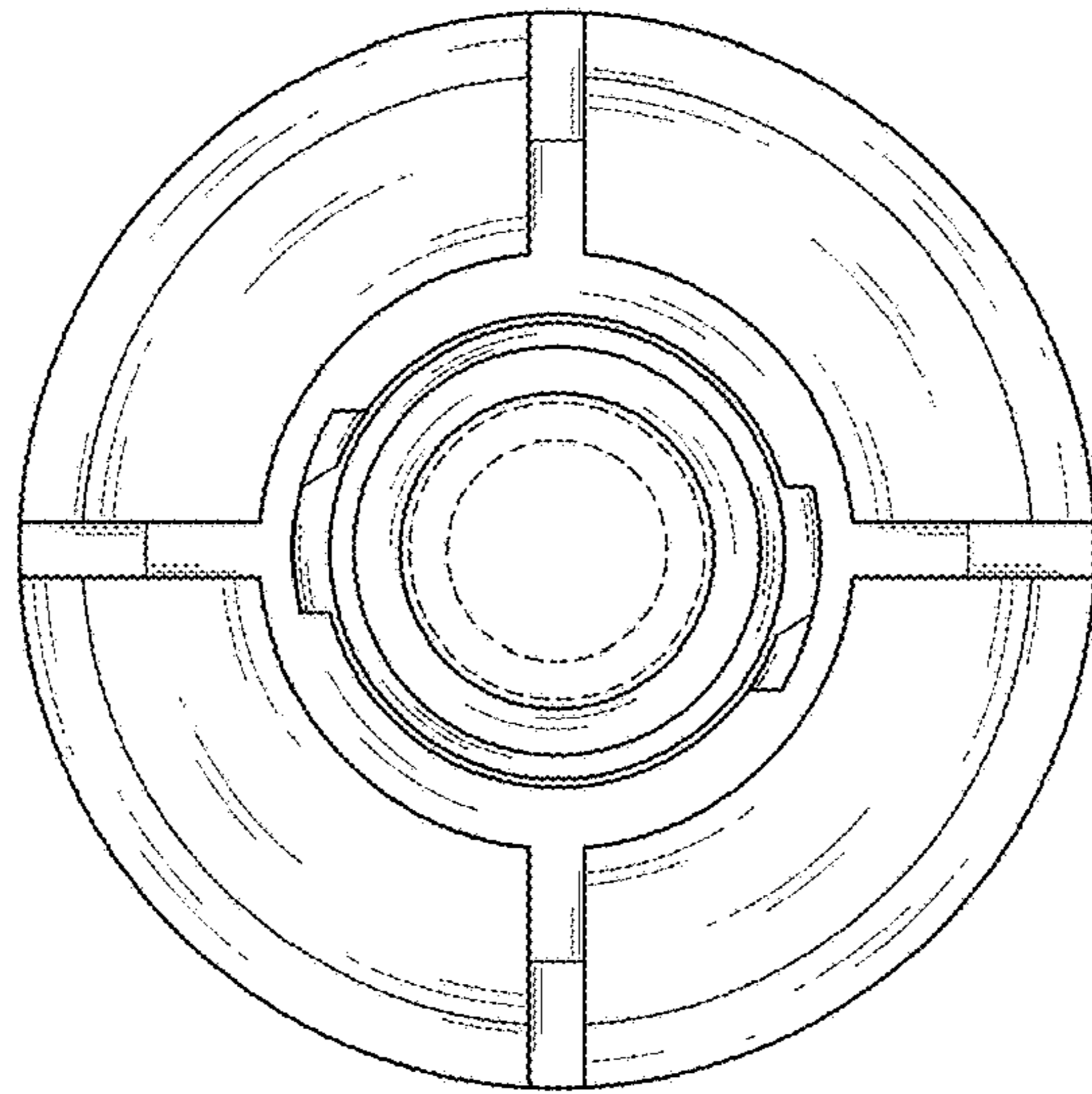


Fig. 7

